



US00D943325S

(12) **United States Design Patent**
Bhakta

(10) **Patent No.:** **US D943,325 S**

(45) **Date of Patent:** **** Feb. 15, 2022**

- (54) **BACK AND SEAT FOR A CHAIR**
- (71) Applicant: **Jayesh Bhakta**, Corona, CA (US)
- (72) Inventor: **Jayesh Bhakta**, Corona, CA (US)
- (**) Term: **15 Years**
- (21) Appl. No.: **29/745,757**
- (22) Filed: **Aug. 7, 2020**
- (51) **LOC (13) Cl.** **06-01**
- (52) **U.S. Cl.**
USPC **D6/716**
- (58) **Field of Classification Search**
USPC D6/334, 366, 367, 374, 375, 379, 380,
D6/716, 716.1, 716.2, 716.4
CPC A47C 1/02; A47C 1/024; A47C 1/03255;
A47C 3/18; A47C 3/20; A47C 7/18;
A47C 7/24; A47C 7/36; A47C 7/38;
A47C 7/40; A47C 7/46; A47C 7/54
See application file for complete search history.

(56) **References Cited**

U.S. PATENT DOCUMENTS

D418,316 S *	1/2000	Vogtherr	D6/366
D437,703 S *	2/2001	Deacon	D6/366
D457,760 S *	5/2002	De Lucchi	D6/366
D473,726 S *	4/2003	Schaefer	D6/366
D496,535 S *	9/2004	Goodworth	D6/366
D543,736 S *	6/2007	Shields	D6/366

D623,447 S *	9/2010	Kubryk	D6/716
7,857,388 B2 *	12/2010	Bedford	A47C 7/40 297/284.7
D662,331 S *	6/2012	Czumaj-Bront	D6/366
D826,586 S *	8/2018	Krob	D6/366
D884,376 S *	5/2020	Pensi	D6/366
D887,157 S *	6/2020	Holbrook	D6/366
2014/0084652 A1 *	3/2014	Norman	A47C 7/24 297/284.1

* cited by examiner

Primary Examiner — R. Johnson

(74) *Attorney, Agent, or Firm* — Morland C. Fischer

(57) **CLAIM**

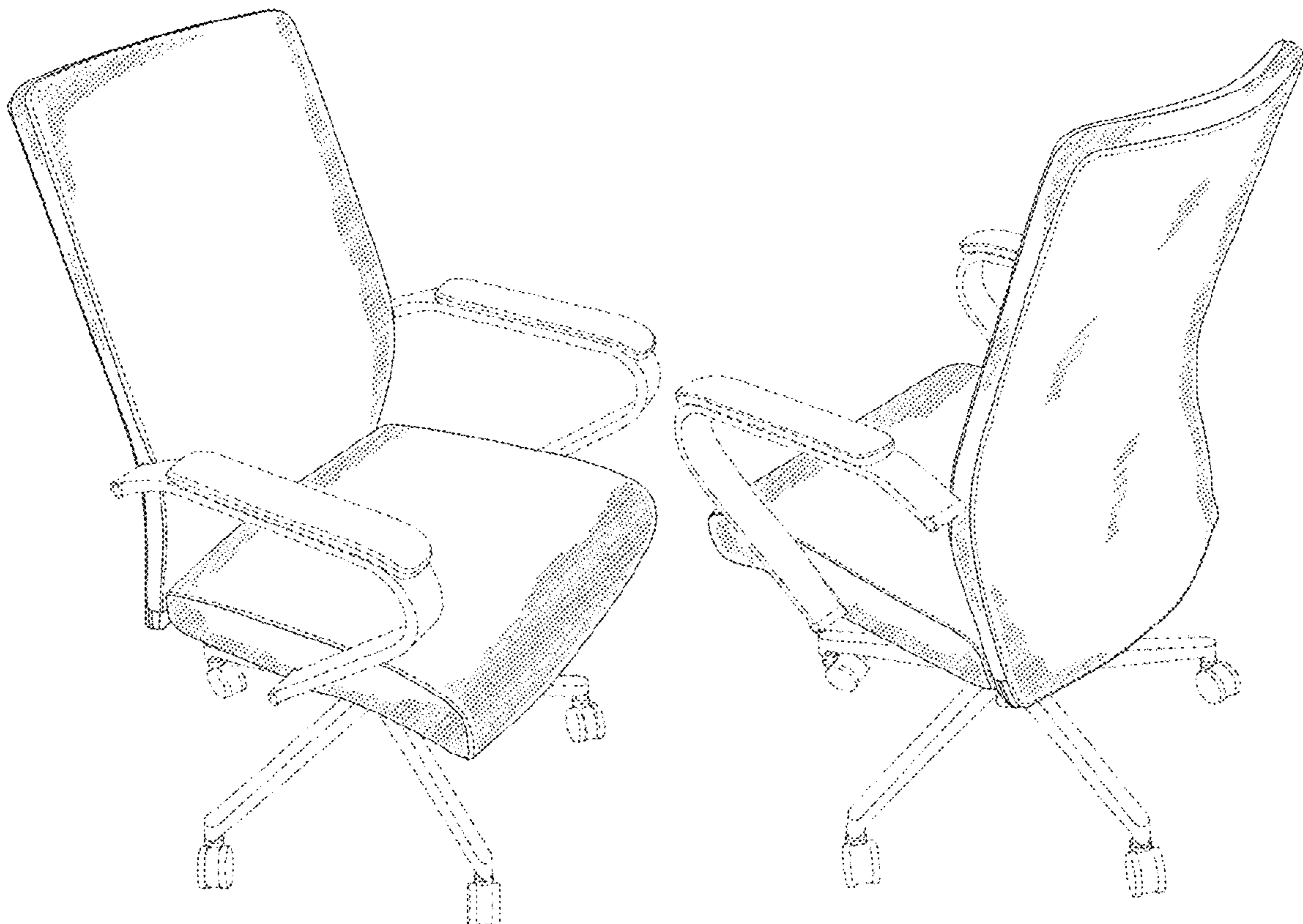
The ornamental design for a back and seat for a chair, as shown and described.

DESCRIPTION

FIG. 1 is a top, right, front perspective view of a back and seat for a chair showing my new design;
 FIG. 2 is a top, left, rear perspective view thereof;
 FIG. 3 is a front elevational view thereof;
 FIG. 4 is a right side elevational view thereof;
 FIG. 5 is a rear elevational view thereof;
 FIG. 6 is a left side elevational view thereof;
 FIG. 7 is a top plan view thereof; and,
 FIG. 8 is a bottom plan view thereof.

The long broken lines in the figures indicate environment that forms no part of the claimed design. The shorter broken lines in the figures represent stitching.

1 Claim, 7 Drawing Sheets



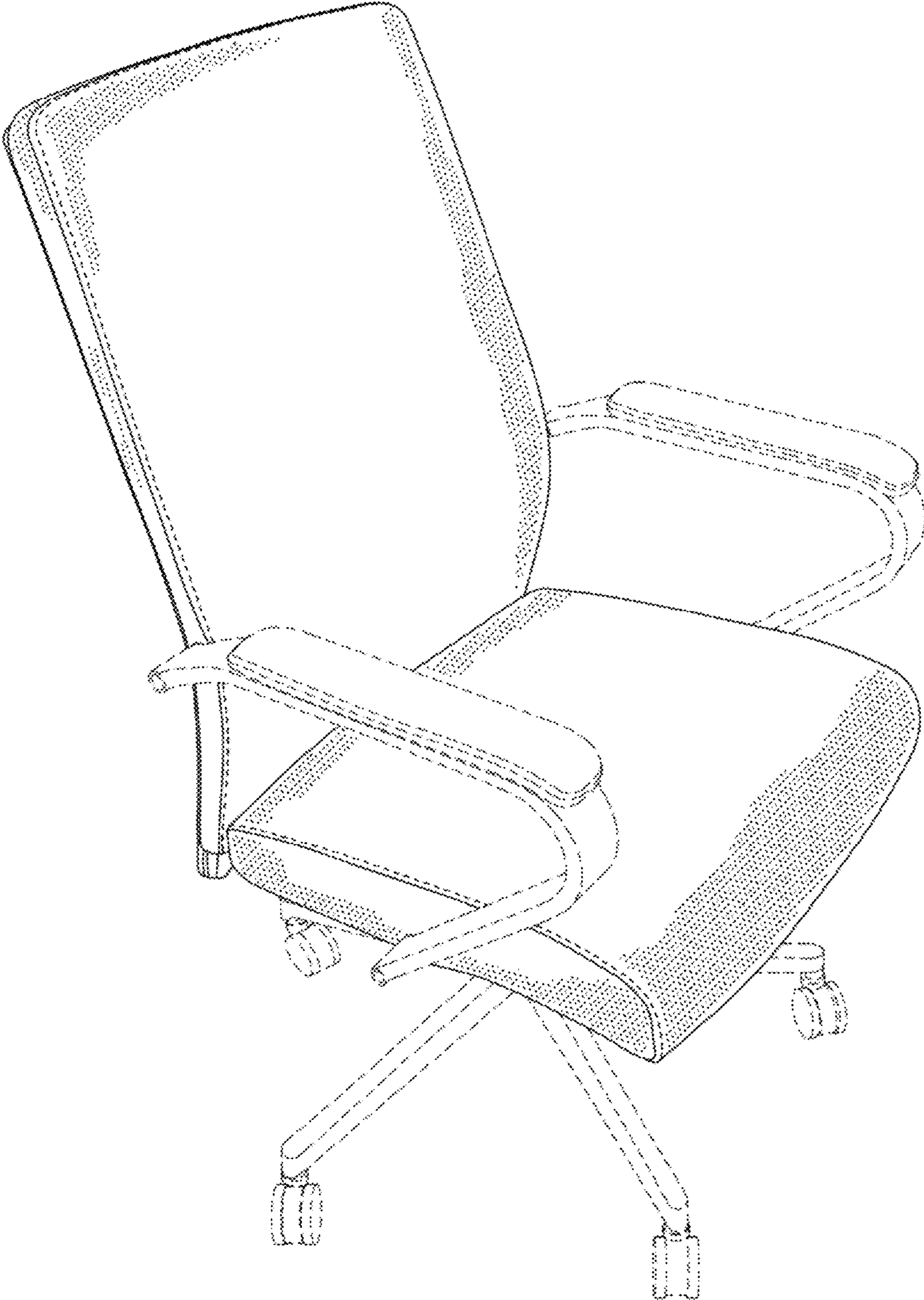


FIG. 1

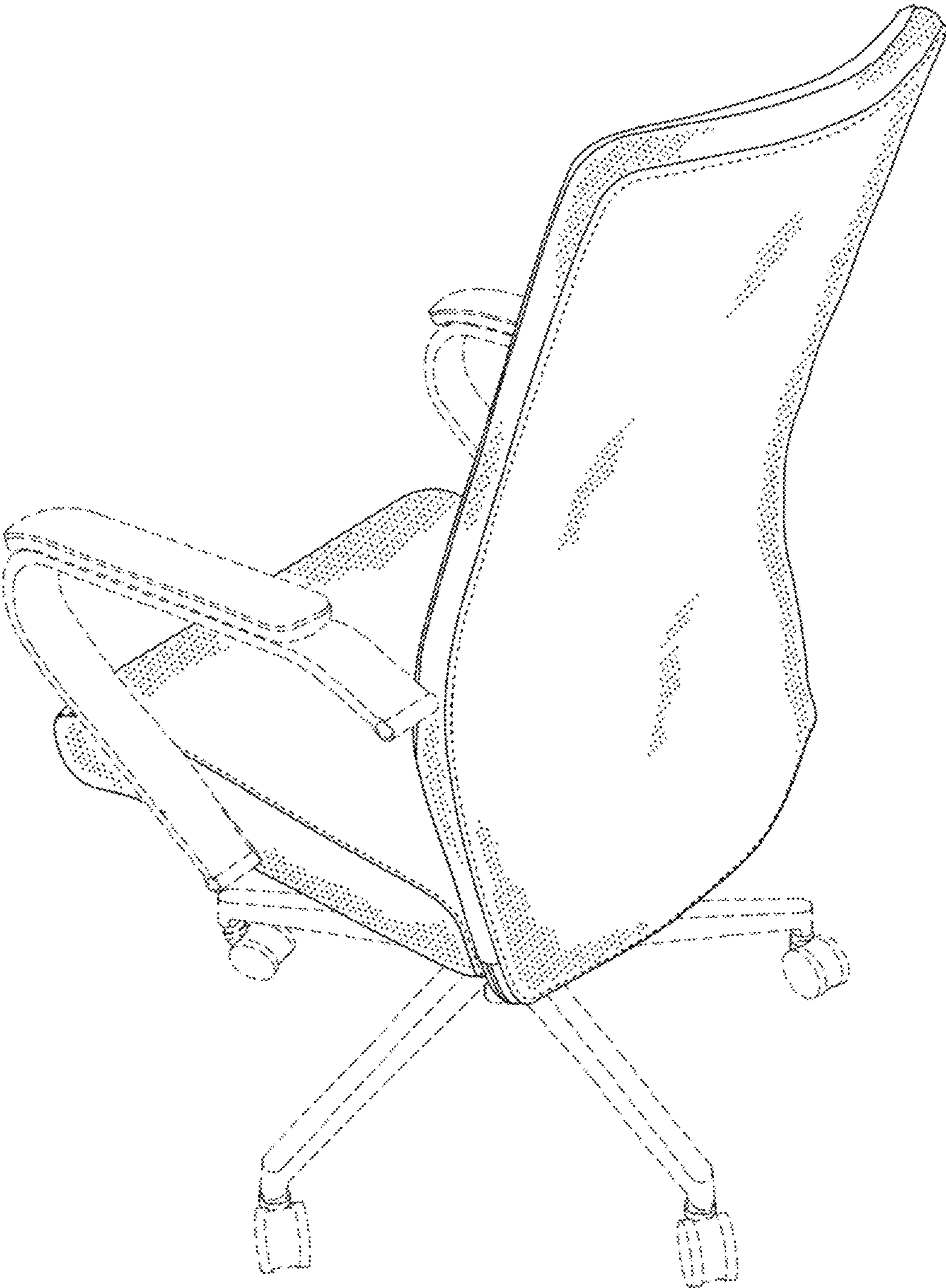


FIG. 2

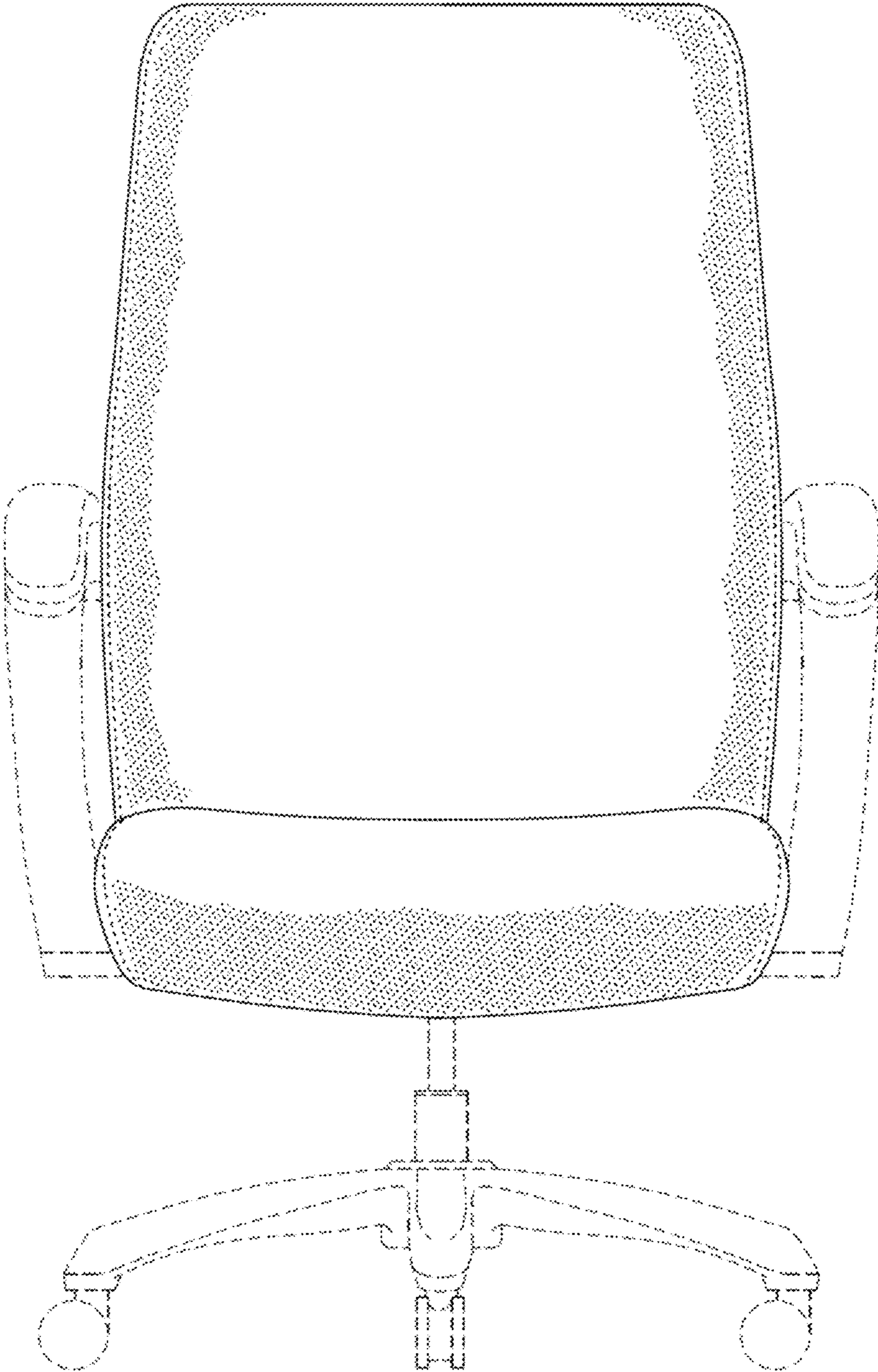


FIG. 3

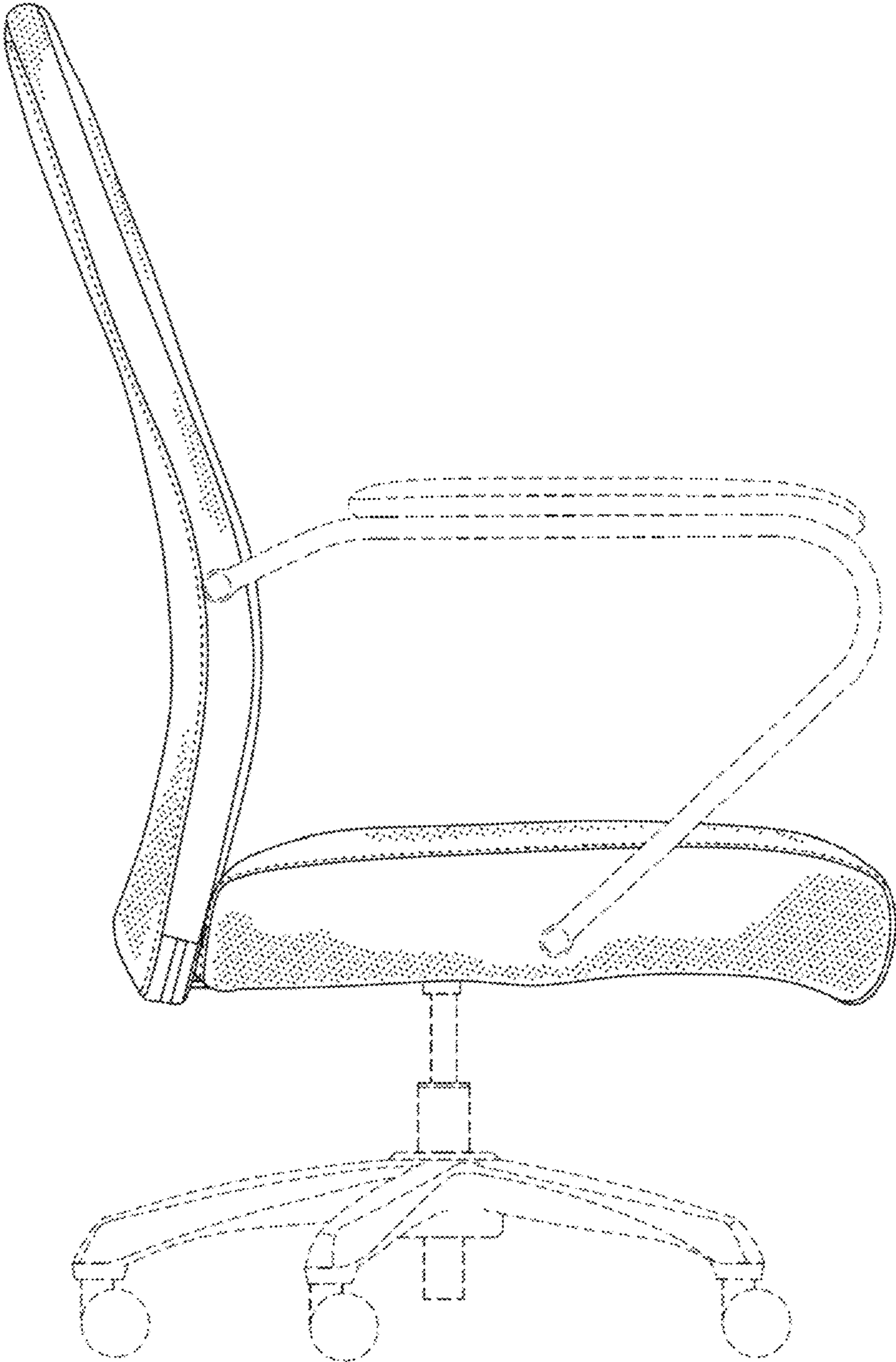


FIG. 4

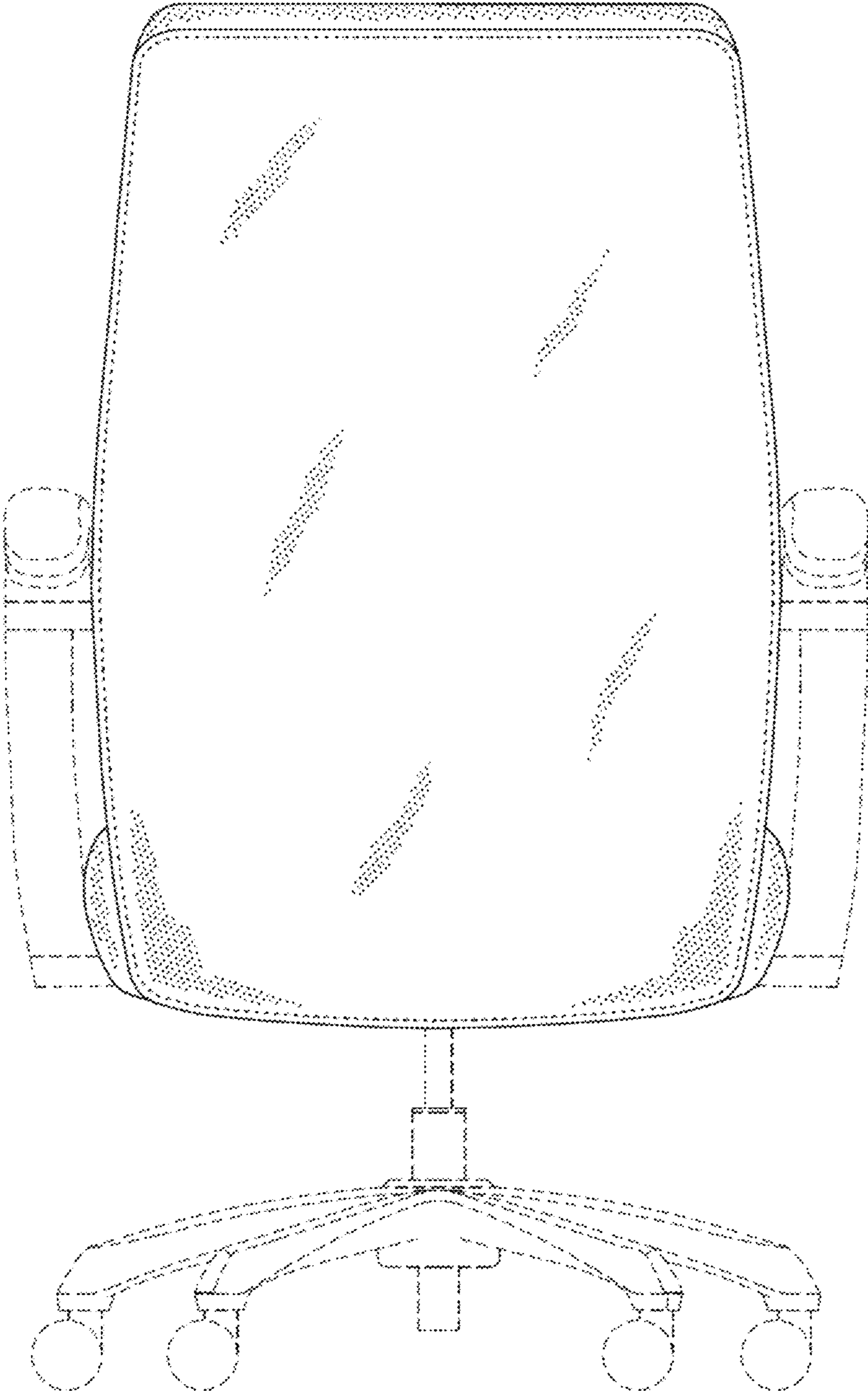


FIG. 5

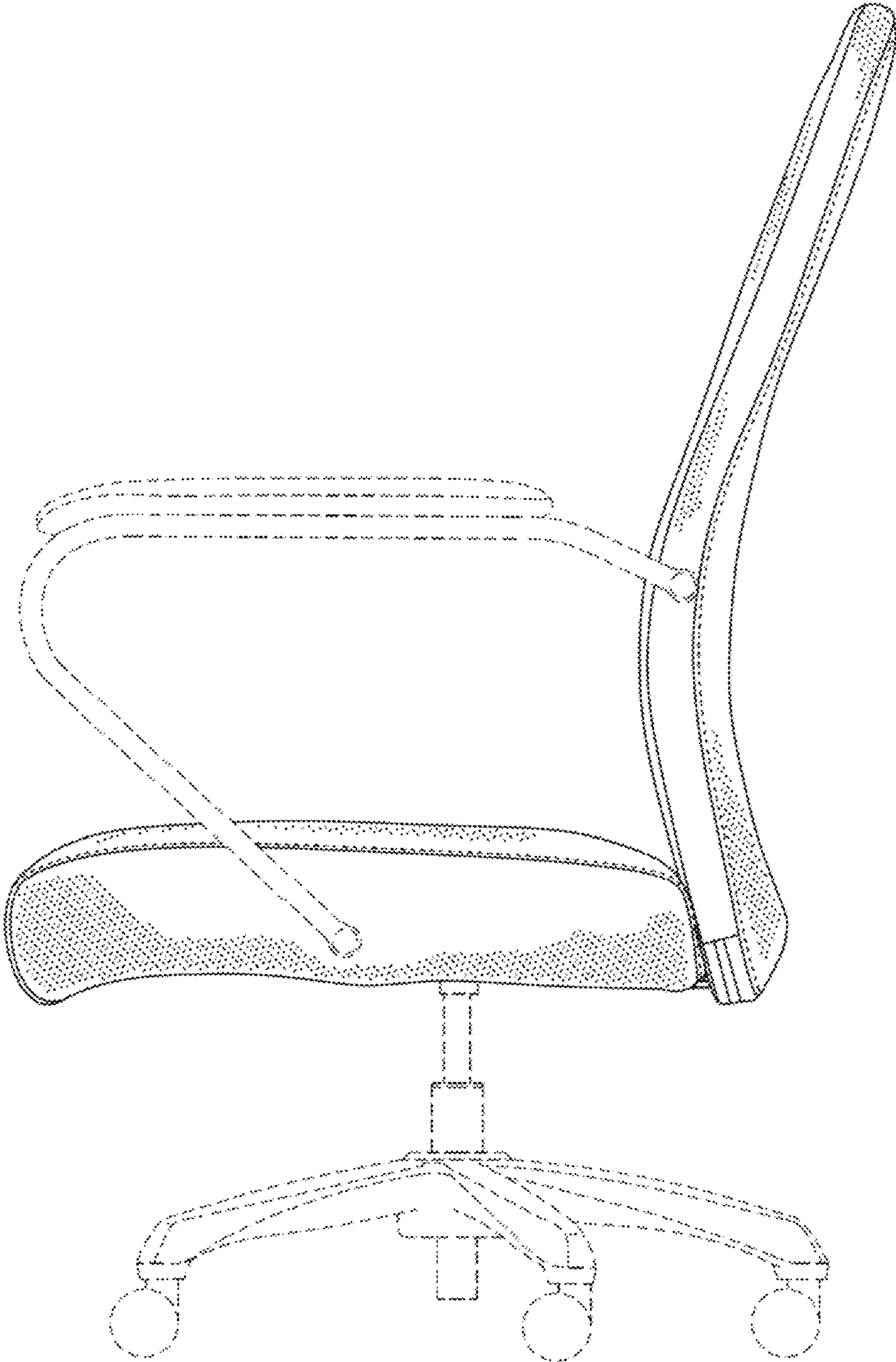


FIG. 6

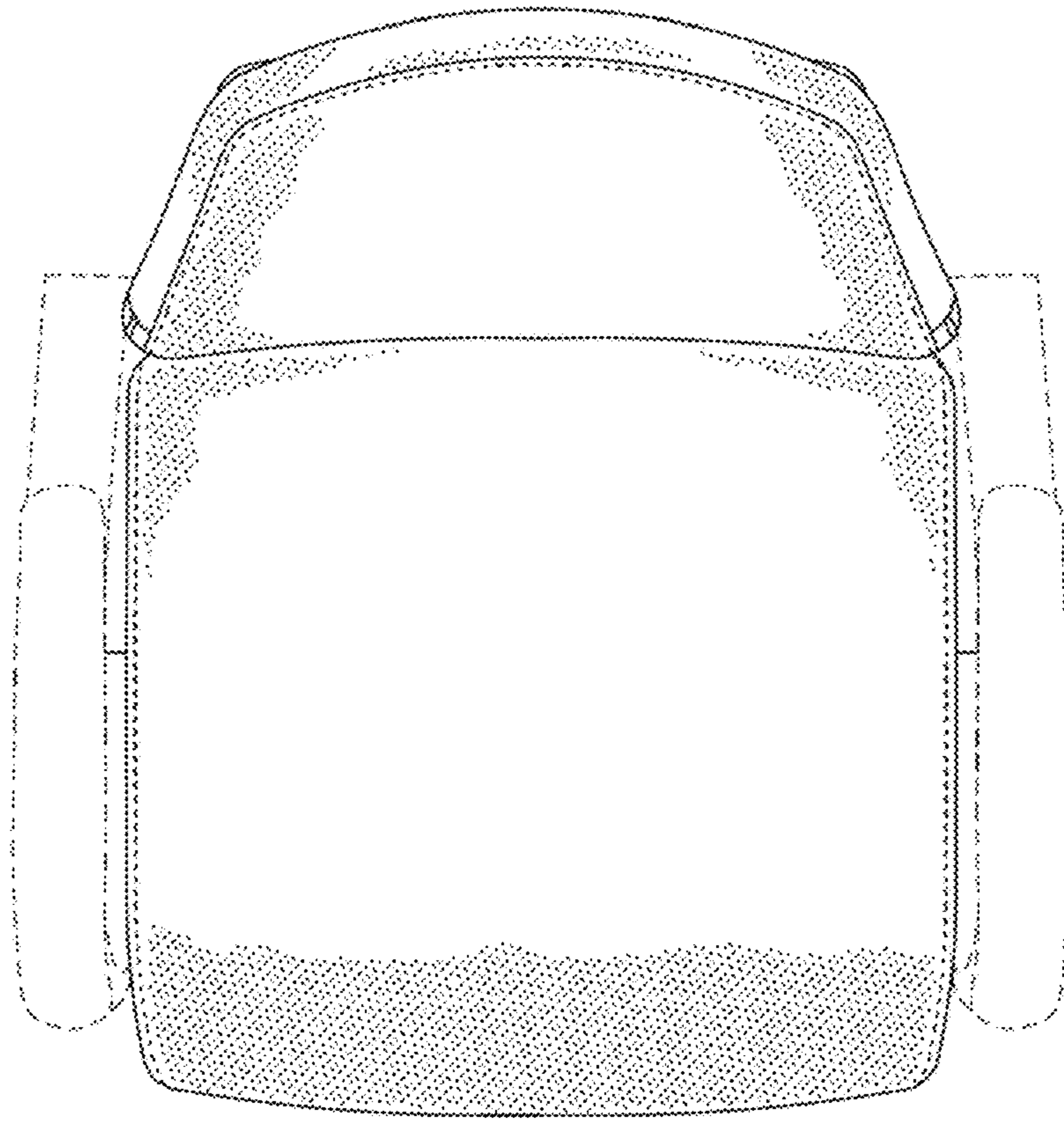


FIG. 7

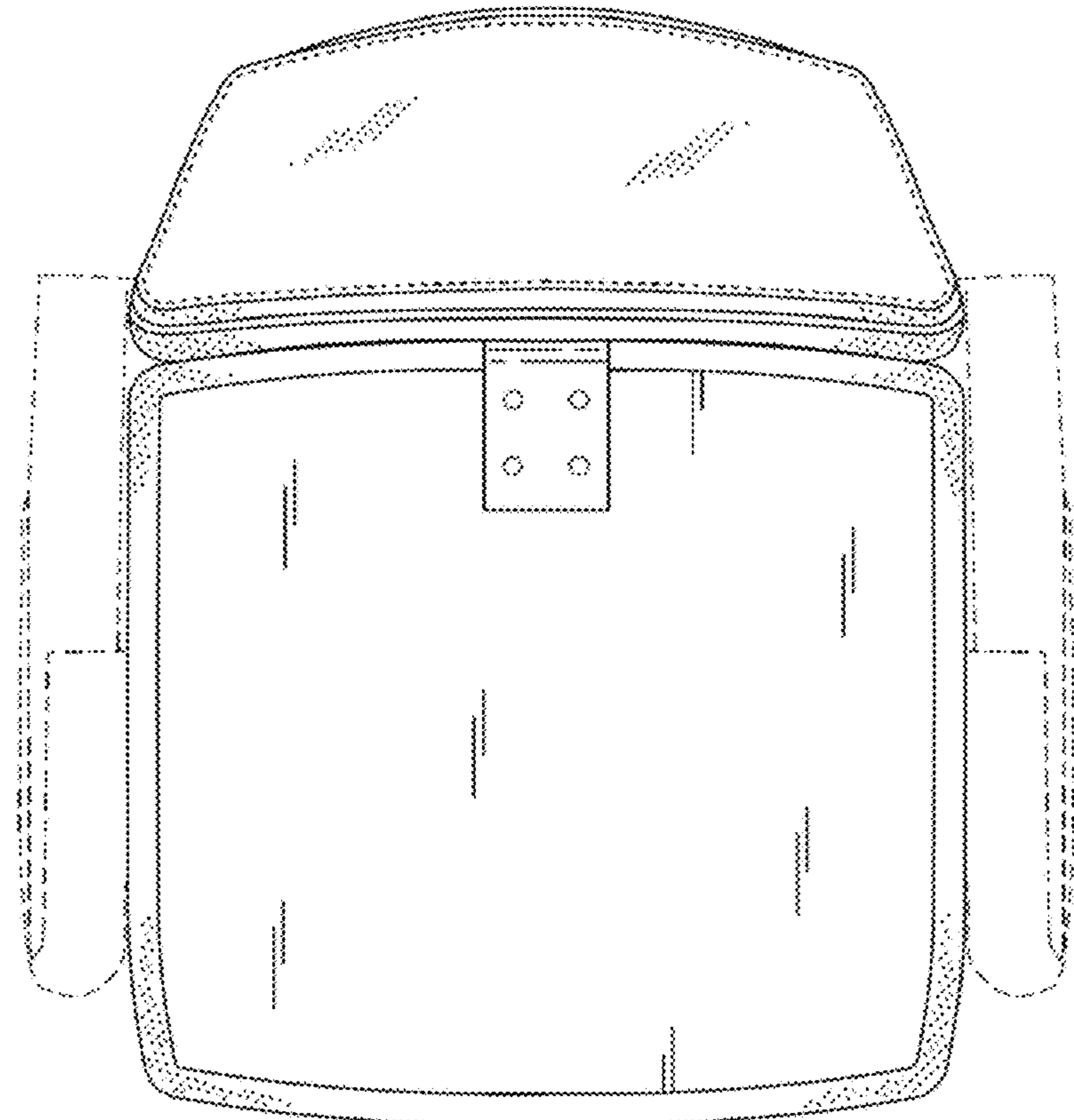


FIG. 8