



US00D943324S

(12) **United States Design Patent**  
**Qiu**

(10) **Patent No.:** **US D943,324 S**  
(45) **Date of Patent:** **\*\* Feb. 15, 2022**

(54) **DESK FRAME**

(71) Applicant: **KANUODISI (GUANGZHOU) FURNITURE CO., LTD.**, Guangzhou (CN)

(72) Inventor: **Min Qiu**, Foshan (CN)

(73) Assignee: **KANUODISI (GUANGZHOU) FURNITURE CO., LTD.**, Guangzhou (CN)

(\*\*) Term: **15 Years**

(21) Appl. No.: **29/778,171**

(22) Filed: **Apr. 12, 2021**

(51) **LOC (13) Cl.** ..... **06-06**

(52) **U.S. Cl.**  
USPC ..... **D6/708**

(58) **Field of Classification Search**  
USPC ..... D6/641, 642, 656, 684-686, 702, 708, D6/708.16, 708.17, 708.22, 709, 709.2, D6/709.21, 710

CPC .... A47B 3/00; A47B 3/02; A47B 3/12; A47B 7/00; A47B 13/00; A47B 13/003; A47B 13/02; A47B 13/06; A47B 17/00; A47B 21/00; A47B 43/00; A47B 2200/0001; A47B 2200/0011; A47B 2200/0012; A47B 2200/0013; A47B 2200/0016; A47B 2200/0017; A47B 2200/002; A47B 2200/0021; A47B 2200/004

See application file for complete search history.

(56) **References Cited**

**U.S. PATENT DOCUMENTS**

D596,881 S 7/2009 Kitada  
D783,329 S \* 4/2017 Merritt ..... D6/708

D812,947 S \* 3/2018 Tseng ..... D6/708  
D840,178 S \* 2/2019 Herring ..... D6/656  
D891,160 S \* 7/2020 Karlsson ..... A47B 21/03  
D6/691.5  
D907,420 S \* 1/2021 Liu ..... A47B 13/003  
D6/708.23  
D915,809 S \* 4/2021 Ko ..... B25H 1/06  
D6/708  
2010/0163342 A1 \* 7/2010 Rondreux ..... B25H 1/06  
182/155  
2019/0039157 A1 \* 2/2019 Hanrahan ..... B25H 1/12  
2020/0260862 A1 \* 8/2020 Knapp ..... A47B 21/03  
2021/0100355 A1 \* 4/2021 Jorgensen ..... A47B 3/0809  
2021/0219712 A1 \* 7/2021 Gold ..... A47B 13/003

\* cited by examiner

*Primary Examiner* — Mary Ann Calabrese

(57) **CLAIM**

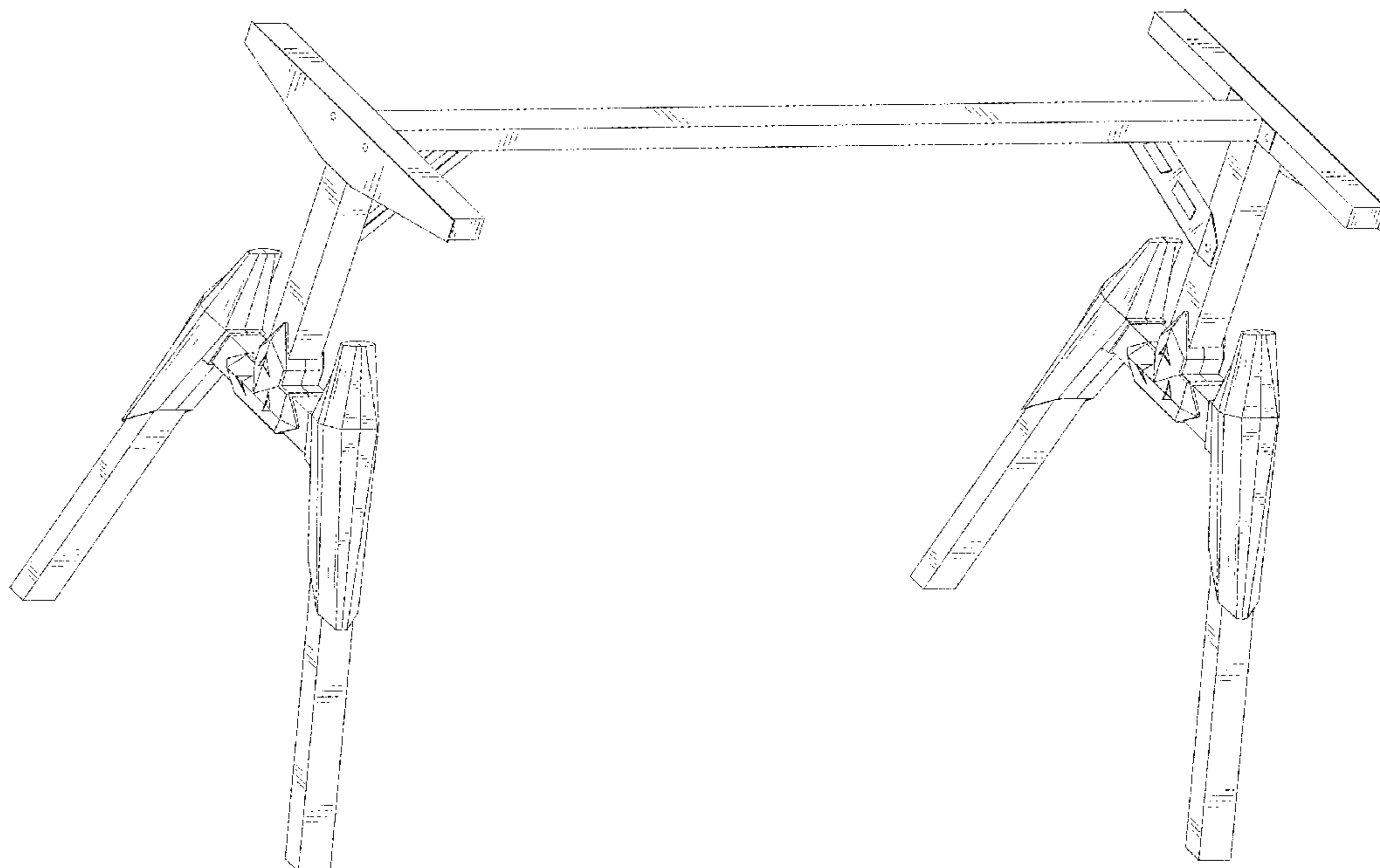
The ornamental design for a desk frame, as shown and described.

**DESCRIPTION**

FIG. 1 is a front perspective view of a desk frame showing my new design;  
FIG. 2 is a rear perspective view thereof;  
FIG. 3 is a front elevational view thereof;  
FIG. 4 is a rear elevational view thereof;  
FIG. 5 is a left side elevational view thereof;  
FIG. 6 is a right side elevational view thereof;  
FIG. 7 is a top plan view thereof; and,  
FIG. 8 is a bottom plan view thereof.

The broken lines in the drawings depict portions of the desk frame that form no part of the claimed design.

**1 Claim, 8 Drawing Sheets**



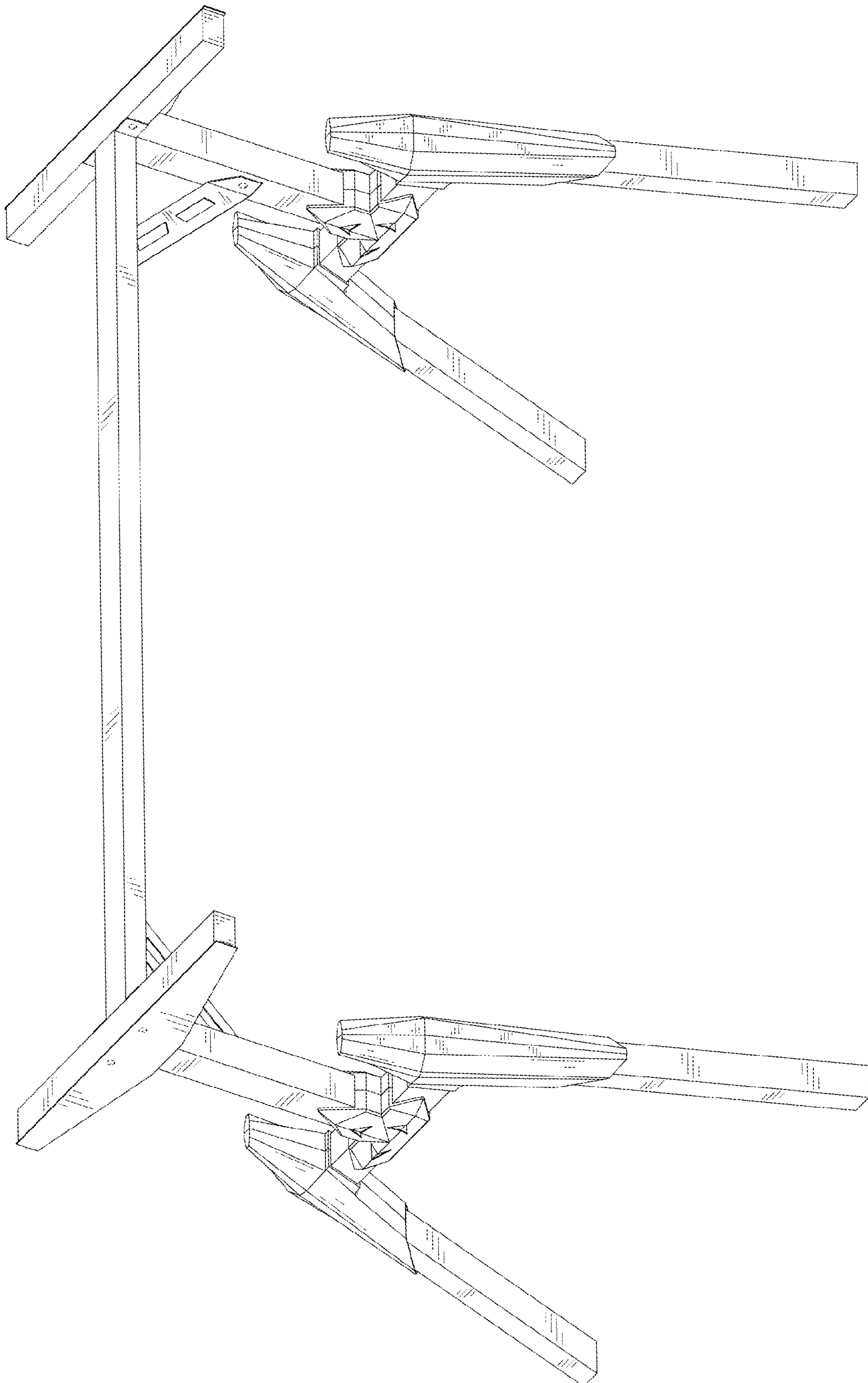


FIG. 1

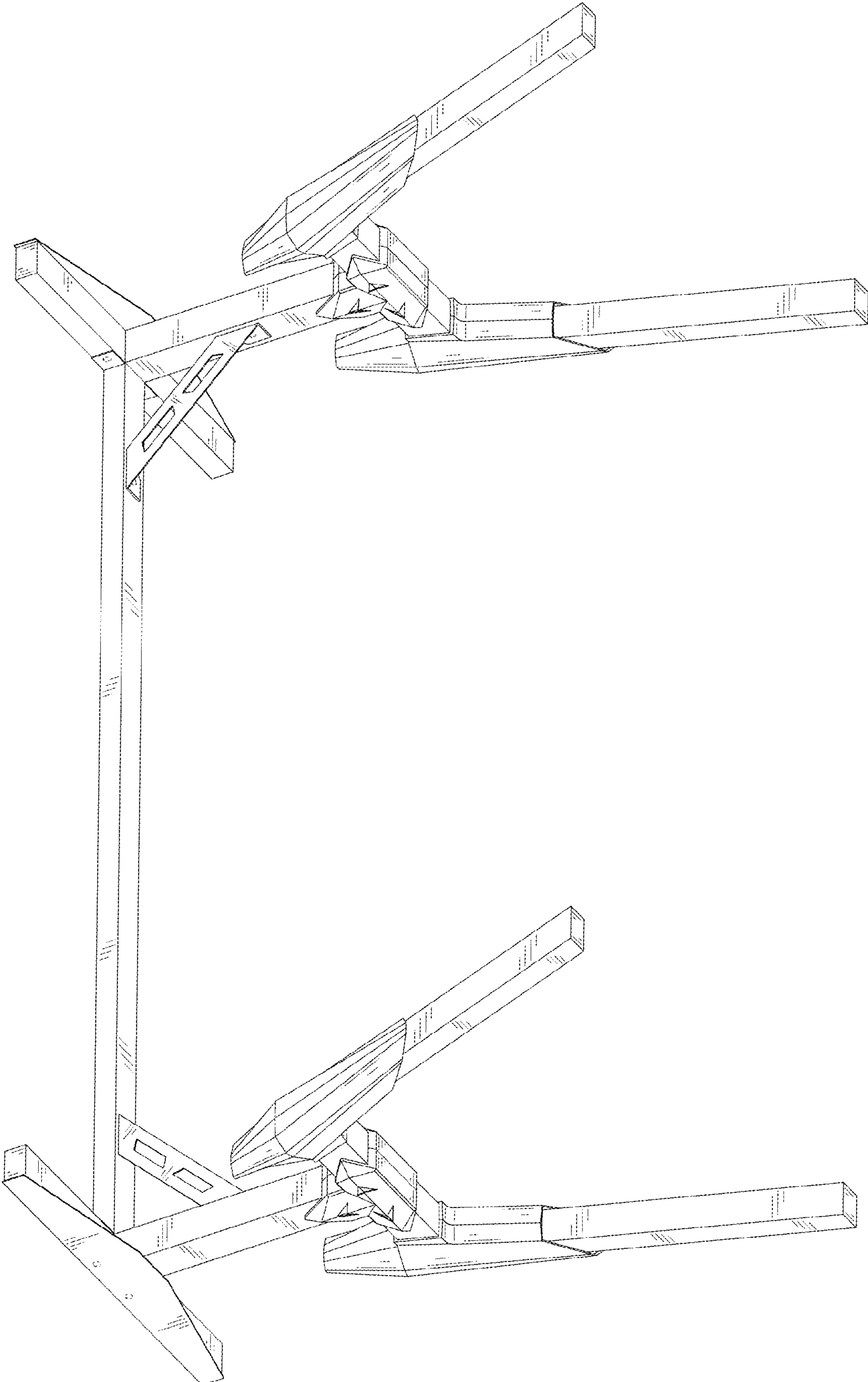


FIG. 2

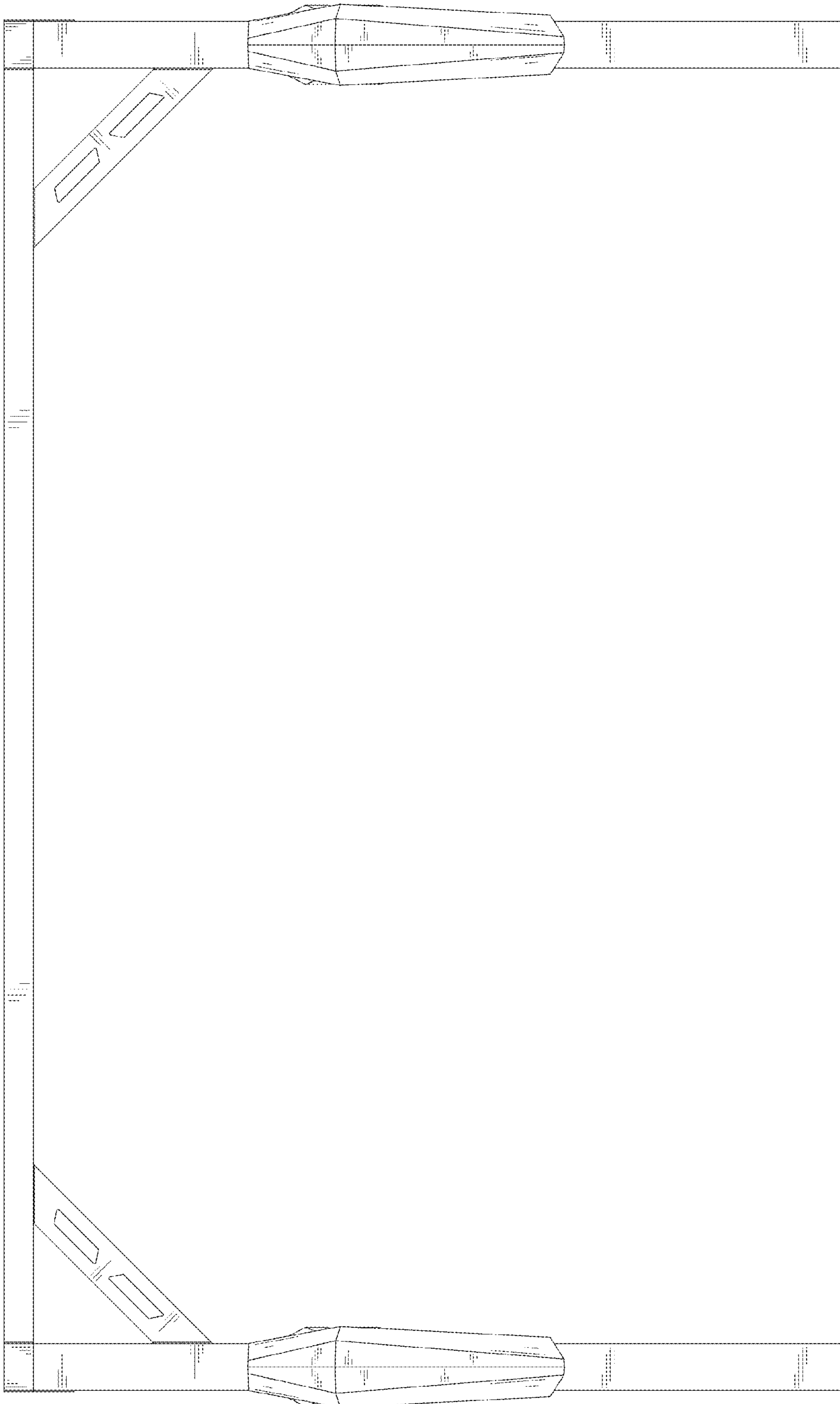


FIG. 3

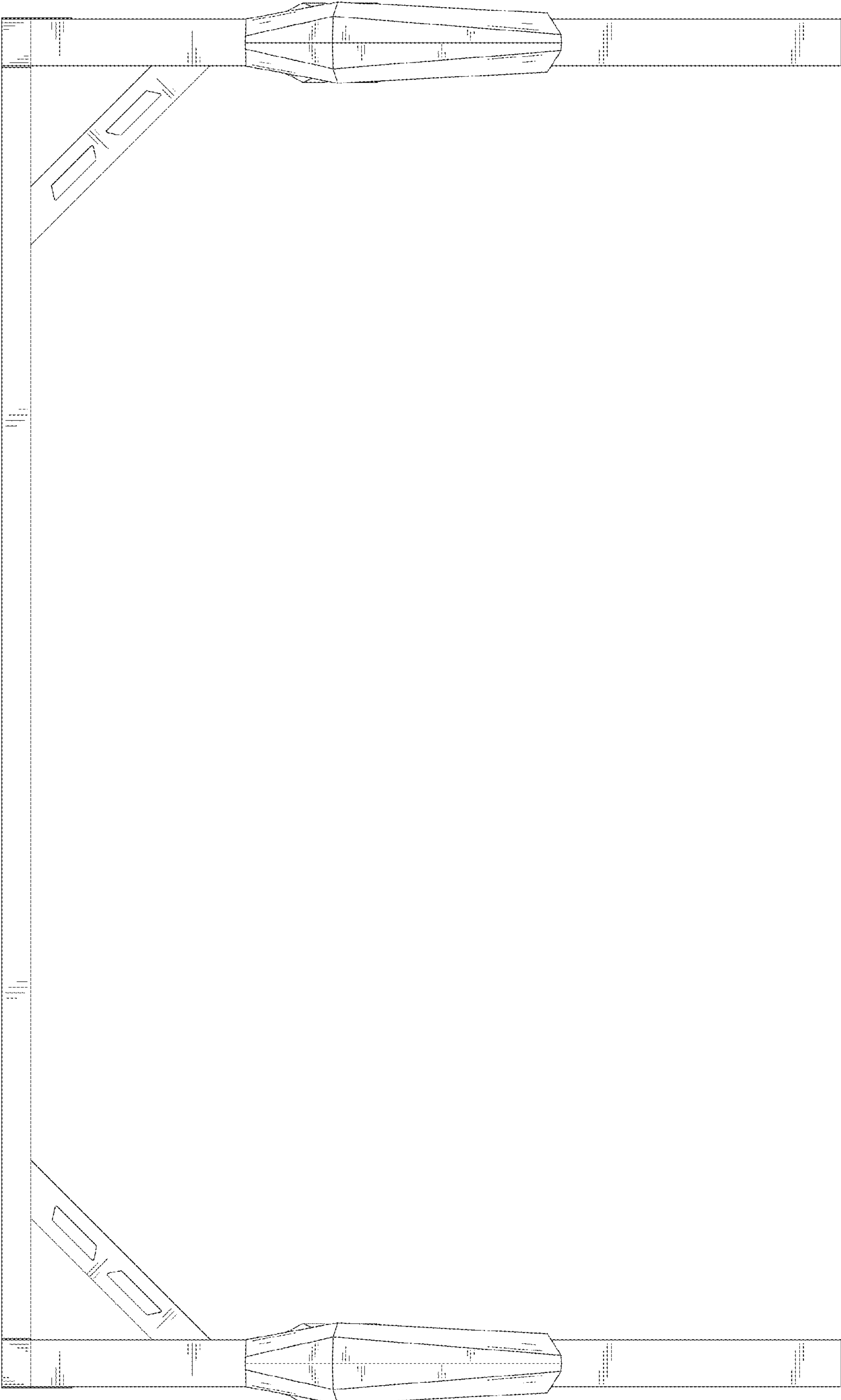


FIG. 4

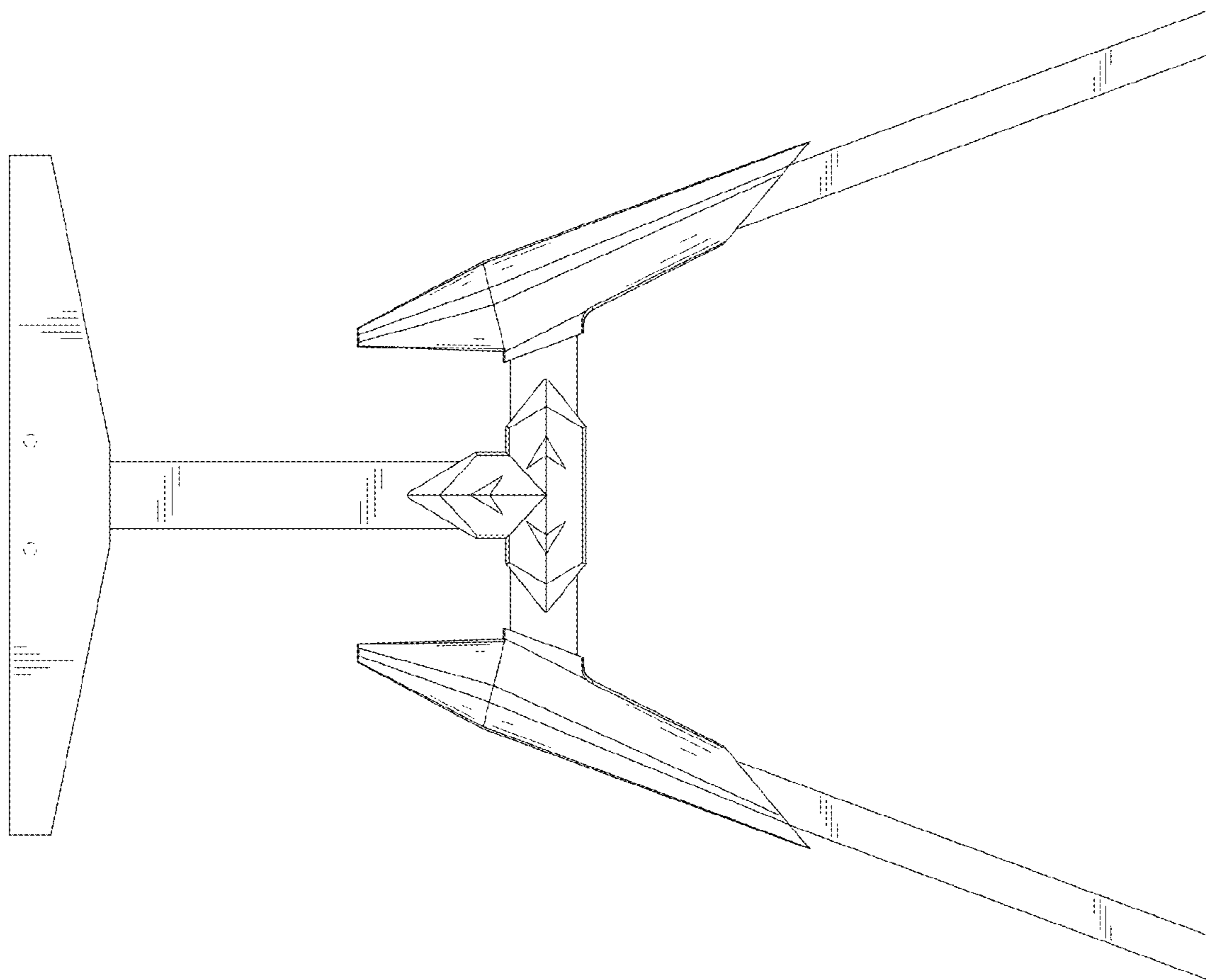


FIG. 5

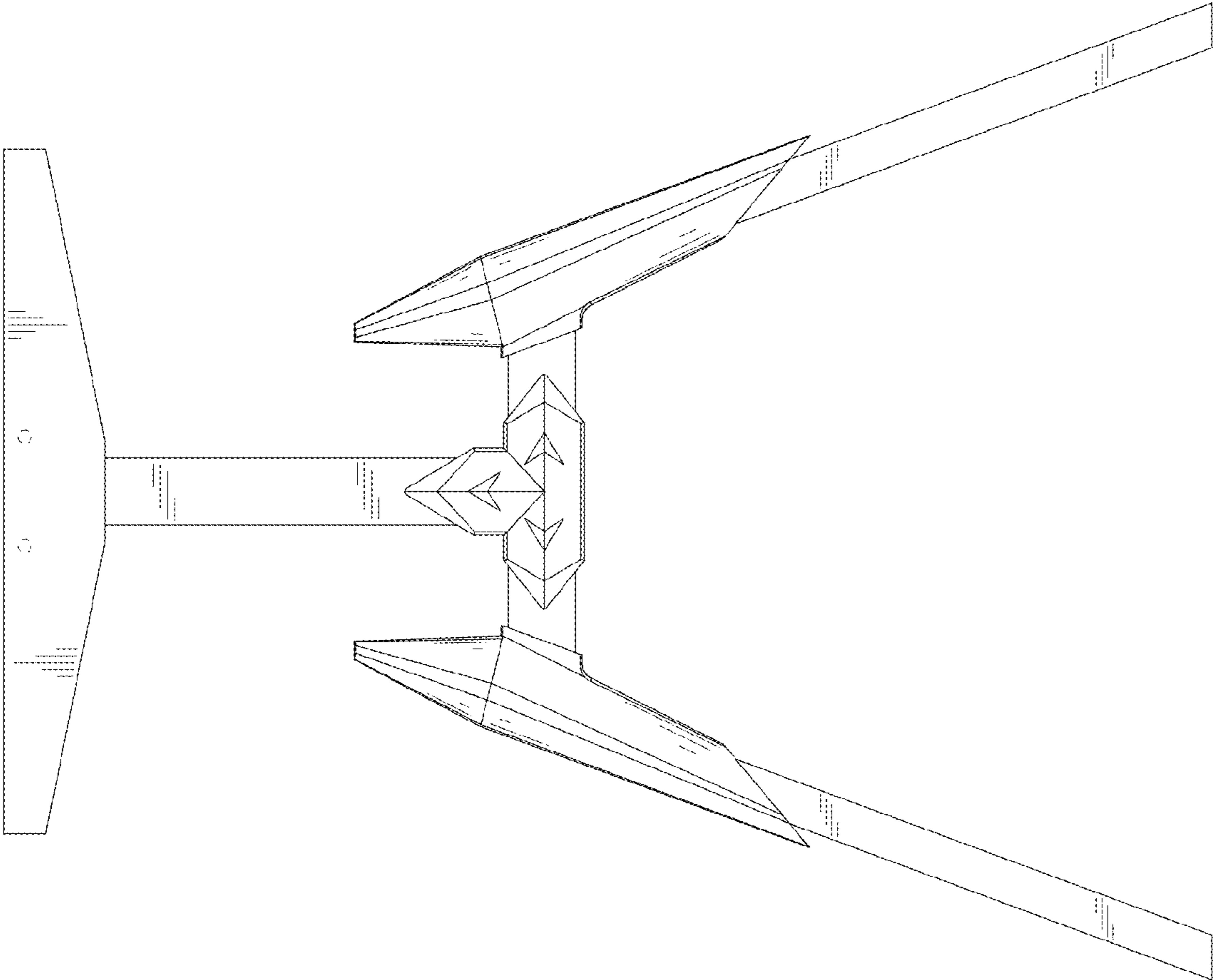


FIG. 6

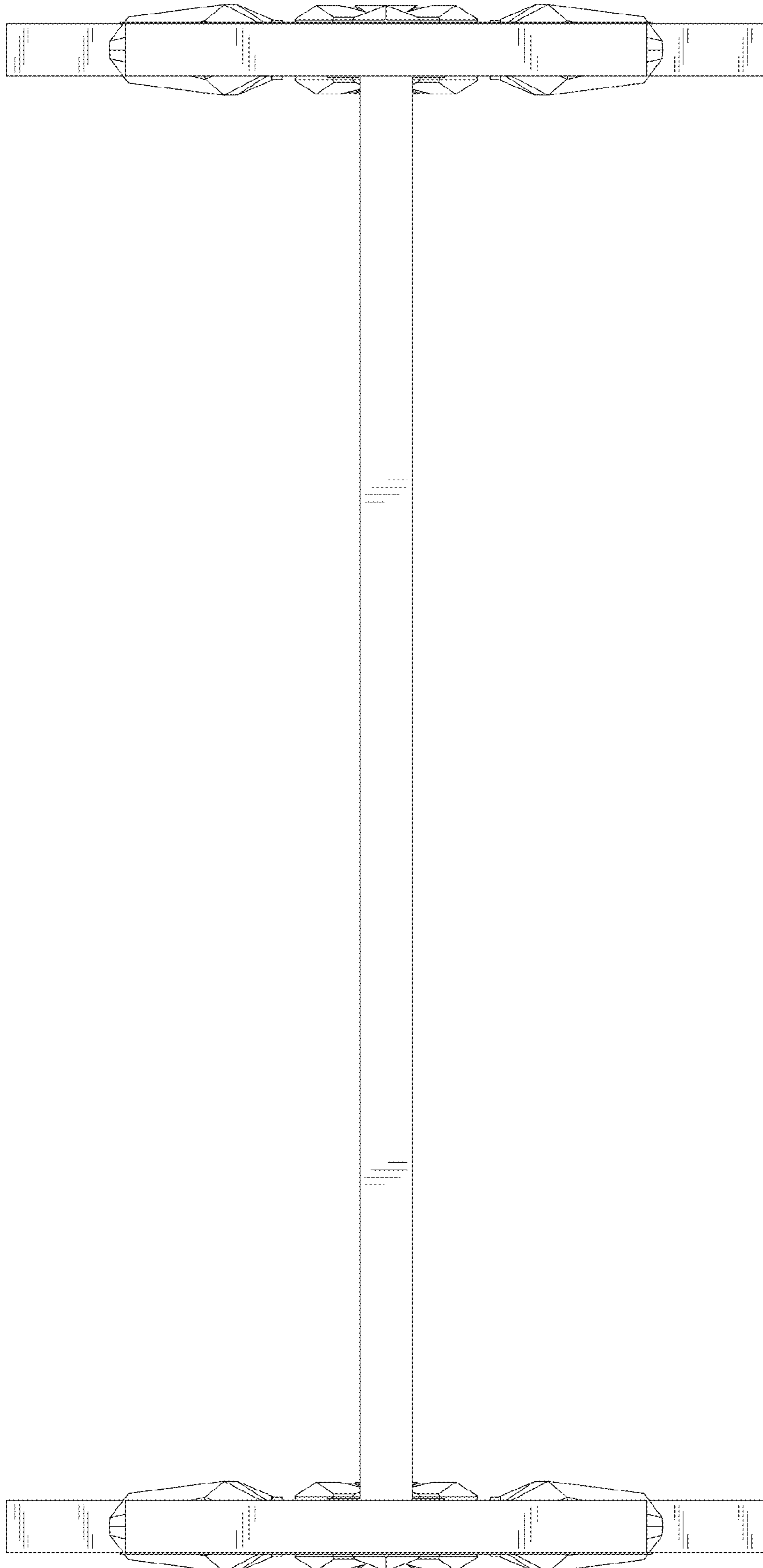


FIG. 7



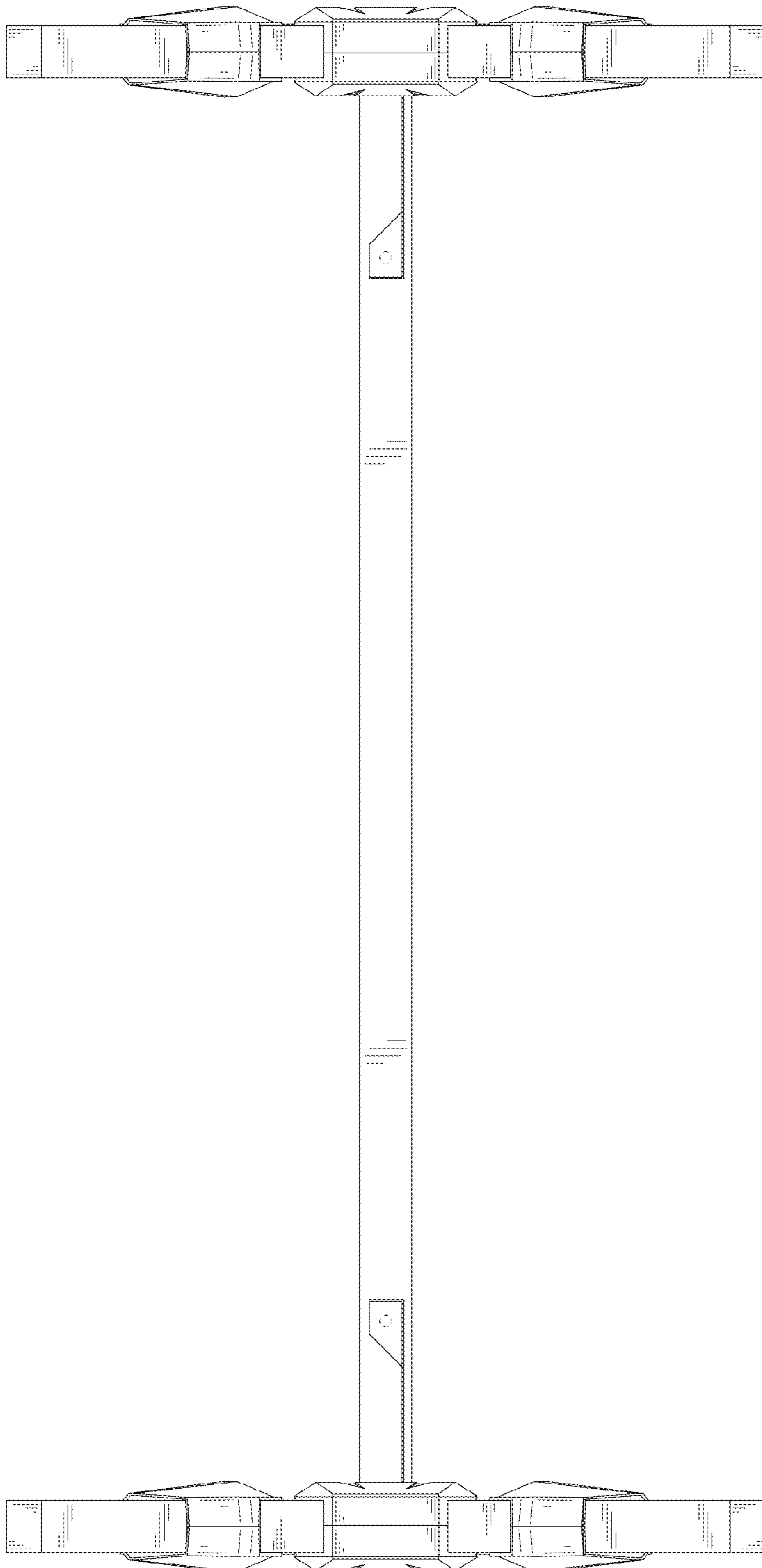


FIG. 8