



US00D943322S

(12) **United States Design Patent** (10) **Patent No.:** **US D943,322 S**
Li (45) **Date of Patent:** **** Feb. 15, 2022**

(54) **GUITAR SUPPORT**
(71) Applicant: **OFALA, INC.**, Alhambra, CA (US)
(72) Inventor: **Muliang Li**, Beijing (CN)
(73) Assignee: **OFALA, INC.**, Alhambra, CA (US)
(**) Term: **15 Years**

D866,231 S * 11/2019 Sawhney D6/682
D871,809 S * 1/2020 Kimura D6/682
D875,445 S * 2/2020 Wilfer D6/682
2019/0107263 A1 * 4/2019 Adams F21V 11/16

* cited by examiner

Primary Examiner — Kelley A Donnelly

(21) Appl. No.: **29/759,150**
(22) Filed: **Nov. 20, 2020**
(51) **LOC (13) Cl.** **06-06**
(52) **U.S. Cl.**
USPC **D6/682**
(58) **Field of Classification Search**
USPC ... D6/672–673, 678, 680, 682, 682.1, 682.2,
D6/682.3, 682.4; D17/9, 20; D14/229,
D14/447
CPC A47B 23/00; A47B 23/004; A47B 19/002;
A47B 2019/004; A47F 7/00; A47F
7/0021
See application file for complete search history.

(57) **CLAIM**

The ornamental design for a guitar support, as shown and described.

DESCRIPTION

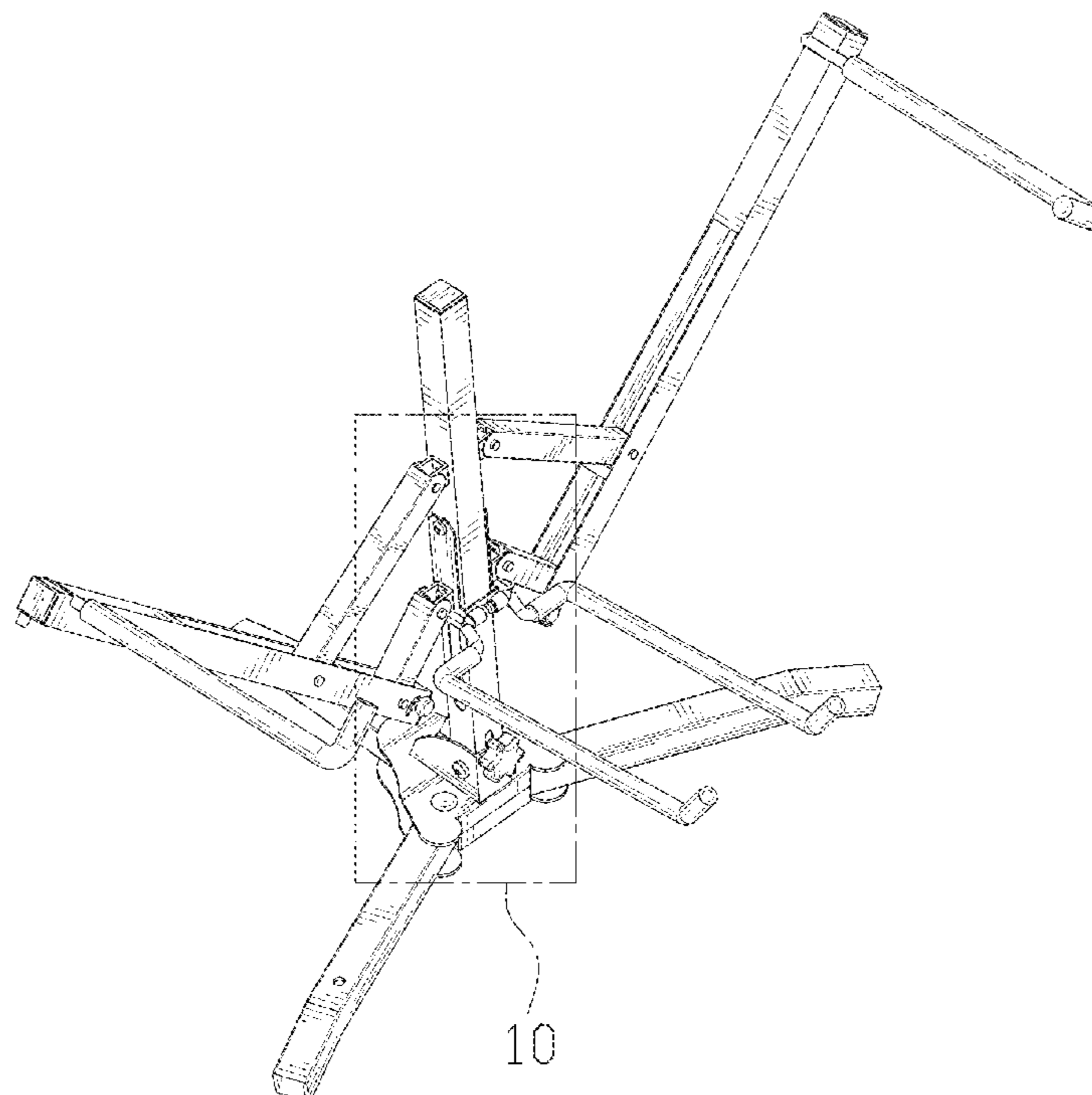
FIG. 1 is a top, front and left side perspective view of a guitar support showing my new design;
FIG. 2 is a bottom, rear and right side perspective view thereof;
FIG. 3 is a front elevational view thereof;
FIG. 4 is a rear elevational view thereof;
FIG. 5 is a left side view thereof;
FIG. 6 is a right side view thereof;
FIG. 7 is a top plan view thereof;
FIG. 8 is a bottom plan view thereof;
FIG. 9 is a top and left side perspective view showing the guitar support in a folded state;
FIG. 10 is an enlarged view of portion 10 in FIG. 1; and,
FIG. 11 is an enlarged view of portion 11 in FIG. 2.
The broken lines in the drawings illustrate portions of the guitar support which form no part of the claimed design.

(56) **References Cited**

U.S. PATENT DOCUMENTS

D288,509 S * 3/1987 van de Oudeweetering . D6/682
D295,814 S * 5/1988 Chang D6/682
D298,041 S * 10/1988 Chang D17/9
D304,270 S * 10/1989 Goldman D6/682
6,296,213 B1 * 10/2001 Law, III G10G 5/00
206/45.2
D538,554 S * 3/2007 Tai D6/682
D782,227 S * 3/2017 Hepburn D6/674
D850,170 S * 6/2019 Smith D6/682

1 Claim, 11 Drawing Sheets



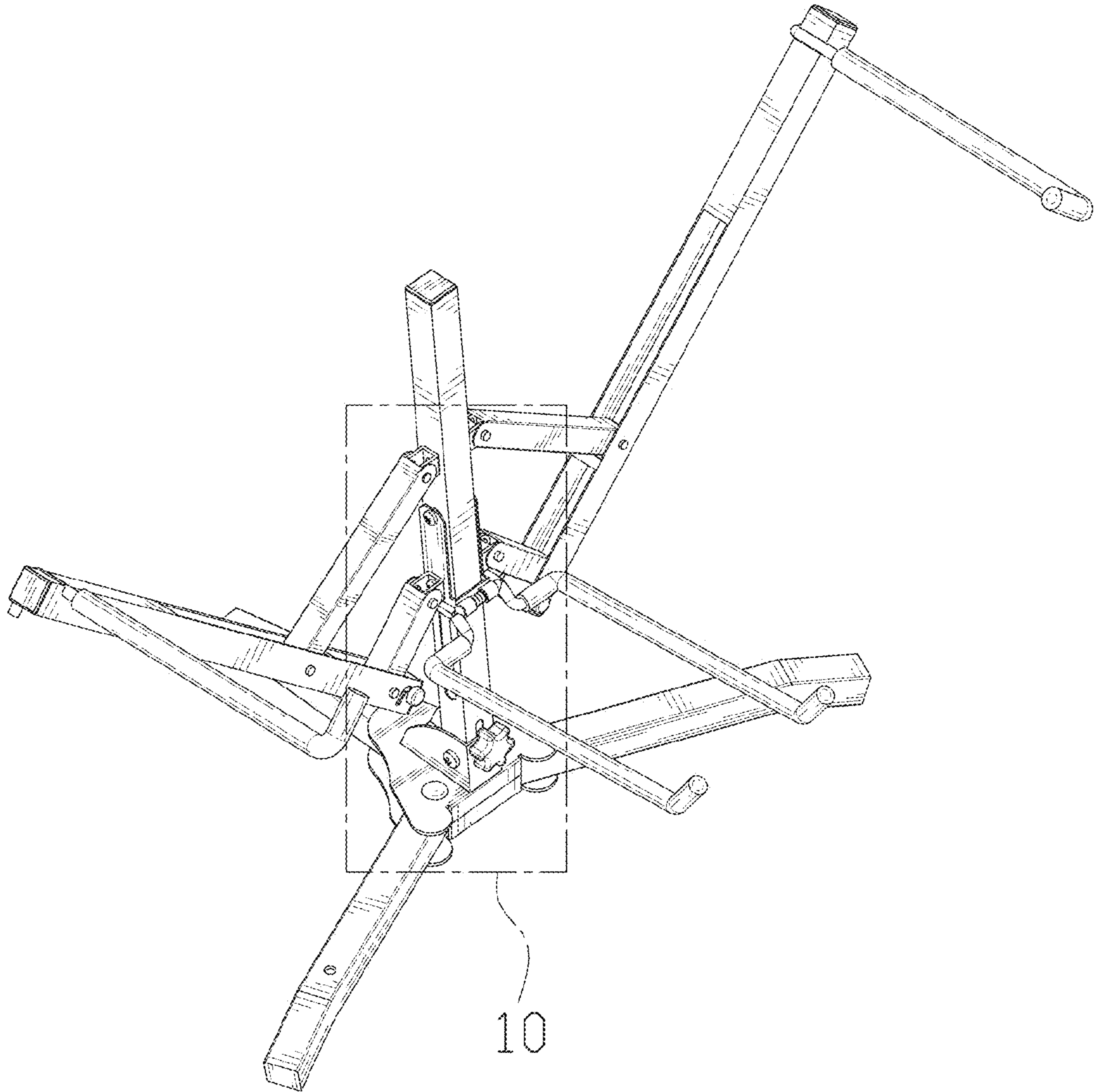


FIG. 1

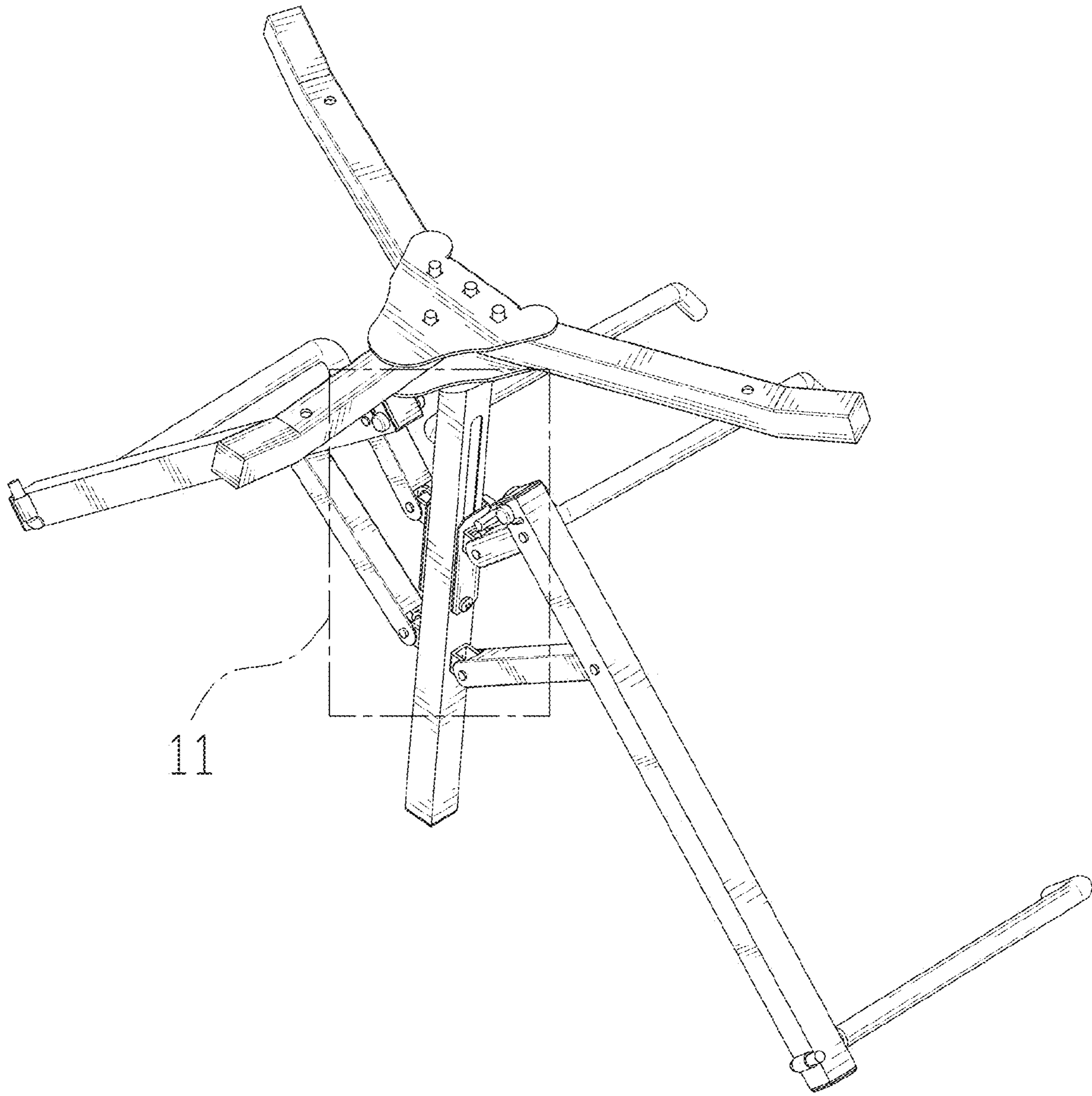


FIG. 2

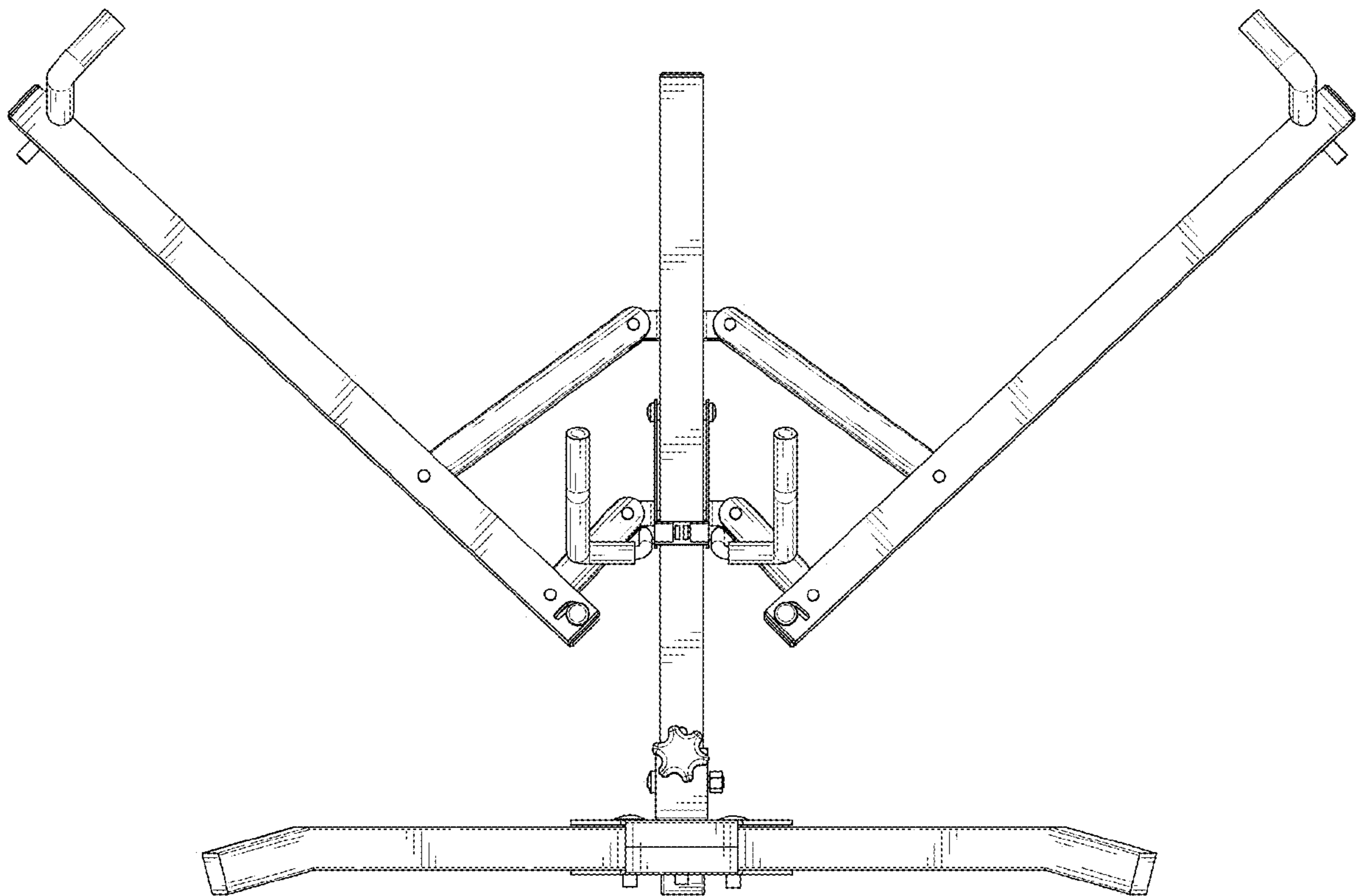


FIG. 3

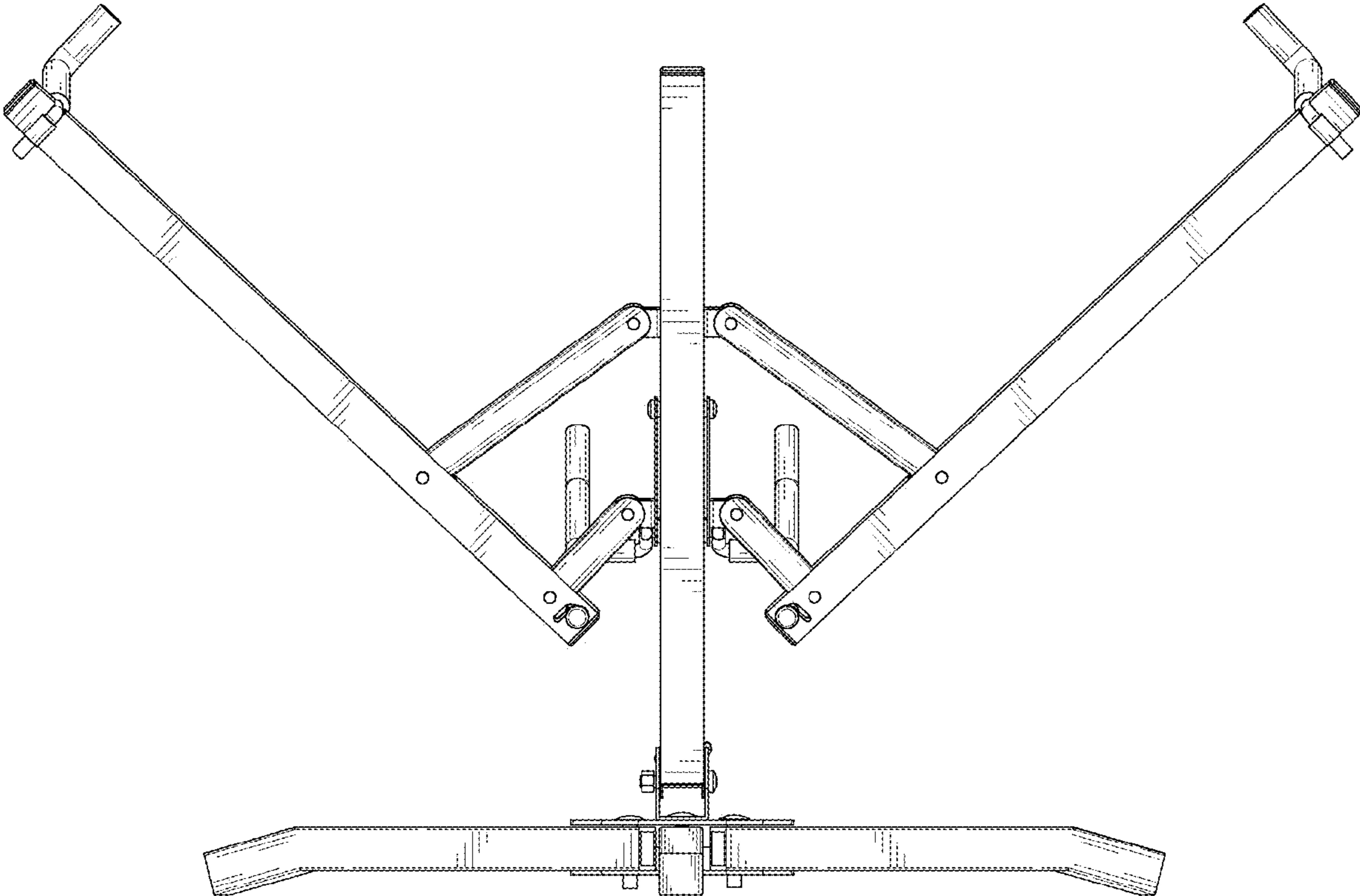


FIG. 4

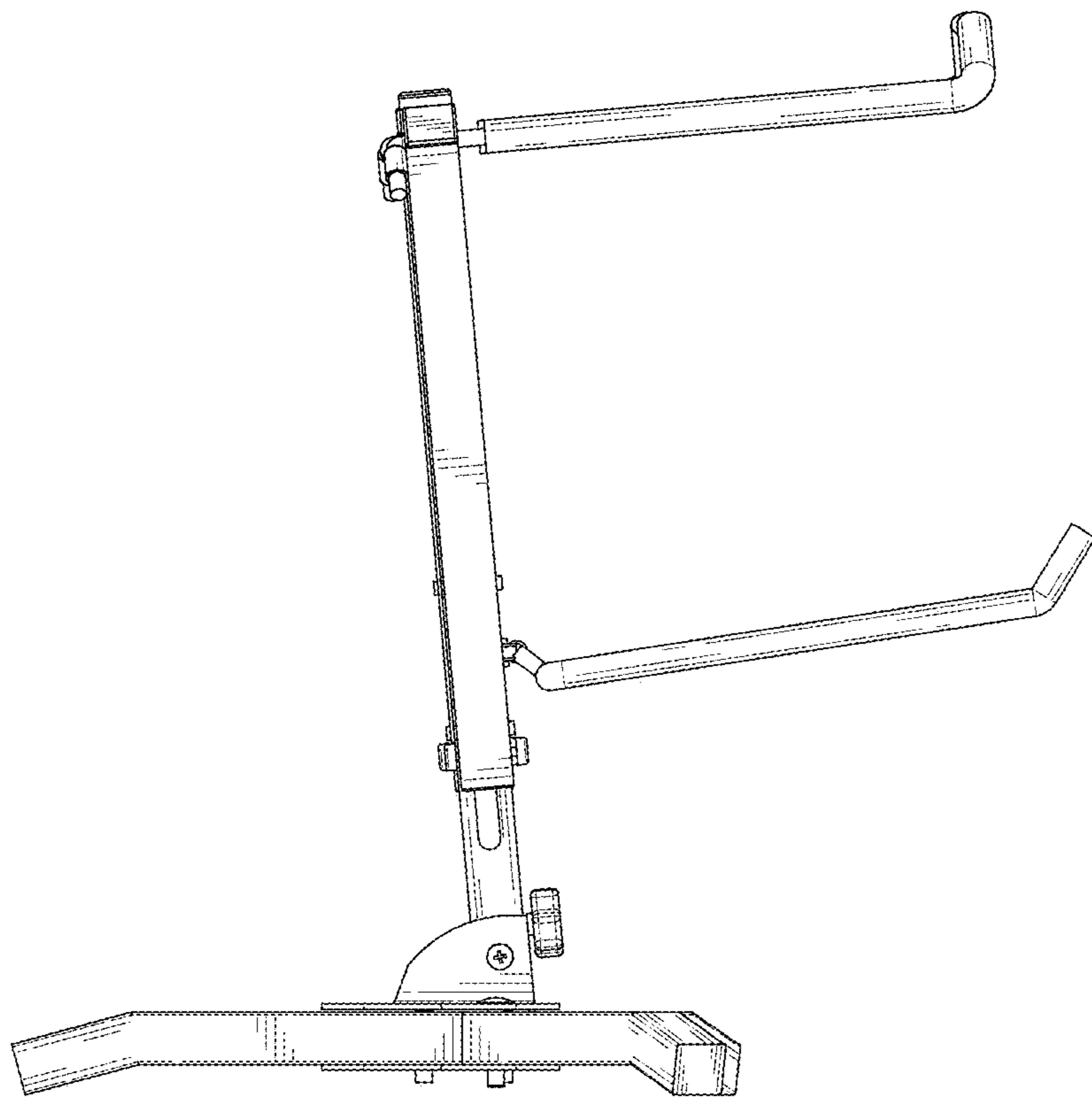


FIG. 5

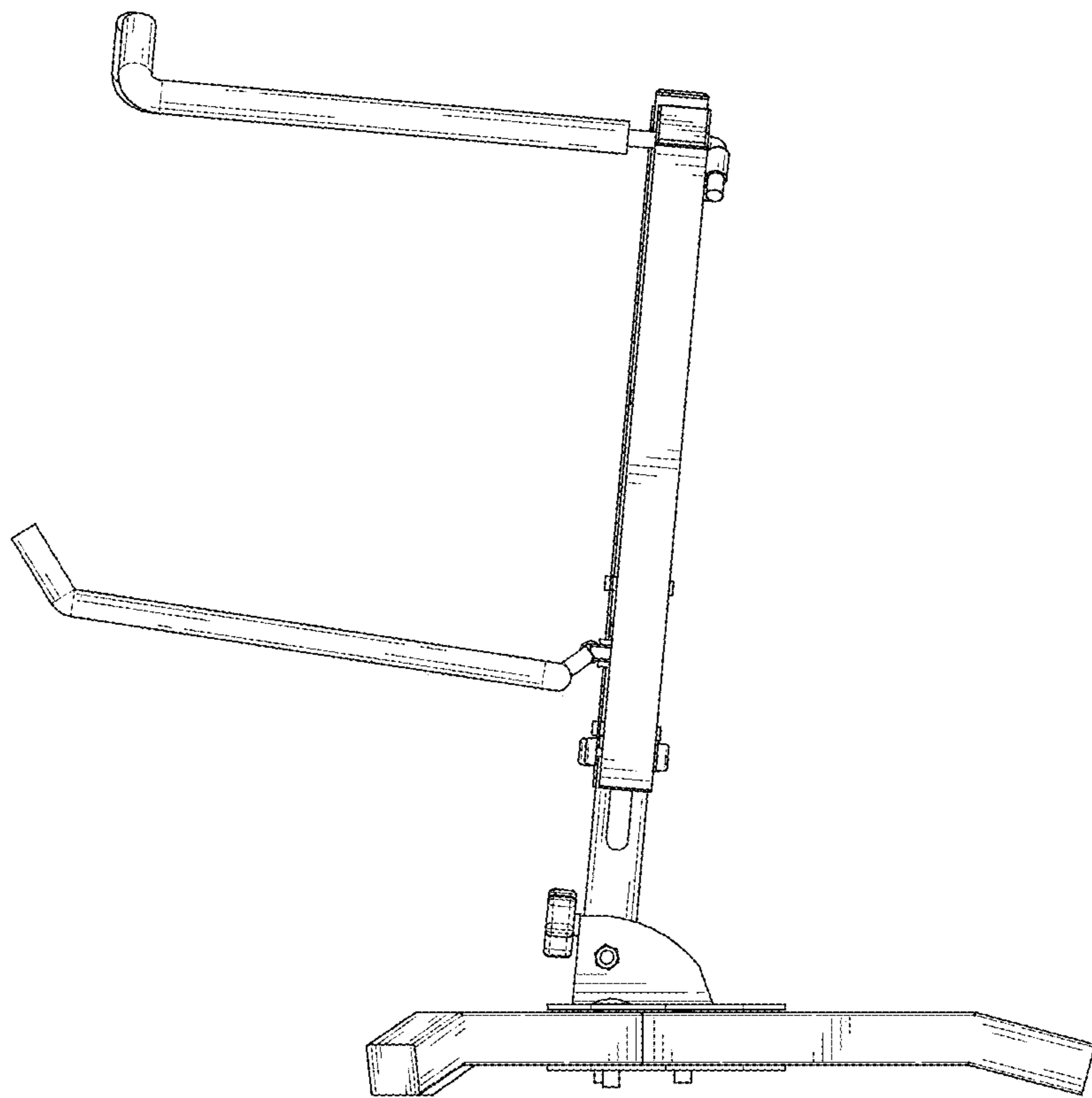


FIG. 6

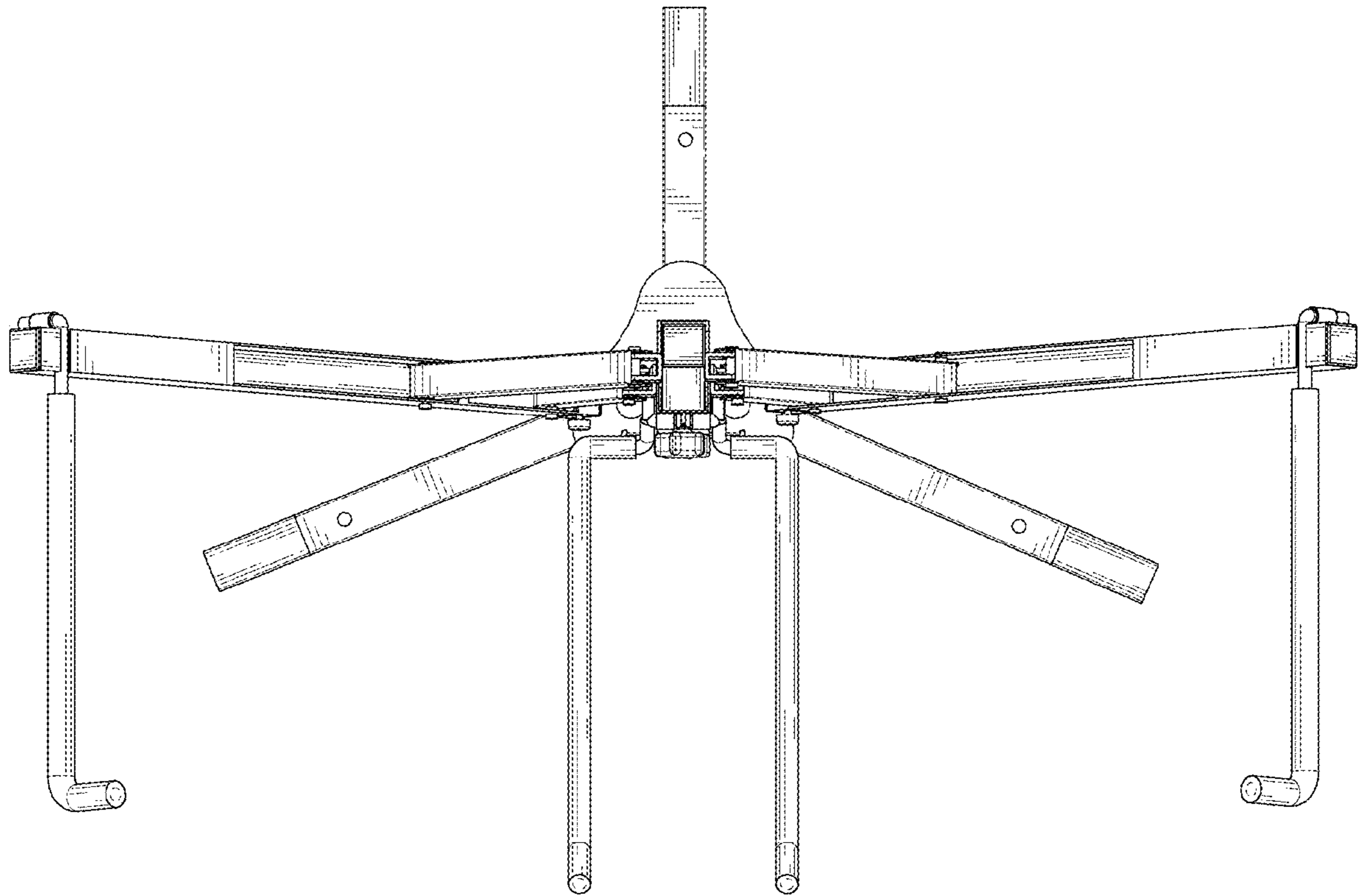


FIG. 7

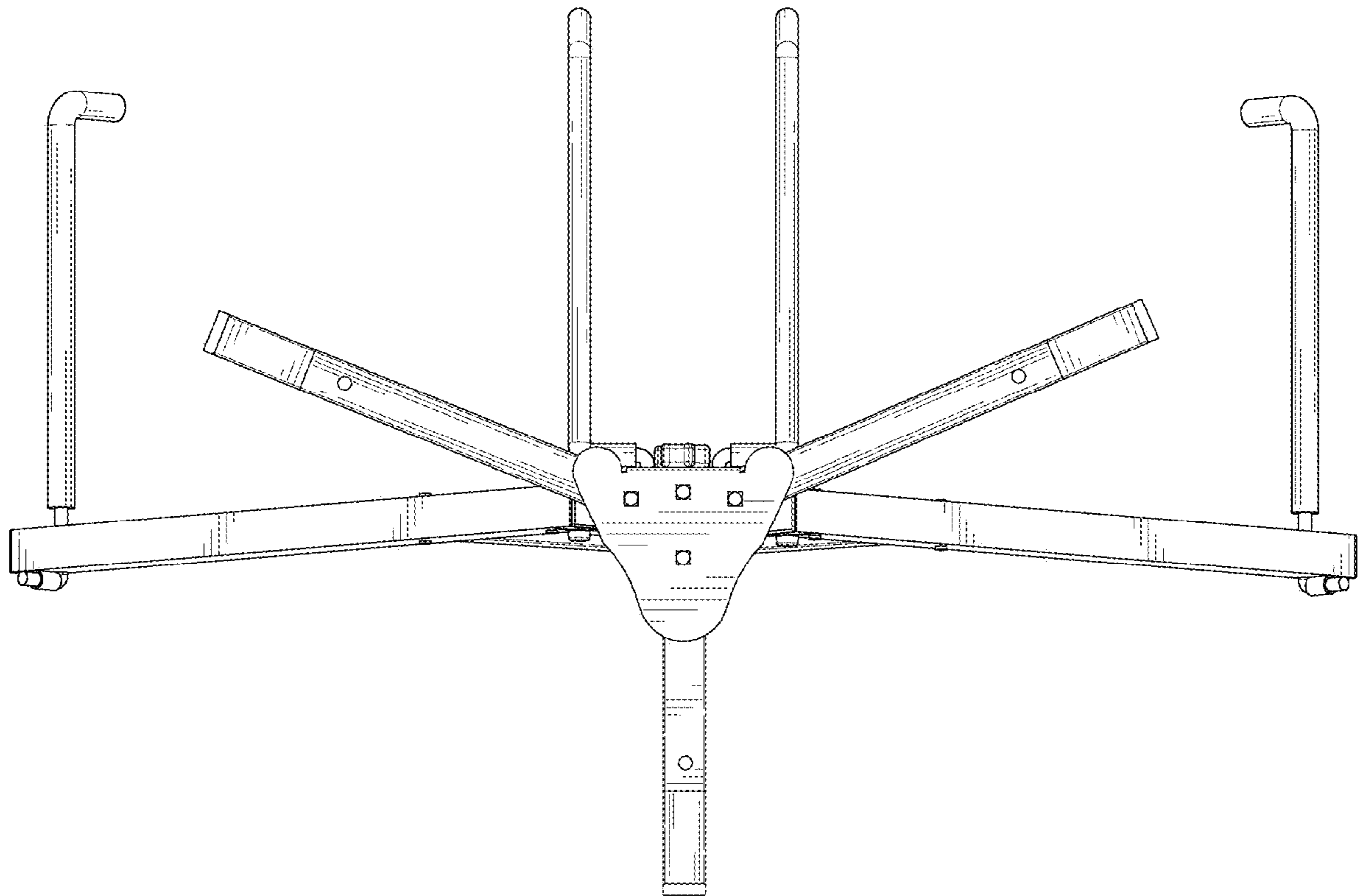


FIG. 8

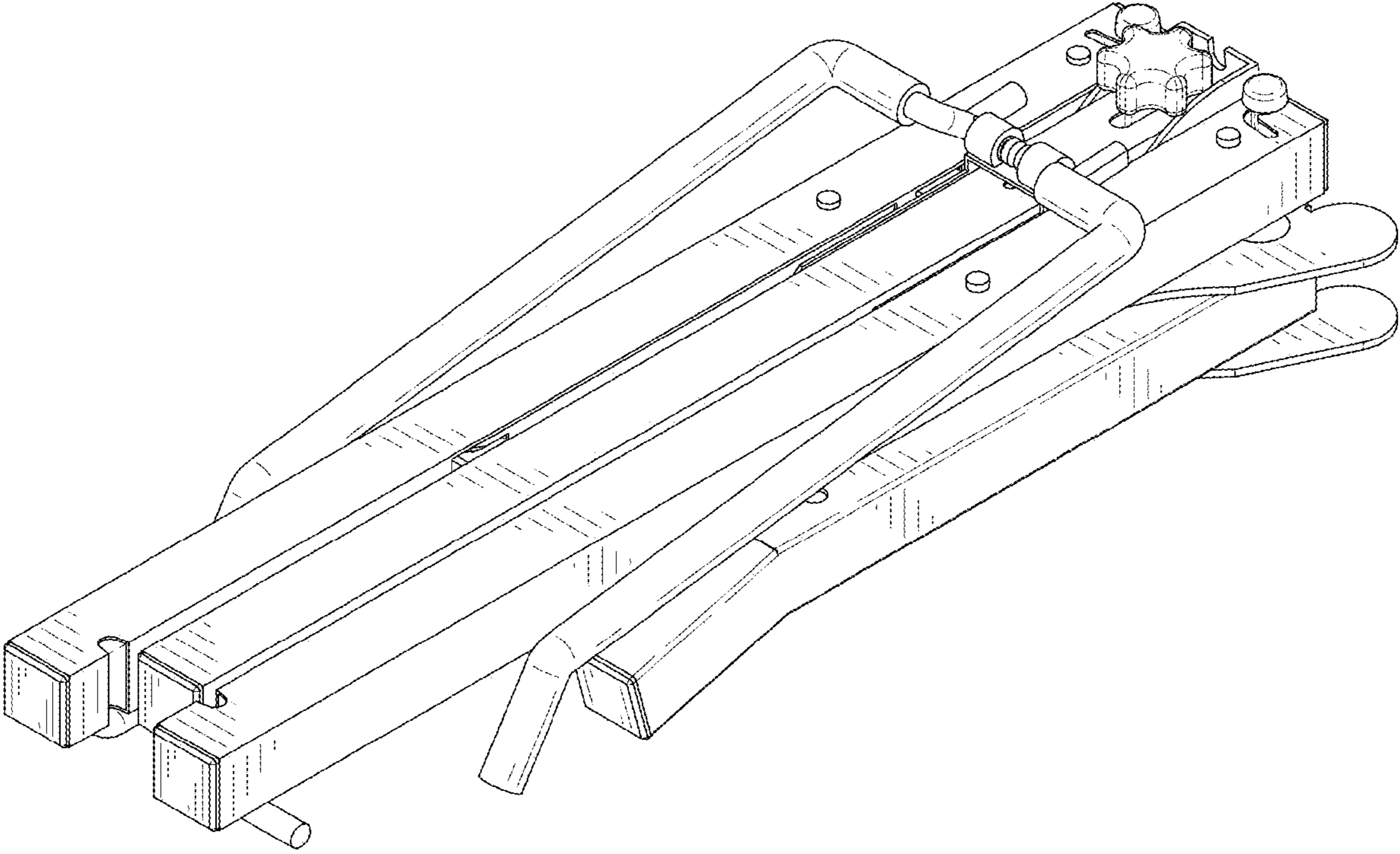


FIG. 9

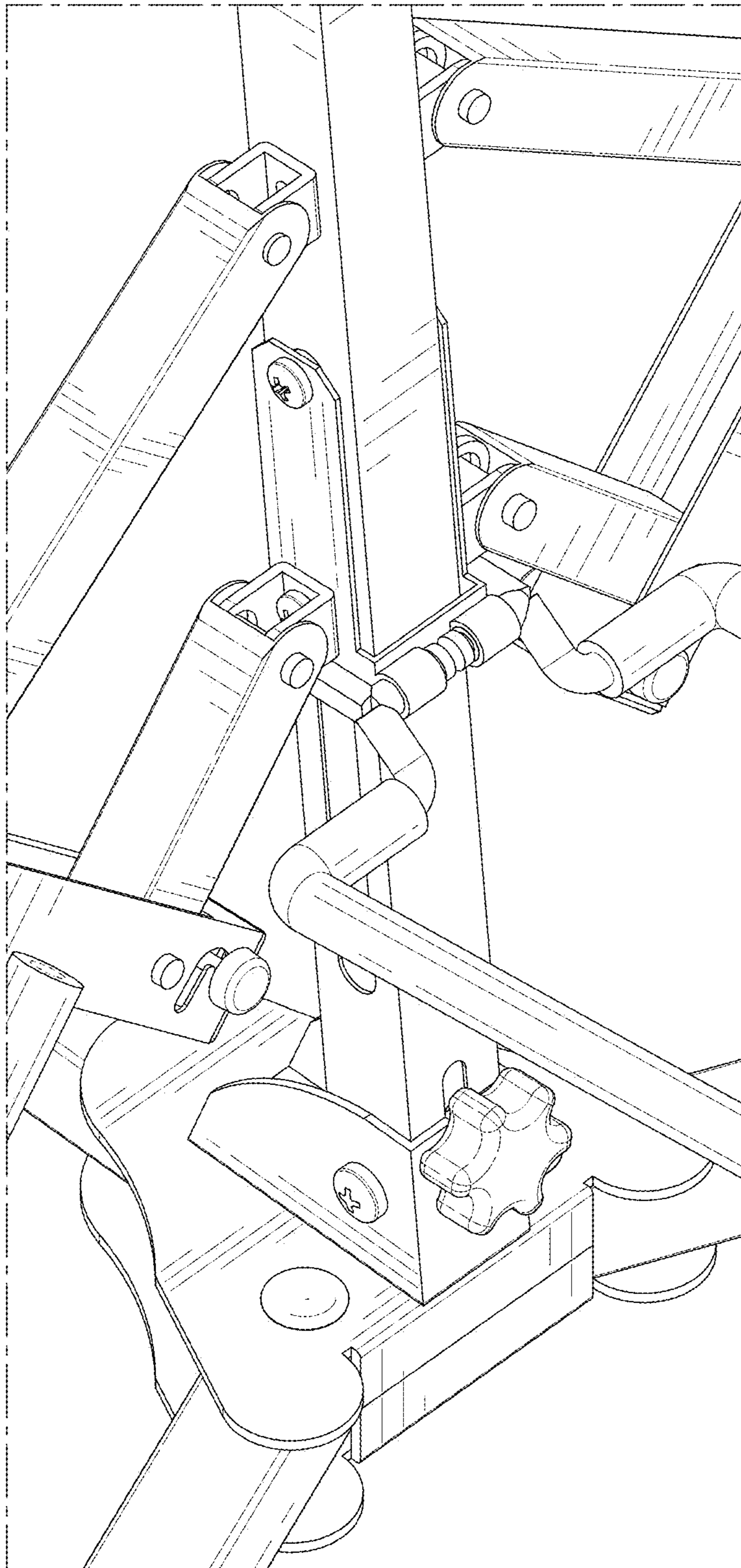


FIG. 10

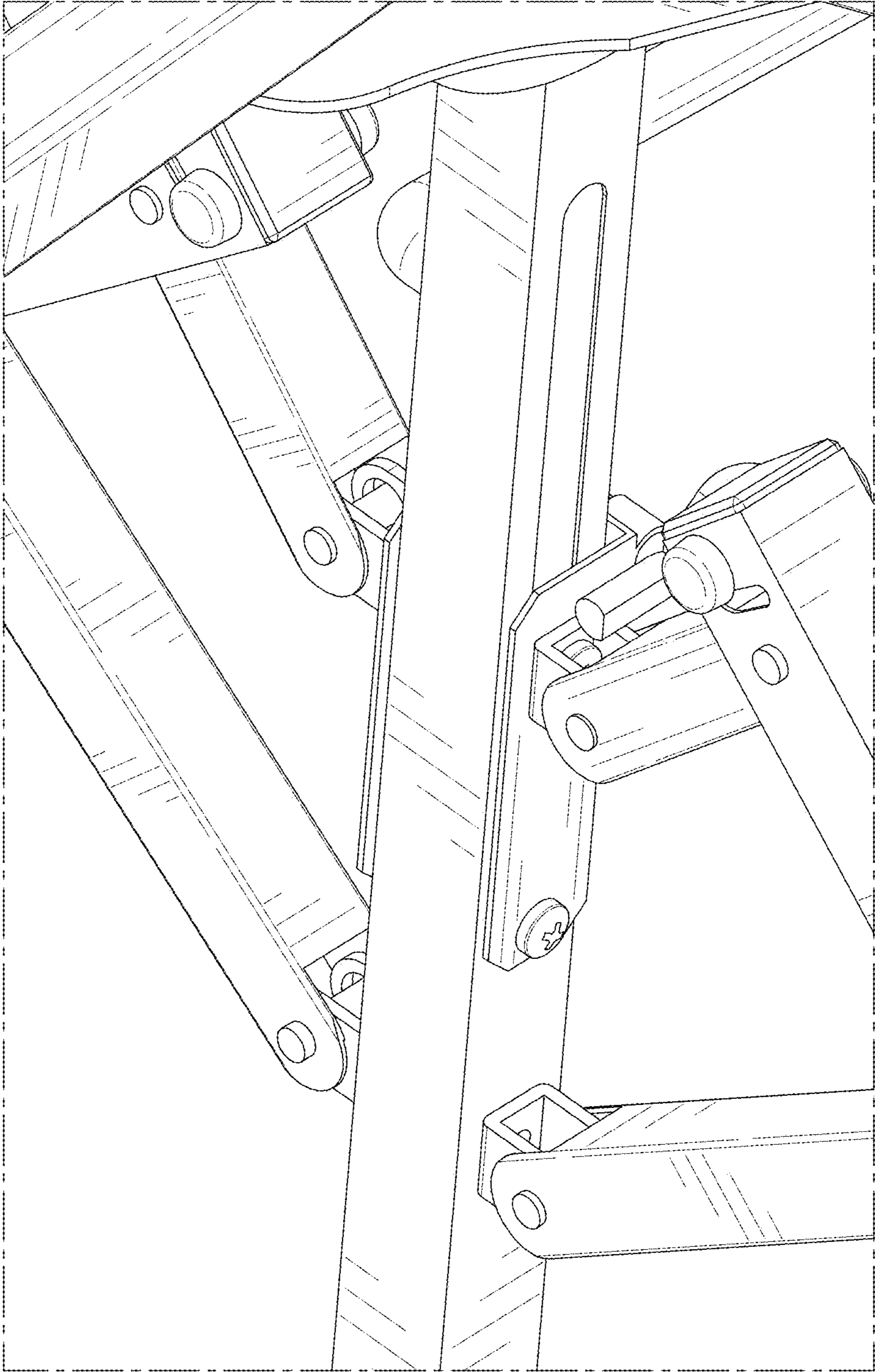


FIG. 11