



US00D943321S

(12) **United States Design Patent**  
**Meuret et al.**

(10) **Patent No.:** **US D943,321 S**  
(45) **Date of Patent:** **\*\* Feb. 15, 2022**

(54) **COUNTERBALANCED SUPPORT**

FOREIGN PATENT DOCUMENTS

(71) Applicant: **Brunson Instrument Company,**  
Kansas City, MO (US)

WO 2018144913 A1 8/2018

(72) Inventors: **Mark Meuret,** Overland Park, KS  
(US); **Adam Warden,** Lee's Summit,  
MO (US); **Isaac Gipson,** Lee's Summit,  
MO (US); **Deighton Brunson,** Lee's  
Summit, MO (US); **Aaron**  
**Hudlemeyer,** Jemez Springs, NM (US)

OTHER PUBLICATIONS

"Corrected Notice of Allowance Received for U.S. Appl. No.  
29/621,298 dated Jul. 7, 2020".

(Continued)

(73) Assignee: **Brunson Instrument Company,**  
Kansas City, MO (US)

*Primary Examiner* — Kelley A Donnelly

(\*\*) Term: **15 Years**

(74) *Attorney, Agent, or Firm* — Kutak Rock LLP; Brian  
L. Main

(21) Appl. No.: **29/745,153**

(22) Filed: **Aug. 4, 2020**

**Related U.S. Application Data**

(60) Division of application No. 29/621,298, filed on Oct.  
6, 2017, now Pat. No. Des. 891,834, and a  
continuation-in-part of application No. 15/887,674,  
filed on Feb. 2, 2018, now Pat. No. 10,843,350, and  
a continuation-in-part of application No. 16/112,299,  
filed on Aug. 24, 2018, now Pat. No. 10,725,493.

(57) **CLAIM**

The ornamental design for a counterbalanced support, as  
shown and described.

(51) **LOC (13) Cl.** ..... **06-06**

(52) **U.S. Cl.**  
USPC ..... **D6/682**

(58) **Field of Classification Search**  
USPC ..... D6/329, 673, 674, 682, 682.5; D8/71,  
D8/349, 354, 355, 356, 363; D14/432,  
D14/447, 451, 452; D10/103  
CPC ..... B25F 1/00; B25F 1/0021; B25F 1/0042;  
F16M 11/00; F16M 2200/00; F16M  
2200/04; F16M 2200/06

**DESCRIPTION**

FIG. 1 is a frontal-side perspective view of a counterbal-  
anced support of the present invention.  
FIG. 2 is a rear side perspective view of the counterbalanced  
support of FIG. 1.  
FIG. 3 is a rear elevation view of the counterbalanced  
support of FIG. 1.  
FIG. 4 is a side elevation view of the counterbalanced  
support of FIG. 1, the opposing side being a mirror image  
thereof.  
FIG. 5 is a top plan view of the counterbalanced support of  
FIG. 1.  
FIG. 6 is a bottom plan view of the counterbalanced support  
of FIG. 1; and,  
FIG. 7 is a front elevation view of the counterbalanced  
support of FIG. 1.

See application file for complete search history.

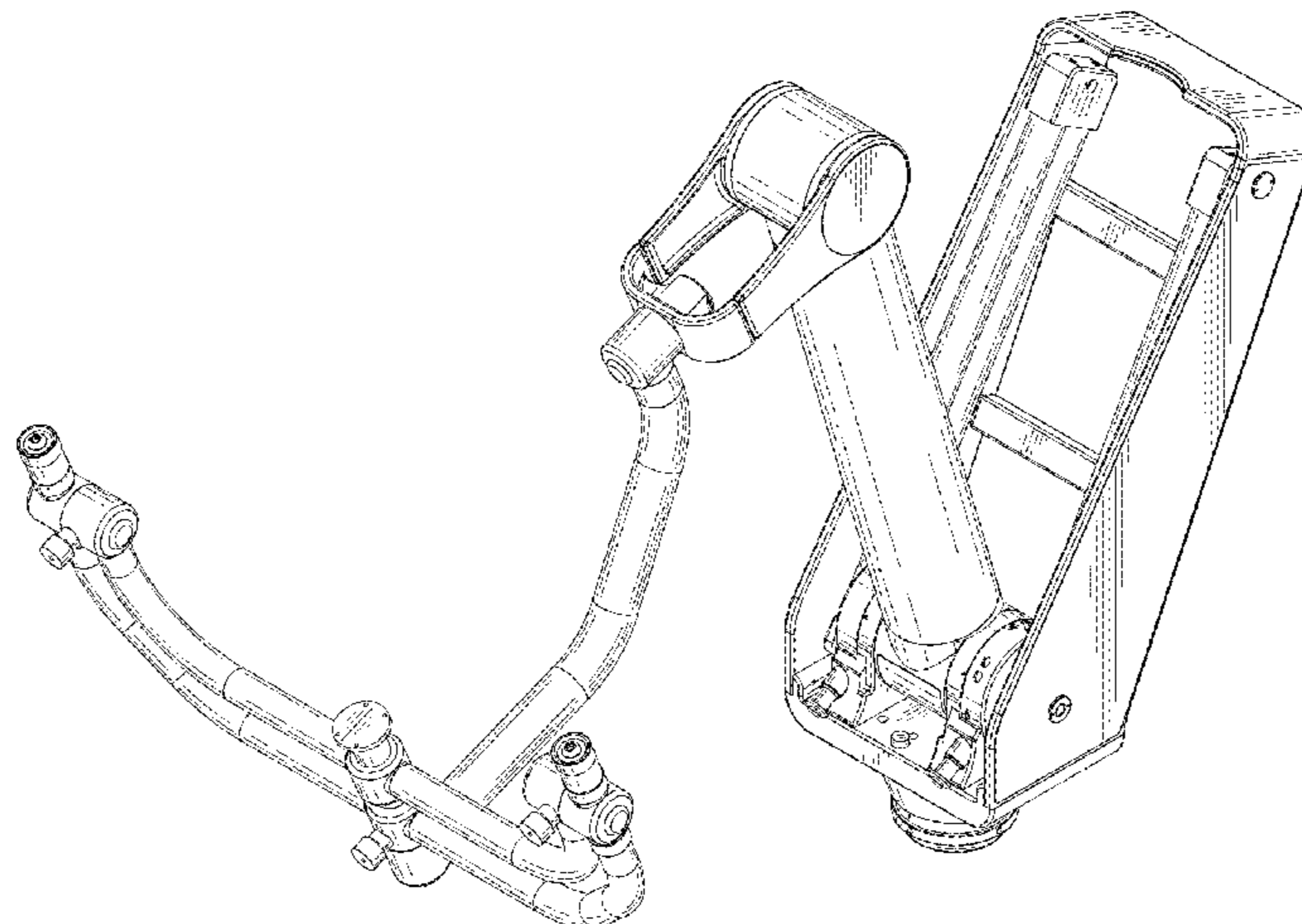
(56) **References Cited**

U.S. PATENT DOCUMENTS

4,166,602 A 9/1979 Nilsen et al.  
D280,478 S 9/1985 Stephens  
D301,414 S 6/1989 Maltese  
D317,687 S \* 6/1991 Fabius ..... D14/452

(Continued)

**1 Claim, 7 Drawing Sheets**



(56)

References Cited

U.S. PATENT DOCUMENTS

D325,440 S 4/1992 Landis  
 D337,333 S 7/1993 Turk  
 D380,474 S \* 7/1997 Pietrangelo ..... D14/231  
 5,651,718 A 7/1997 Nakamura  
 5,713,545 A 2/1998 Nakamura  
 6,050,530 A 4/2000 Nakamura  
 6,543,914 B2 4/2003 Sander  
 6,592,086 B1 7/2003 Sander  
 D496,436 S 9/2004 Ouyoung  
 7,207,537 B2 4/2007 Hung  
 D558,564 S \* 1/2008 Ciungan ..... D14/452  
 D566,531 S \* 4/2008 Massoumi ..... D14/452  
 7,364,127 B2 4/2008 Huang  
 D591,755 S 5/2009 Richter  
 D608,496 S 1/2010 Hodgson  
 D611,802 S \* 3/2010 Li ..... D8/363  
 D626,541 S 11/2010 Kim  
 8,006,850 B2 8/2011 Rotheisler  
 D654,503 S \* 2/2012 Sapper ..... D14/452  
 D655,532 S \* 3/2012 Saelid ..... D14/452  
 8,256,729 B2 9/2012 Koch  
 8,342,467 B2 1/2013 Stachowski et al.  
 RE44,740 E \* 2/2014 Ciungan ..... D8/363  
 D712,042 S 8/2014 Chung et al.  
 8,925,885 B2 1/2015 Ishii et al.  
 9,033,292 B2 5/2015 Lu  
 9,133,975 B2 9/2015 Kelch et al.  
 D742,206 S \* 11/2015 Bowman ..... D8/363  
 D781,372 S 3/2017 Floersch et al.  
 9,706,843 B2 7/2017 Hung  
 D803,840 S 11/2017 Burmester  
 10,039,508 B2 8/2018 Abramovich et al.  
 D830,371 S \* 10/2018 Lau ..... D14/452  
 D831,667 S 10/2018 Burmester  
 D832,273 S 10/2018 Burmester  
 D838,760 S 1/2019 Ahman et al.  
 D850,170 S \* 6/2019 Smith ..... D6/682  
 D891,834 S 8/2020 Lind et al.

D897,541 S \* 9/2020 Borloz ..... D24/184  
 10,843,350 B2 11/2020 Warden et al.  
 D912,025 S \* 3/2021 Lyu ..... D14/239  
 D912,680 S \* 3/2021 Zheng ..... D14/447  
 D914,000 S \* 3/2021 Shu ..... D14/239  
 2007/0012825 A1 1/2007 Yeh  
 2008/0308688 A1 12/2008 Dillard  
 2008/0316368 A1 12/2008 Fritsch et al.  
 2009/0002548 A1 1/2009 Liang et al.  
 2009/0179129 A1 7/2009 Pettey  
 2010/0193457 A1 8/2010 Rotheisler  
 2012/0230668 A1 9/2012 Vogt  
 2015/0136926 A1 5/2015 Kuo et al.  
 2016/0305600 A1 \* 10/2016 Bowman ..... F16M 11/2021  
 2018/0085915 A1 3/2018 Hirose  
 2018/0112820 A1 4/2018 Lau  
 2018/0215052 A1 8/2018 Warden et al.

OTHER PUBLICATIONS

“Ex Parte Quayle Action Received For U.S. Appl. No. 29/621,298, mailed on Nov. 29, 2019, 4 pages.”  
 “Notice of Allowance received for U.S. Appl. No. 29/621,298, dated Mar. 18, 2020, 6 pages”  
 “Restriction Requirement Received For U.S. Appl. No. 29/621,298 dated May 2, 2019, 4 pages”  
 “Extended European Search Report for European Application No. 18748455.5, Search completed on Nov. 11, 2020, dated Nov. 19, 2020”  
 “International Preliminary Report on Patentability for International Application PCT/US2018/016700, dated Aug. 15, 2019, 10 Pgs”  
 “International Search Report and Written Opinion issued for Application No. PCT/US2018/016700, dated May 15, 2018”  
 “Non-Final Office Action received for U.S. Appl. No. 15/887,674, dated Jan. 10, 2020, pp. 12”, 12.  
 “Notice of Allowance received for U.S. Appl. No. 15/887,674, dated Jul. 20, 2020.”

\* cited by examiner

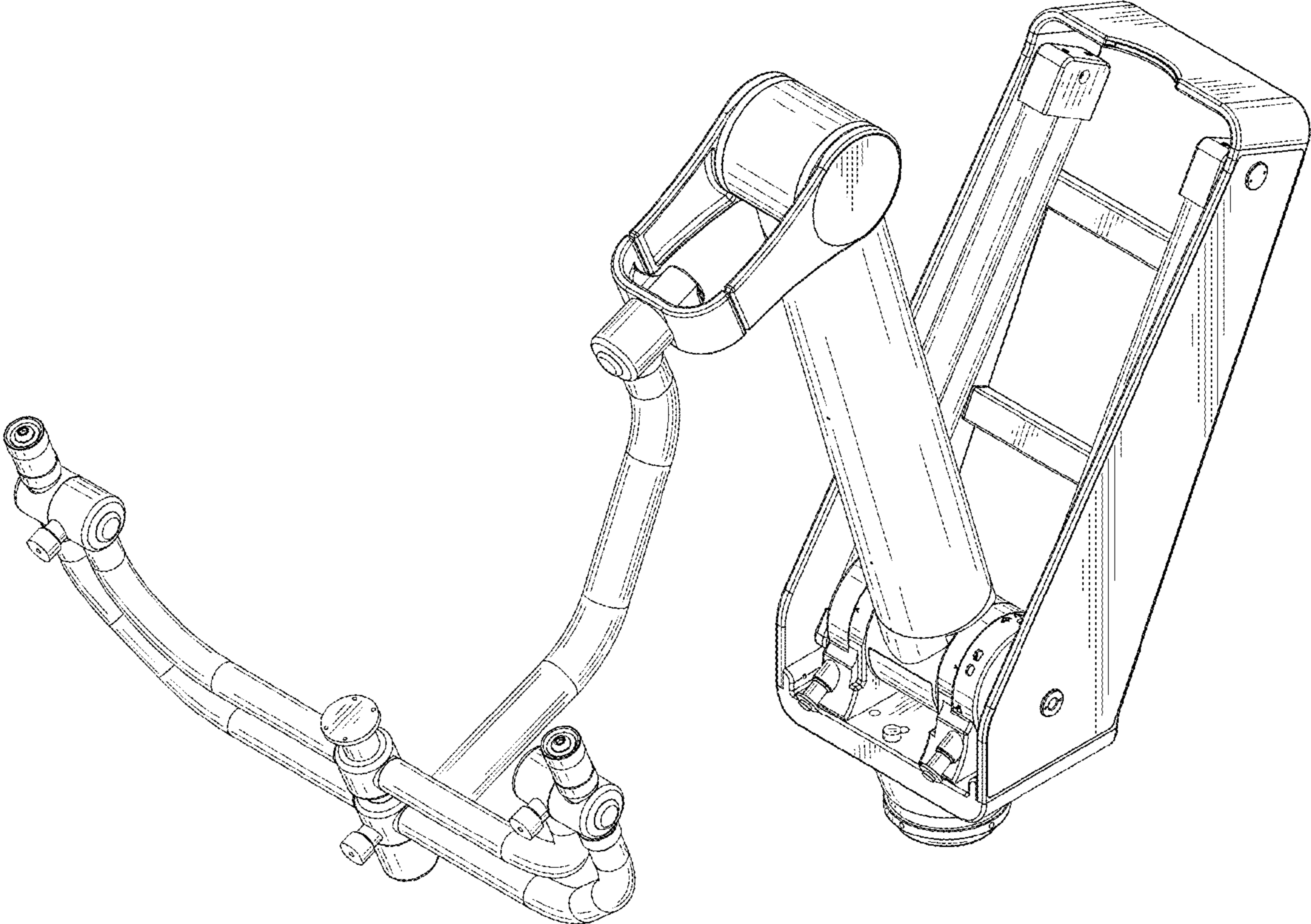


FIG. 1

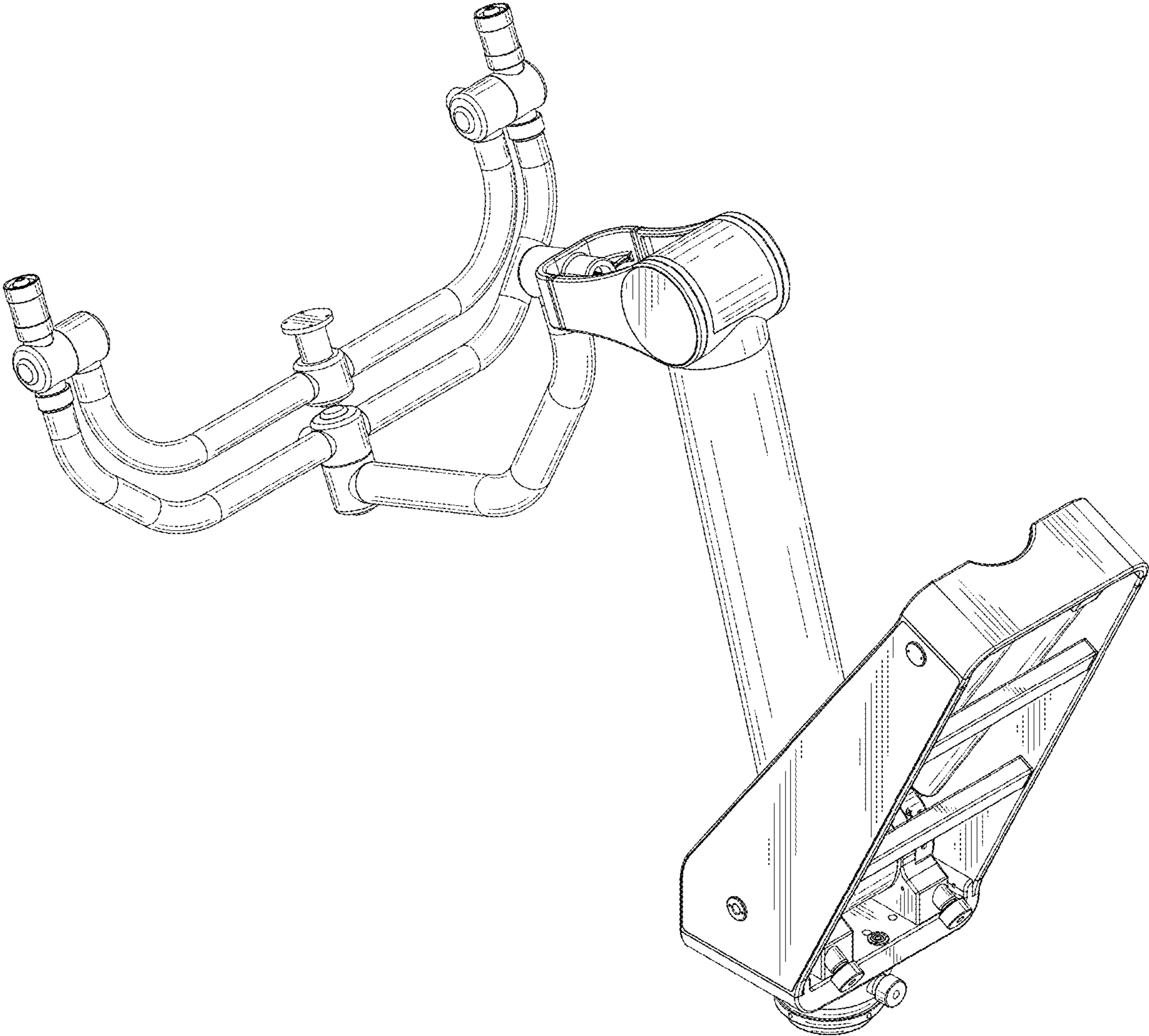


FIG. 2

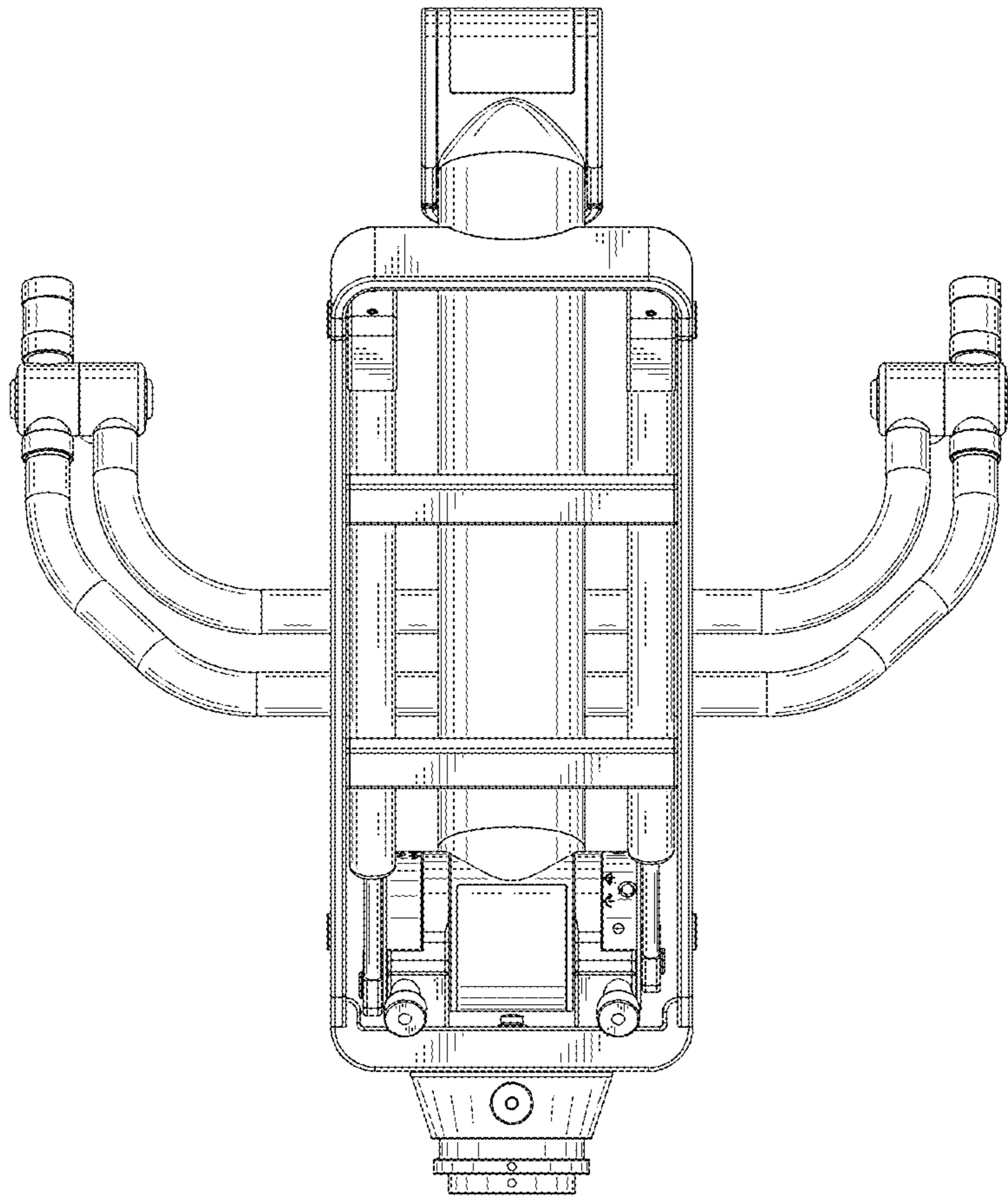


FIG. 3

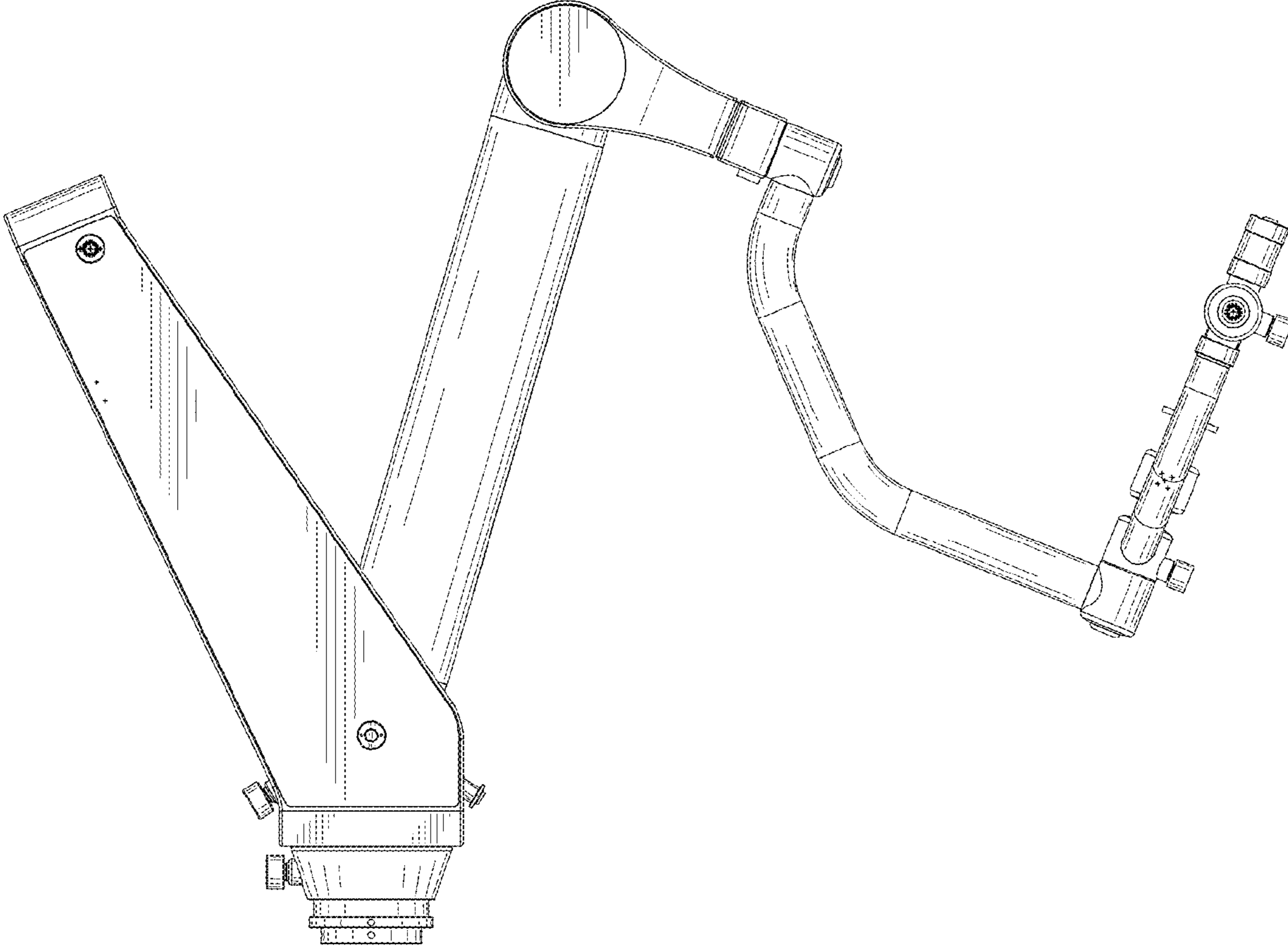


FIG. 4

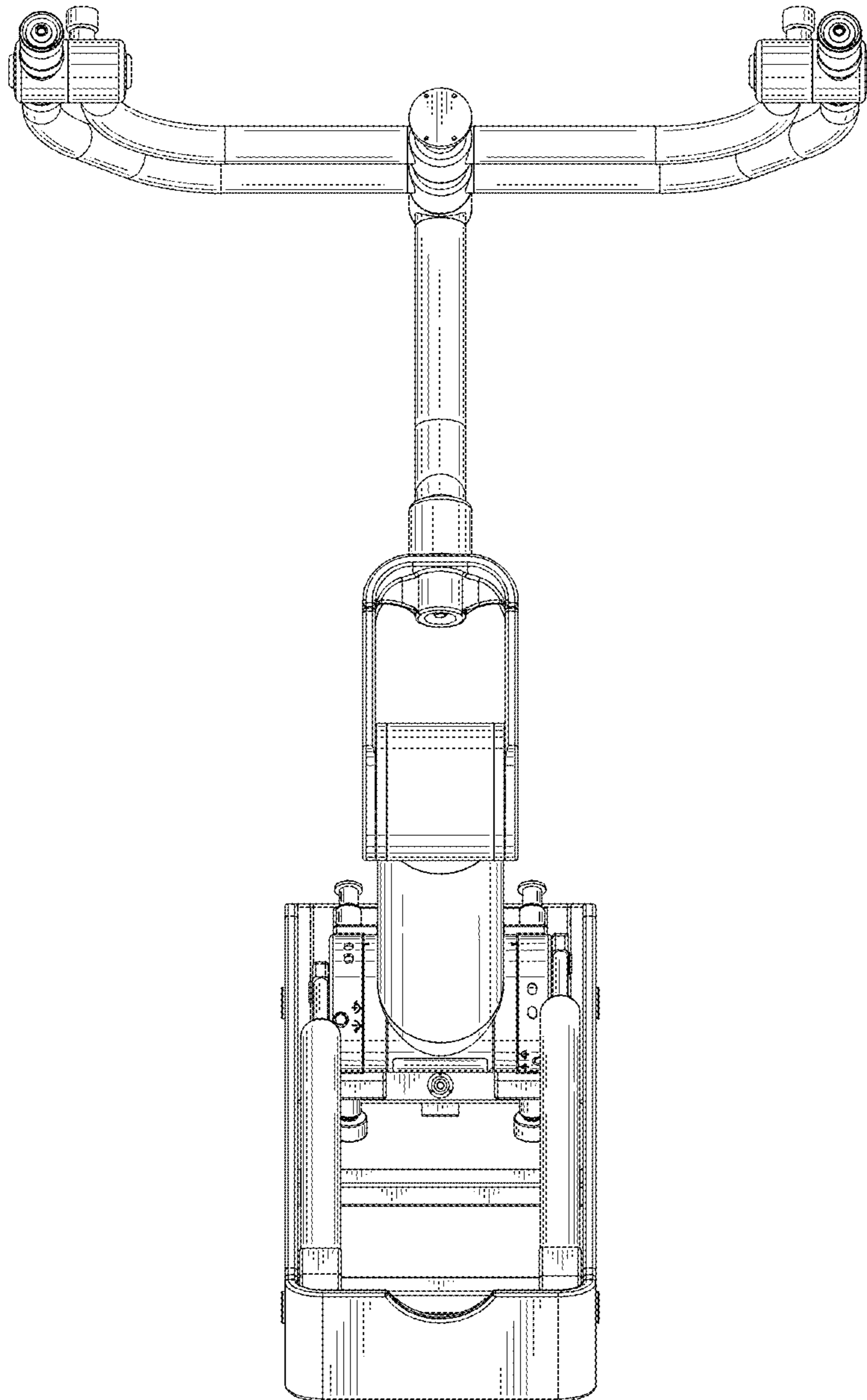


FIG. 5

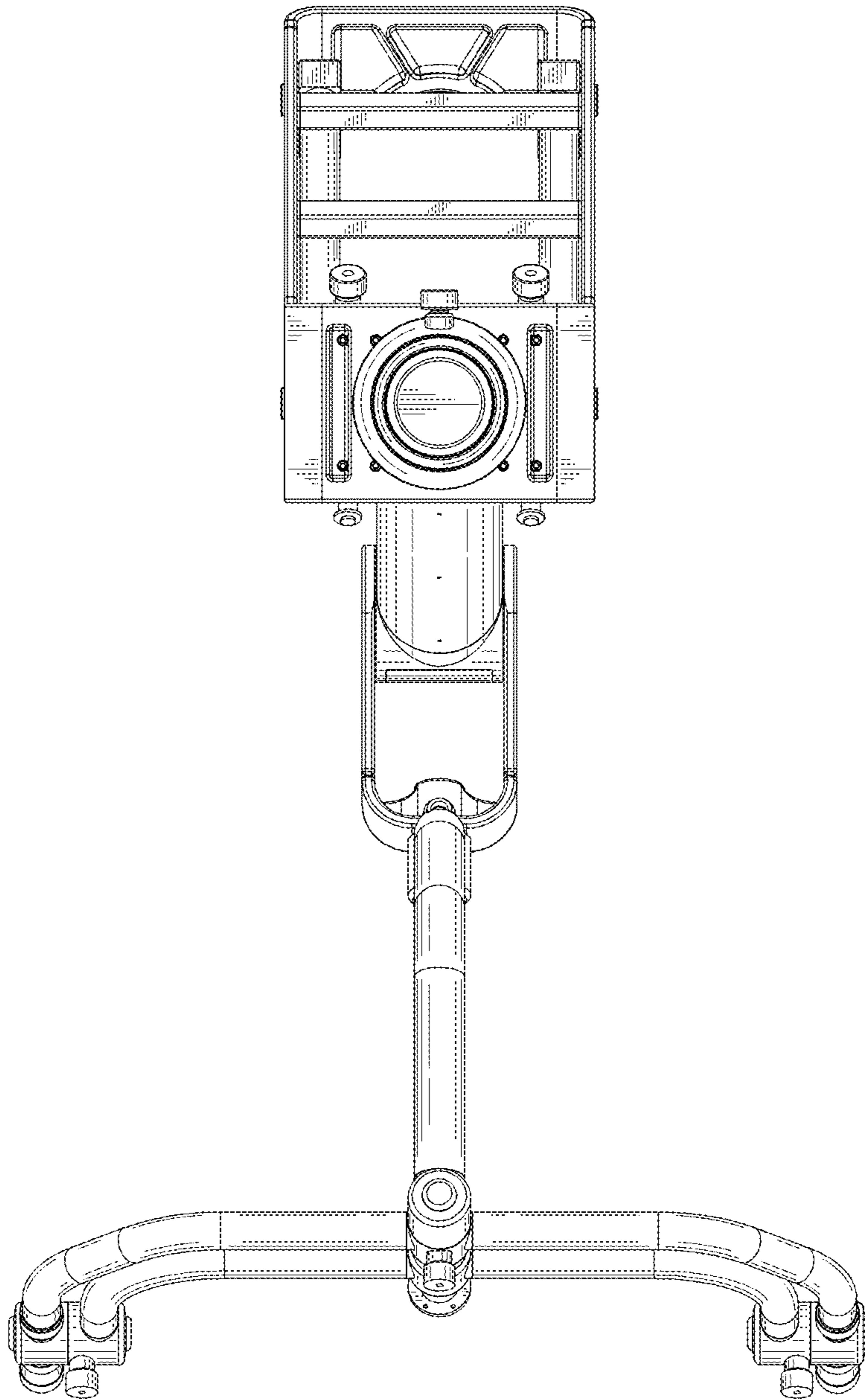


FIG. 6



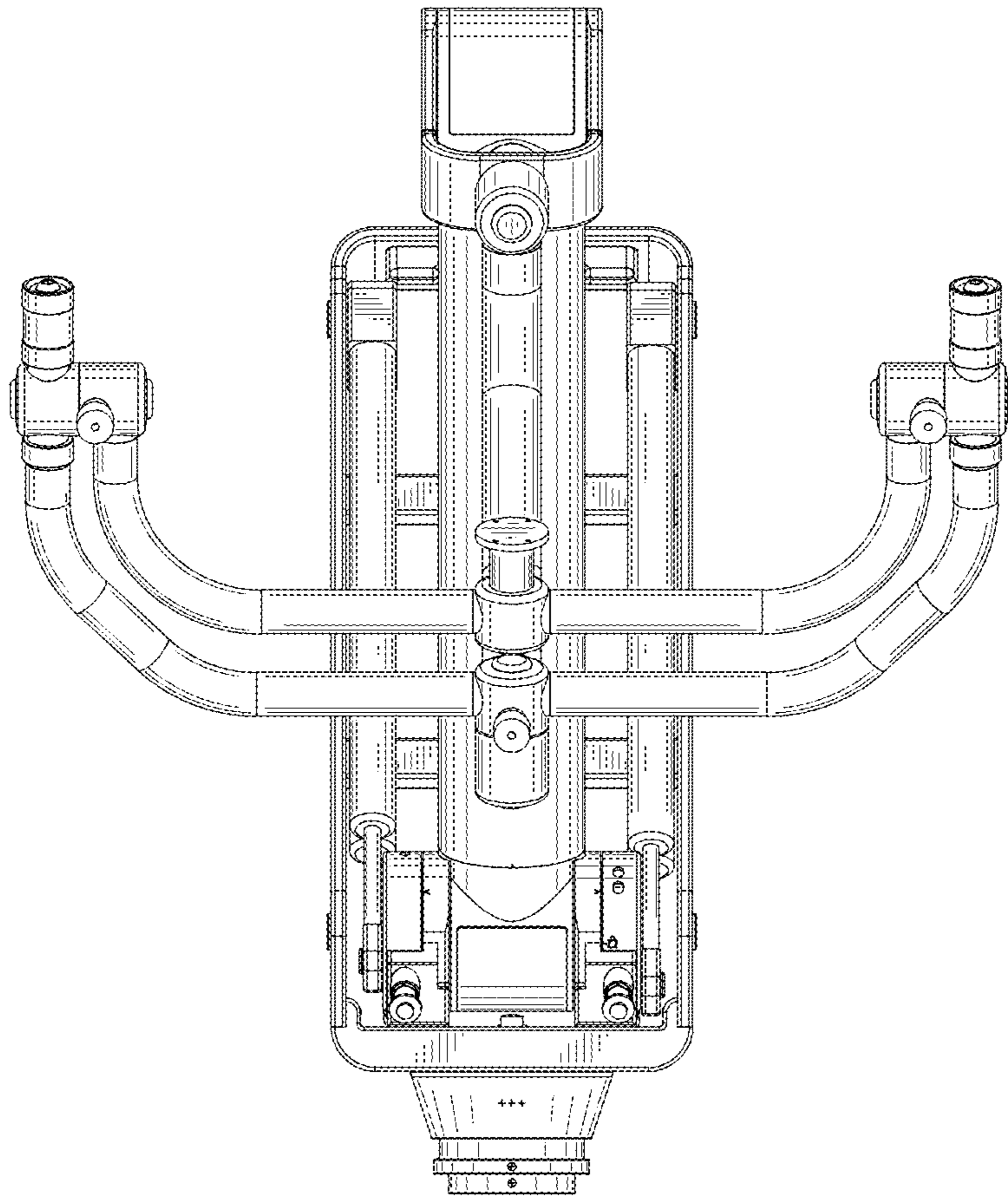


FIG. 7