



US00D943320S

(12) **United States Design Patent** (10) **Patent No.:** **US D943,320 S**
Molyneux et al. (45) **Date of Patent:** **** Feb. 15, 2022**

(54) **STORAGE CAROUSEL FOR CRAFT ITEMS**

DESCRIPTION

(71) Applicant: **COOLKATZCRAFT LTD**, Cambs (GB)

(72) Inventors: **Kay Molyneux**, Peterborough (GB);
Margaret Alice Mary Moore, Peterborough (GB)

(73) Assignee: **COOLKATZCRAFT LTD**, Cambs (GB)

(**) Term: **15 Years**

(21) Appl. No.: **29/701,942**

(22) Filed: **Aug. 15, 2019**

(30) **Foreign Application Priority Data**

Feb. 15, 2019 (GB) 6054601
Feb. 15, 2019 (GB) 6054603

(Continued)

(51) **LOC (13) Cl.** **06-06**

(52) **U.S. Cl.**
USPC **D6/677.1**

(58) **Field of Classification Search**
USPC D6/672-673, 677, 677.1, 702, 705;
D7/601-602

(Continued)

(56) **References Cited**

U.S. PATENT DOCUMENTS

D243,645 S * 3/1977 Slack D6/677
D287,633 S * 1/1987 Hollar D24/230

(Continued)

Primary Examiner — Kelley A Donnelly

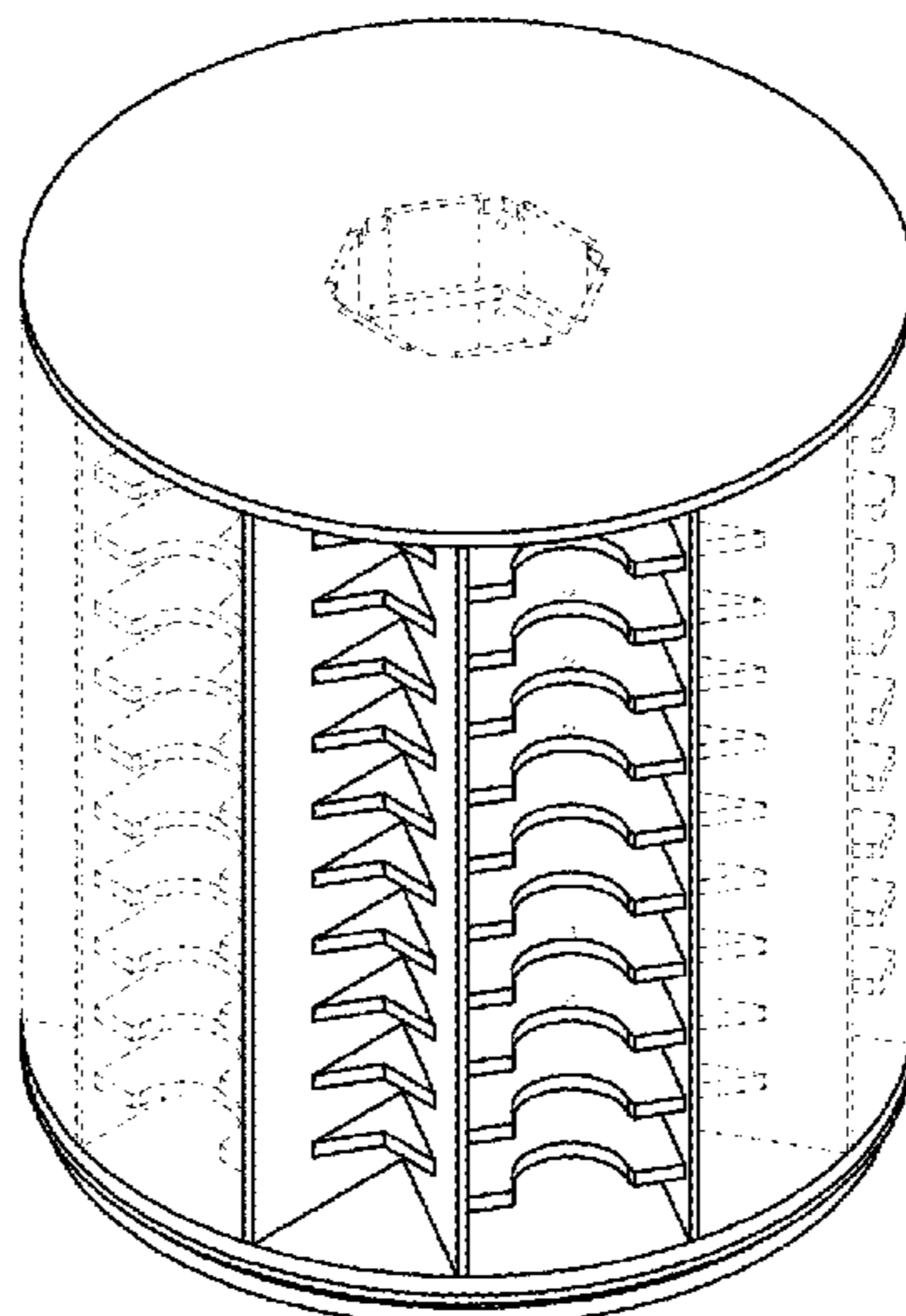
(74) *Attorney, Agent, or Firm* — Pearne & Gordon LLP

(57) **CLAIM**

We claim the ornamental designs for a storage carousel for craft items, as shown and described.

FIG. 1 is a top perspective view of a first embodiment for a storage carousel for craft items;
FIG. 2 is a bottom perspective view thereof;
FIG. 3 is a front view thereof;
FIG. 4 is a rear view thereof;
FIG. 5 is a right side view thereof;
FIG. 6 is a left side view thereof;
FIG. 7 is a top view thereof; and
FIG. 8 is a bottom view thereof.
FIG. 9 is a top perspective view of a second embodiment for a storage carousel for craft items;
FIG. 10 is a bottom perspective view thereof;
FIG. 11 is a front view thereof;
FIG. 12 is a rear view thereof;
FIG. 13 is a right side view thereof;
FIG. 14 is a left side view thereof;
FIG. 15 is a top view thereof; and
FIG. 16 is a bottom view thereof.
FIG. 17 is a top perspective view of a third embodiment for a storage carousel for craft items;
FIG. 18 is a bottom perspective view thereof;
FIG. 19 is a front view thereof;
FIG. 20 is a rear view thereof;
FIG. 21 is a right side view thereof;
FIG. 22 is a left side view thereof;
FIG. 23 is a top view thereof; and
FIG. 24 is a bottom view thereof.
FIG. 25 is a top perspective view of a fourth embodiment for a storage carousel for craft items;
FIG. 26 is a bottom perspective view thereof;
FIG. 27 is a front view thereof;
FIG. 28 is a rear view thereof;
FIG. 29 is a right side view thereof;
FIG. 30 is a left side view thereof;
FIG. 31 is a top view thereof; and
FIG. 32 is a bottom view thereof.
The broken lines in the figures illustrate the portions of the design that form no part of the claimed design.

1 Claim, 15 Drawing Sheets



(30) **Foreign Application Priority Data**

Feb. 15, 2019 (GB) 6054604
Feb. 15, 2019 (GB) 6055128
Feb. 15, 2019 (GB) 6057804
Feb. 15, 2019 (GB) 6057806
Feb. 15, 2019 (GB) 6057807

(58) **Field of Classification Search**

CPC A47J 47/16; A47J 47/00; A47G 19/12;
A47G 29/00; A47G 29/08; A47F 5/0018;
A47F 5/0043; A47F 5/04; A47F 5/02;
A47F 5/0081

See application file for complete search history.

(56) **References Cited**

U.S. PATENT DOCUMENTS

D289,199 S * 4/1987 Tag D24/230
D320,046 S * 9/1991 Clinehens D19/75
D320,141 S * 9/1991 Farrell D6/677.1
D343,184 S * 1/1994 Kahn D16/236
D375,648 S * 11/1996 Geffen D6/630
D455,577 S * 4/2002 Wilson, Jr. D6/677.1
D464,533 S * 10/2002 McGuyer D7/600
7,222,739 B2 * 5/2007 DeNatale, Jr. A47B 49/00
211/40
D584,358 S * 1/2009 Schag D19/90
D603,187 S * 11/2009 Conway D6/677.1
D741,631 S * 10/2015 Bertault D6/677
D793,129 S * 8/2017 Bertault D6/677.1
D825,077 S * 8/2018 Bohm D24/227
D830,746 S * 10/2018 Johnson D6/677.1
D868,485 S * 12/2019 Thelusma D6/315
D891,637 S * 7/2020 Newberg D24/227

* cited by examiner

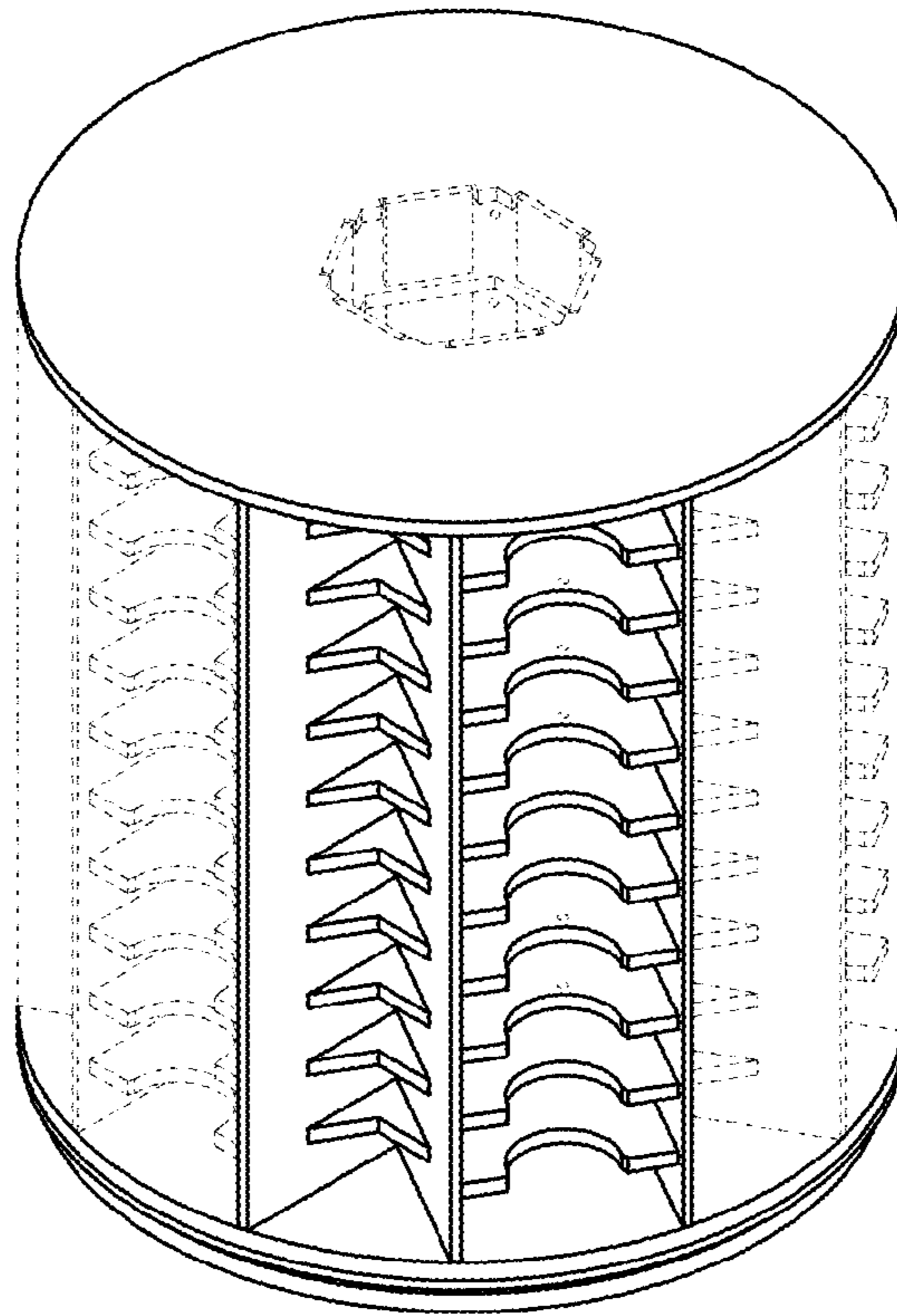


FIG. 1

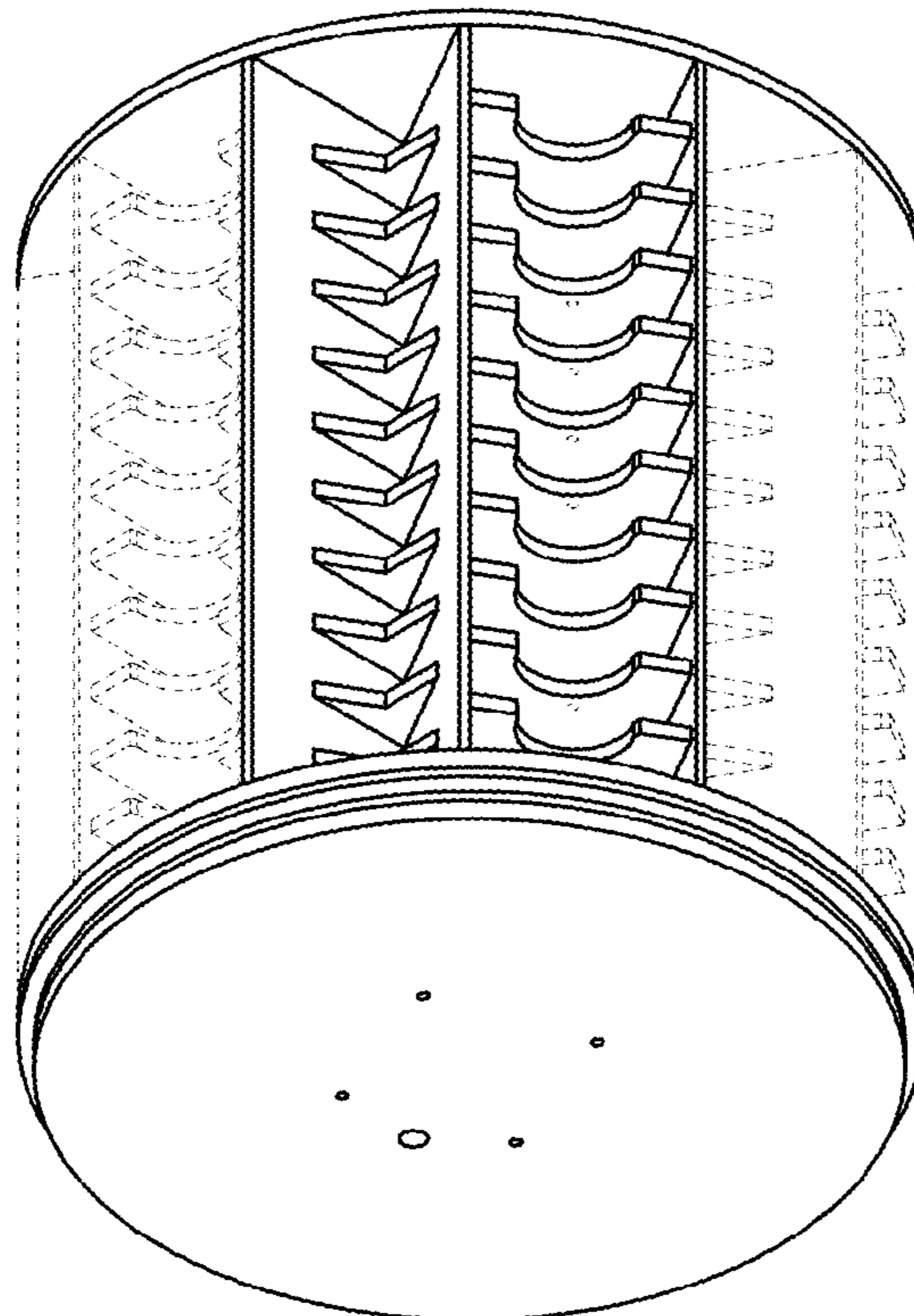


FIG. 2

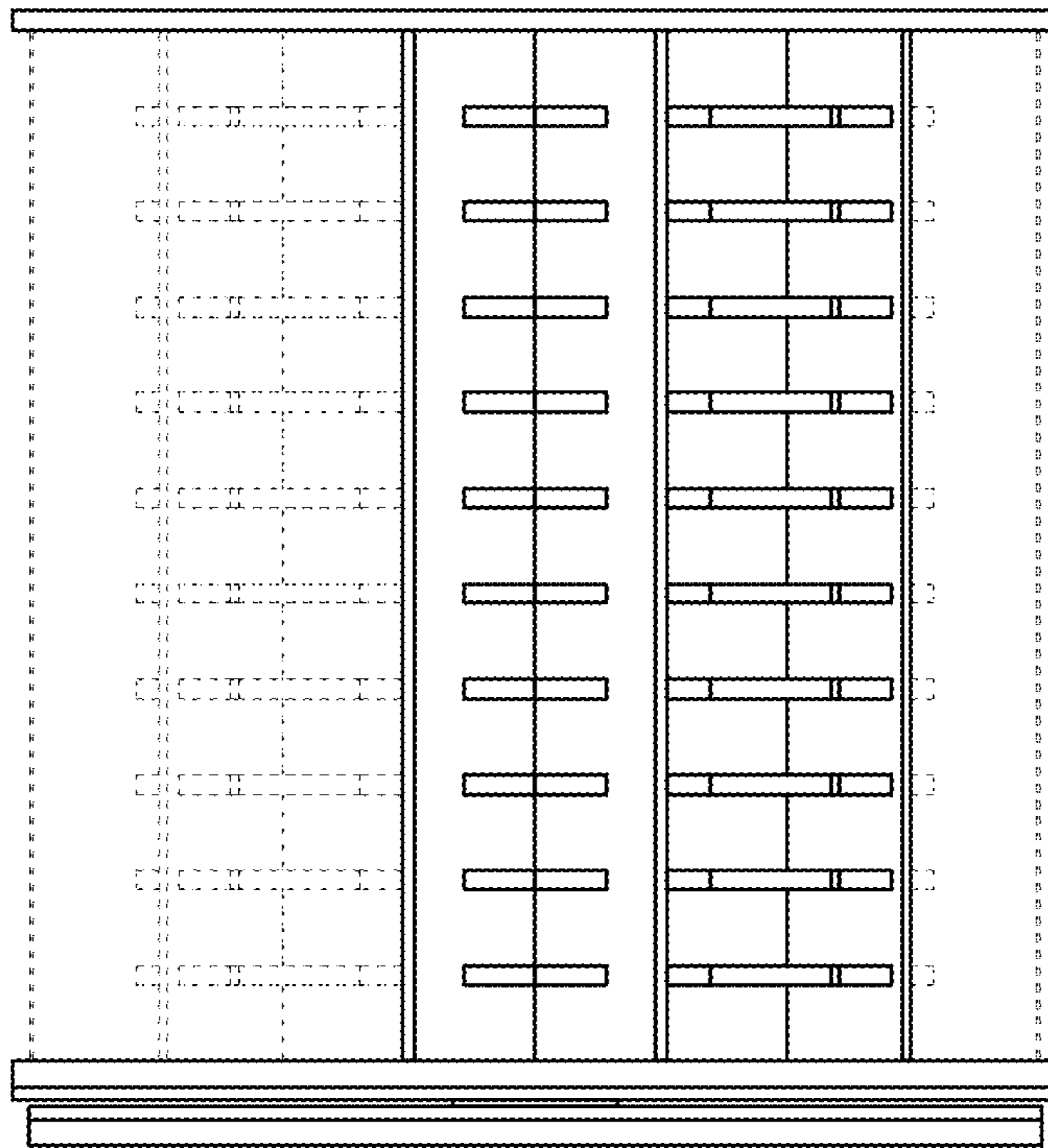


FIG. 3

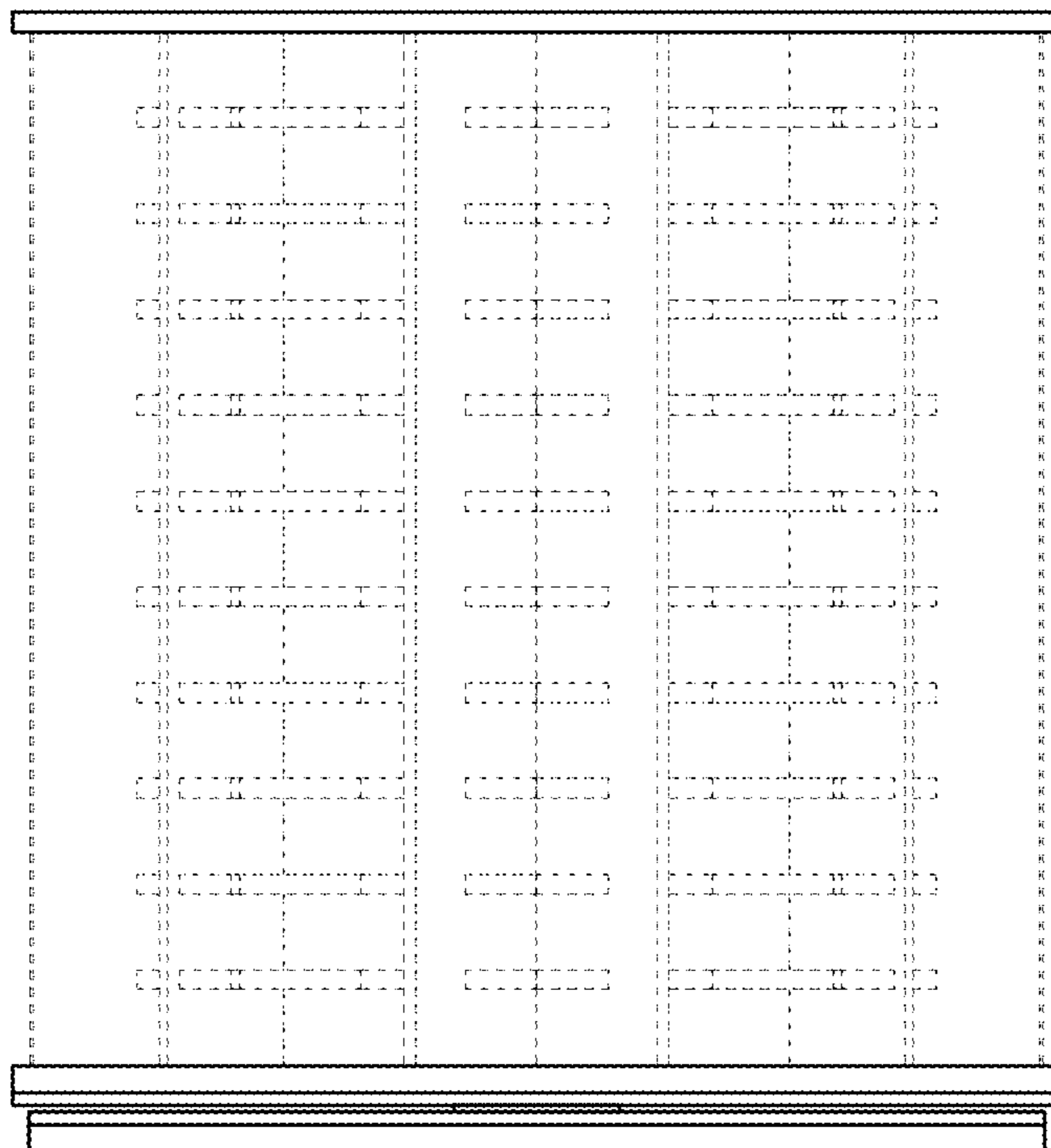


FIG. 4

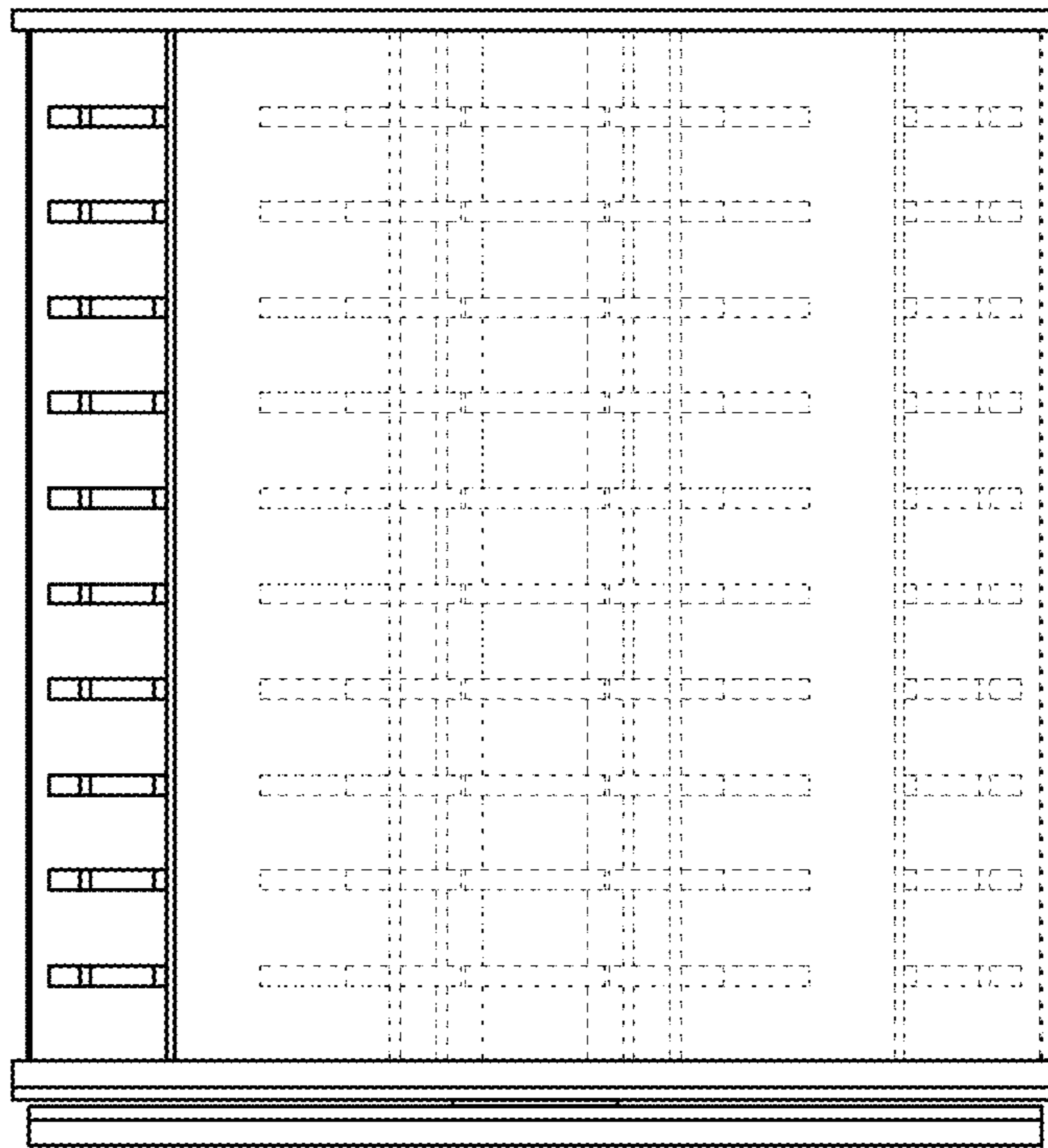


FIG. 5

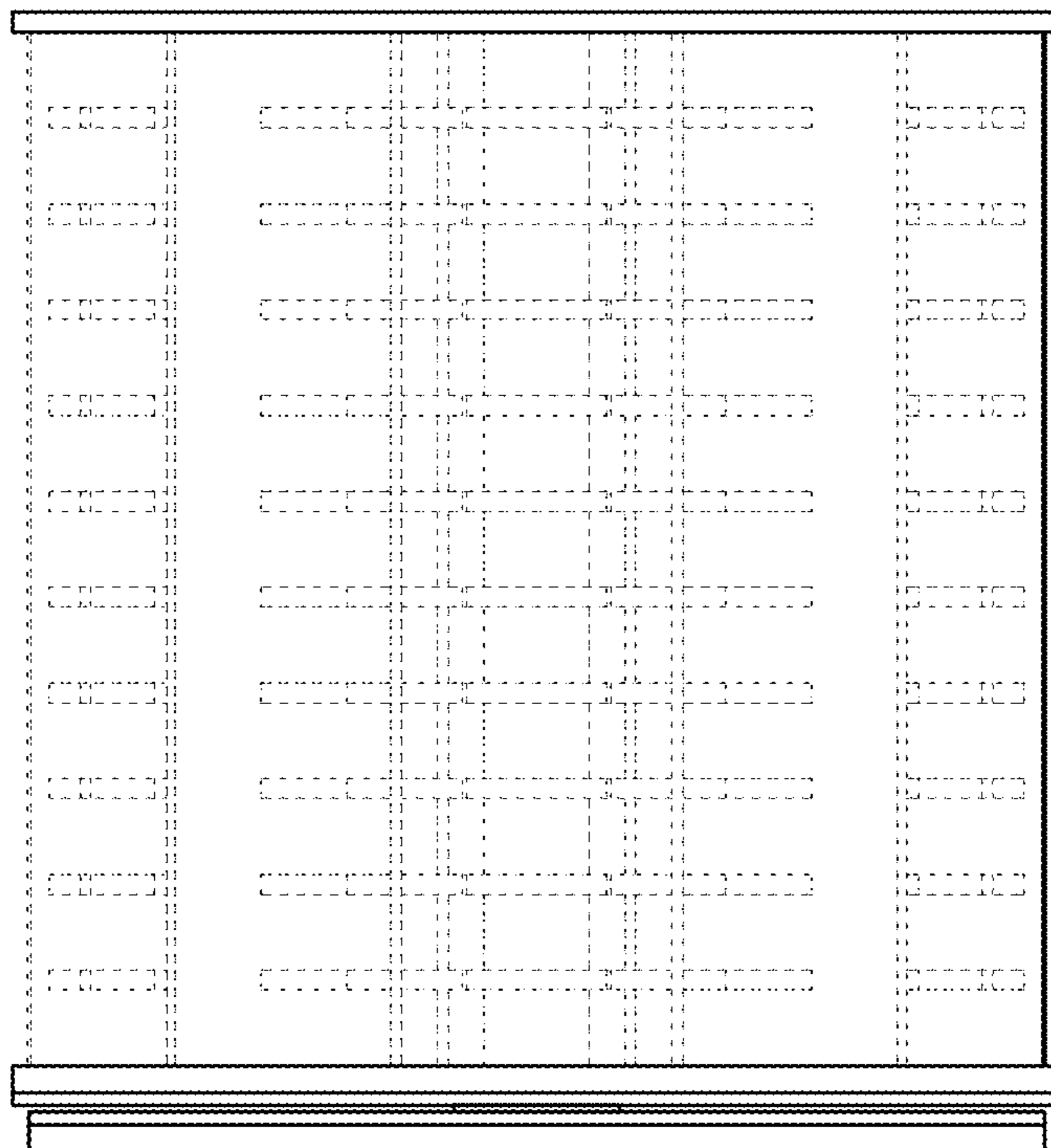


FIG. 6

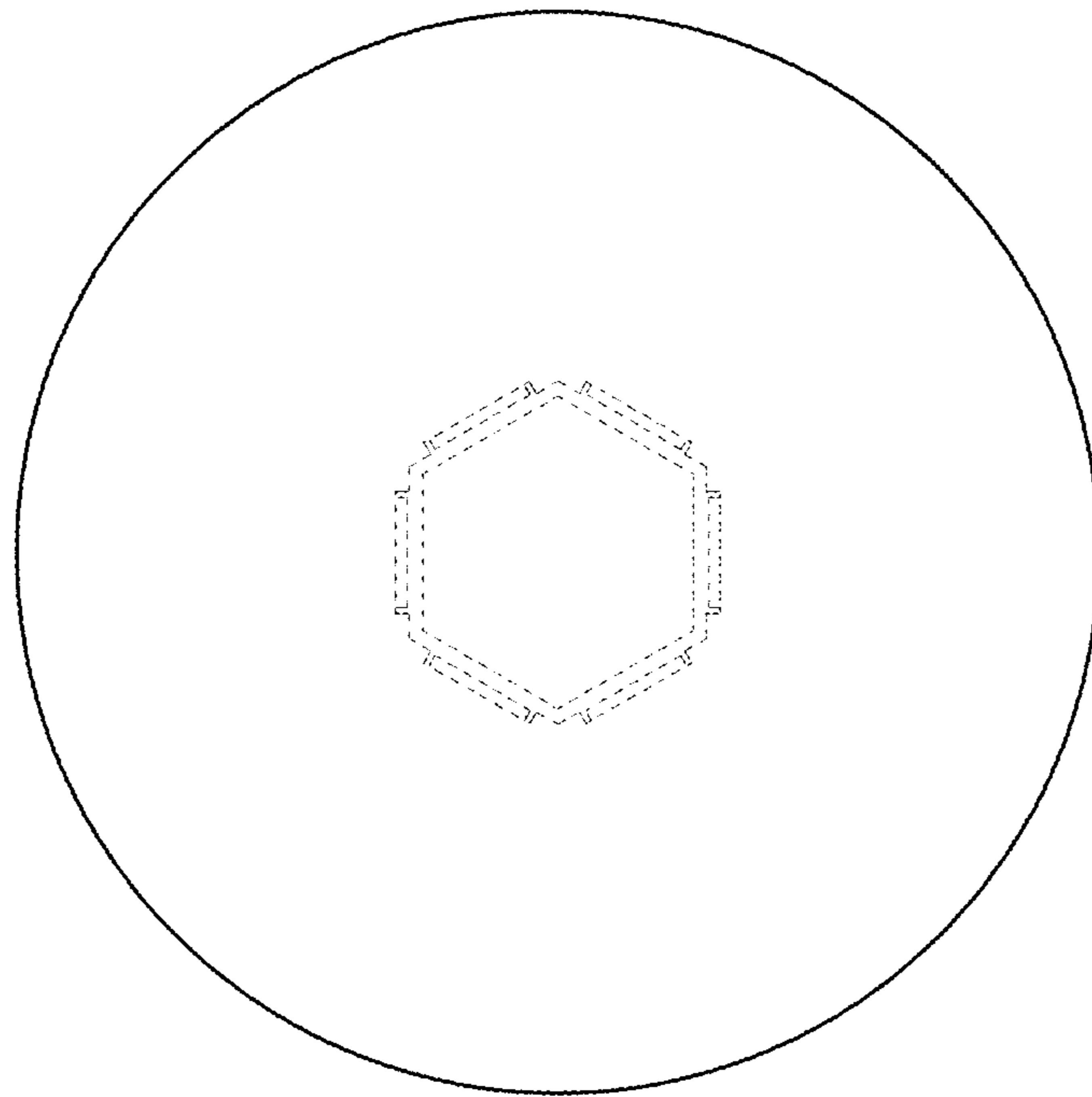


FIG. 7

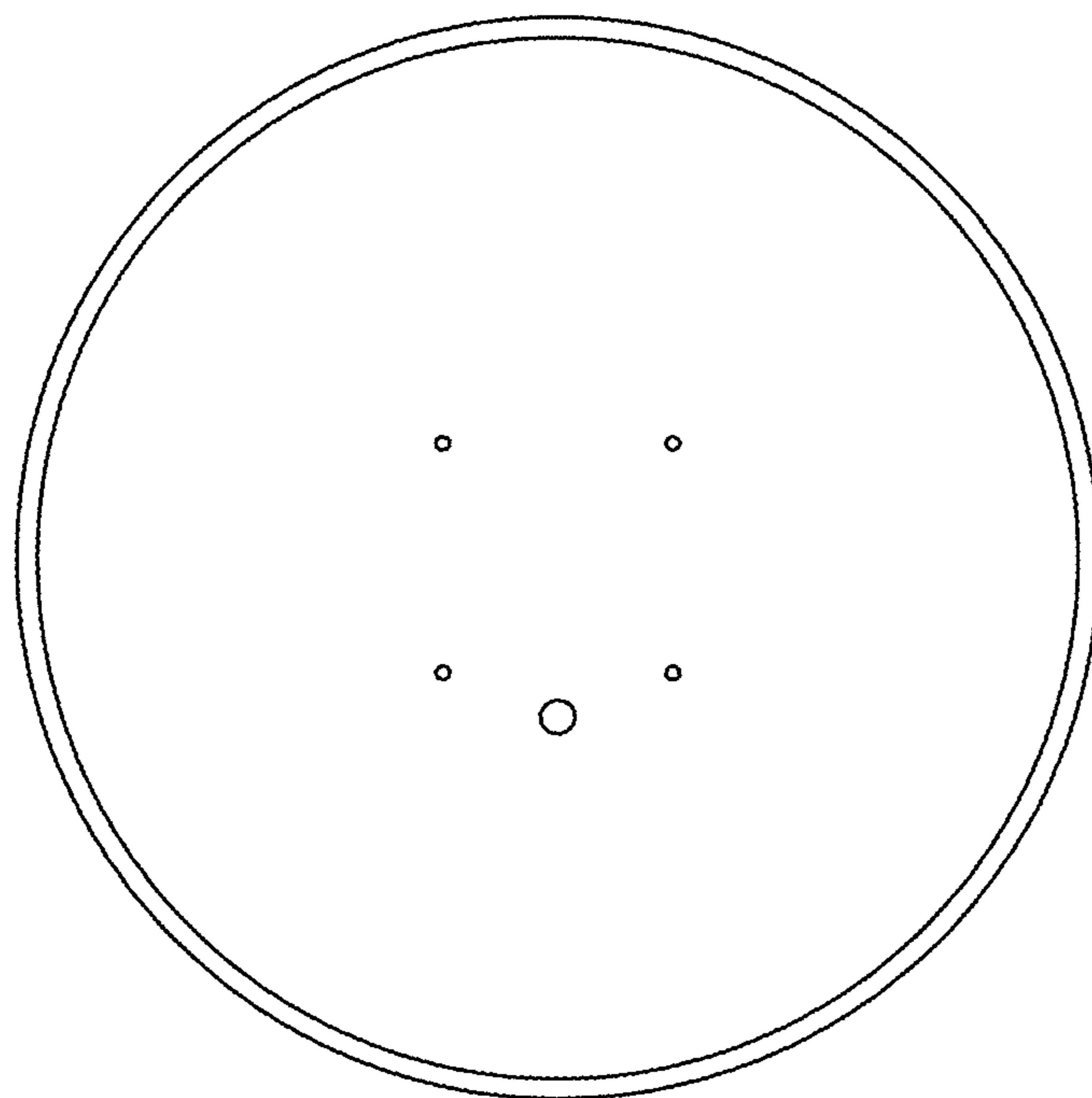


FIG. 8

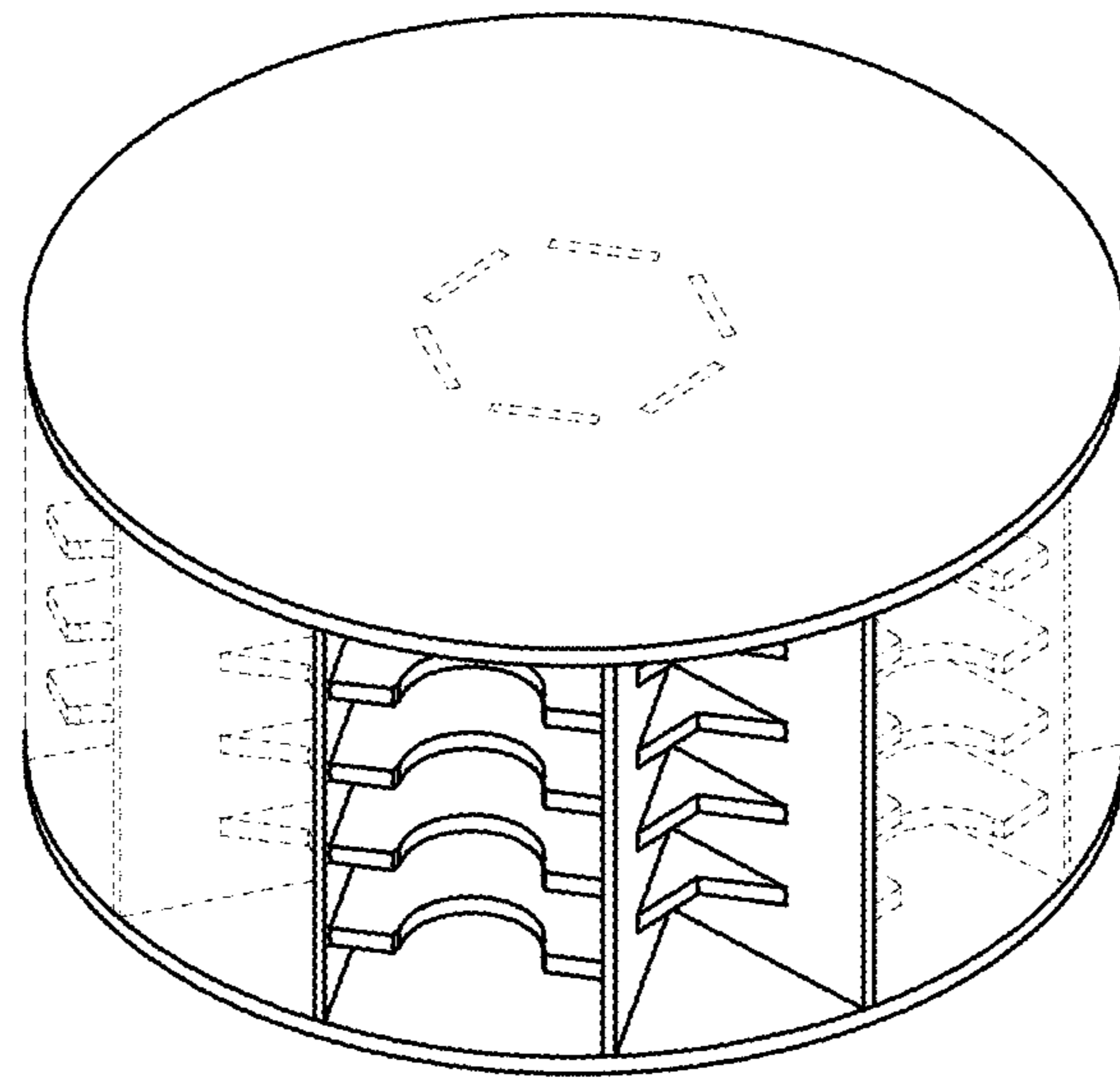


FIG. 9

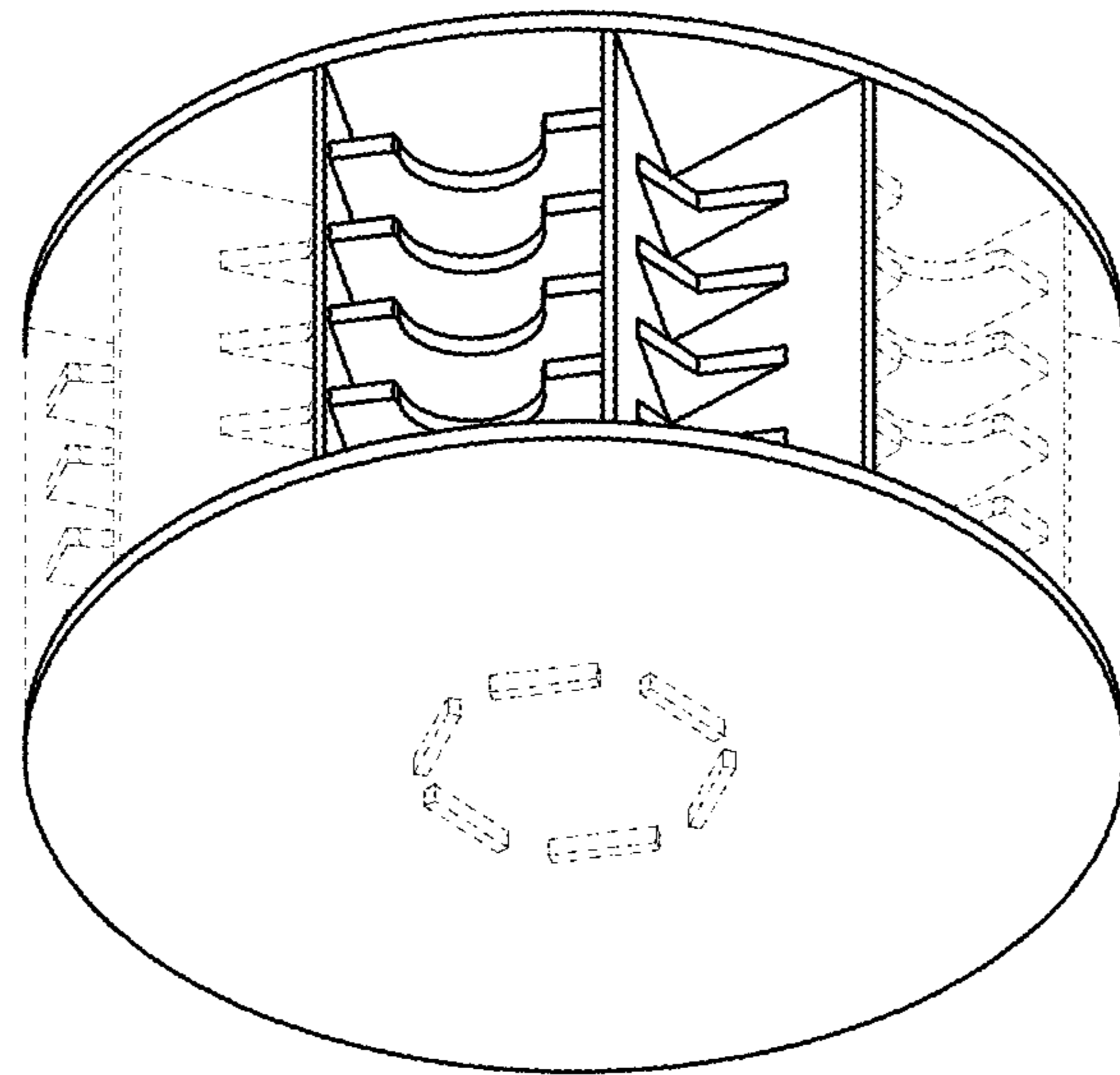


FIG. 10

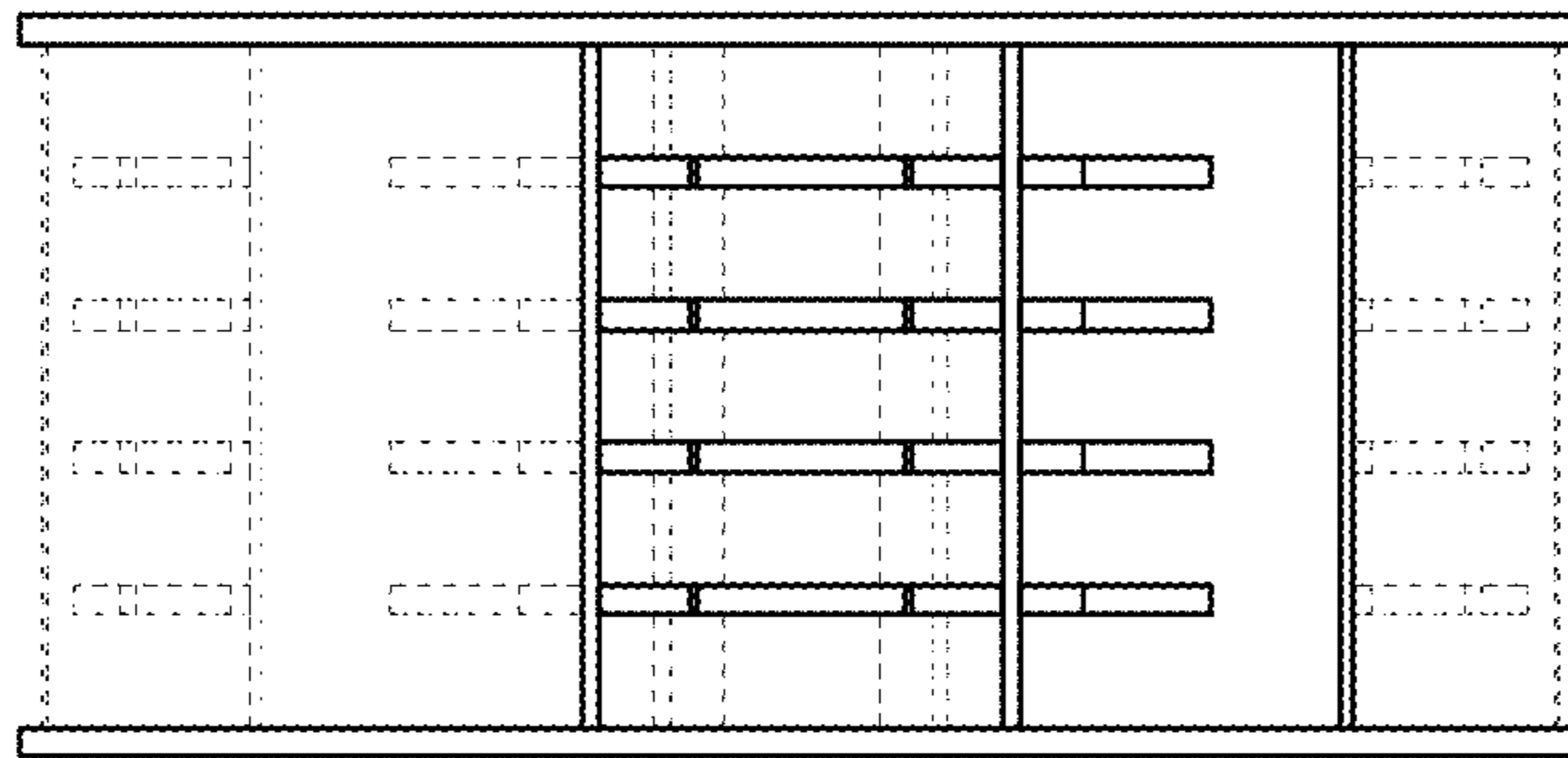


FIG. 11

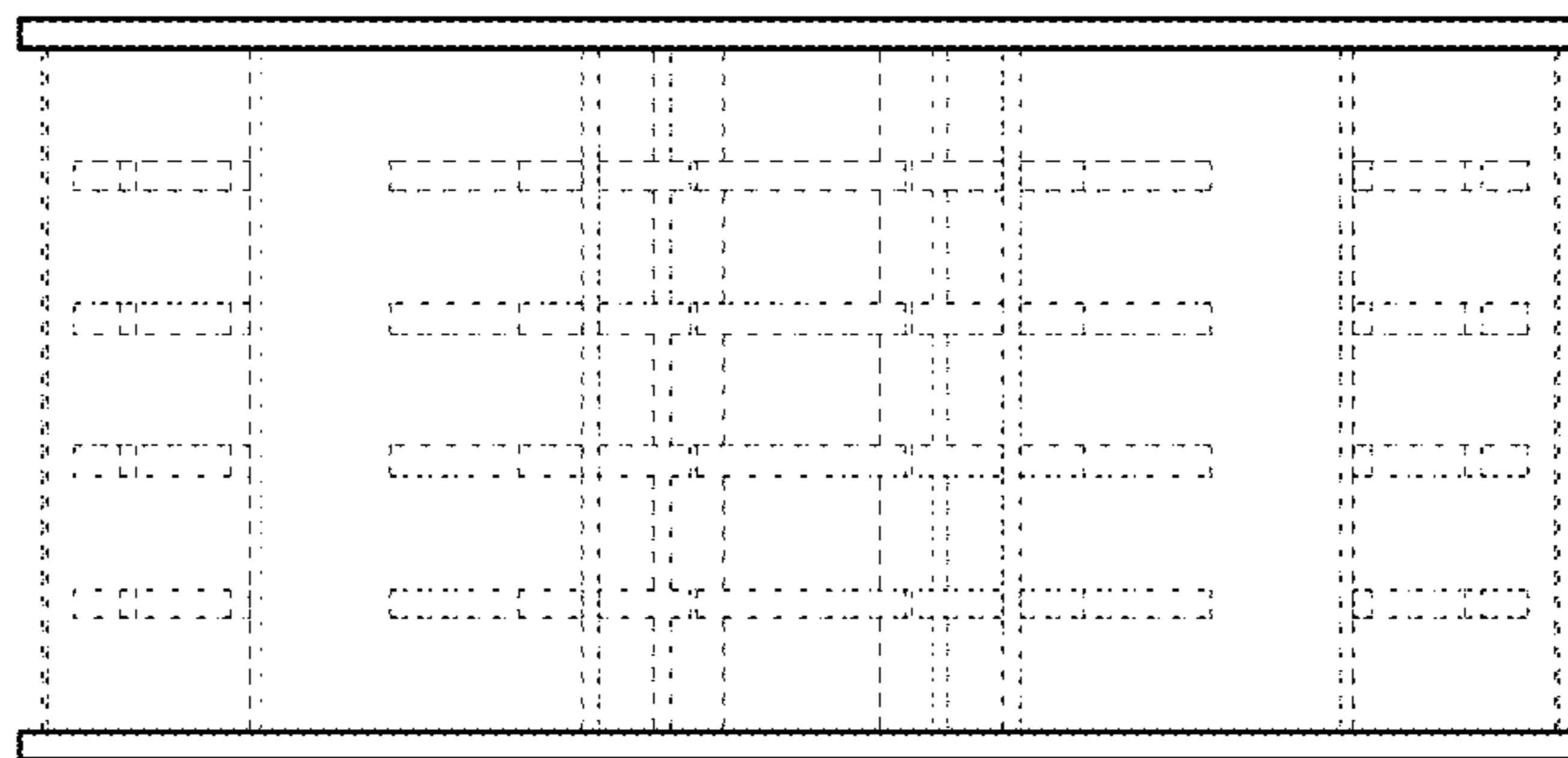


FIG. 12

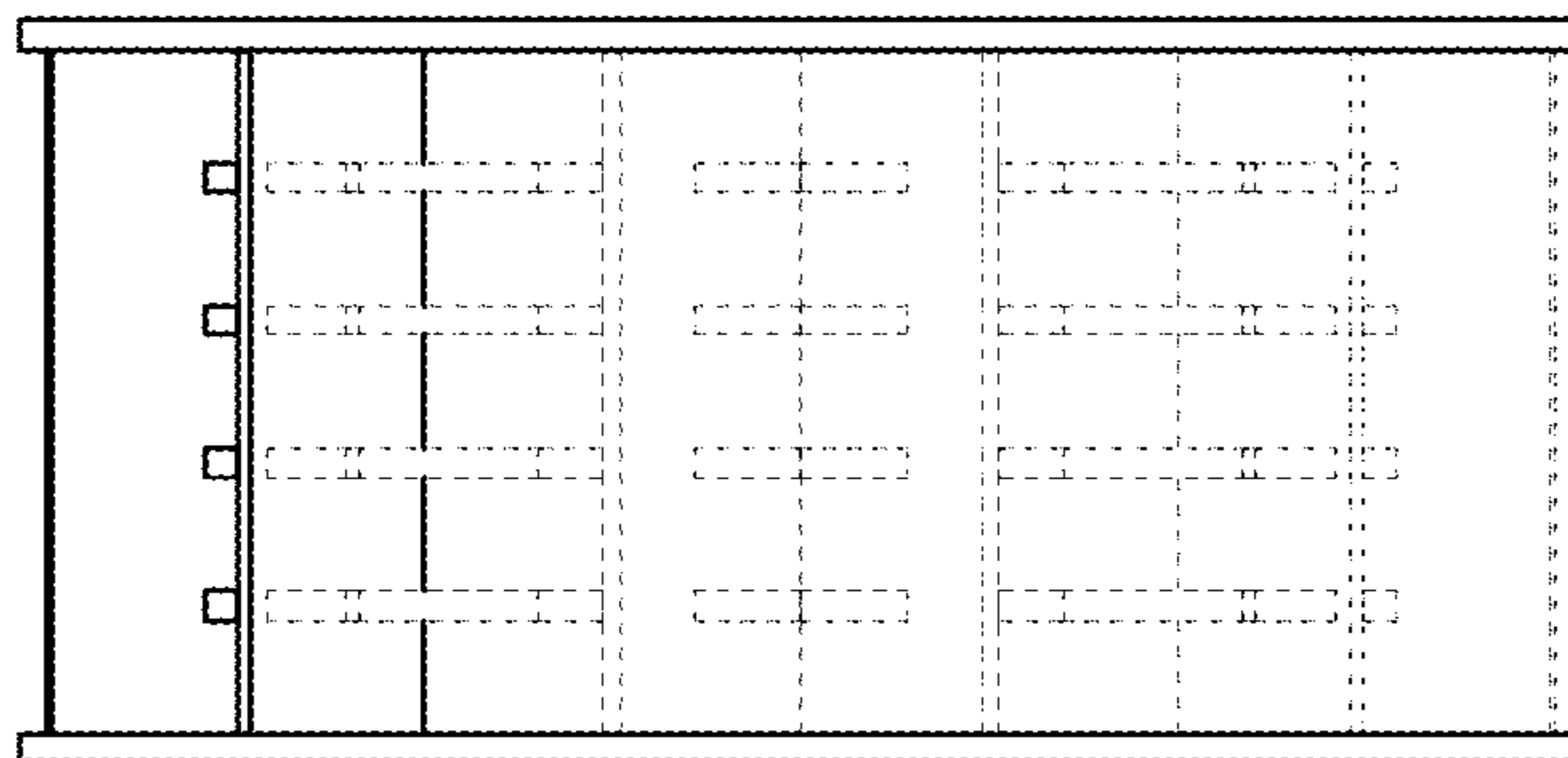


FIG. 13

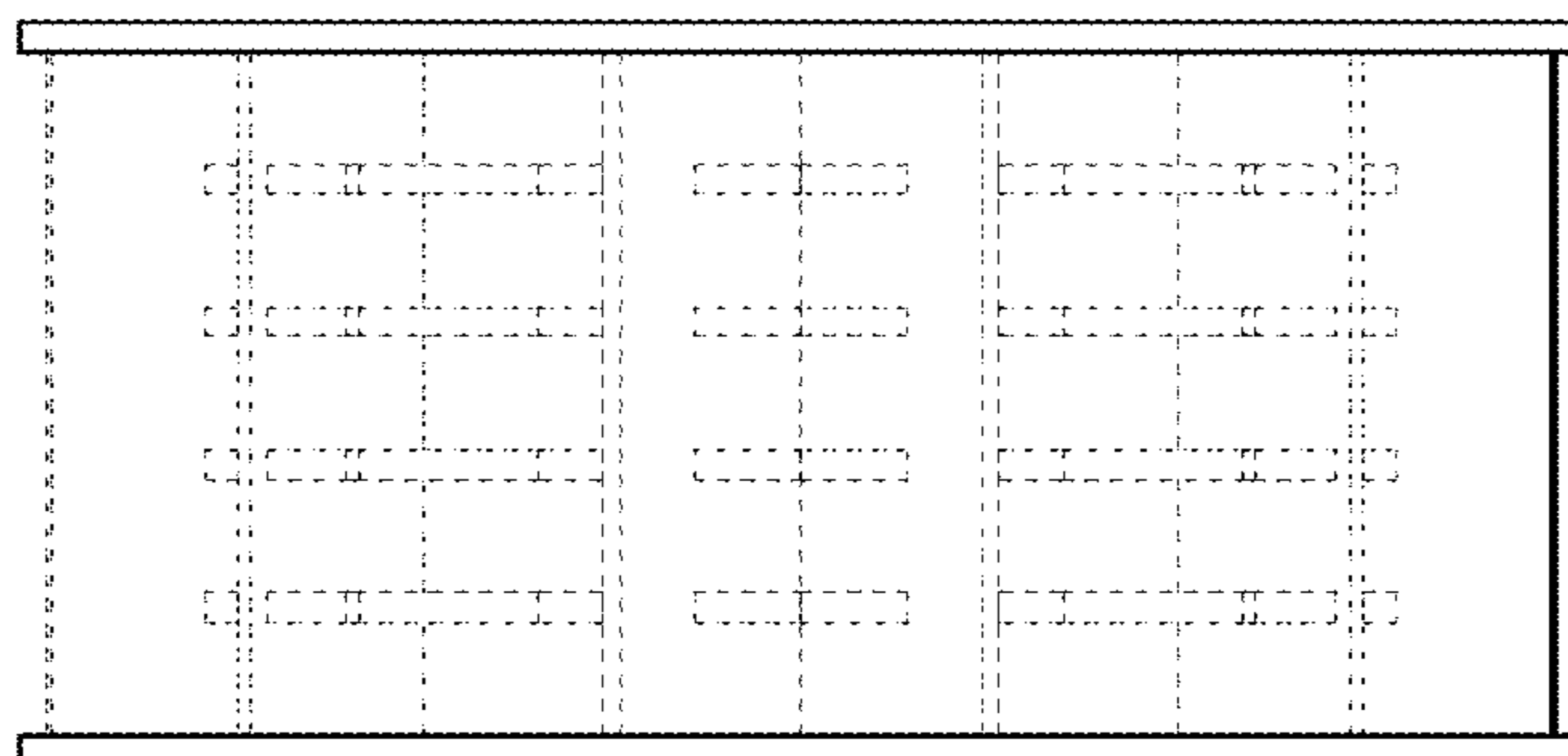


FIG. 14

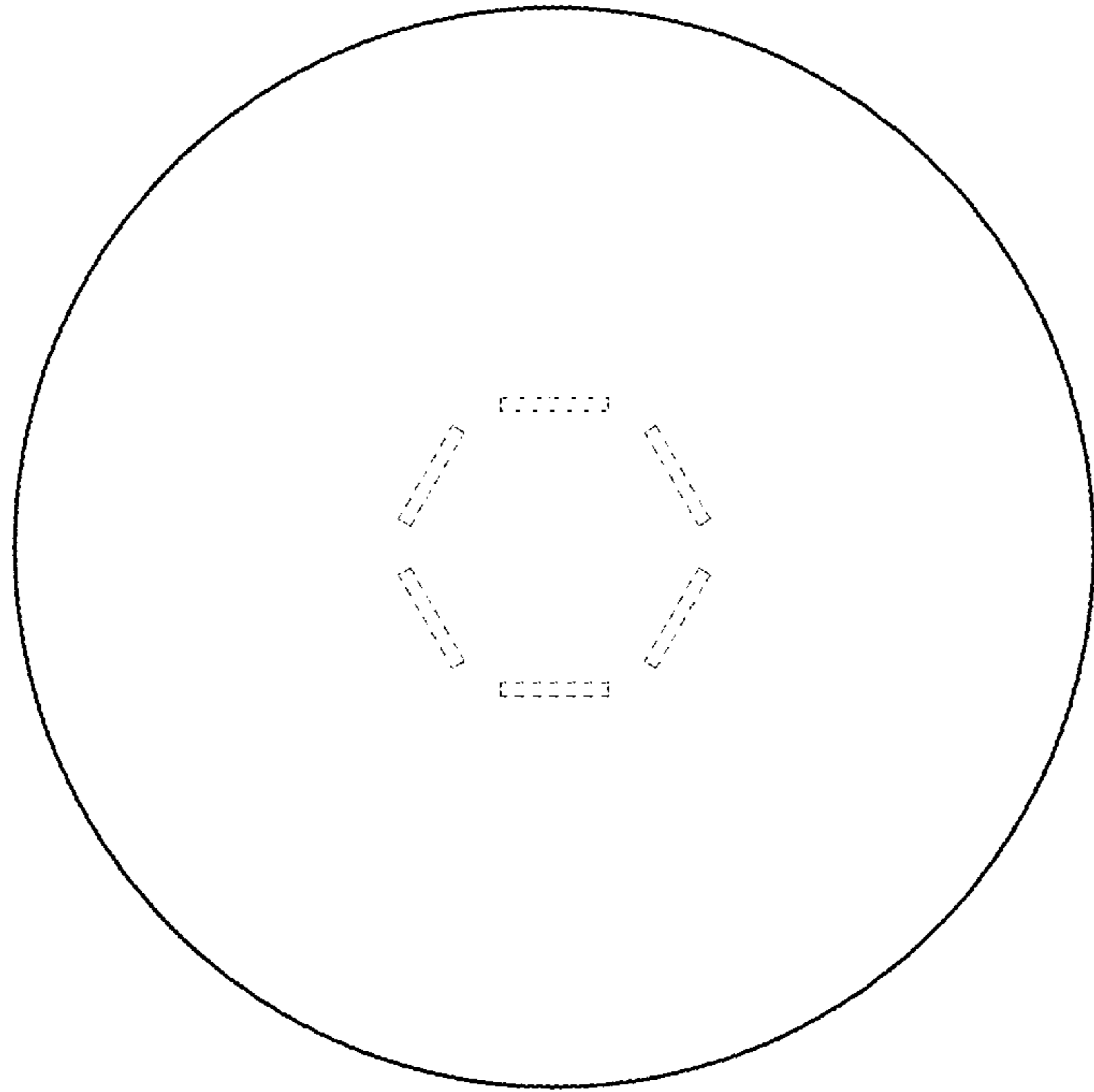


FIG. 15

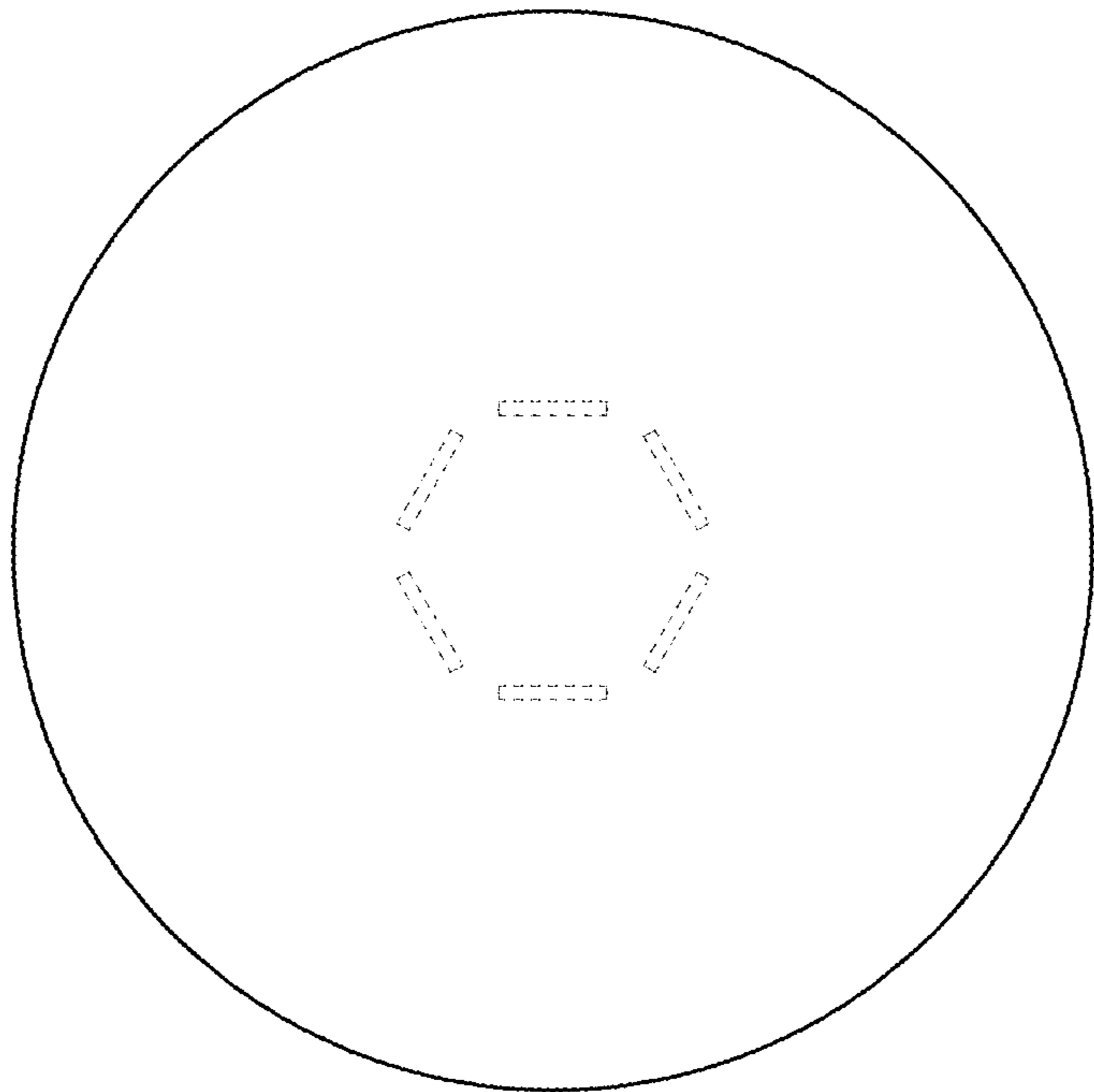


FIG. 16

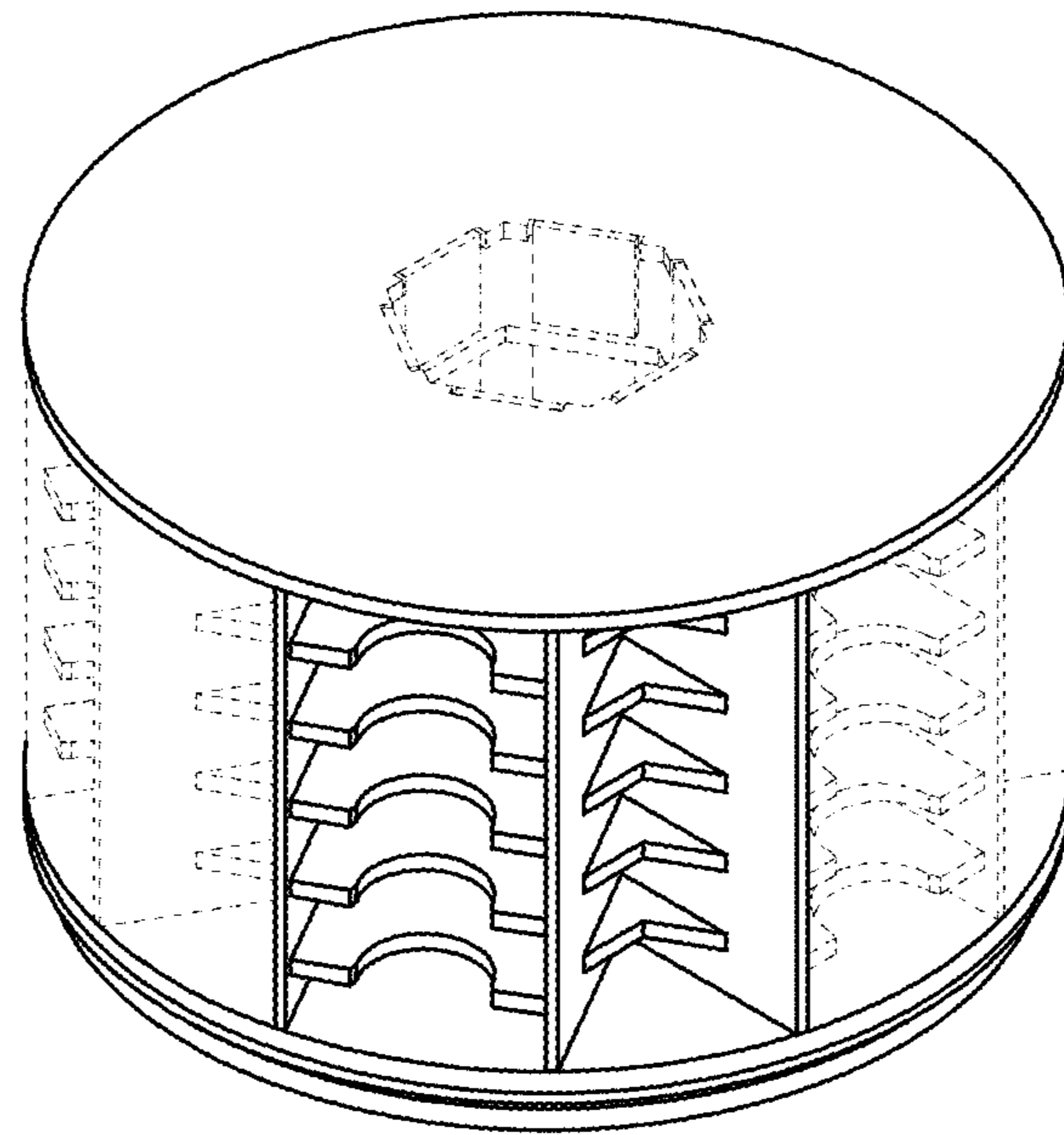


FIG. 17

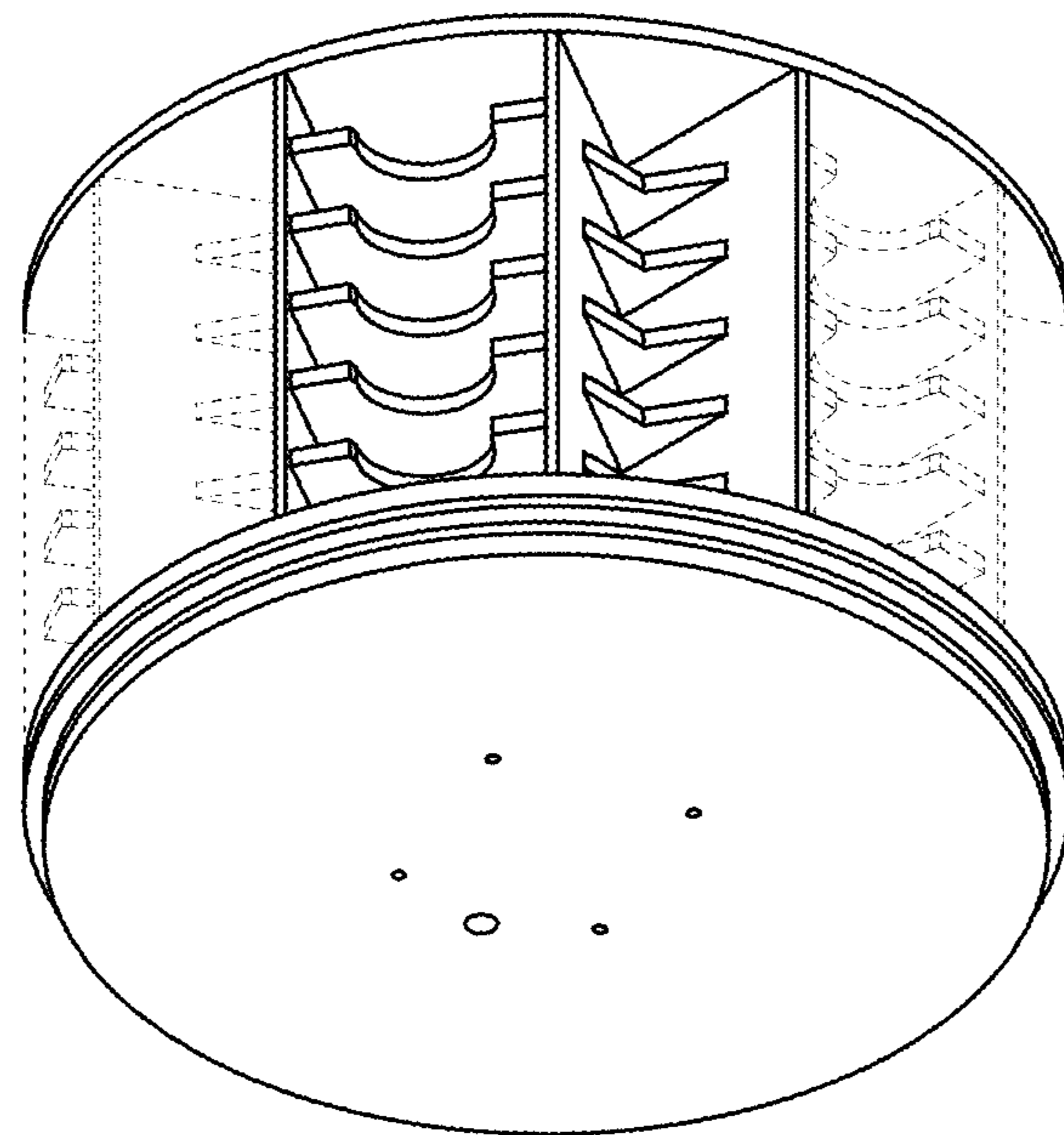


FIG. 18

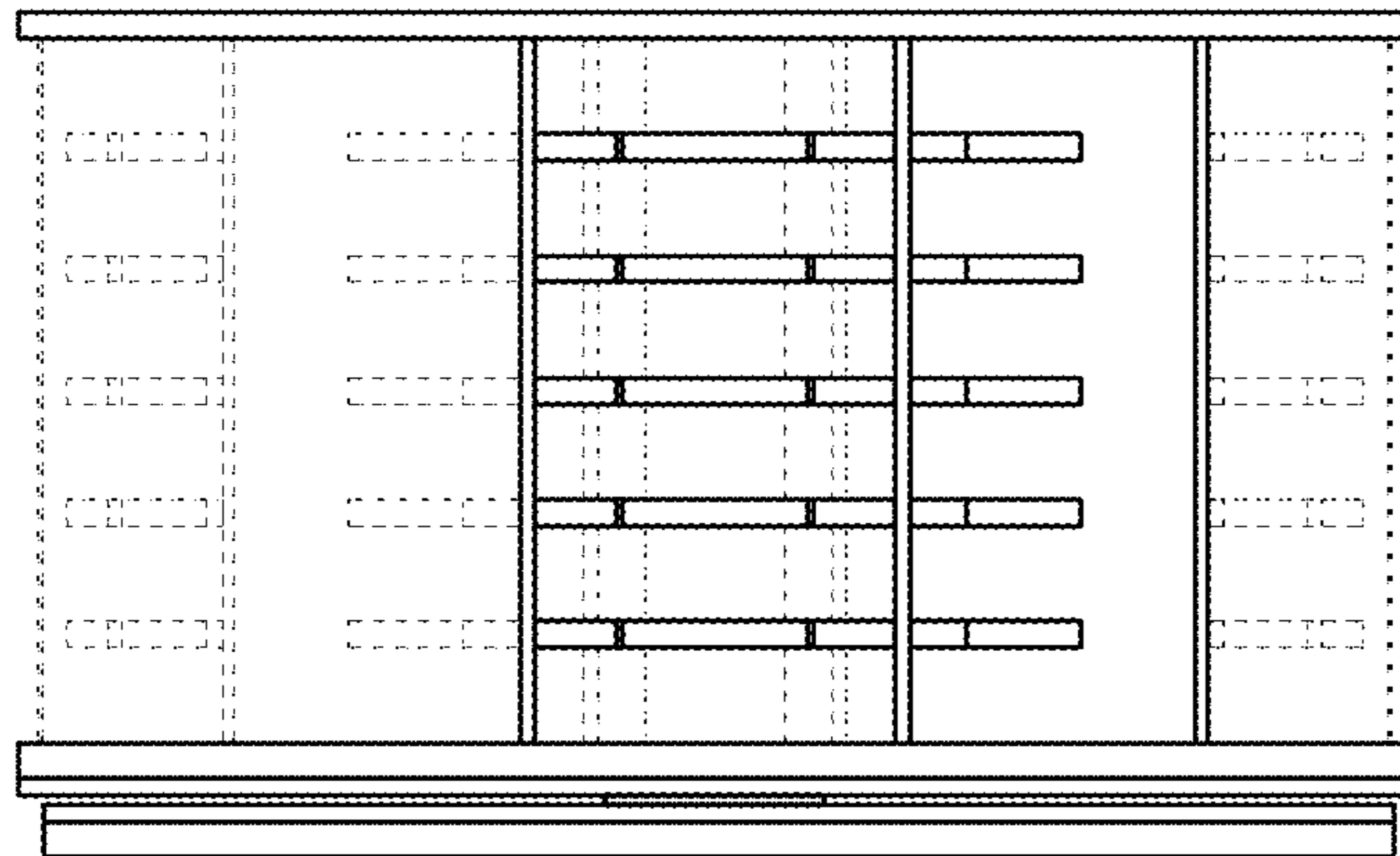


FIG. 19

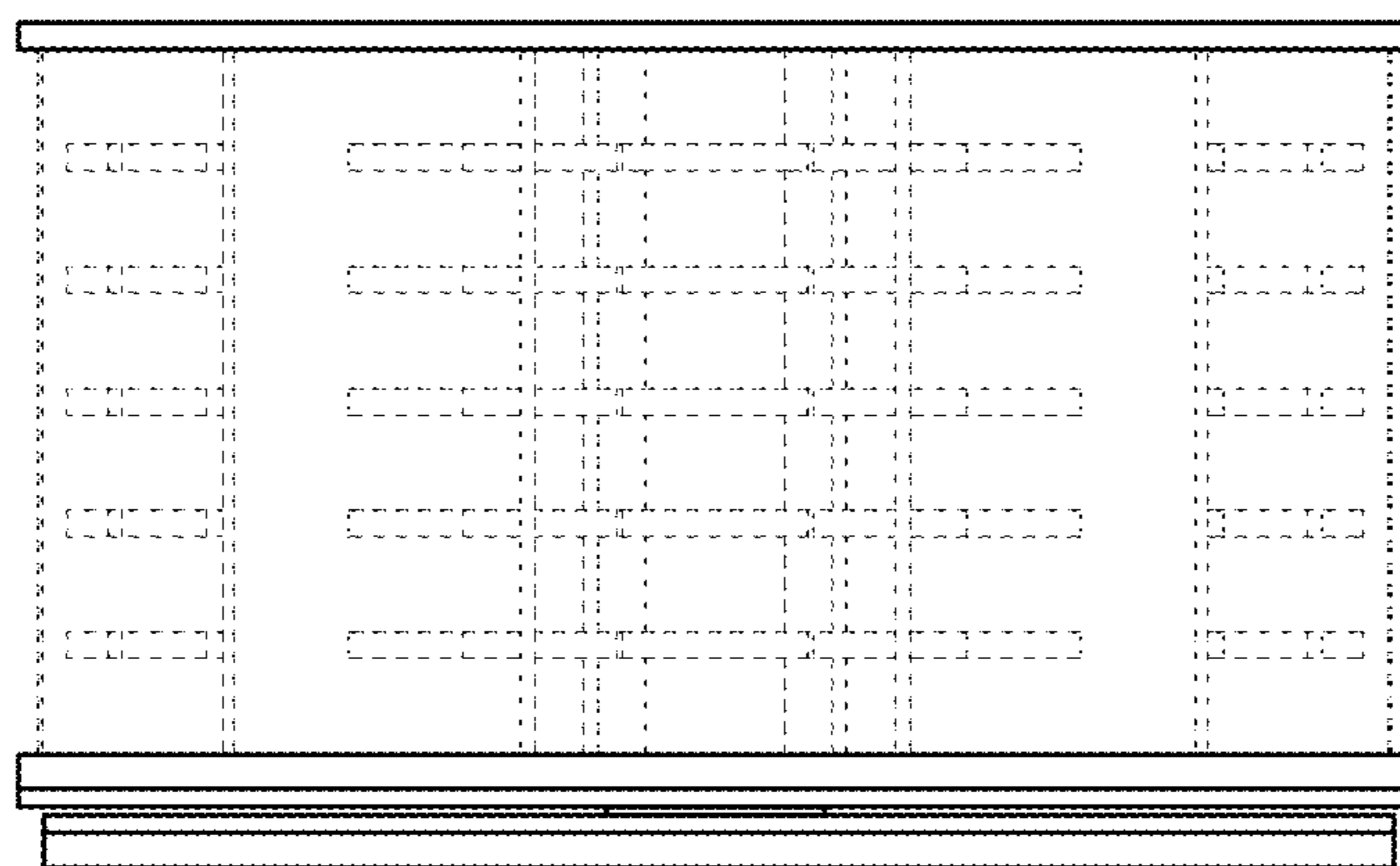


FIG. 20

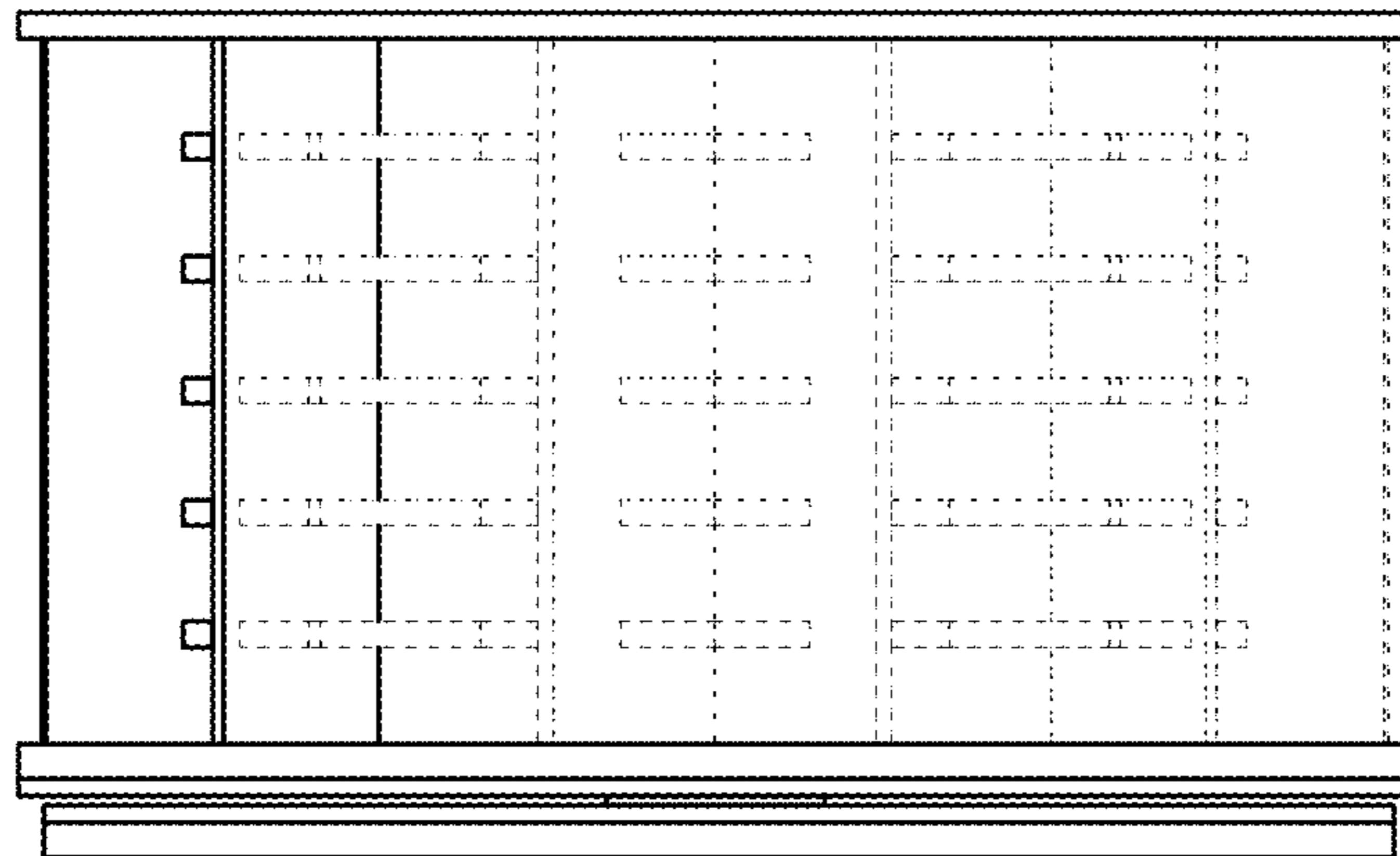


FIG. 21

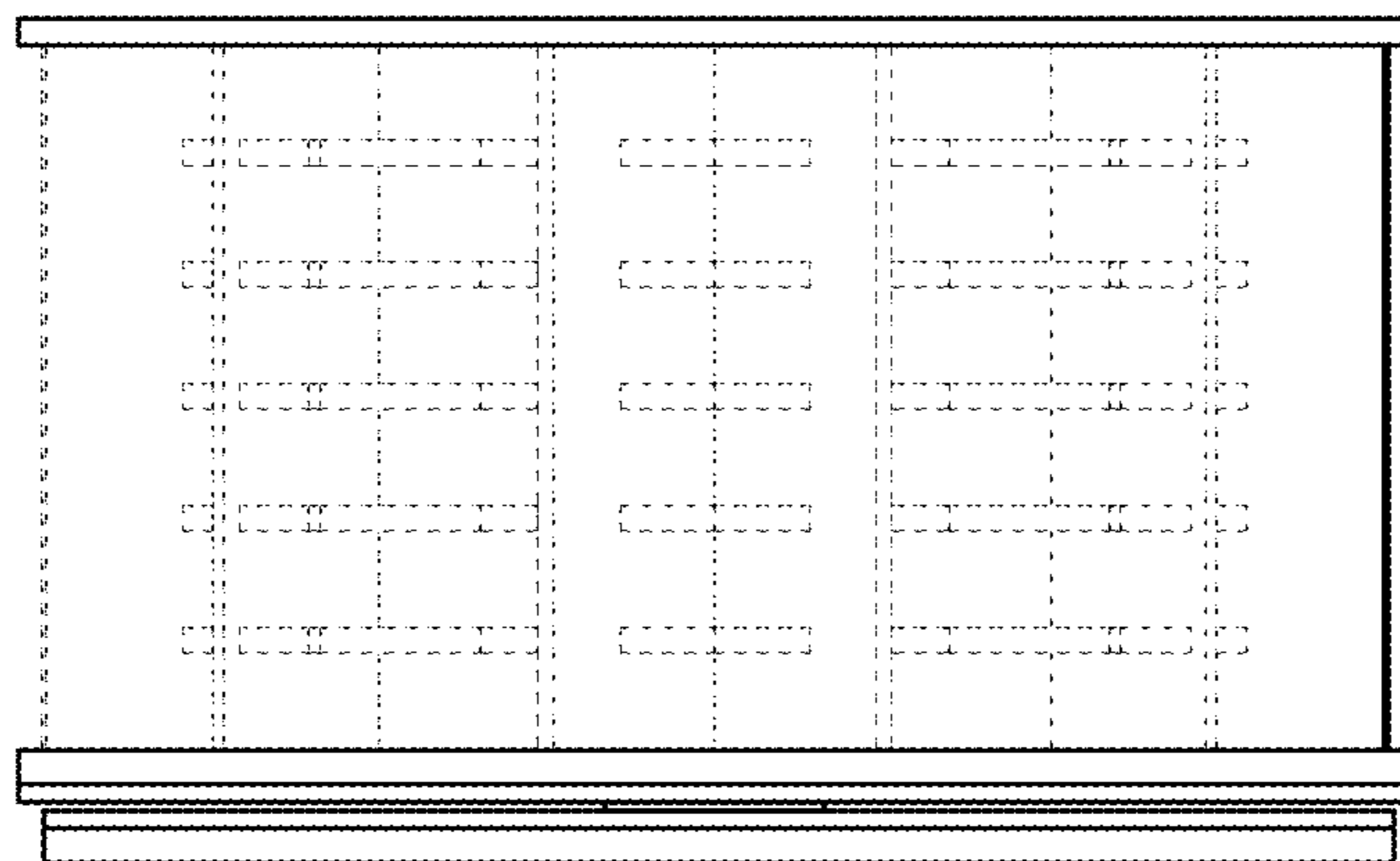


FIG. 22

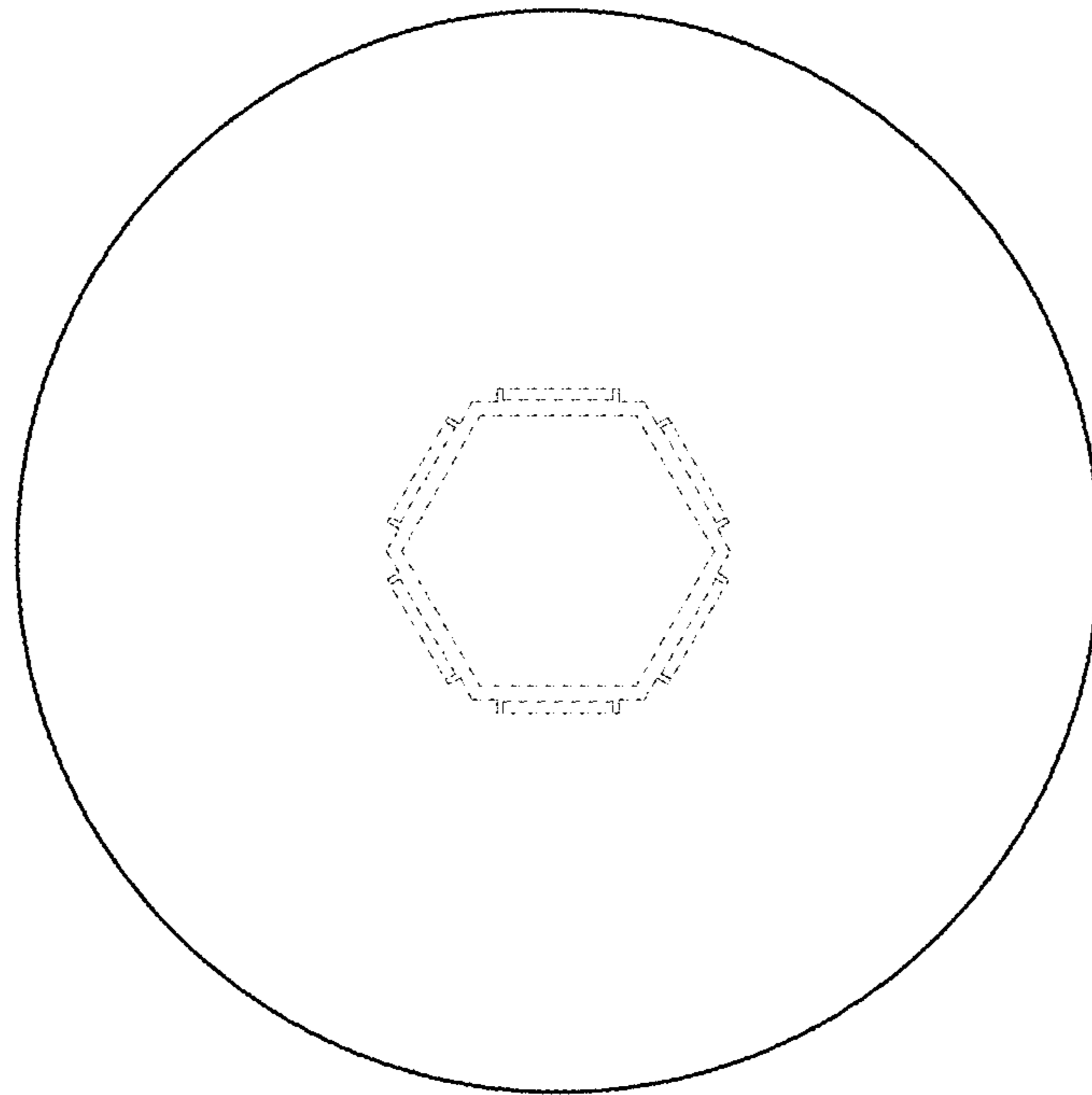


FIG. 23

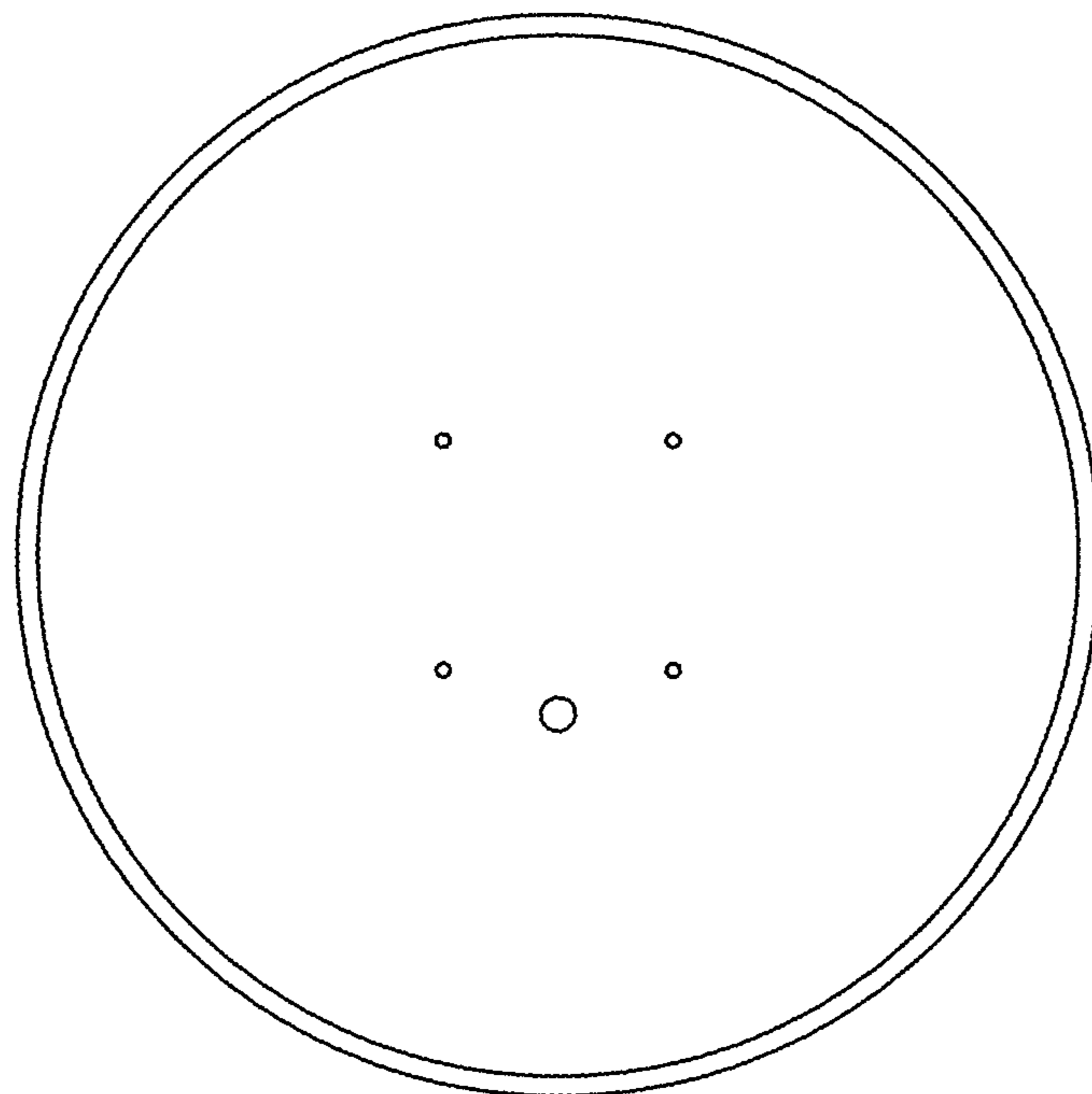


FIG. 24

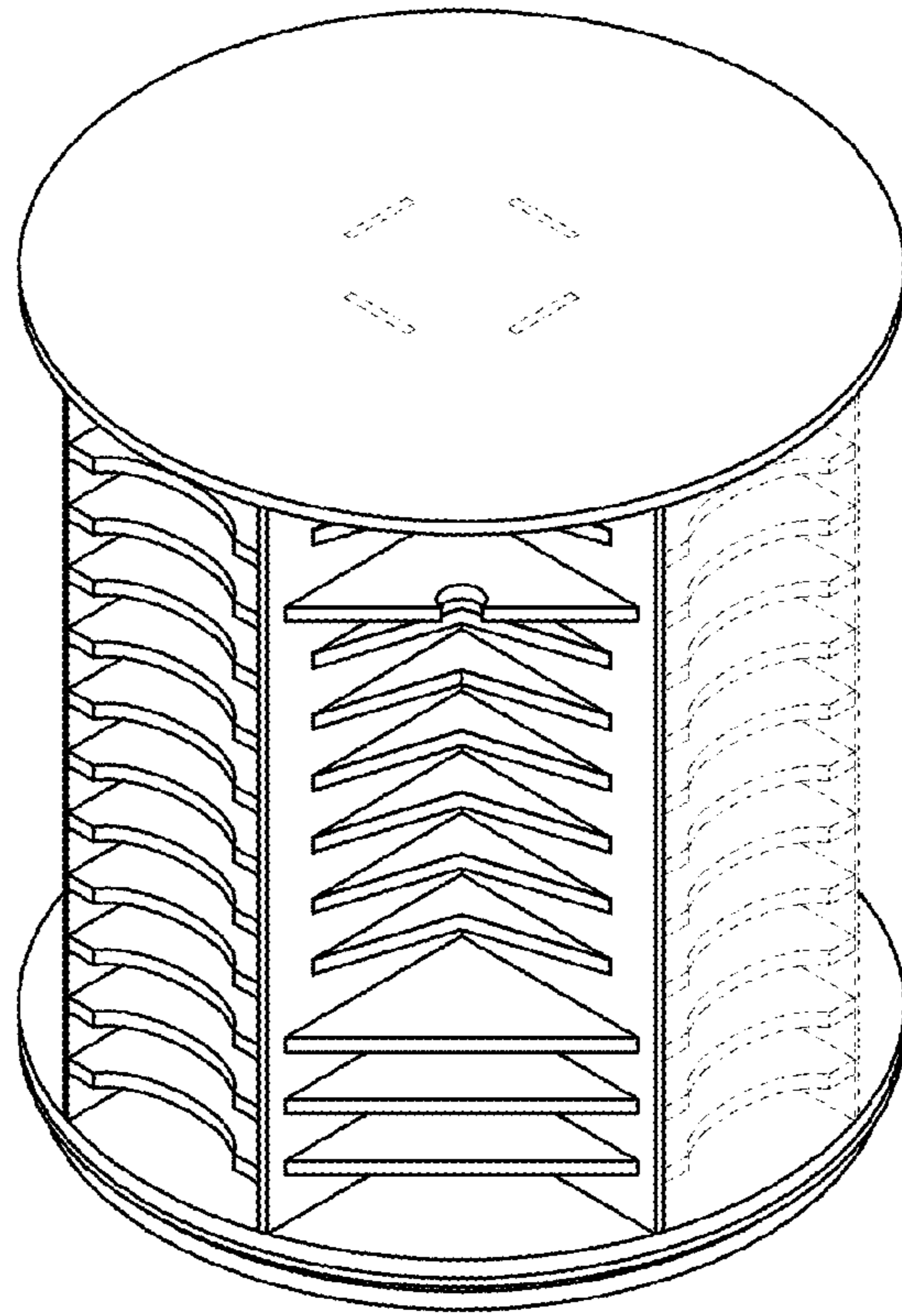


FIG. 25

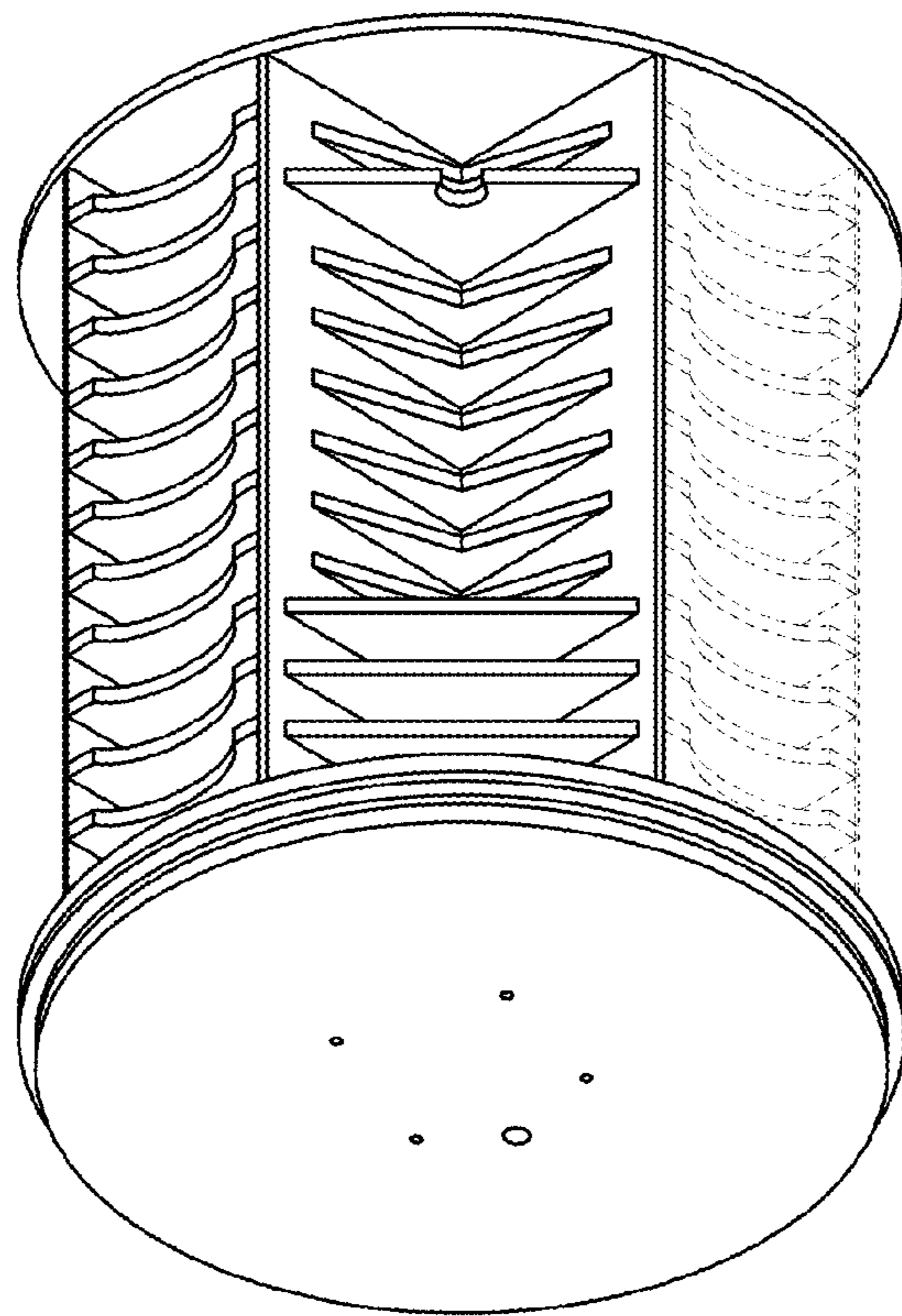


FIG. 26

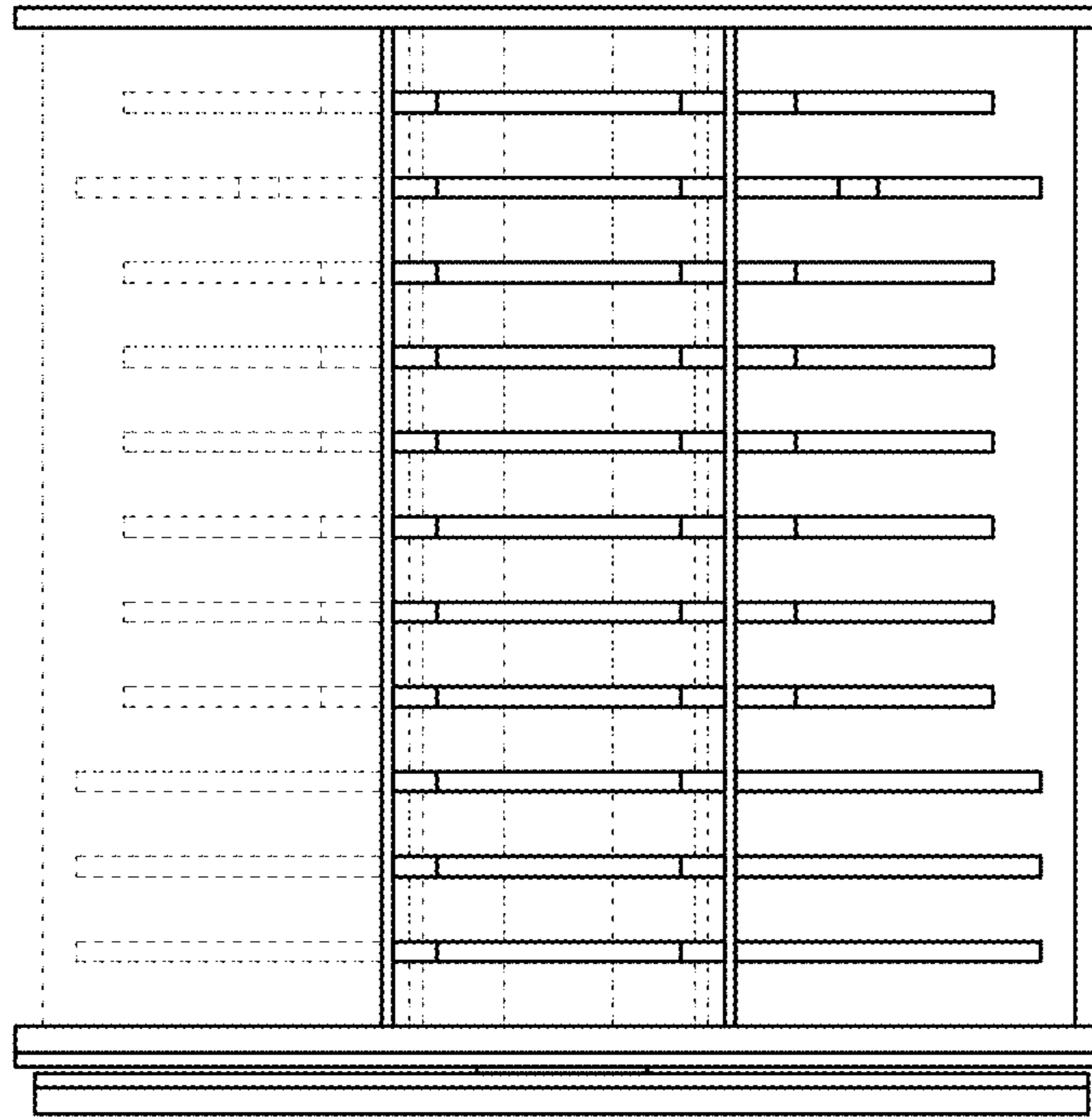


FIG. 27

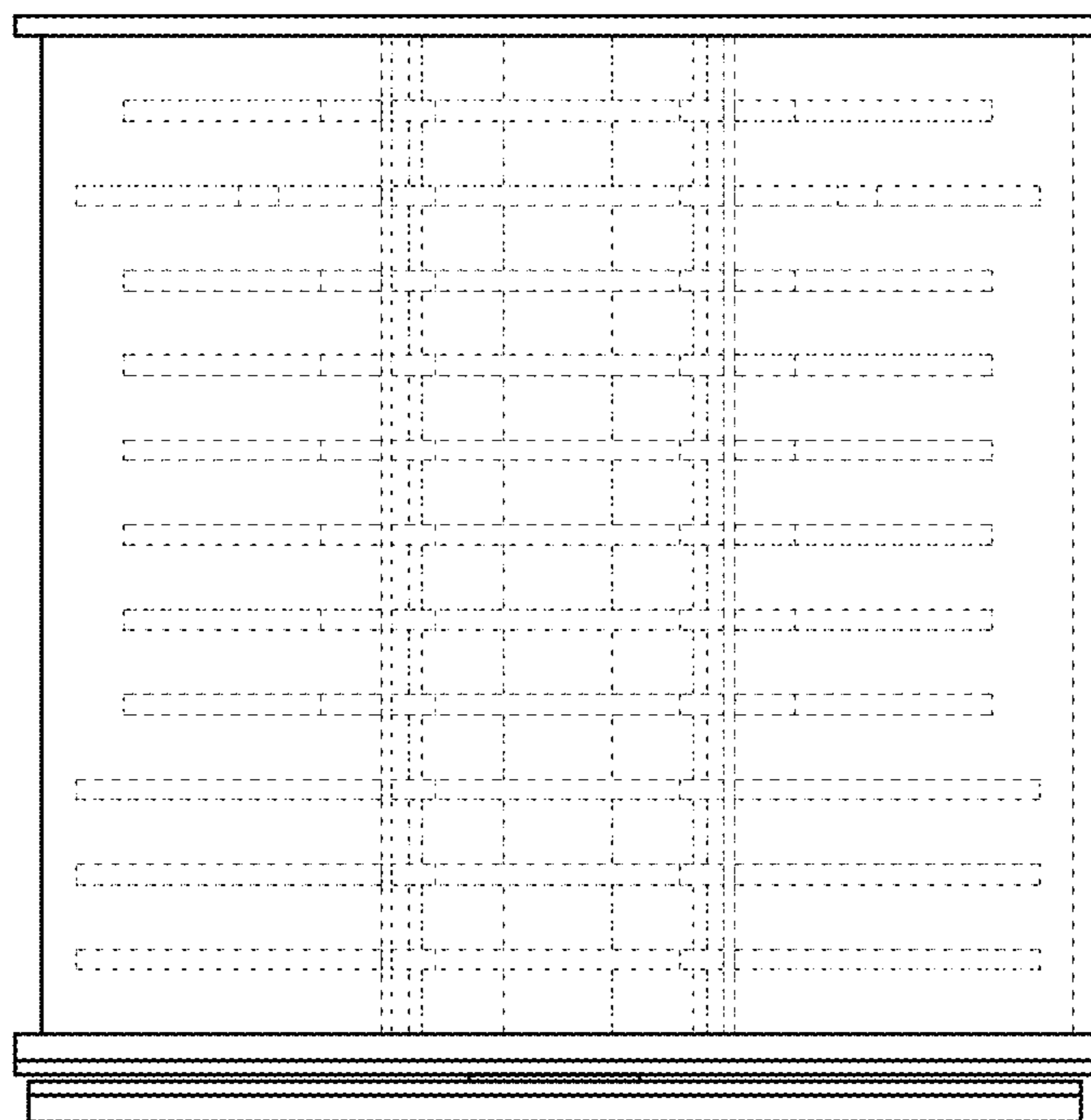


FIG. 28

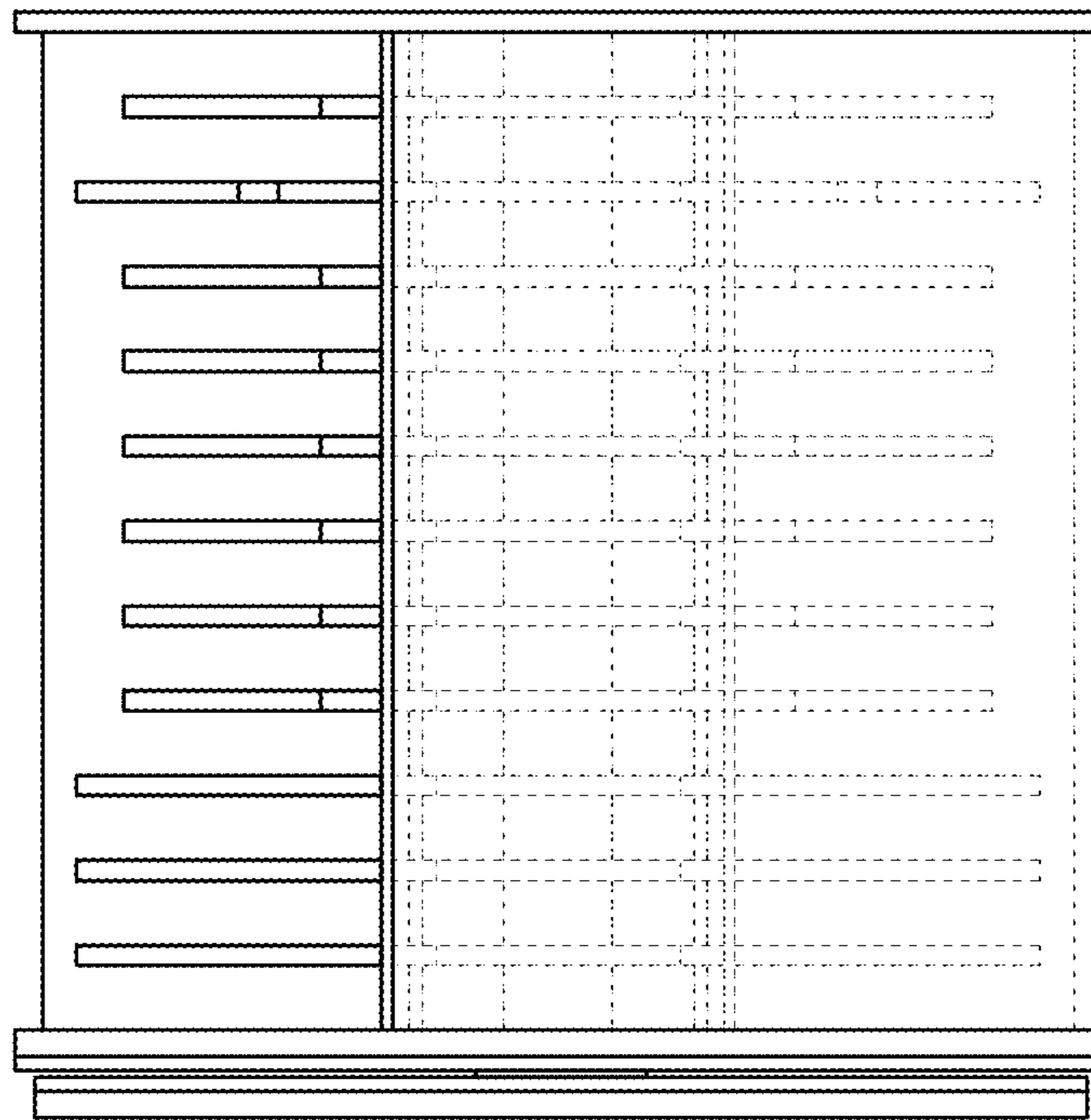


FIG. 29

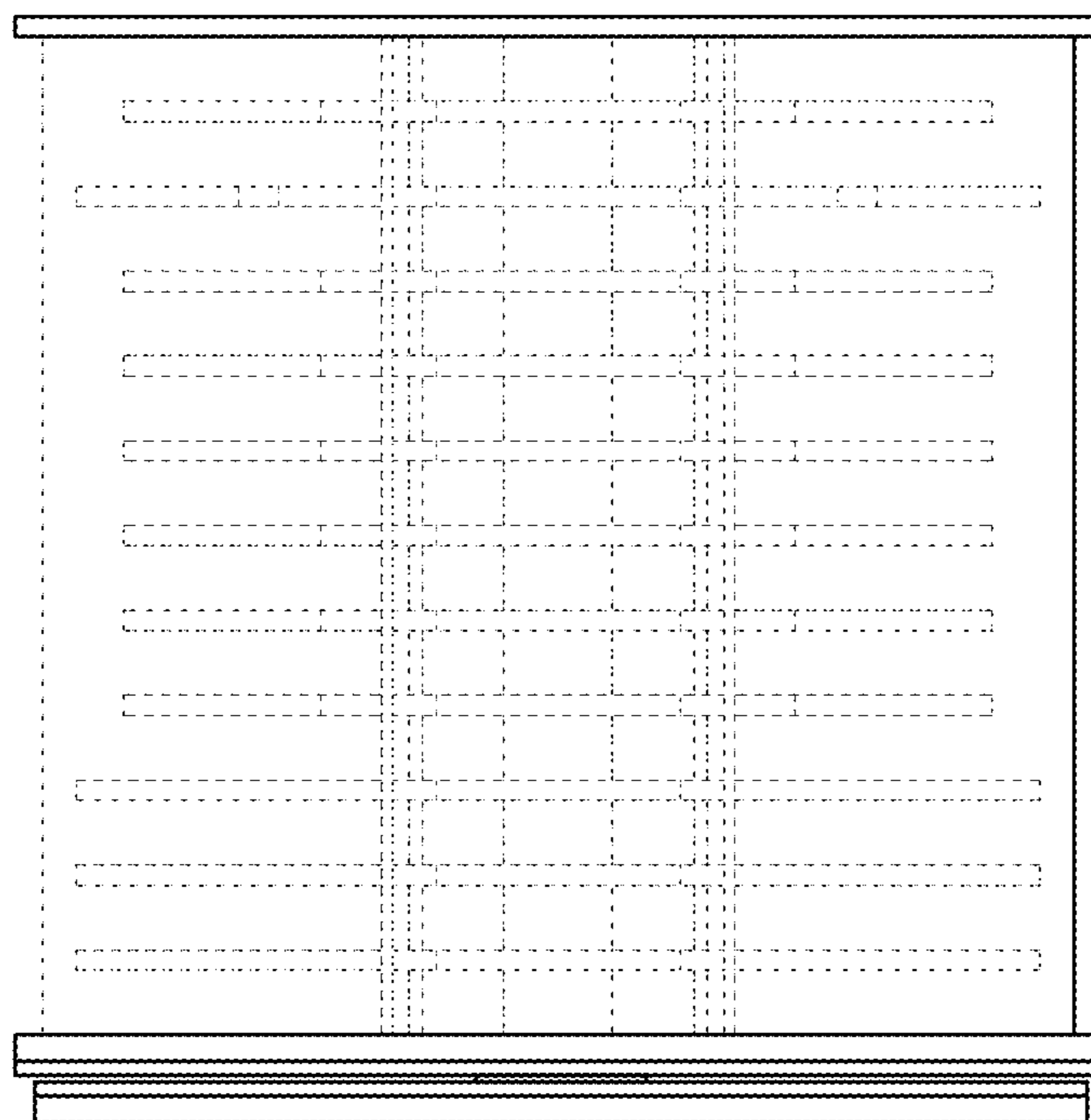


FIG. 30

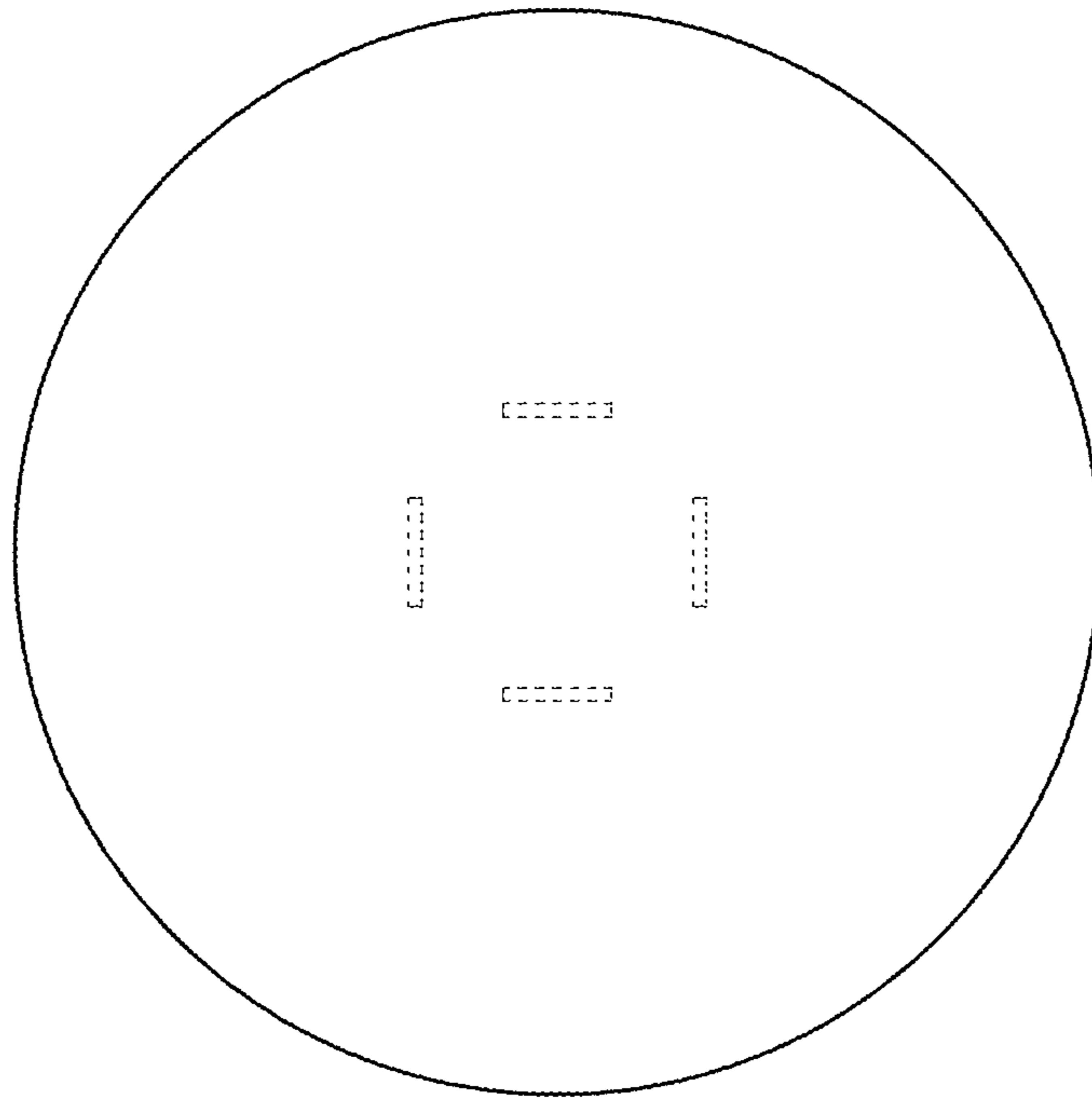


FIG. 31

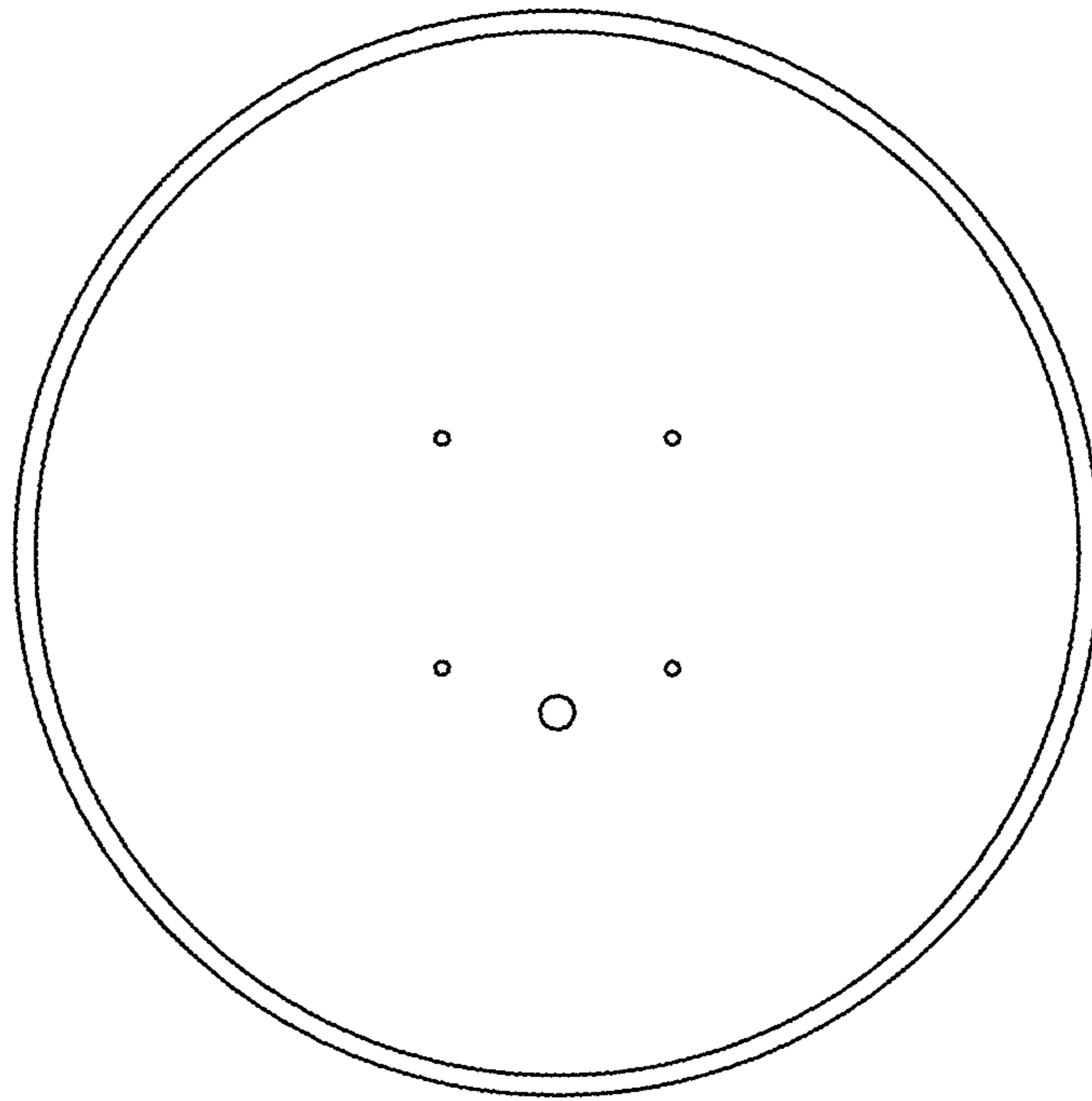


FIG. 32