

US00D943317S

(12) **United States Design Patent** (10) **Patent No.:** **US D943,317 S**
Lin (45) **Date of Patent:** **** Feb. 15, 2022**

(54) **ADJUSTABLE DESK STAND**

(71) Applicants: **HI-MAX INNOVATION CO., LTD.**,
Taichung (TW); **Yi Chen Tseng**,
Taichung (TW)

(72) Inventor: **Jhjh Fan Lin**, Taichung (TW)

(73) Assignees: **Hi-Max Innovation Co., Ltd.**,
Taichung (TW); **Yi Chen Tseng**,
Taichung (TW)

(**) Term: **15 Years**

(21) Appl. No.: **29/713,100**

(22) Filed: **Nov. 13, 2019**

(51) **LOC (13) Cl.** **06-03**

(52) **U.S. Cl.**
USPC **D6/656.17**

(58) **Field of Classification Search**
USPC D6/641, 642, 656, 656.16, 656.17, 685,
D6/686, 691, 691.5, 708
CPC A47B 21/00; A47B 21/0314; A47B 21/02;
A47B 9/00; A47B 9/20; A47B 13/00;
A47B 2200/0059
See application file for complete search history.

(56) **References Cited**

U.S. PATENT DOCUMENTS

D807,083	S	*	1/2018	Yamamoto	D6/656.16
D846,917	S	*	4/2019	Hu	D6/656.17
10,258,147	B2	*	4/2019	Tseng	A47B 9/10
D877,544	S	*	3/2020	Hu	D6/656.16
D879,514	S	*	3/2020	Goldberg	D6/656.16
D879,515	S	*	3/2020	Goldberg	D6/656.16
D880,200	S	*	4/2020	Sokol	D6/656.17
D881,611	S	*	4/2020	Nightingale	D6/656.17
D901,946	S	*	11/2020	Egger	D6/656.17
D917,935	S	*	5/2021	Huang	D6/656.17
D922,104	S	*	6/2021	Liu	D6/656.17
D924,602	S	*	7/2021	Wang	D6/656.17
D931,661	S	*	9/2021	Hu	D6/656.17

11,166,546	B2	*	11/2021	Lin	A47B 21/02
2019/0246789	A1	*	8/2019	Chen	A47B 9/20
2019/0343272	A1	*	11/2019	Smith	F16M 11/24

OTHER PUBLICATIONS

“SHW Memory Preset Electric Height Adjustable Standing Desk.”
Found online Dec. 4, 2021 at www.amazon.com. Product first
available Jan. 4, 2019. Retrieved from URL: <https://www.amazon.com/SHW-Electric-Height-Adjustable-Computer/dp/B07MBR8N89> (Year: 2019).*

(Continued)

Primary Examiner — Mary Ann Calabrese

Assistant Examiner — Katelin G Kloberg

(74) *Attorney, Agent, or Firm* — Wang Law Firm, Inc.

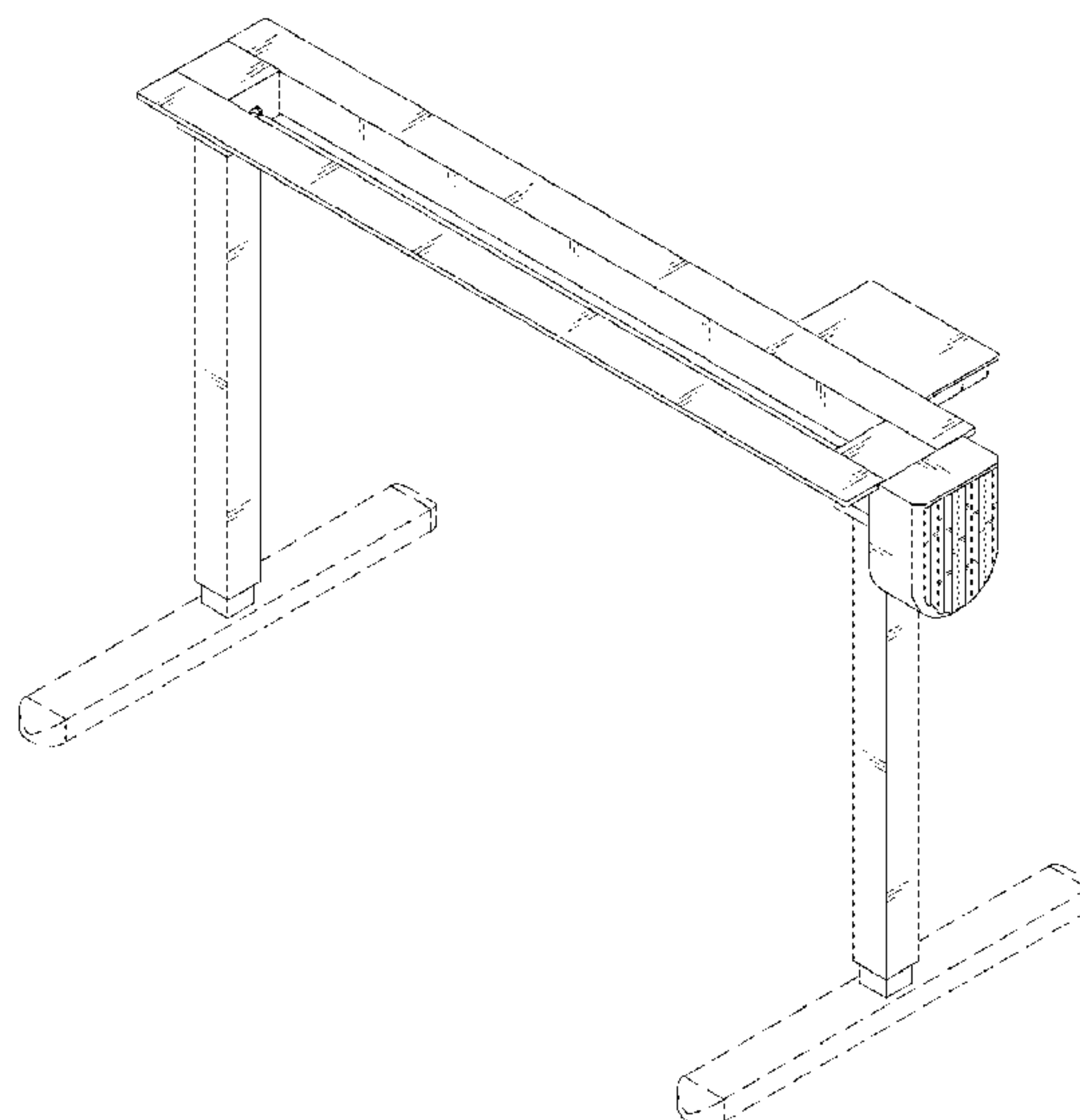
(57) **CLAIM**

I claim the ornamental design for an adjustable desk stand,
as shown and described.

DESCRIPTION

FIG. 1 is a perspective view of an adjustable desk stand,
showing my new design;
FIG. 2 is a front view thereof;
FIG. 3 is a rear view thereof;
FIG. 4 is a left view thereof;
FIG. 5 is a right view thereof;
FIG. 6 is a top view thereof;
FIG. 7 is a bottom view thereof; and,
FIG. 8 is a perspective view of an adjustable desk stand
shown in an environment of use.
In FIG. 8, the broken lines depicting a table top are repre-
senting environmental subject matter that forms no part of
the claimed design. All other broken lines are depicting
portions of the article that form no part of the claimed
design.

1 Claim, 8 Drawing Sheets



(56)

References Cited

OTHER PUBLICATIONS

“55-Inch Electric Height Adjustable Standing Desk.” Found online Dec. 4, 2021 at www.amazon.com. Product first available Sep. 9, 2020. Retrieved from URL: <https://www.amazon.com/55-Inch-Electric-Height-Adjustable-Stand/dp/B08HR9BD6X> (Year: 2020).*

“Flexispot EC1 Electric Standing Desk.” Found online Dec. 4, 2021 at www.amazon.com. Product first available Nov. 17, 2020. Retrieved from URL: <https://www.amazon.com/Flexispot-Electric-Standing-Adjustable-Workstation/dp/B08YR8MWN6?th=1> (Year: 2020).*

* cited by examiner

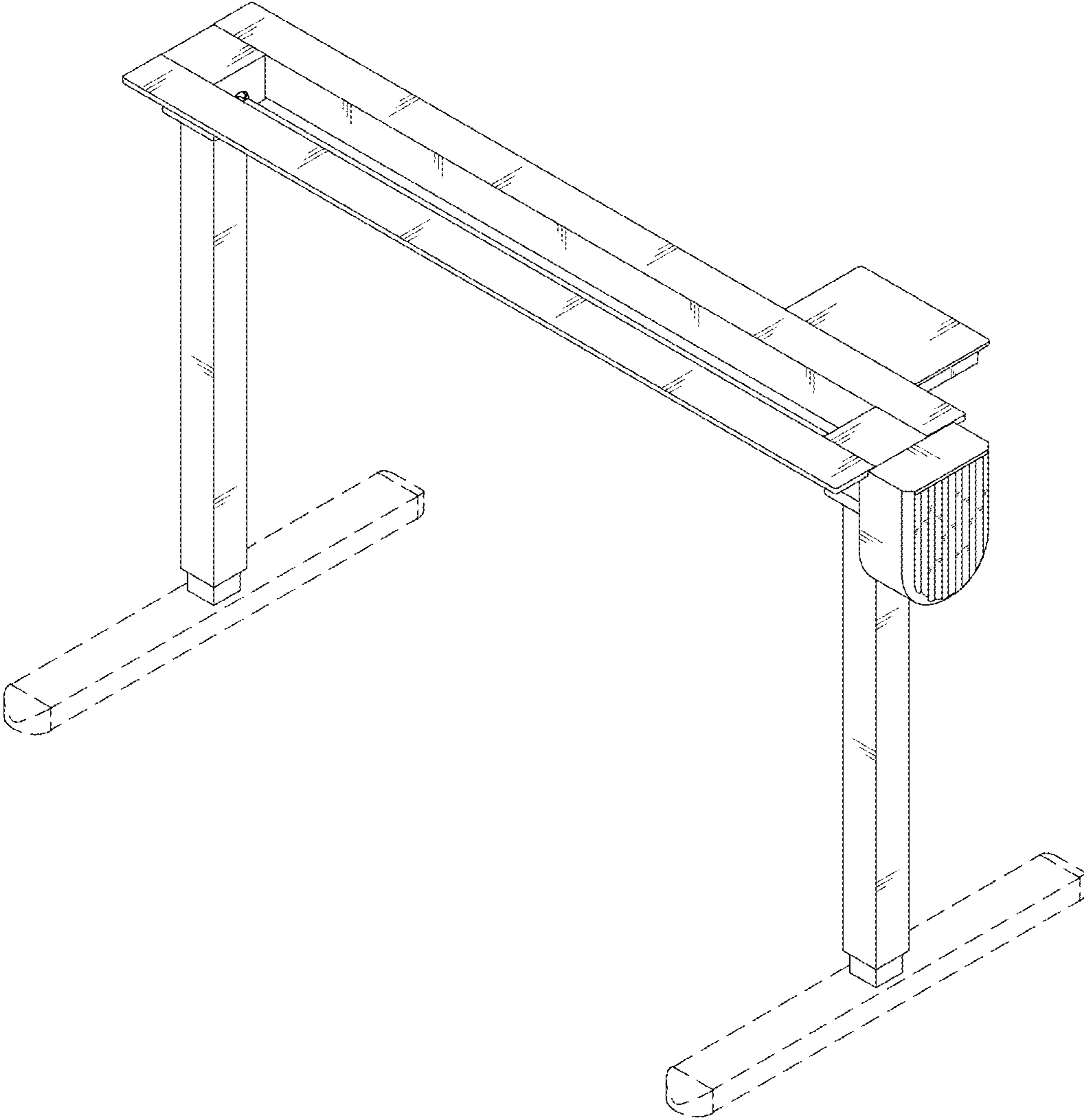


FIG. 1

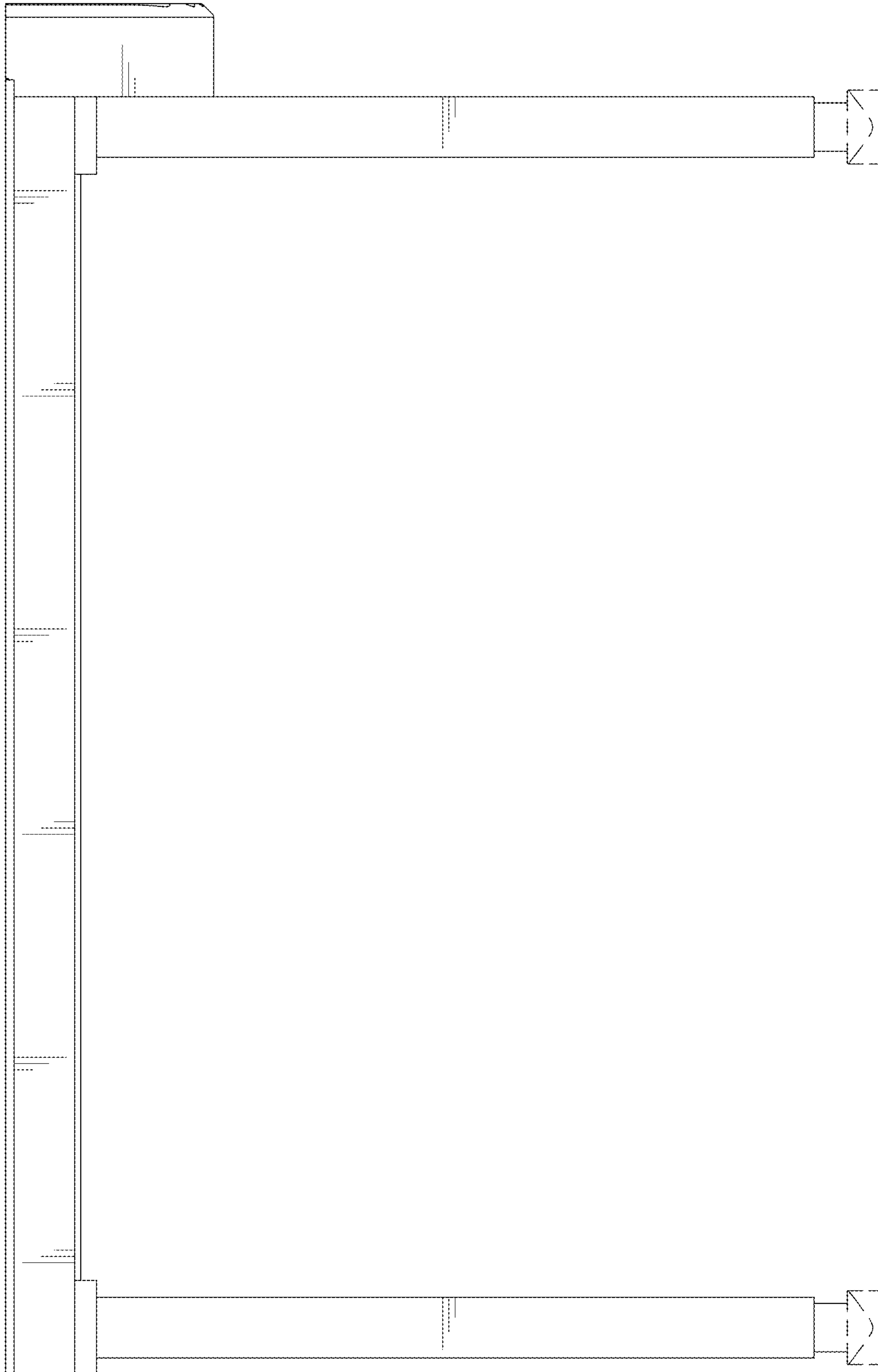


FIG. 2

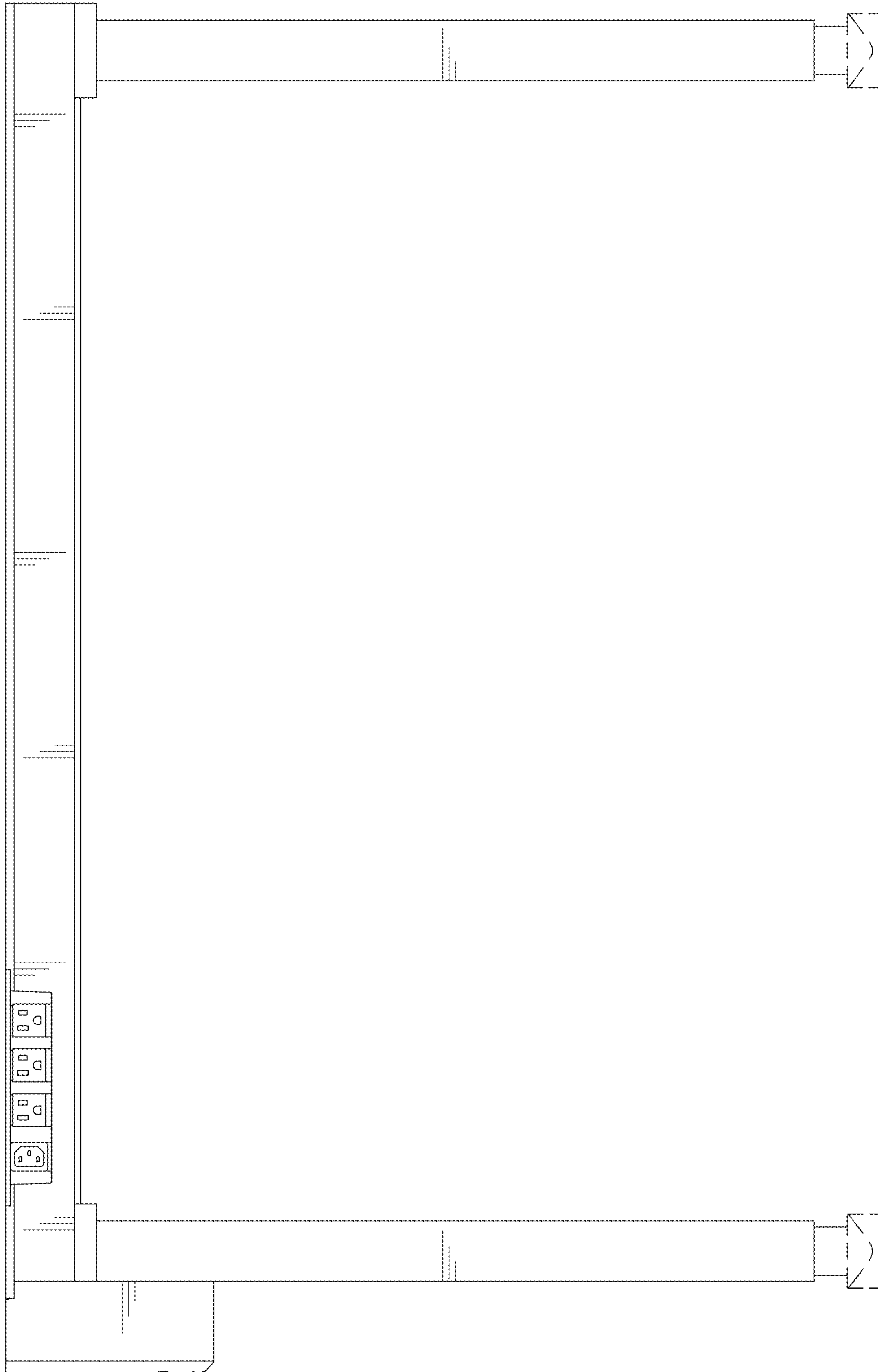


FIG. 3

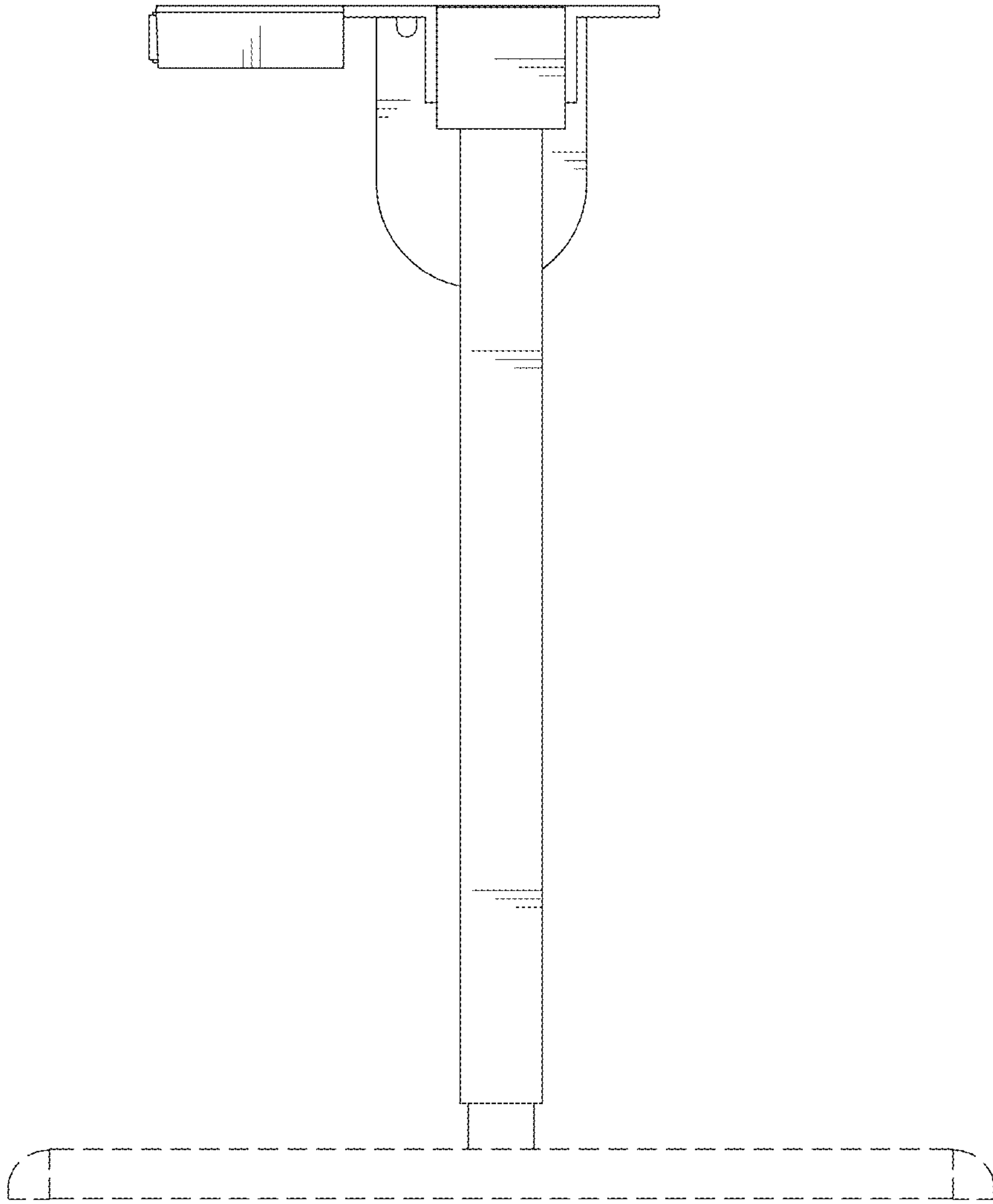


FIG. 4

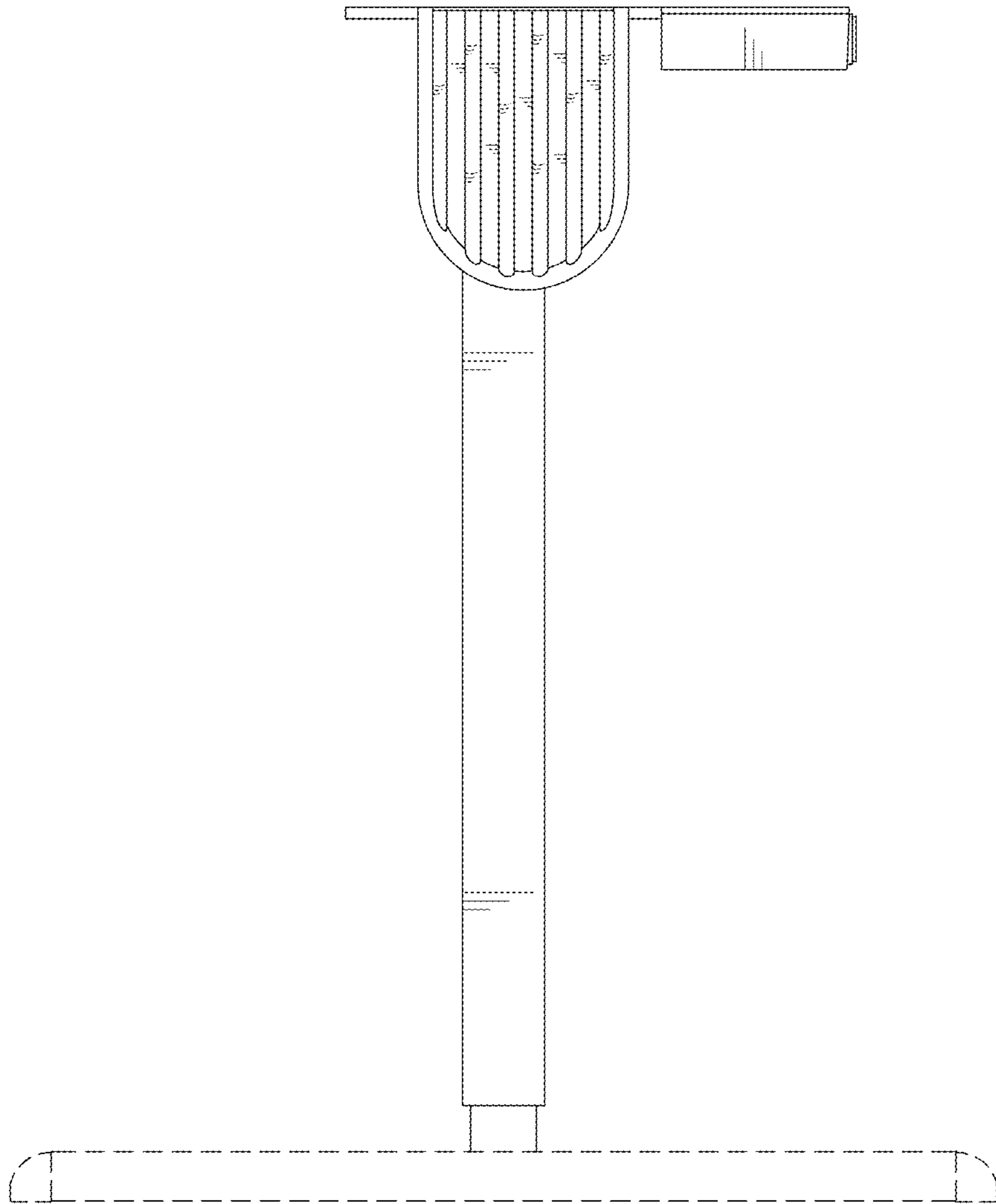


FIG. 5

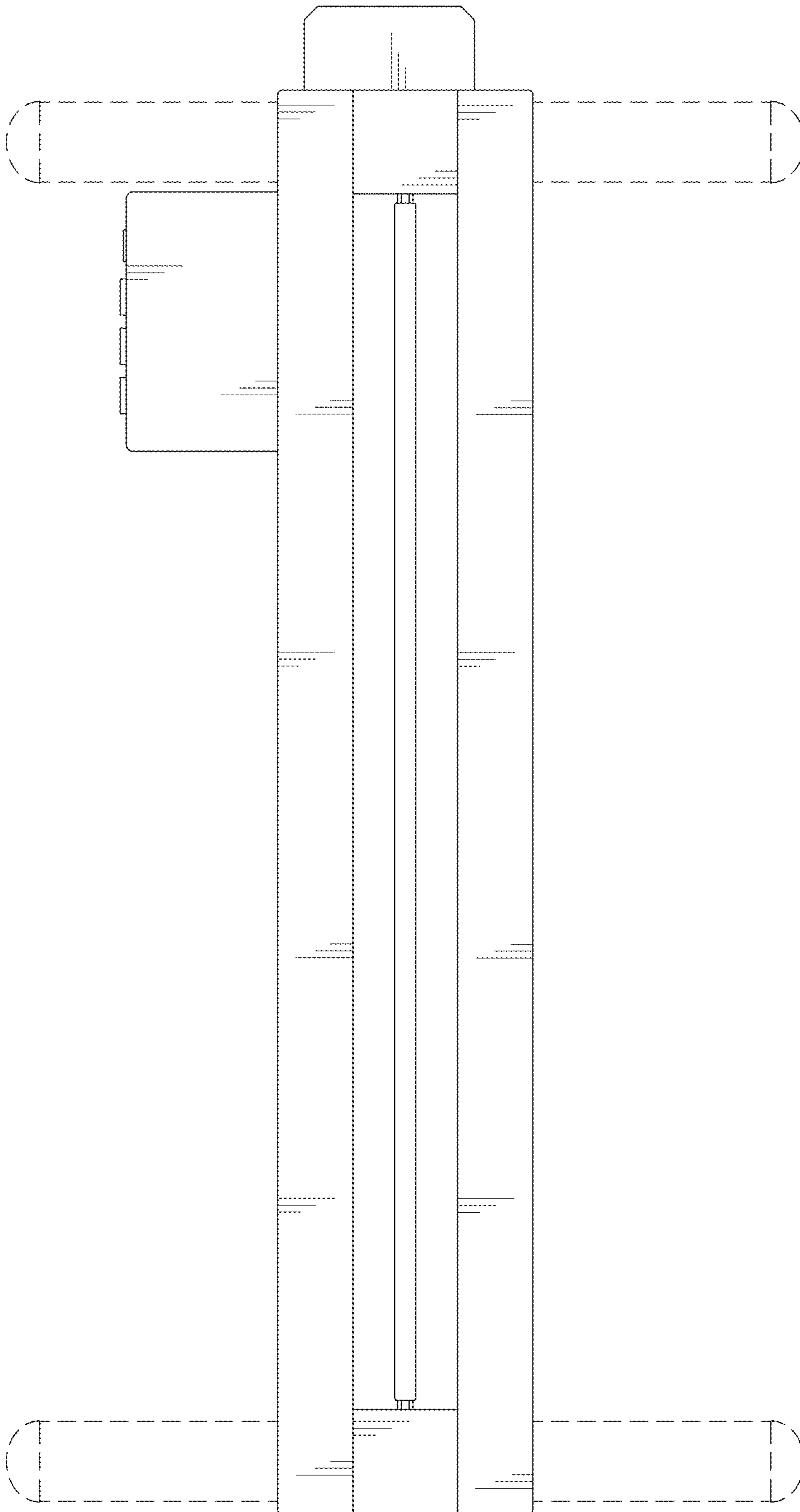


FIG. 6

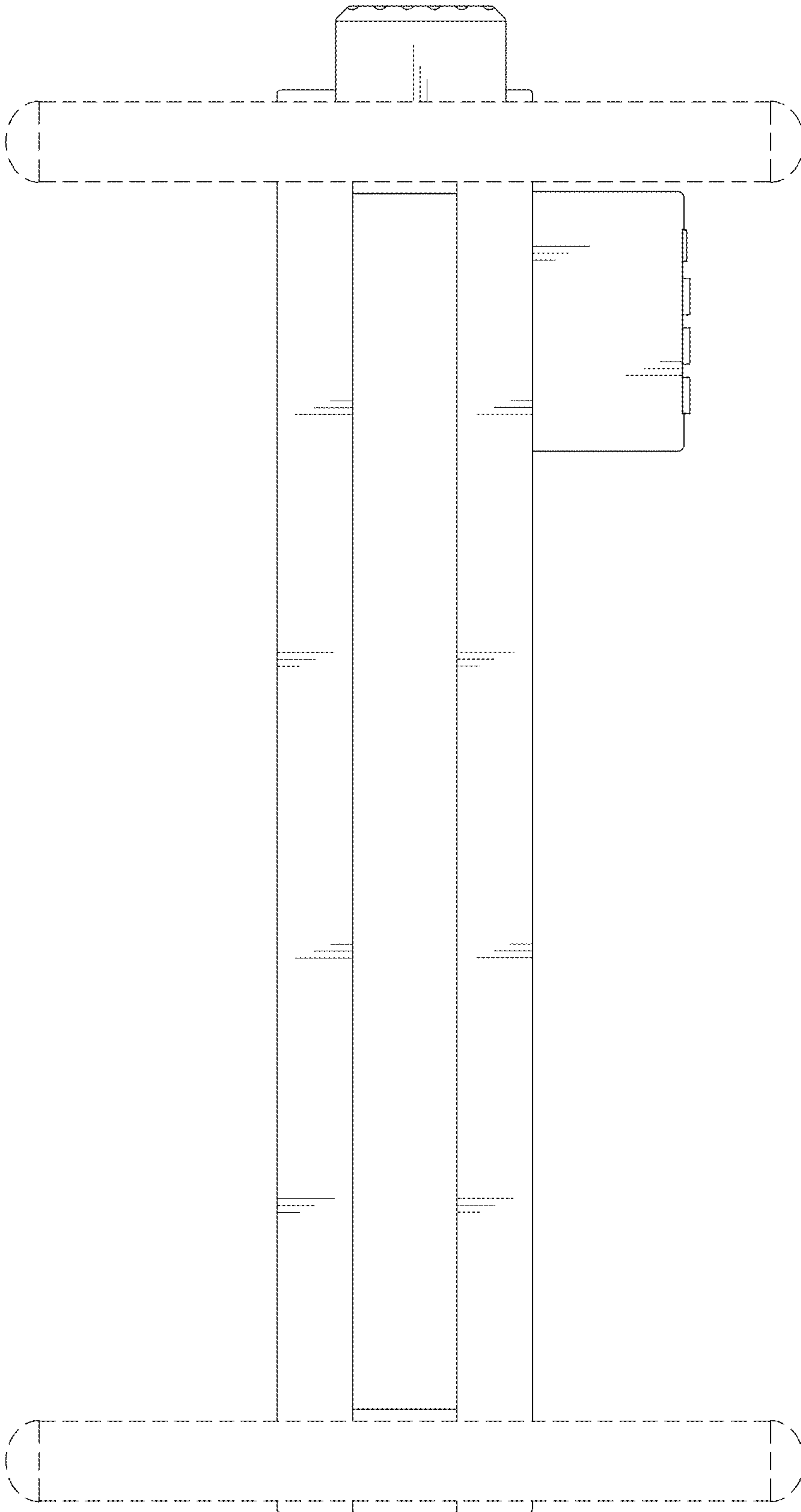


FIG. 7

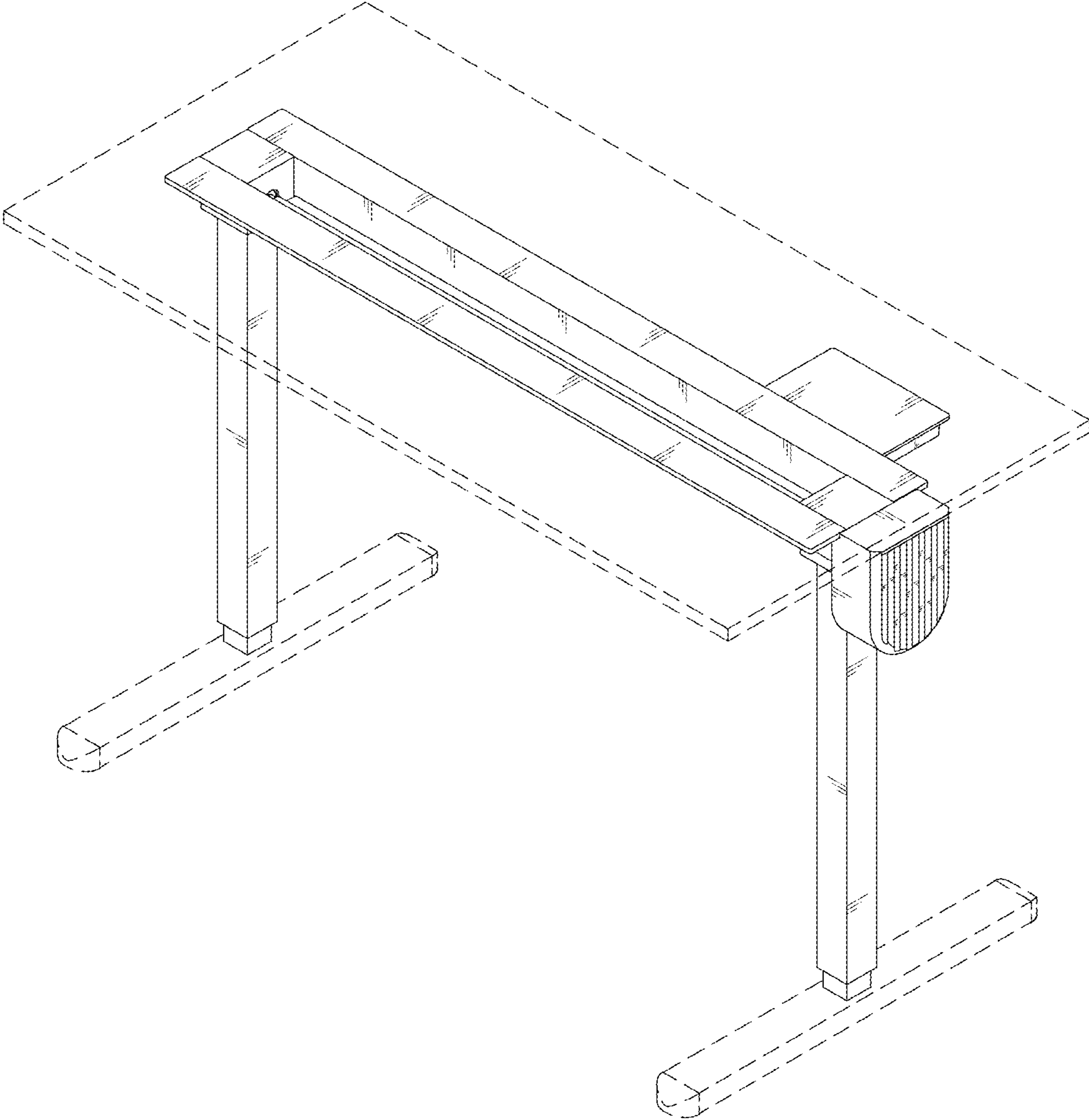


FIG. 8