

US00D943316S

(12) **United States Design Patent**  
**Hu**

(10) **Patent No.:** **US D943,316 S**  
(45) **Date of Patent:** **\*\* Feb. 15, 2022**

- (54) **GAMING DESK WITH GLASS TOP**
- (71) Applicant: **Yajun Hu**, El Dorado Hills, CA (US)
- (72) Inventor: **Yajun Hu**, El Dorado Hills, CA (US)
- (73) Assignees: **Yajun Hu**, El Dorado Hills, CA (US);  
**EUREKA LLC.**, El Dorado Hills, CA (US)
- (\*\*) Term: **15 Years**
- (21) Appl. No.: **29/732,374**
- (22) Filed: **Apr. 23, 2020**
- (51) **LOC (13) Cl.** ..... **06-03**
- (52) **U.S. Cl.**  
USPC ..... **D6/656.16**
- (58) **Field of Classification Search**  
USPC ..... D6/641, 642, 648, 648.1, 650, 650.1,  
D6/655, 656, 656.1, 656.11, 656.12,  
D6/656.13, 656.14, 656.15, 656.16,  
D6/656.17, 656.18, 656.19, 675, 686,  
D6/688.14, 688.15, 691, 691.5, 691.1,  
D6/691.6, 691.7, 694.2, 697, 705, 705.4,  
D6/705.5, 705.7, 706, 707, 707.18,  
D6/707.19, 707.22  
CPC .... A47B 1/00; A47B 7/00; A47B 9/10; A47B  
9/16; A47B 2009/006; A47B 11/00; A47B  
13/00; A47B 13/081; A47B 21/0073;  
A47B 21/02; A47B 21/03; A47B  
2200/0064; A47B 9/00; A47B 9/02; A47B  
9/04; A47B 9/12; A47B 2200/0035; A47B  
2200/005; A47B 2200/0056  
See application file for complete search history.

(56) **References Cited**  
U.S. PATENT DOCUMENTS

D478,225 S	8/2003	Wang
D499,273 S	12/2004	Chang
D499,576 S	12/2004	Long

D526,812 S	8/2006	Chen	
D547,970 S	8/2007	Chou	
D549,009 S	8/2007	Lin	
7,559,516 B2 *	7/2009	Koder	A47B 9/20 248/188.5
9,271,567 B2 *	3/2016	Wu	A47B 1/08
9,591,919 B2	3/2017	Ergun et al.	
9,635,932 B2	5/2017	Kelley et al.	
10,349,736 B2 *	7/2019	Tseng	A47B 9/04
D862,129 S *	10/2019	Hu	D6/656.17
D865,405 S *	11/2019	Hu	D6/656.16
D875,442 S *	2/2020	Duan	D6/656.16
D877,544 S *	3/2020	Hu	D6/656.16
D879,515 S *	3/2020	Goldberg	D6/656.16
2008/0178779 A1 *	7/2008	Agee	A47B 9/04 108/147

(Continued)

**OTHER PUBLICATIONS**

Eureka, posted at Amazon.com, posted on Jun. 7, 2020, site visited Apr. 21, 2021. online, available from internet: <https://www.amazon.com/EUREKA-ERGONOMIC-Tempered-Computer-Polygon/dp/B088H14GGN> (Year: 2020).\*

*Primary Examiner* — Mary Ann Calabrese  
*Assistant Examiner* — Catherine Ho

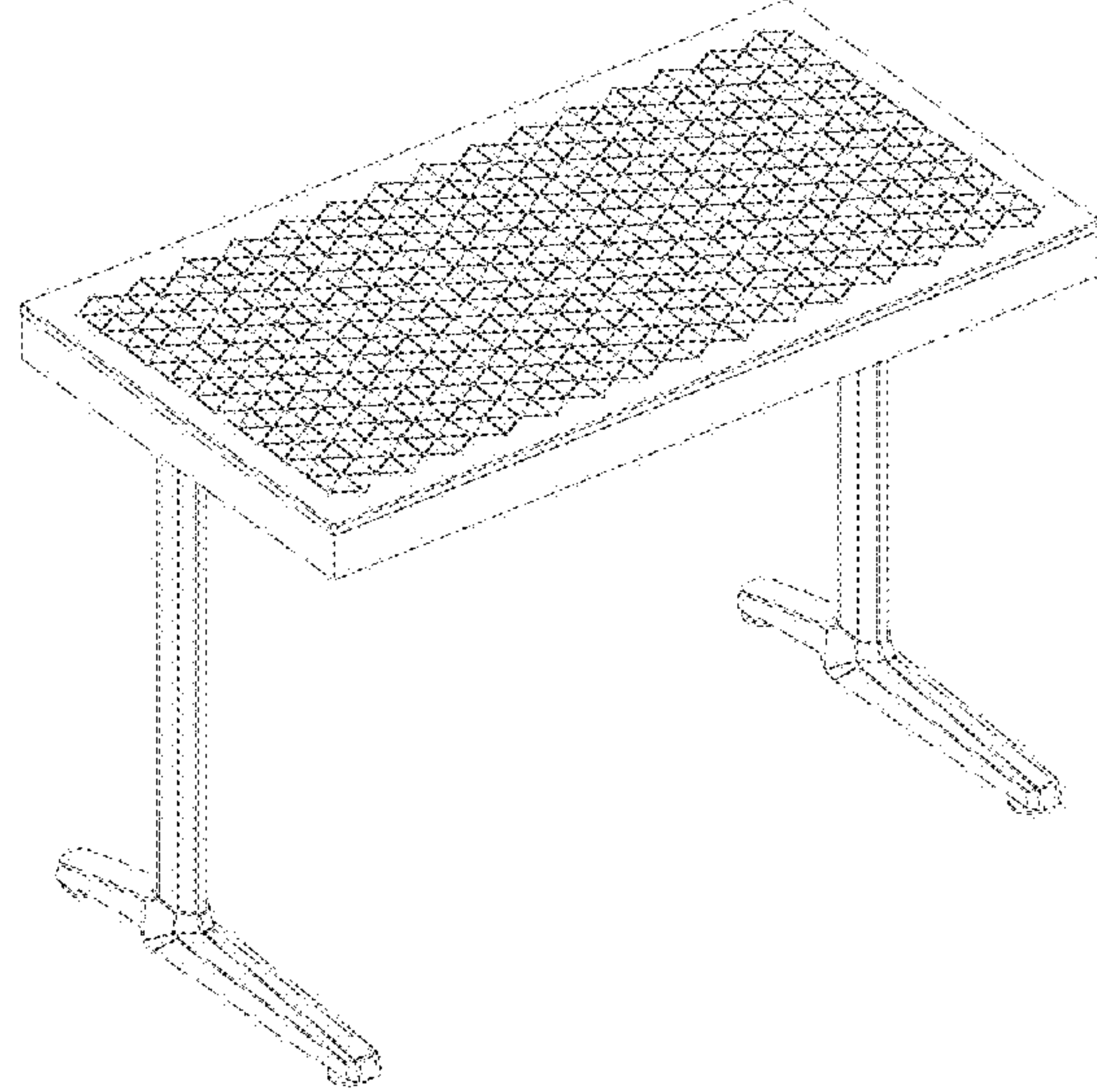
(57) **CLAIM**

The ornamental design for a gaming desk with glass top, as shown and described.

**DESCRIPTION**

FIG. 1 is a perspective view of a gaming desk with glass top, showing my new design;  
FIG. 2 is a front view thereof;  
FIG. 3 is a bottom view thereof;  
FIG. 4 is a top view thereof;  
FIG. 5 is a rear side view thereof;  
FIG. 6 is a left side view thereof; and,  
FIG. 7 is a right side view thereof.

**1 Claim, 7 Drawing Sheets**



(56)

**References Cited**

U.S. PATENT DOCUMENTS

2012/0248910 A1\* 10/2012 Randlov ..... A47B 9/04  
310/83  
2015/0282605 A1\* 10/2015 Wu ..... A47B 1/08  
248/188.2  
2016/0128463 A1\* 5/2016 Wu ..... A47B 1/10  
248/550  
2017/0303679 A1\* 10/2017 Tseng ..... A47B 9/04  
2019/0328130 A1\* 10/2019 Egger ..... A47B 21/02  
2020/0154876 A1\* 5/2020 Liu ..... A47B 1/08  
2021/0000250 A1\* 1/2021 Hoyer ..... A47B 9/00

\* cited by examiner

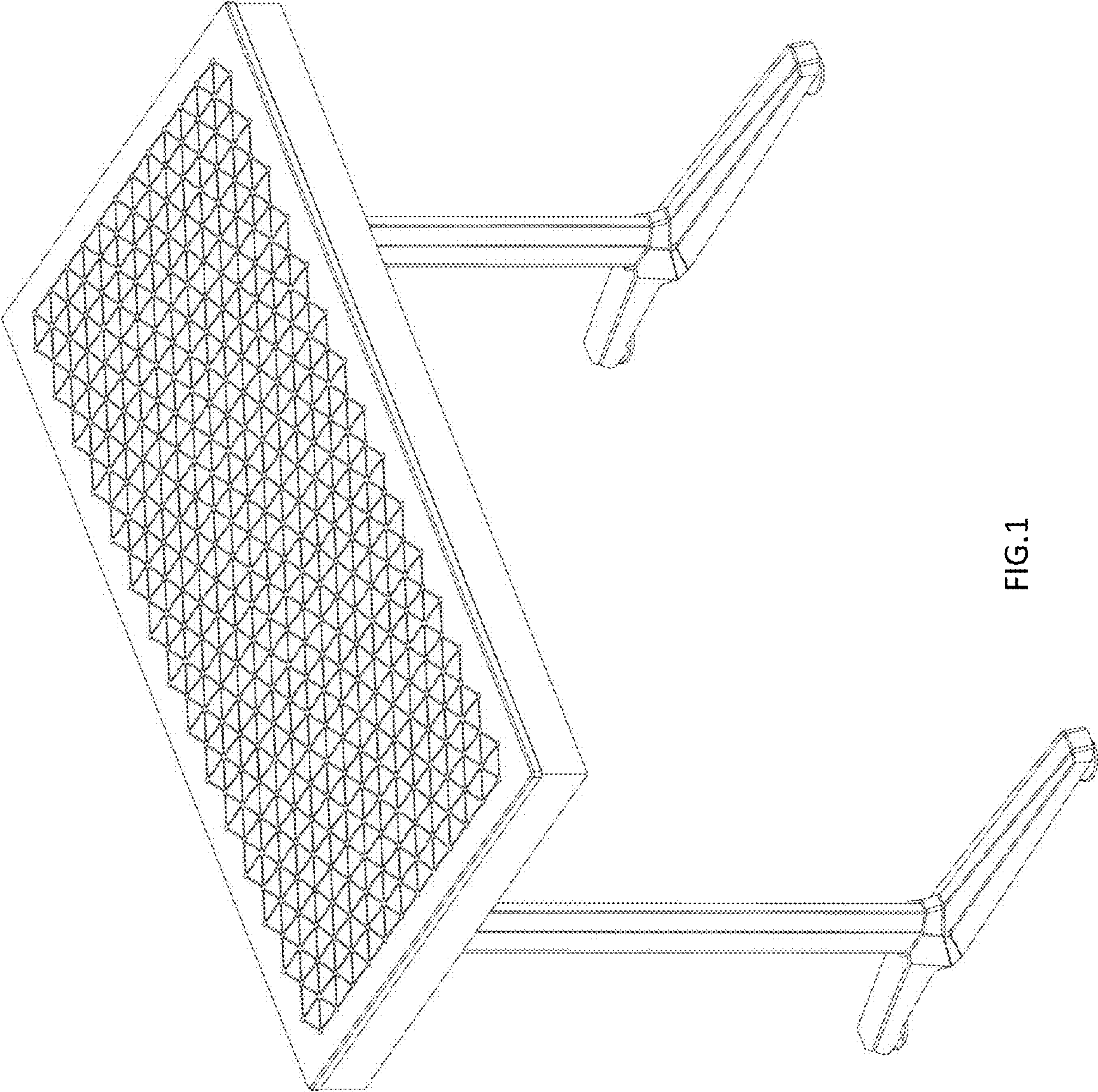


FIG.1



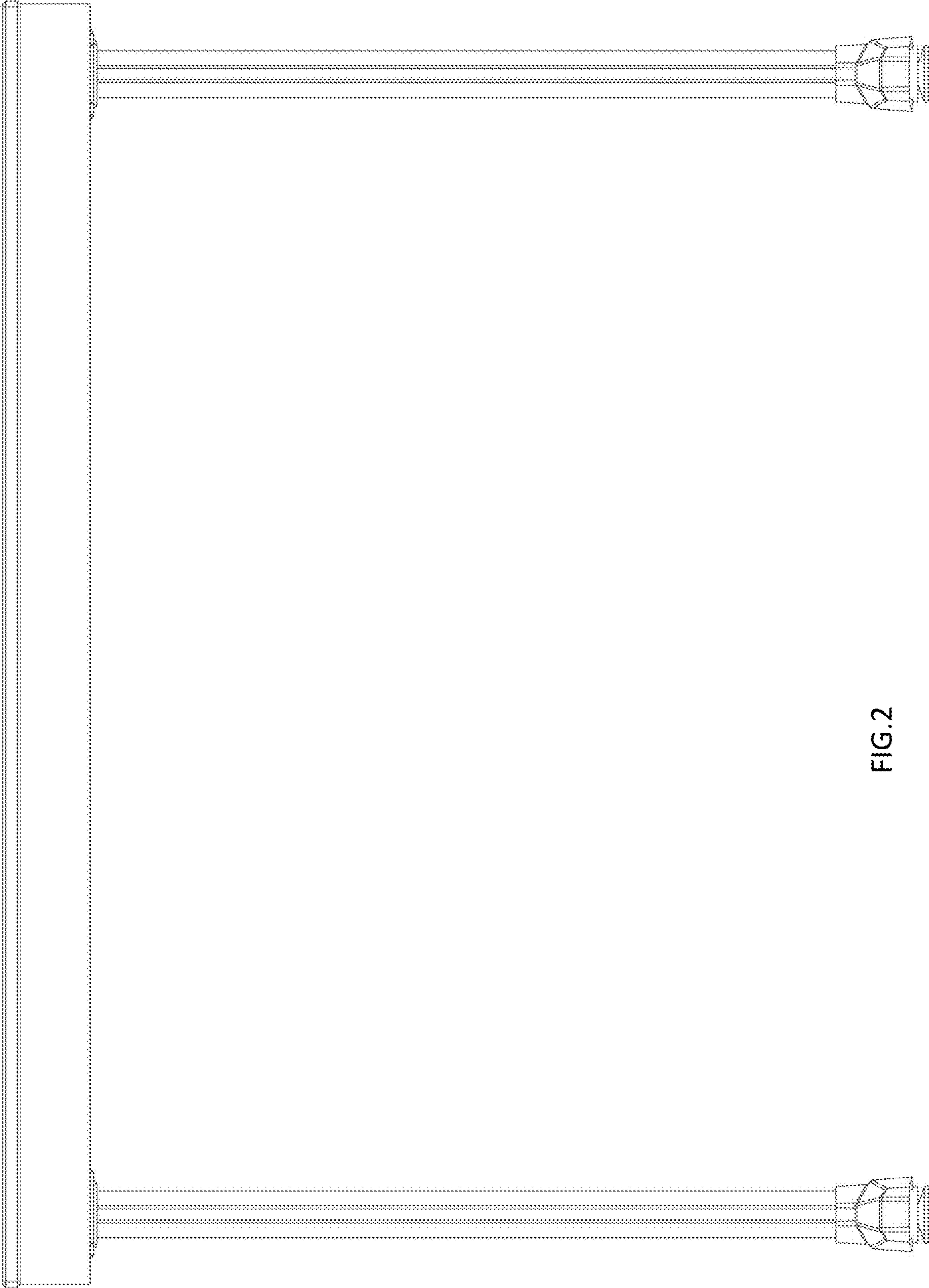


FIG.2

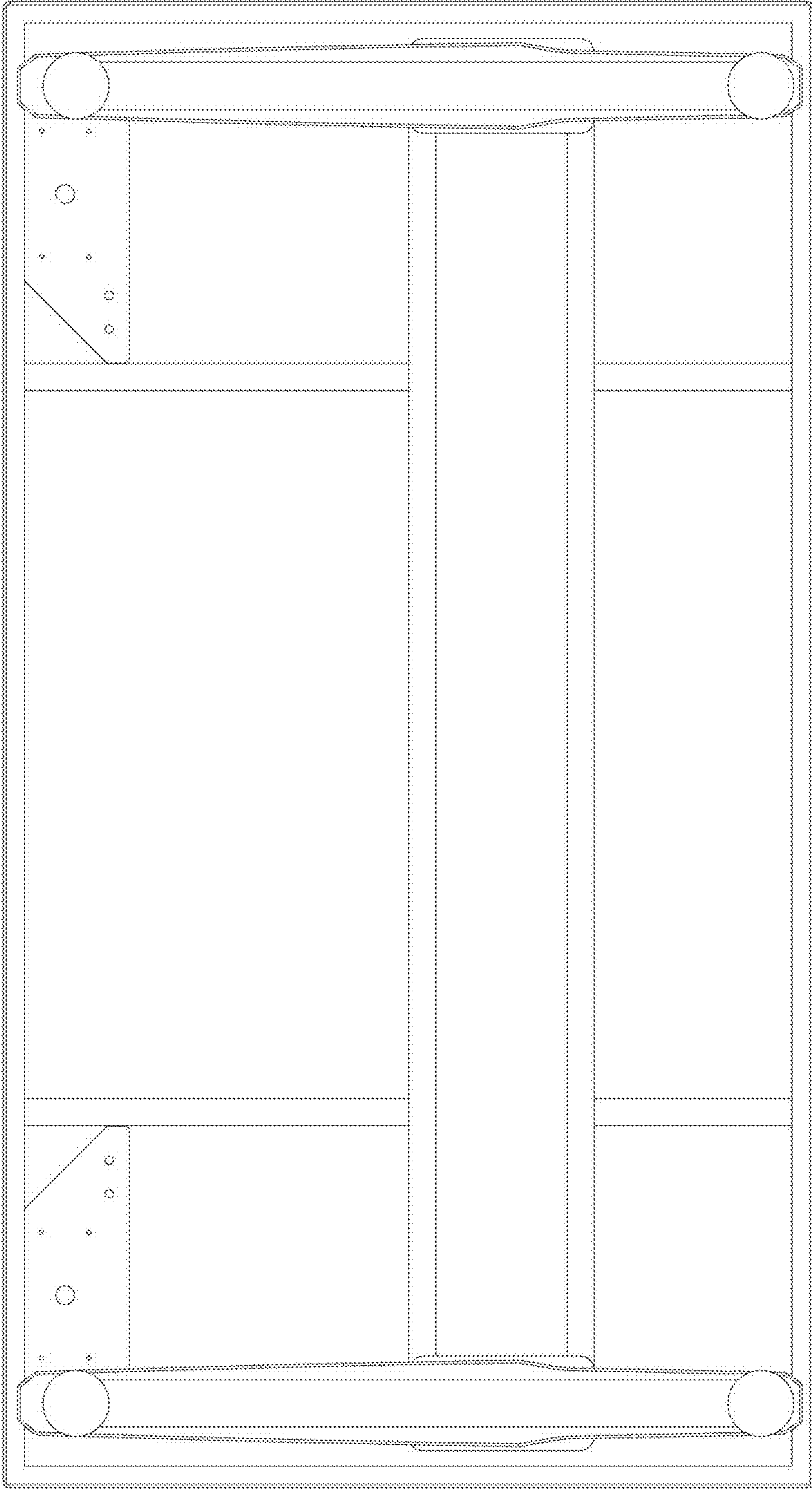


FIG.3



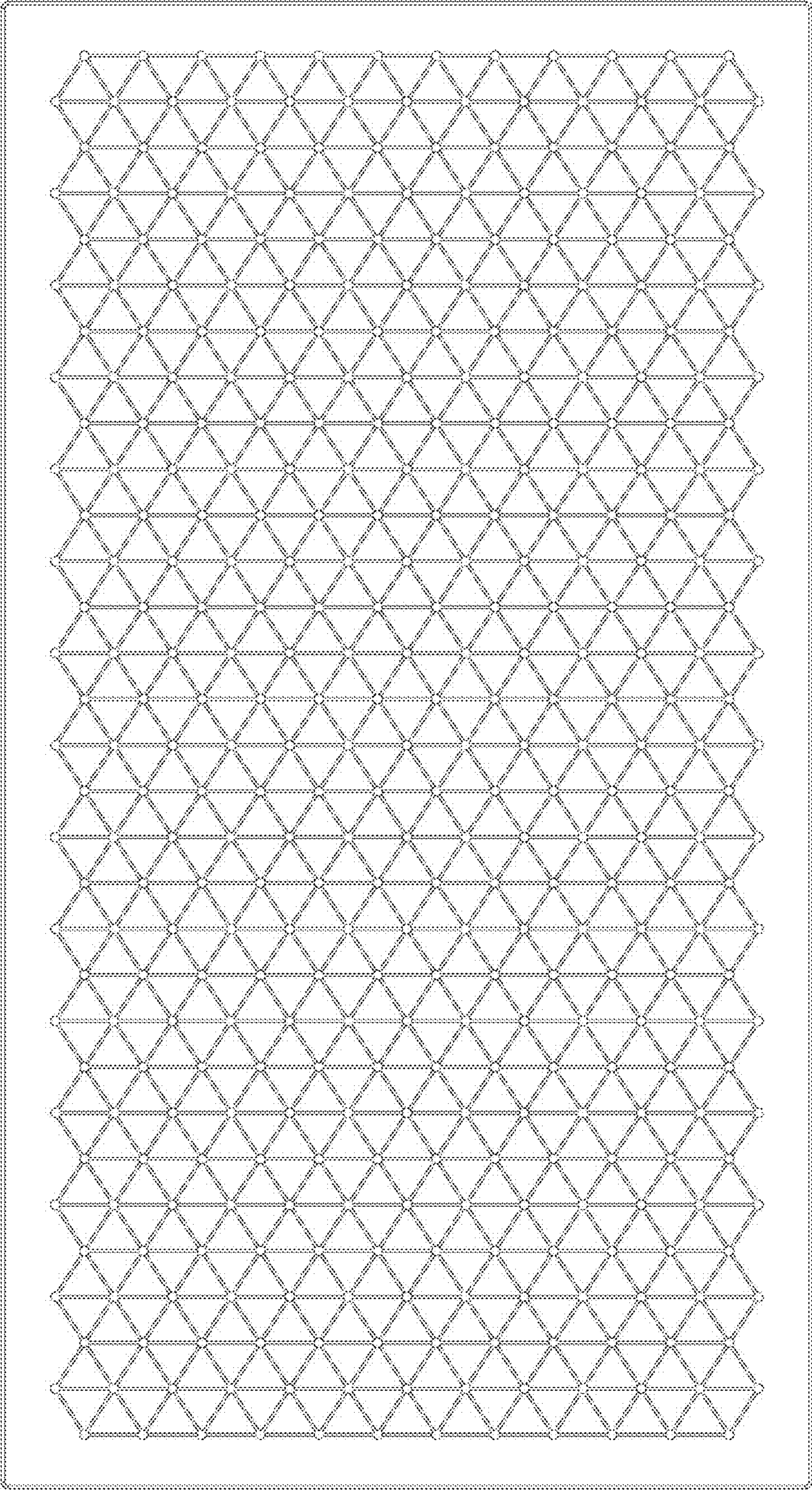


FIG.4

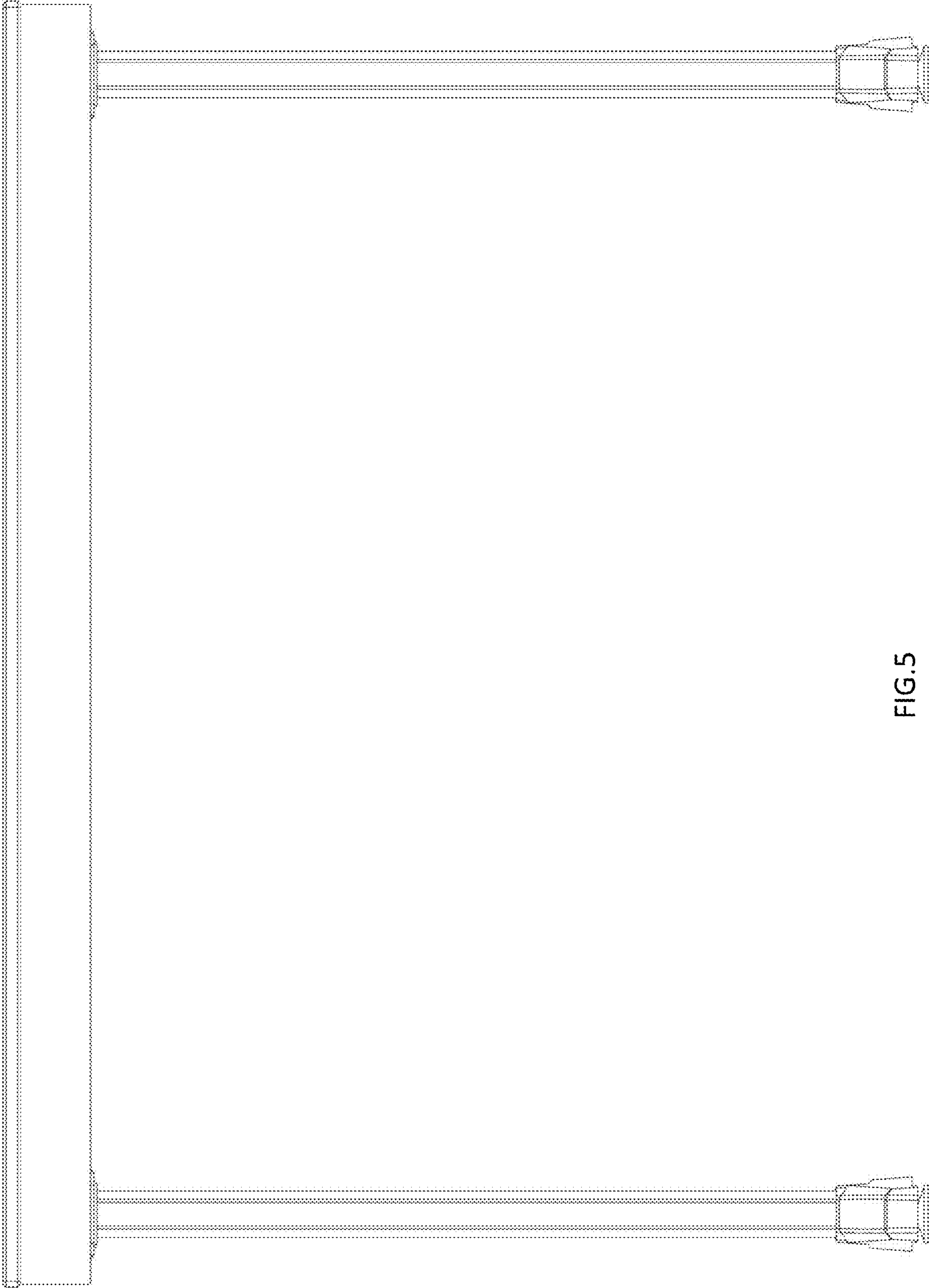


FIG.5



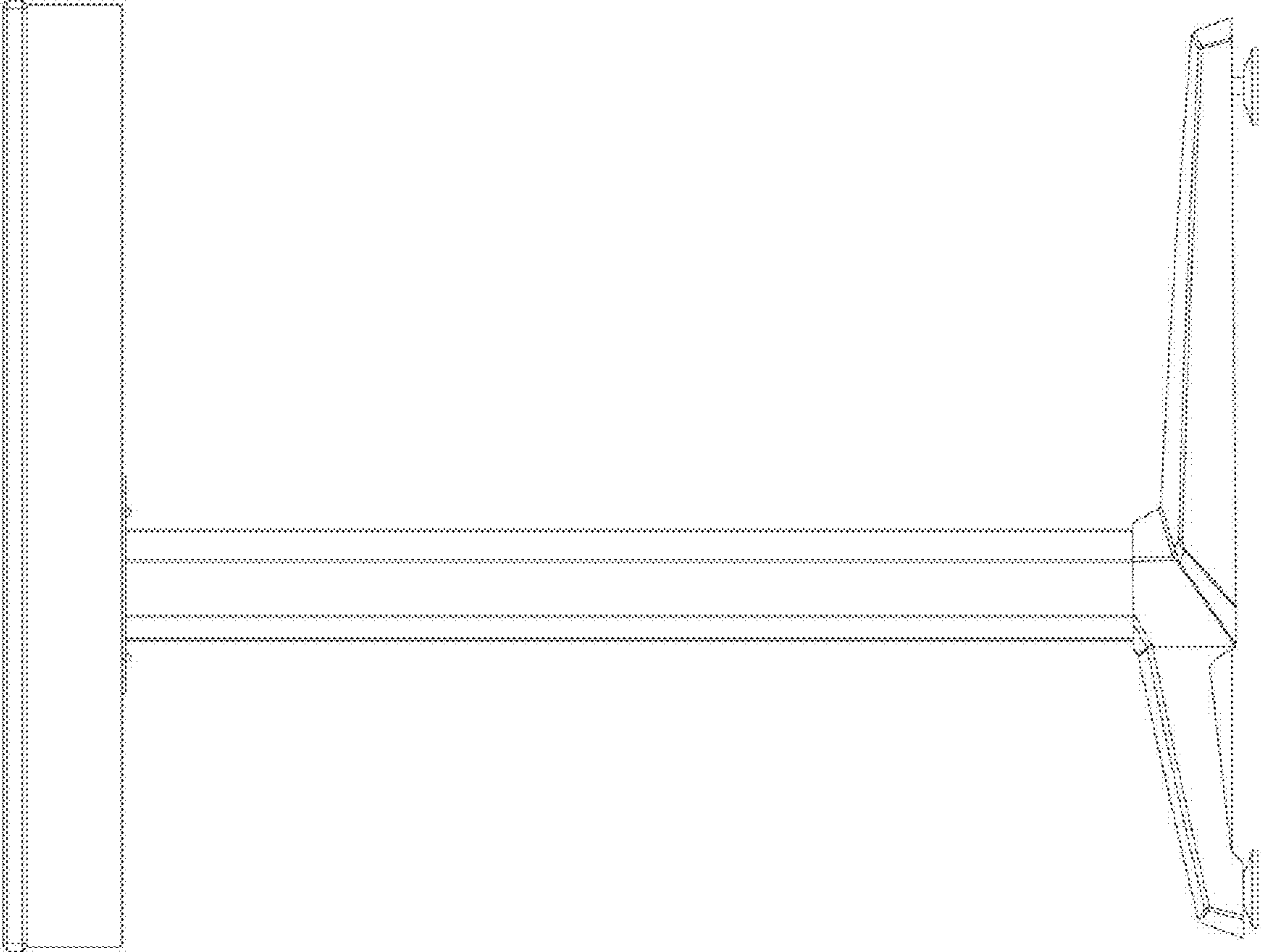


FIG. 6





FIG. 7