



US00D943314S

(12) **United States Design Patent** (10) **Patent No.:** **US D943,314 S**  
**Guzman** (45) **Date of Patent:** **\*\* Feb. 15, 2022**

- (54) **HEIGHT ADJUSTABLE DESK**
- (71) Applicant: **Guadalupe Guzman**, El Paso, TX (US)
- (72) Inventor: **Guadalupe Guzman**, El Paso, TX (US)
- (\*\*) Term: **15 Years**
- (21) Appl. No.: **29/695,896**
- (22) Filed: **Jun. 24, 2019**

**Related U.S. Application Data**

- (63) Continuation of application No. 15/891,103, filed on Feb. 7, 2018, now Pat. No. 10,357,103.

(30) **Foreign Application Priority Data**

Feb. 20, 2017 (CN) ..... 201720150912.6

- (51) **LOC (13) Cl.** ..... **06-03**

- (52) **U.S. Cl.**  
USPC ..... **D6/654**

- (58) **Field of Classification Search**  
USPC ..... D6/641, 642, 648, 648.1–648.4, 654, D6/654.18, 654.21, 654.22, 655, 655.17, D6/655.18, 655.2  
CPC .... A47B 3/00; A47B 7/00; A47B 9/00; A47B 9/06; A47B 9/08; A47B 9/20; A47B 2009/006; A47B 13/00; A47B 13/02; A47B 13/08; A47B 13/10; A47B 13/12; A47B 17/00; A47B 21/00; A47B 21/02; A47B 21/0314; A47B 21/0371; A47B 2021/0307; A47B 2021/0321; A47B 2021/0335; A47B 2200/0001; A47B 2200/0002; A47B 2200/0003; A47B 2200/0011; A47B 2200/002; A47B 2200/0035; A47B 2200/0039; A47B 2200/004; A47B 2200/0042; A47B 2200/0046

See application file for complete search history.

(56) **References Cited**

U.S. PATENT DOCUMENTS

8,439,319	B2 *	5/2013	Page	.....	F16M 13/00	248/125.8
8,839,725	B2 *	9/2014	Kooistra	.....	A47B 11/00	108/147
10,357,103	B2 *	7/2019	Guzman	.....	A47B 13/12	
D870,491	S *	12/2019	Hu	.....	A47B 23/043	D6/655.2
2012/0248263	A1 *	10/2012	Grotenhuis	.....	A47B 21/02	248/123.2
2013/0284077	A1 *	10/2013	Copeland	.....	A47B 3/08	108/117
2014/0102340	A1 *	4/2014	Kooistra	.....	A47B 13/088	108/105
2017/0007017	A1 *	1/2017	Herring	.....	A47B 21/02	
2017/0290417	A1 *	10/2017	Cassamajor	.....	A47B 19/00	
2018/0228279	A1 *	8/2018	Guzman	.....	A47B 9/14	
2018/0279773	A1 *	10/2018	Rink	.....	A47B 23/043	
2019/0021486	A1 *	1/2019	Yu	.....	A47B 9/00	

\* cited by examiner

*Primary Examiner* — Mary Ann Calabrese

(74) *Attorney, Agent, or Firm* — Schneider IP Law LLC; Laura Schneider

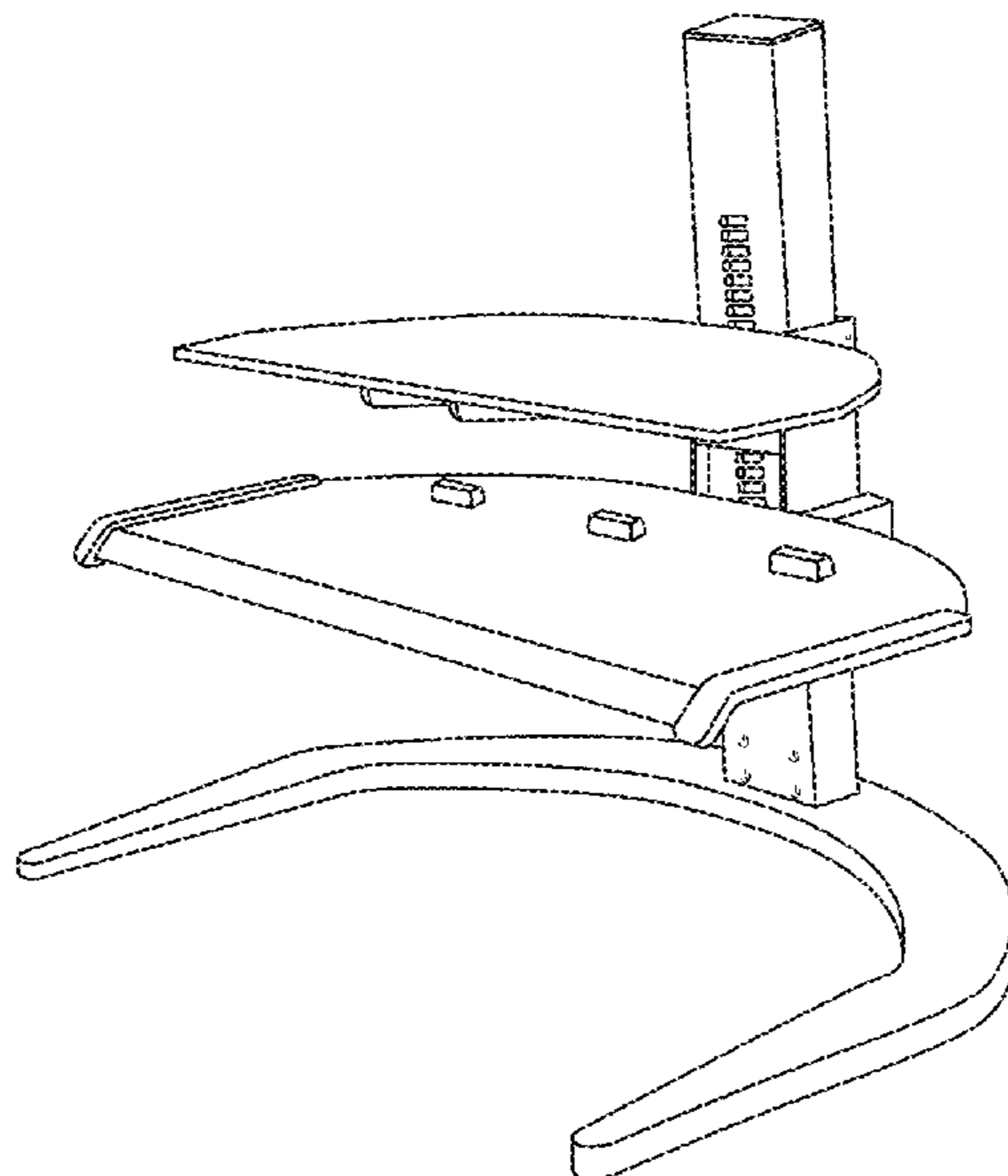
(57) **CLAIM**

The ornamental design for a height adjustable desk, as shown and described.

**DESCRIPTION**

FIG. 1 is a front perspective view of the claimed design; FIG. 2 is a back perspective view of the claimed design; FIG. 3 is a left side view of the claimed design; and, FIG. 4 is a front perspective view of the claimed design shown in an environment of use. The broken lines illustrate portions of the height adjustable desk and environment that form no part of the claimed design.

**1 Claim, 4 Drawing Sheets**



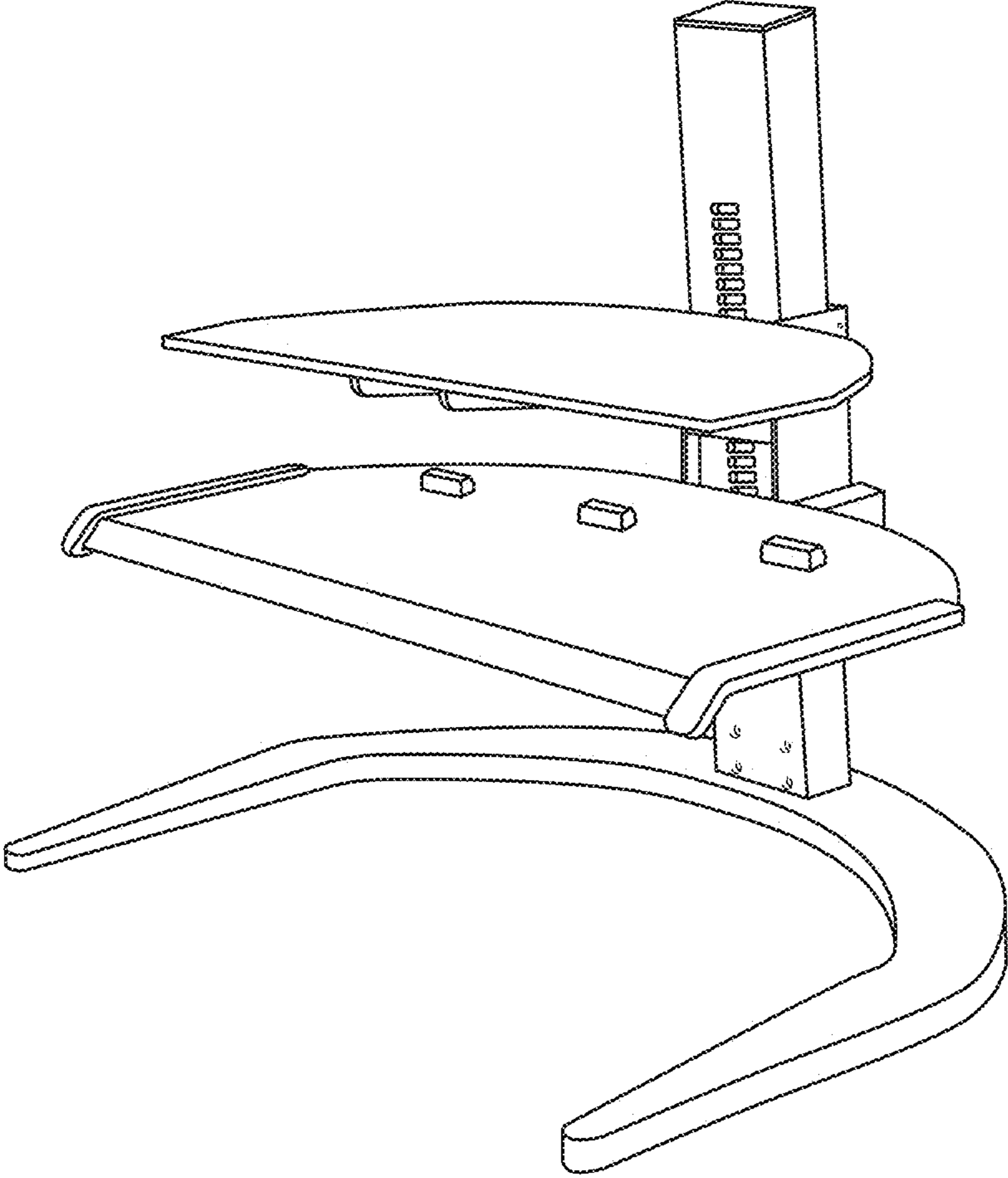


FIG.1

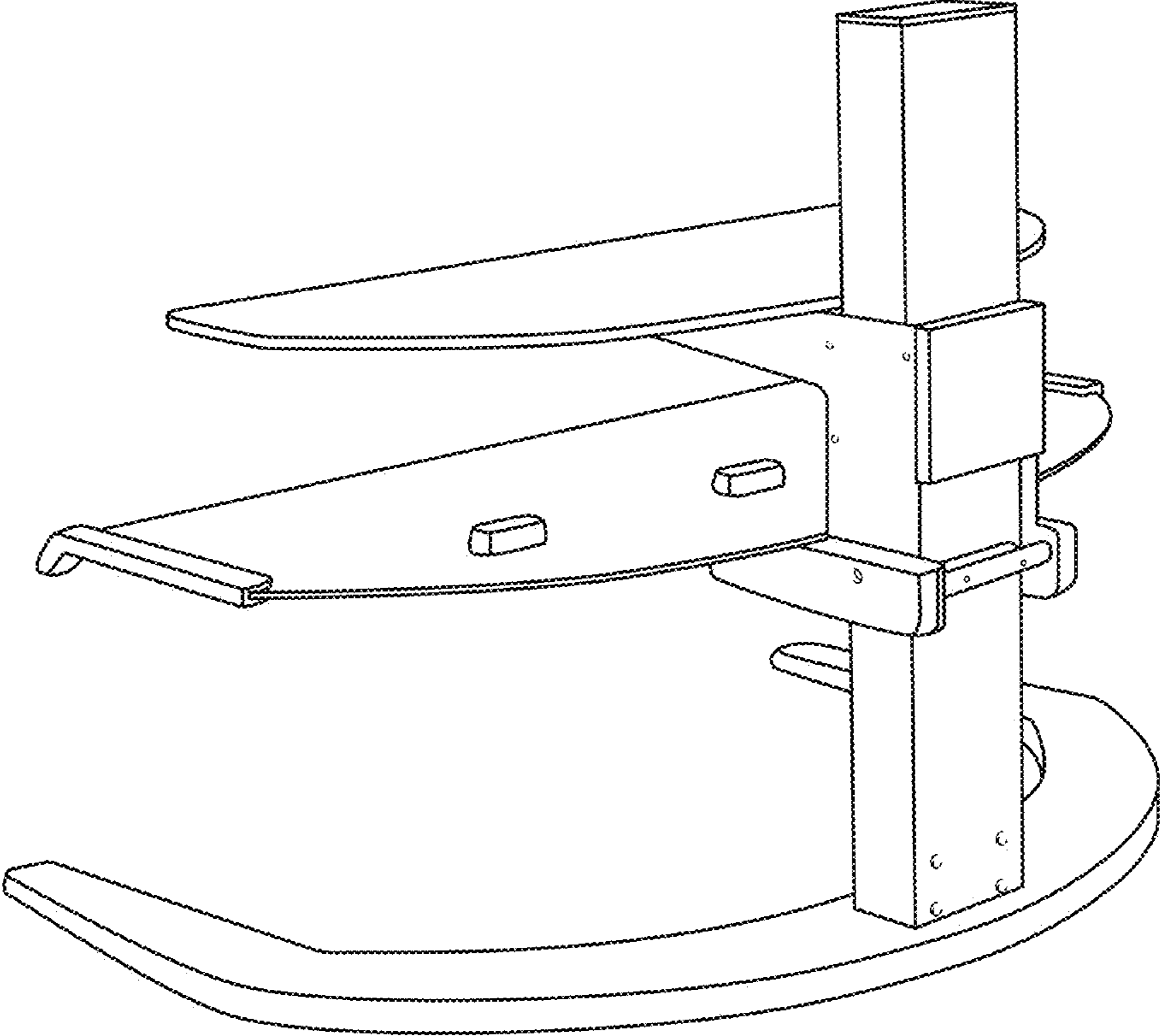


FIG.2

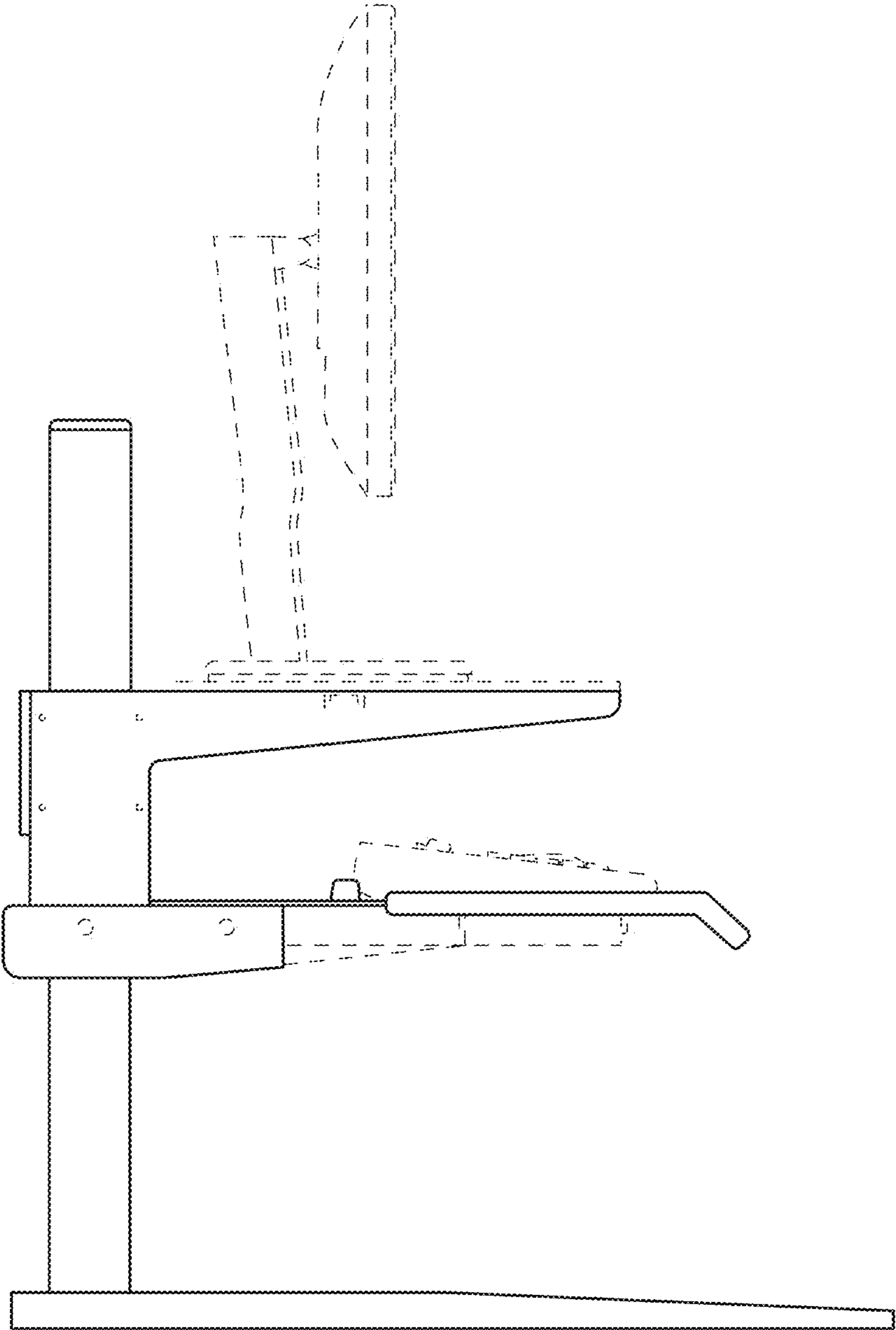


FIG.3

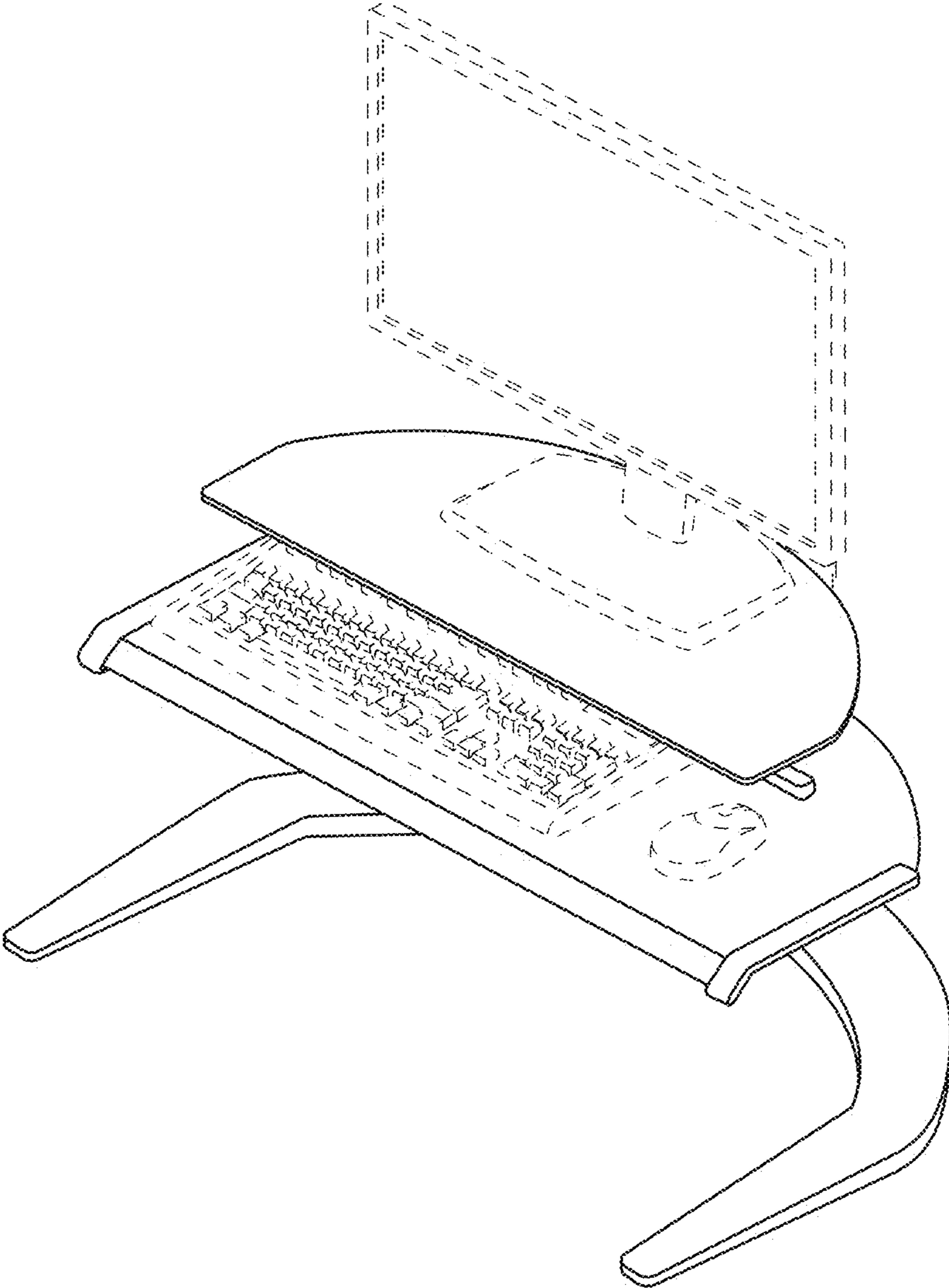


FIG.4