



US00D943312S

(12) **United States Design Patent** (10) **Patent No.:** **US D943,312 S**  
**Fang** (45) **Date of Patent:** **\*\* Feb. 15, 2022**

(54) **RECLINER COVER**

(71) Applicant: **SHAOXING VERSAILTEX CO., LTD.**, Zhejiang (CN)

(72) Inventor: **Li Fang**, Zhejiang (CN)

(73) Assignee: **SHAOXING VERSAILTEX CO., LTD.**, Zhejiang (CN)

(\*\*) Term: **15 Years**

(21) Appl. No.: **29/779,439**

(22) Filed: **Apr. 19, 2021**

(51) **LOC (13) Cl.** ..... **06-13**

(52) **U.S. Cl.**  
USPC ..... **D6/611**

(58) **Field of Classification Search**  
USPC ..... D6/329, 334, 374, 381, 596, 601, 608, D6/610, 611, 613, 616  
CPC ..... A45C 2009/002; A45F 2004/026; A47C 7/021; A47C 7/0213; A47C 7/024; A47C 27/001; A47C 27/002; A47C 31/10; B60N 2/58; B60N 2/60; B60N 2/6009; B60N 2/6018

See application file for complete search history.

(56) **References Cited**

**U.S. PATENT DOCUMENTS**

D105,575 S \* 8/1937 Easterman ..... D6/611  
2,546,109 A \* 3/1951 Puchalsky ..... A47C 31/11  
297/229  
4,092,049 A \* 5/1978 Schoblom ..... A47C 4/022  
297/218.4  
D289,466 S \* 4/1987 Leib ..... D6/334  
5,664,832 A \* 9/1997 Stevens ..... A47C 31/11  
297/225  
D777,473 S 1/2017 Rodack  
D909,094 S 2/2021 Chen

D915,794 S \* 4/2021 Wang ..... D6/610  
2008/0073955 A1 \* 3/2008 Illulian ..... A47C 31/11  
297/228  
2008/0315642 A1 \* 12/2008 Miller ..... A47C 31/11  
297/225

**FOREIGN PATENT DOCUMENTS**

EM 008471932-0001 \* 4/2021  
GB 6130613 \* 4/2021

**OTHER PUBLICATIONS**

Stretch Velvet Plush 5-Piece Recliner Sofa Cover [online], [site visited Dec. 14, 2021]. Available from internet, URL: <<https://www.overstock.com/Home-Garden/Stretch-Velvet-Plush-5-Piece-Recliner-Sofa-Cover-5-piece-3-seat-Recliner-Cover/34552842/product.html#review-aggregation-region>> (Year: 2021).\*

(Continued)

*Primary Examiner* — Cynthia Ramirez  
*Assistant Examiner* — Xavier Marti-Santos  
(74) *Attorney, Agent, or Firm* — ScienBiziP, P.C.

(57) **CLAIM**

The ornamental design for a recliner cover, as shown and described.

**DESCRIPTION**

FIG. 1 is a front, left, and top perspective view of a recliner cover, showing my design.  
FIG. 2 is a rear, right, and top perspective view thereof.  
FIG. 3 is a rear, right, and bottom perspective view thereof.  
FIG. 4 is a front, left, and bottom perspective view thereof.  
FIG. 5 is a front elevation view thereof.  
FIG. 6 is a rear elevation view thereof.  
FIG. 7 is a left side elevation view thereof.  
FIG. 8 is a right side elevation view thereof.  
FIG. 9 is a top plan view thereof; and,  
FIG. 10 is a bottom plan view thereof.

**1 Claim, 10 Drawing Sheets**



(56)

**References Cited**

OTHER PUBLICATIONS

H.VERSAILTEX Super Stretch Recliner Sofa Covers [online], [site visited Dec. 14, 2021]. Available from internet, URL: <[https://hversailtex.com/products/h-versailtex-super-stretch-recliner-sofa-covers-reclining-couch-covers-recliner-sofa-slipcovers-3-seater-furniture-covers-thick-soft-jacquard-fabric-form-fitting-and-easy-put-on?\\_pos=1&\\_sid=b761528de&\\_ss=r](https://hversailtex.com/products/h-versailtex-super-stretch-recliner-sofa-covers-reclining-couch-covers-recliner-sofa-slipcovers-3-seater-furniture-covers-thick-soft-jacquard-fabric-form-fitting-and-easy-put-on?_pos=1&_sid=b761528de&_ss=r)>(Year: 2021).\*

\* cited by examiner





FIG. 1



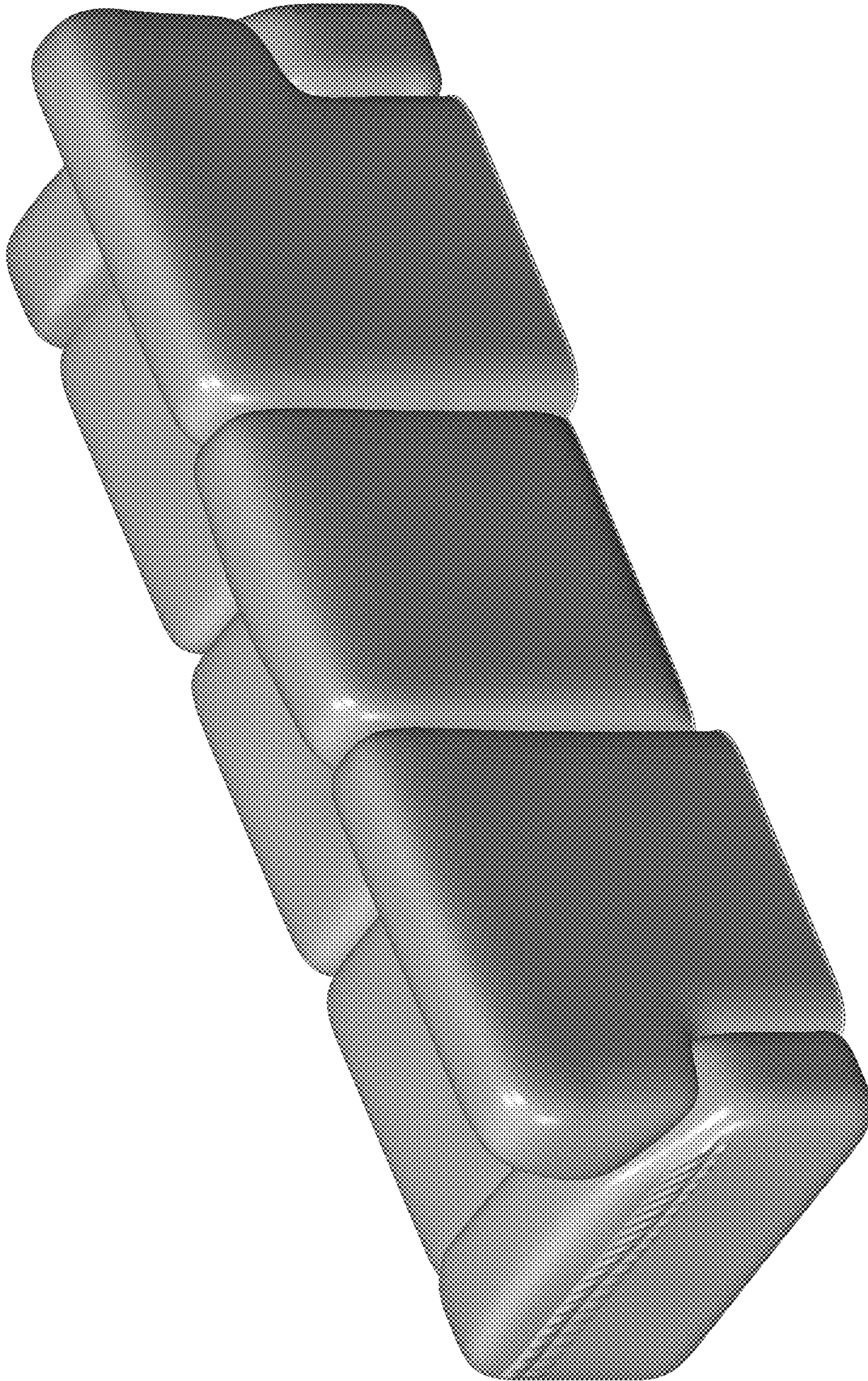


FIG. 2



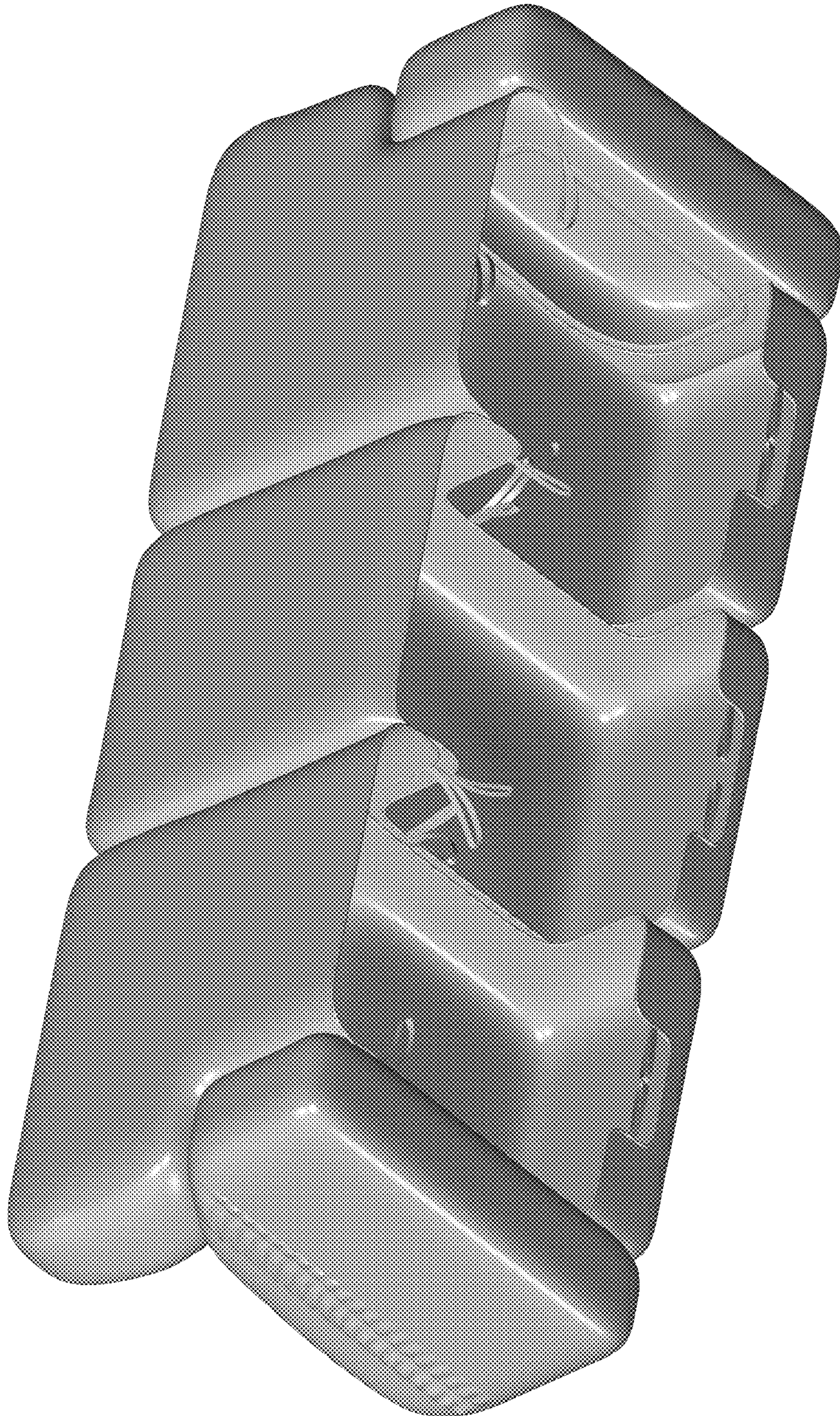


FIG. 3



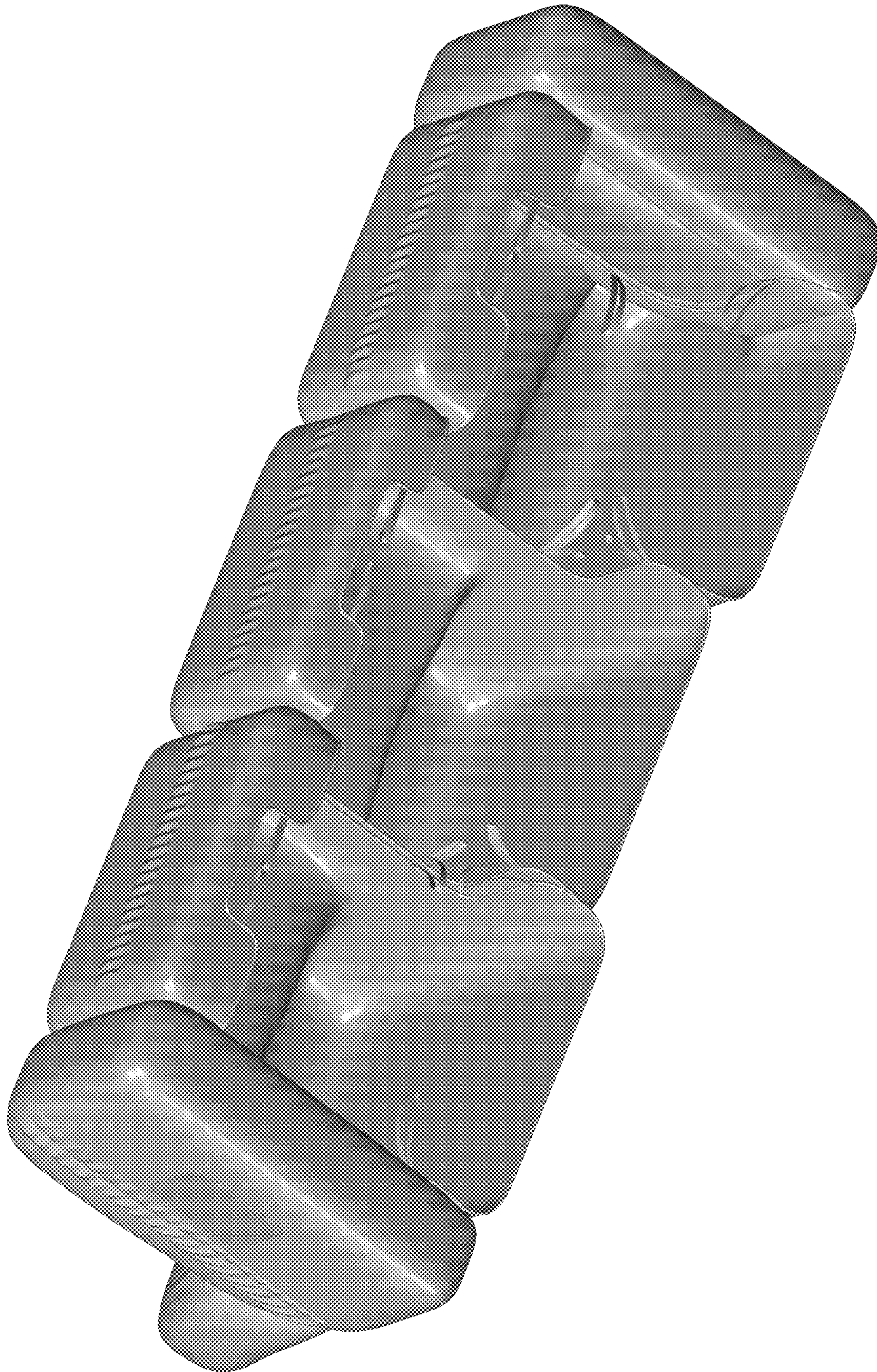


FIG. 4



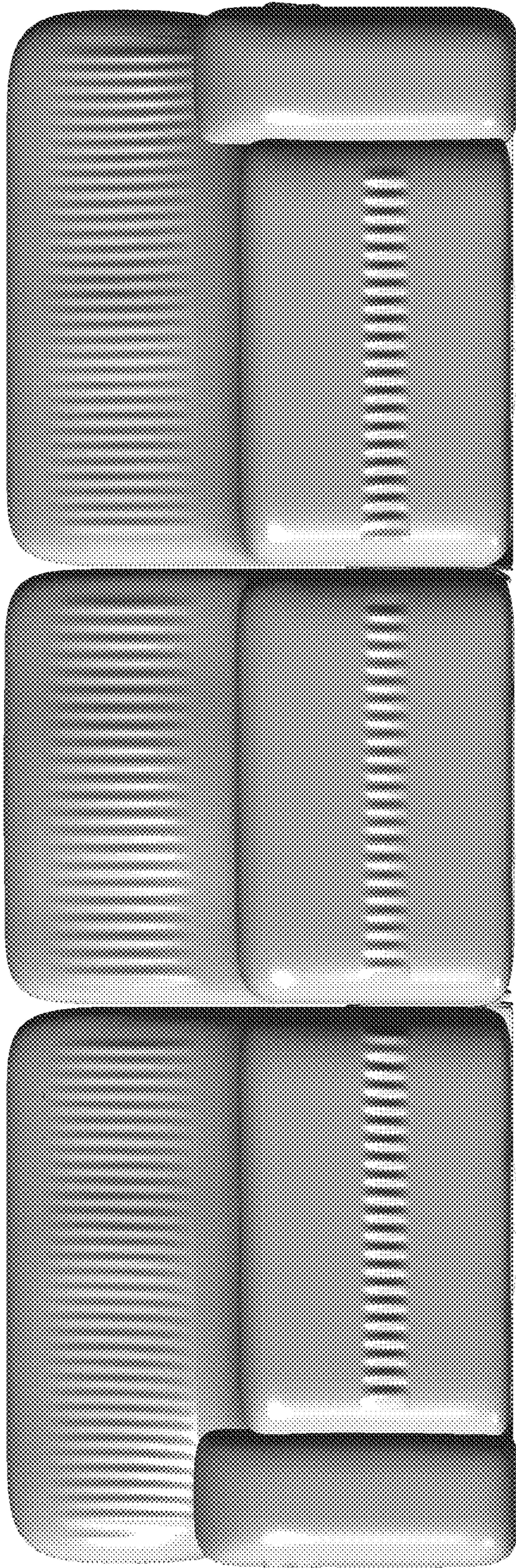


FIG. 5



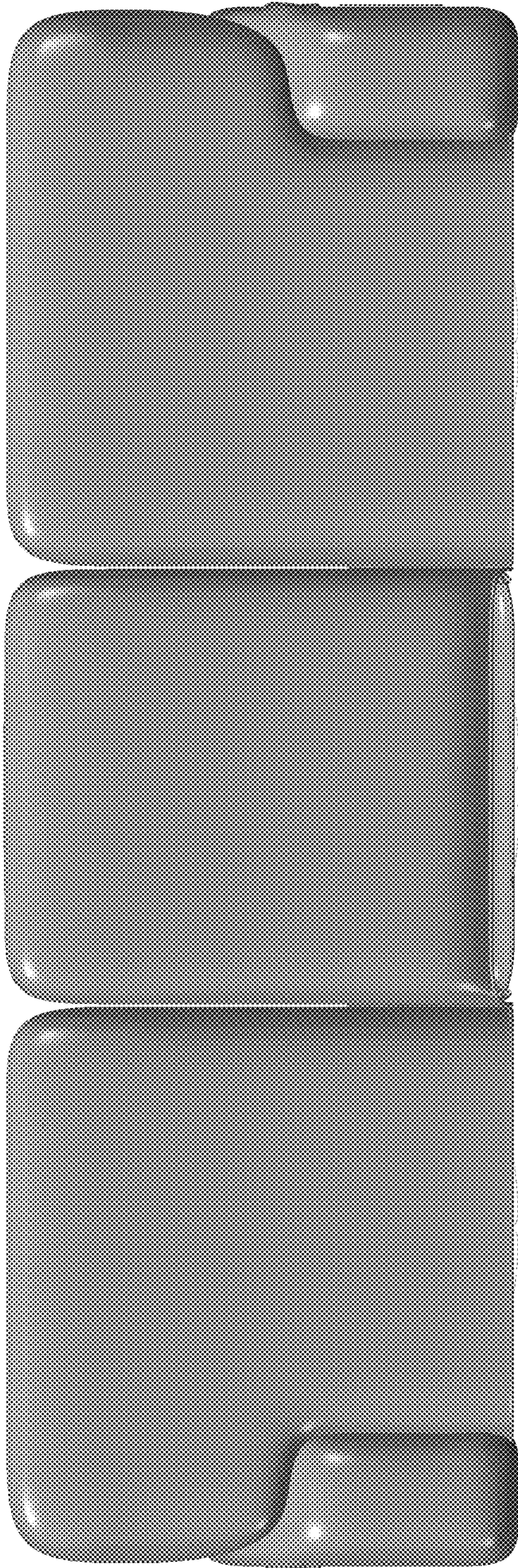


FIG. 6



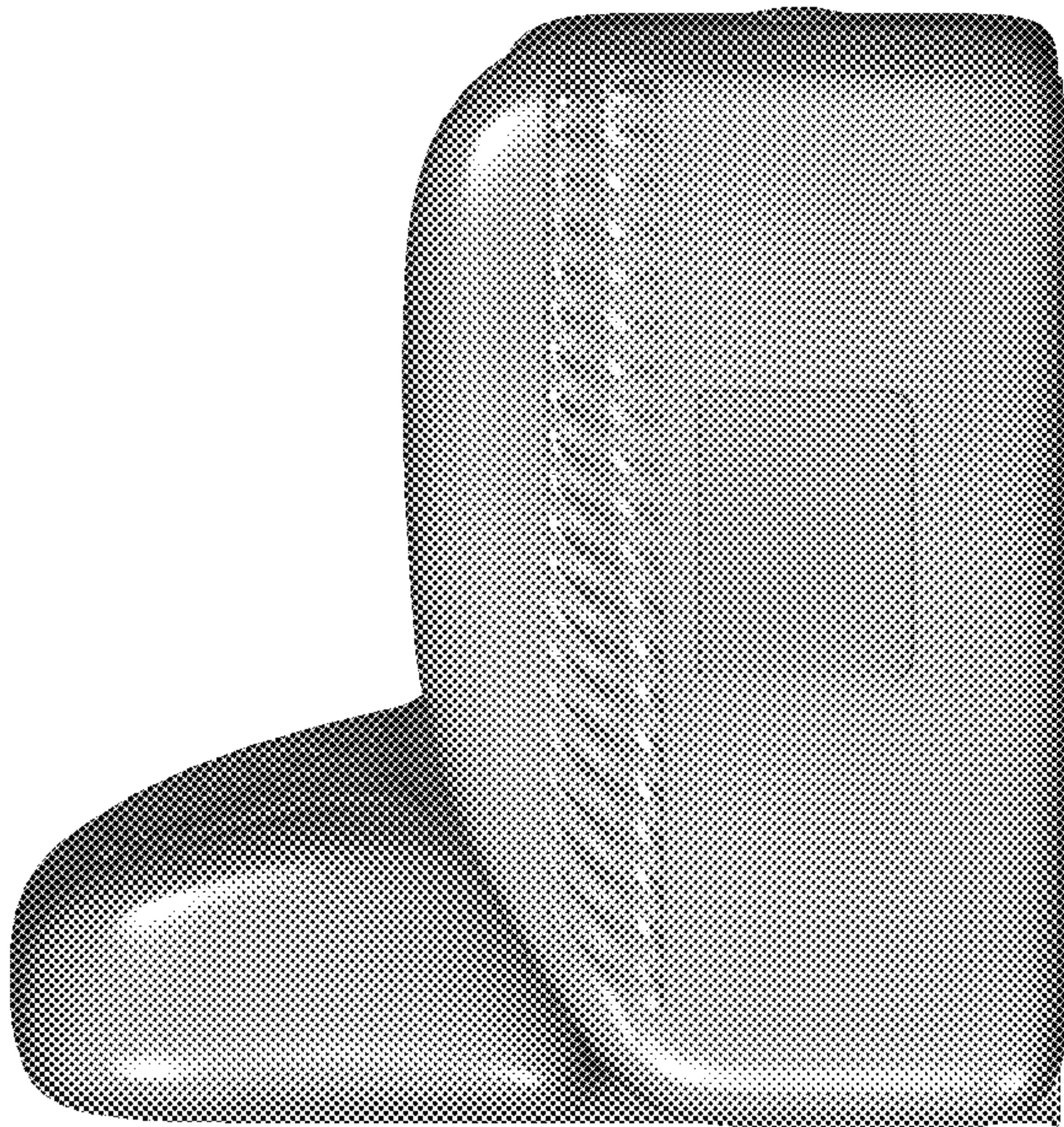


FIG. 7



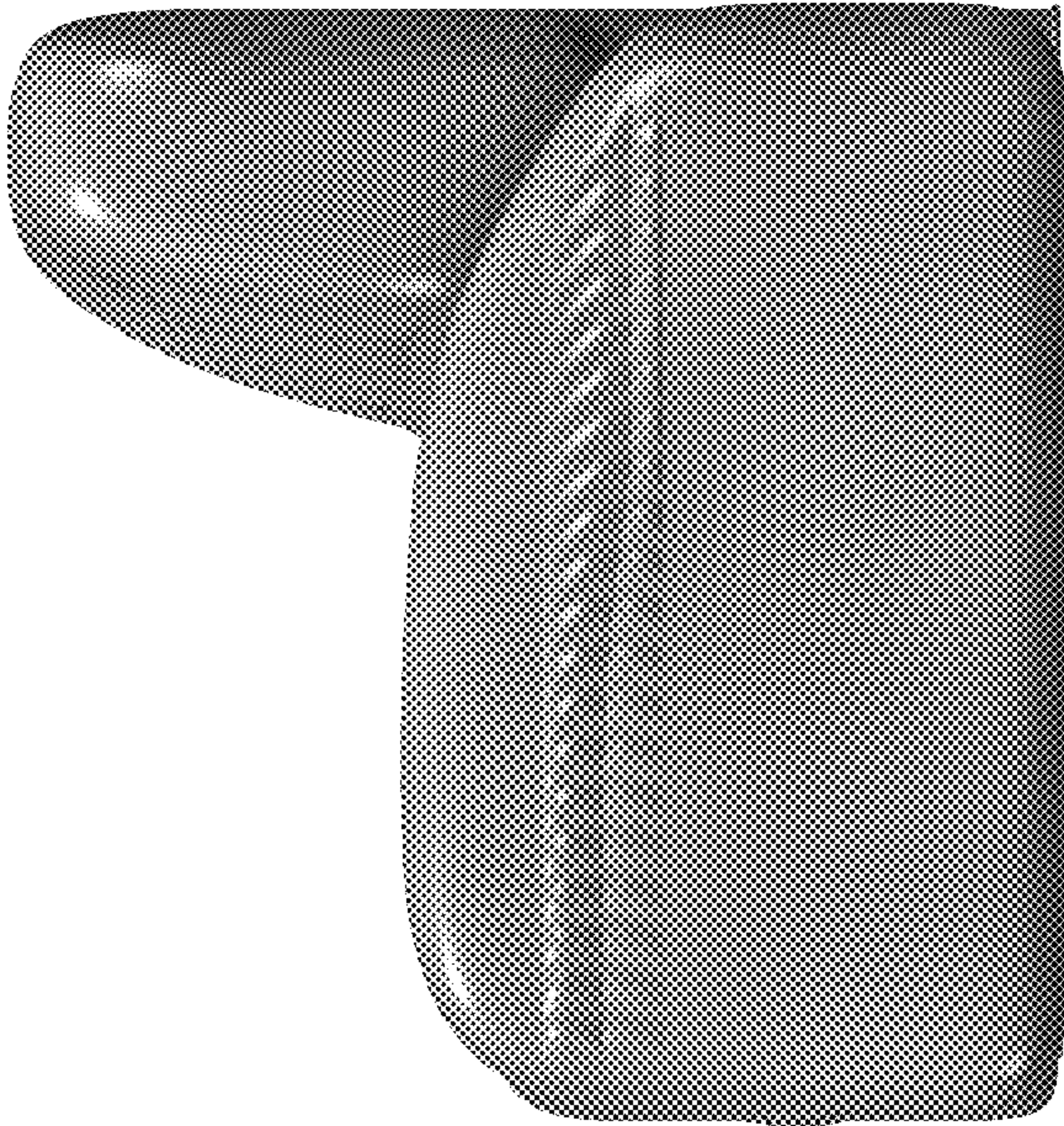


FIG. 8



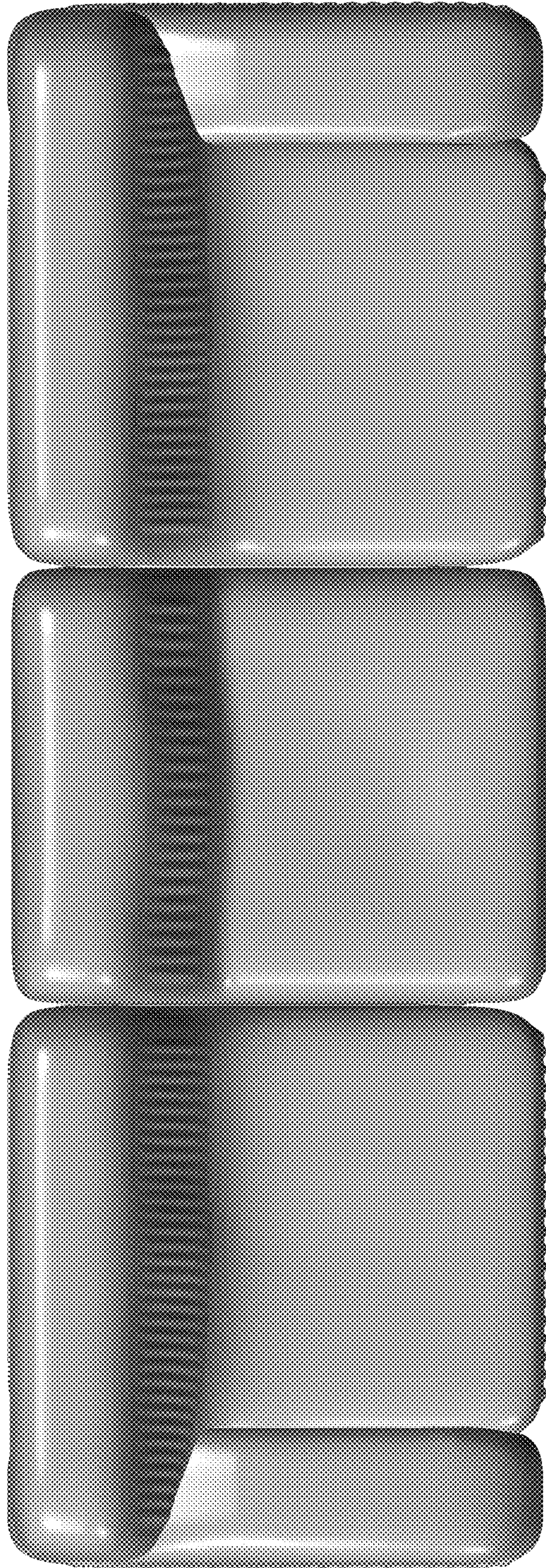


FIG. 9



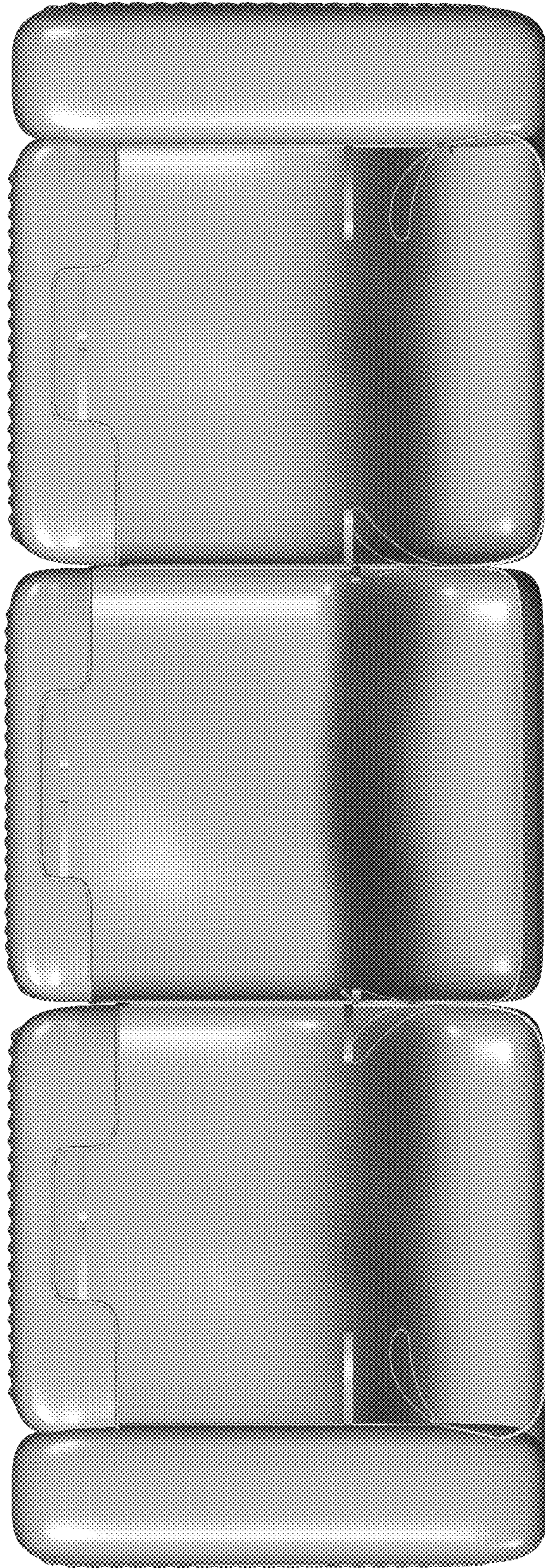


FIG. 10