



US00D943311S

(12) **United States Design Patent** (10) **Patent No.:** **US D943,311 S**
Szparski (45) **Date of Patent:** **** Feb. 15, 2022**

(54) **MEDICAL PILLOW COVER**

(71) Applicant: **OMST LLC**, Sunrise, FL (US)

(72) Inventor: **Olivia Szparski**, Fort Lauderdale, FL (US)

(**) Term: **15 Years**

(21) Appl. No.: **29/779,155**

(22) Filed: **Apr. 16, 2021**

(51) **LOC (13) Cl.** **06-09**

(52) **U.S. Cl.**
USPC **D6/601**

(58) **Field of Classification Search**
USPC D6/595, 596, 597, 600, 601, 603, 604, D6/605, 606, 608, 522, 546, 582, 583; D24/183, 185, 234; D21/803, 804, 805, D21/809, 439, 440
CPC A47G 2009/1018; A47G 2009/003; A47G 9/0253; A47G 9/10; A47G 9/1027; A47G 9/1036; A47G 9/1054; A47G 9/1063; A47G

(Continued)

(56) **References Cited**

U.S. PATENT DOCUMENTS

D211,244 S * 6/1968 Hawley D6/601
D211,721 S * 7/1968 Radford D6/601

(Continued)

FOREIGN PATENT DOCUMENTS

CN 305892839 * 7/2013
CN 306102103 * 10/2020
CN 306159124 * 11/2020

OTHER PUBLICATIONS

Google search: "support pillow" [site visited May 15, 2021]:
<https://www.google.com/search?q=support+pillow&sxsrf=>

AOaemvlByKzxkeolpLD0qdYn_-hPVKhvjw:1636060186106 &source=Inms&tbn=isch&sa=X&ved=2ahUKEwj28-SRz_zAhWYoXIEH3DqMQ_AUoA3oECAEQBQ&biw=1920&bih=1057&dpr=1 (Year: 2021).*

(Continued)

Primary Examiner — Sanjeev Paul

(74) *Attorney, Agent, or Firm* — Derek Fahey; The Plus IP Firm

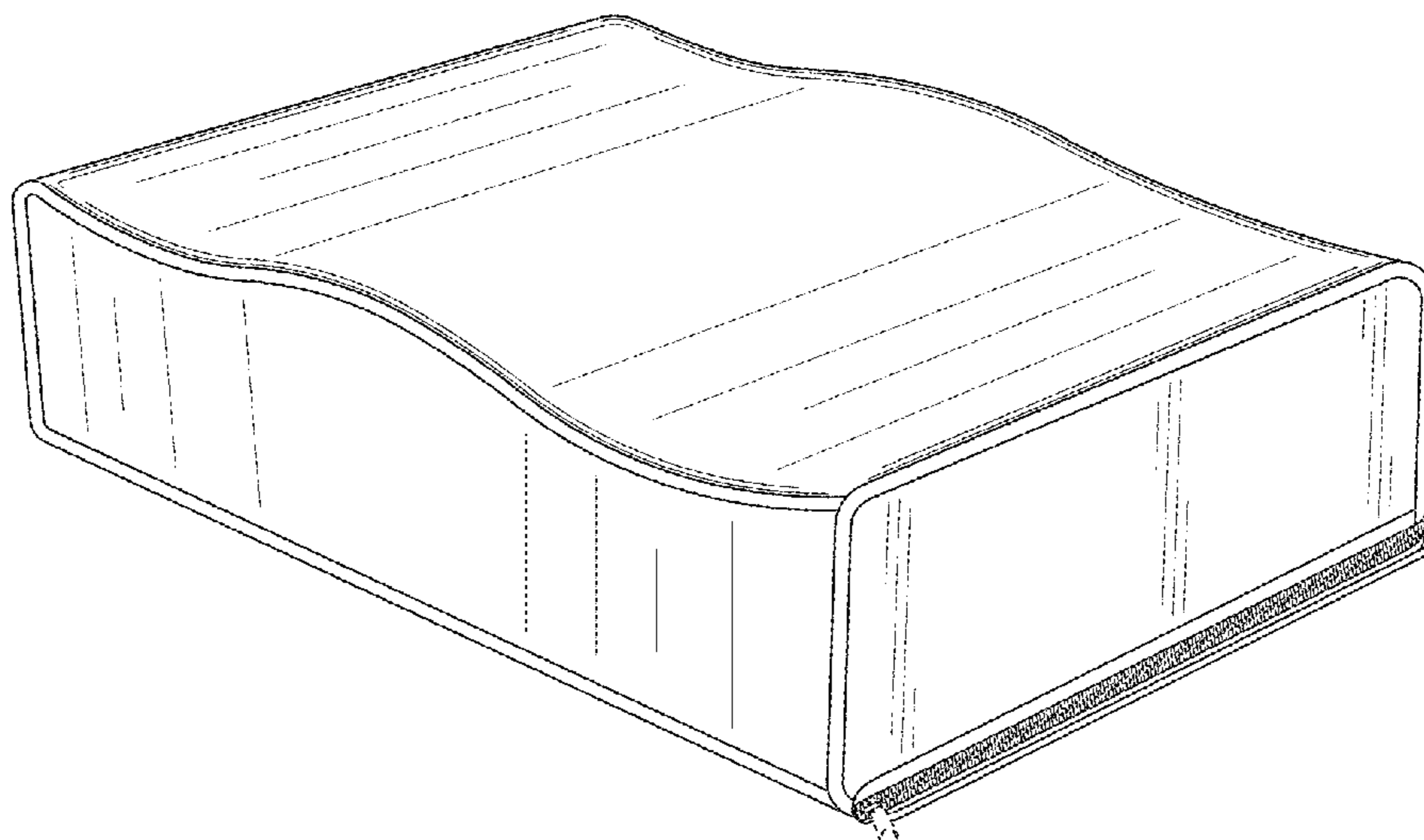
(57) **CLAIM**

The ornamental design for a medical pillow cover, as shown and described.

DESCRIPTION

FIG. 1 is a top view of a medical pillow cover showing my new design;
FIG. 2 is a bottom view illustrating grip texture on the surface of the medical pillow cover;
FIG. 3 is a front view illustrating wide stitching at the boundary of the medical pillow cover;
FIG. 4 is a back view illustrating wide stitching at the boundary of the medical pillow cover;
FIG. 5 is a first side view illustrating wide stitching at the boundary of the medical pillow cover;
FIG. 6 is a second side view illustrating wide stitching at the boundary of the medical pillow cover;
FIG. 7 is a perspective view illustrating wide stitching at the boundary of the medical pillow cover in operation by a user;
FIG. 8 is a perspective view illustrating wide stitching at the boundary of the medical pillow cover in operation by a user; and,
FIG. 9 is a perspective view illustrating wide stitching at the boundary of the medical pillow cover.
The circle-dotted pattern illustrated in FIG. 2 represents a grip texture on the medical pillow cover forming part of the claimed design. The single dashed or broken lines illustrated in FIGS. 2-9 represent the zip fastener grip forming no part of the claimed design. The single dashed or broken lines as illustrated in FIGS. 7-8 represents a user forming no part of the claimed design. The broken lines in FIG. 2 on the bottom surface of the medical pillow cover represent stitching that forms no part of the claimed design.

1 Claim, 9 Drawing Sheets



(58) **Field of Classification Search**

CPC 9/1072; A47G 9/1081; A47G 9/109; A45F
4/06; A47C 21/06; A47C 7/18; A47C
20/00; A47C 17/80; A47C 17/82; A47C
17/64; A47C 27/00; A47C 27/14; A47C
23/00

See application file for complete search history.

(56) **References Cited**

U.S. PATENT DOCUMENTS

3,555,582 A * 1/1971 Radford A47G 9/10
5/632
3,648,308 A * 3/1972 Greenawalt A47G 9/1081
5/632
D254,029 S * 1/1980 Barbagallo 5/636
4,475,542 A * 10/1984 Brassard A61G 13/009
5/630
D276,938 S * 12/1984 Pedersen 5/636
4,528,705 A 7/1985 Greenawalt
D284,724 S * 7/1986 Clark D6/596
4,756,090 A 7/1988 Pedrow
D321,562 S * 11/1991 Ljungvall D24/183
D334,107 S * 3/1993 Johnson D6/601
D366,966 S * 2/1996 Bonaddio D6/335
D400,386 S * 11/1998 Keilhauer D6/601
6,154,904 A * 12/2000 Ehredt A45C 3/10
5/639
6,345,401 B1 * 2/2002 Frydman A47G 9/10
5/636
6,347,421 B1 * 2/2002 D'Emilio A47C 7/383
297/391
D466,750 S * 12/2002 Landvik D6/601
6,578,218 B2 * 6/2003 Wassilefsky A47C 20/021
5/630
6,935,697 B2 * 8/2005 Conlon A47C 16/02
297/423.41
D521,301 S * 5/2006 Dickson D6/601
D531,315 S * 10/2006 Caudra D24/183
D542,071 S * 5/2007 Chan D6/601
D637,030 S * 5/2011 Khandai D6/601
D652,935 S * 1/2012 Held D24/183
8,726,436 B2 5/2014 Wright
D728,799 S * 5/2015 Ravikumar D24/184

D734,546 S * 7/2015 Baker D28/57
D758,100 S * 6/2016 Pham D6/601
D764,062 S * 8/2016 Dennewald A47G 9/1081
D24/183
D807,973 S * 1/2018 Leonardo D21/686
D823,479 S * 7/2018 Mollohan D24/215
D833,628 S * 11/2018 Davis D24/190
D845,035 S * 4/2019 Raad D6/601
D859,664 S * 9/2019 Dennewald D24/183
D863,824 S * 10/2019 Comercio D6/601
D864,612 S * 10/2019 Castellano D6/601
10,426,279 B2 10/2019 Ibrahim
D869,197 S * 12/2019 Chen D6/601
D871,593 S * 12/2019 Rossouw D24/190
D895,664 S 9/2020 Baber et al.
D907,941 S * 1/2021 Pavlin D6/601
D908,392 S * 1/2021 Chanfrau, IV D6/601
D909,792 S * 2/2021 Despen D6/601
D920,005 S * 5/2021 Pound D6/601
D929,769 S * 9/2021 Brown D6/601
Chen D6/597
2004/0139549 A1 7/2004 Mohrekesh et al.
2015/0164727 A1 * 6/2015 Lopez A61G 5/1091
5/653
2016/0338499 A1 * 11/2016 Langer A61G 7/05723
2019/0365553 A1 * 12/2019 Drivere A61F 5/01
2021/0030583 A1 * 2/2021 Chanfrau, IV A47G 9/1072

OTHER PUBLICATIONS

Google search: "leg pillow" [site visited May 15, 2021]: https://www.google.com/search?q=leg+pillow&sxsrf=AOaemvL3E-IU8FRUmlAEaZXoDse2y0Bzyw:1636060408565&source=lnms&tbm=isch&sa=X&ved=2ahUKEwiE3O77z_zAhVcgnIEHbVHDo0Q_AUoAnoECAEQBA&biw=1200&bih=1777&dpr=1 (Year: 2021).*

Google search: "medical pillow" [site visited May 15, 2021]: https://www.google.com/search?q=medical+pillows&sxsrf=AOaemvLawMD5E71xUJgFu00fSw_H06ve8A:1636157664582&source=lnms&tbm=isch&sa=X&ved=2ahUKEwjx5JKjuoL0AhVZq3IEHSMxBDUQ_AUoAnoECAEQBA&biw=1200&bih=1777&dpr=1 (Year: 2021).*

* cited by examiner

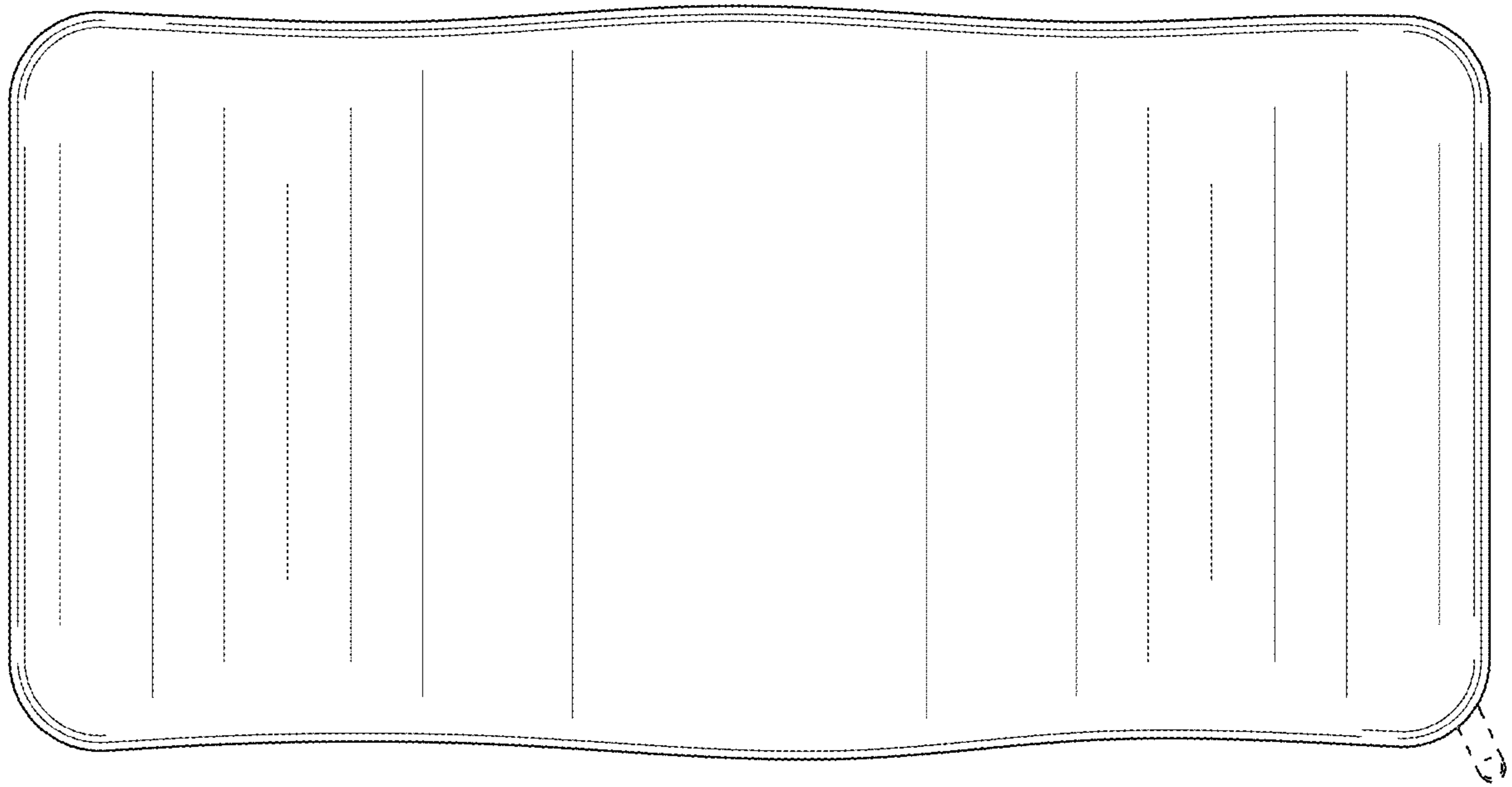


FIG. 1

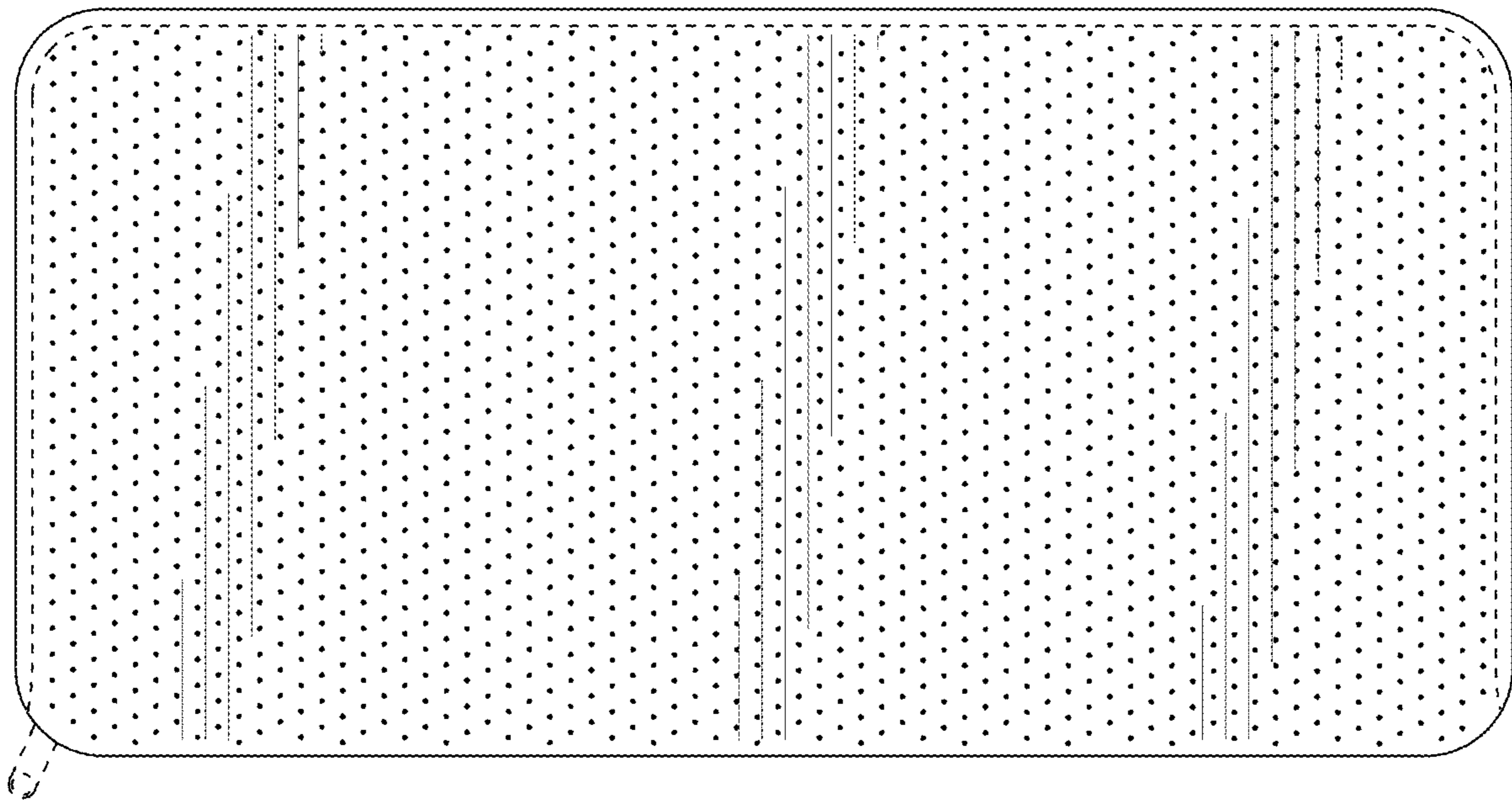


FIG. 2

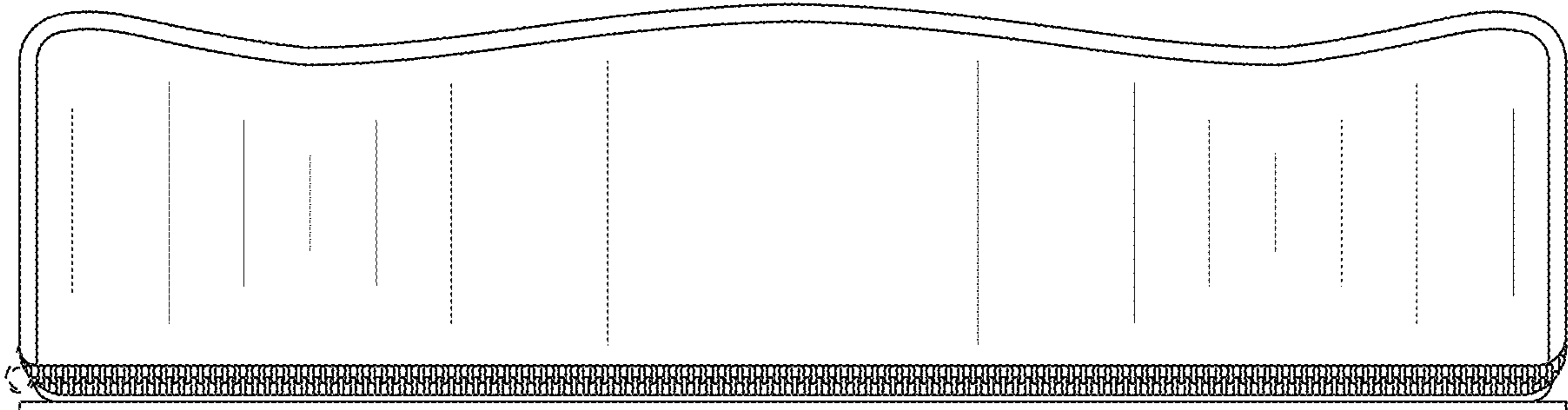


FIG. 3

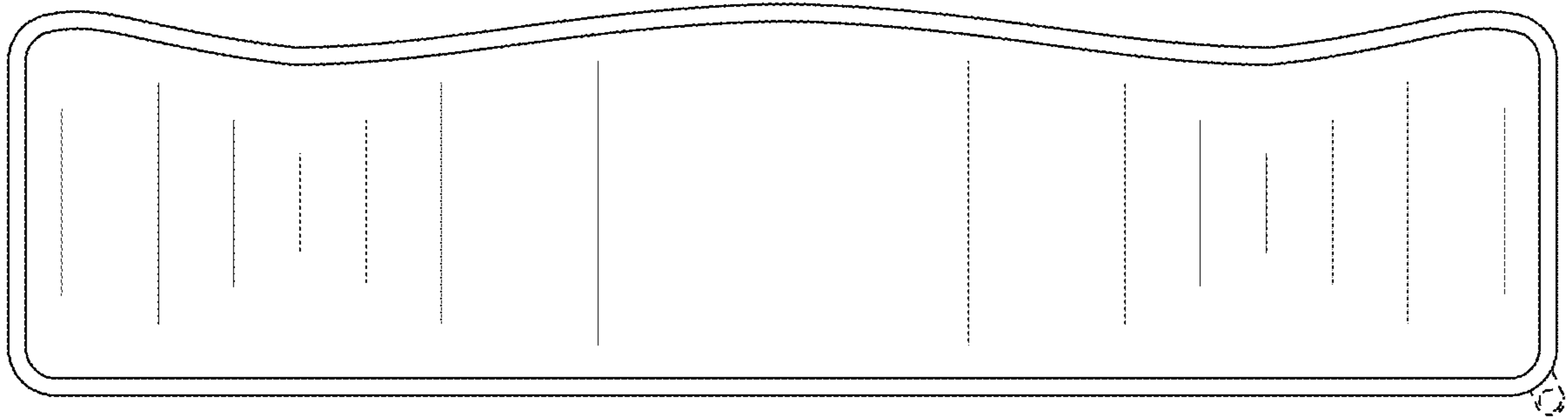


FIG. 4

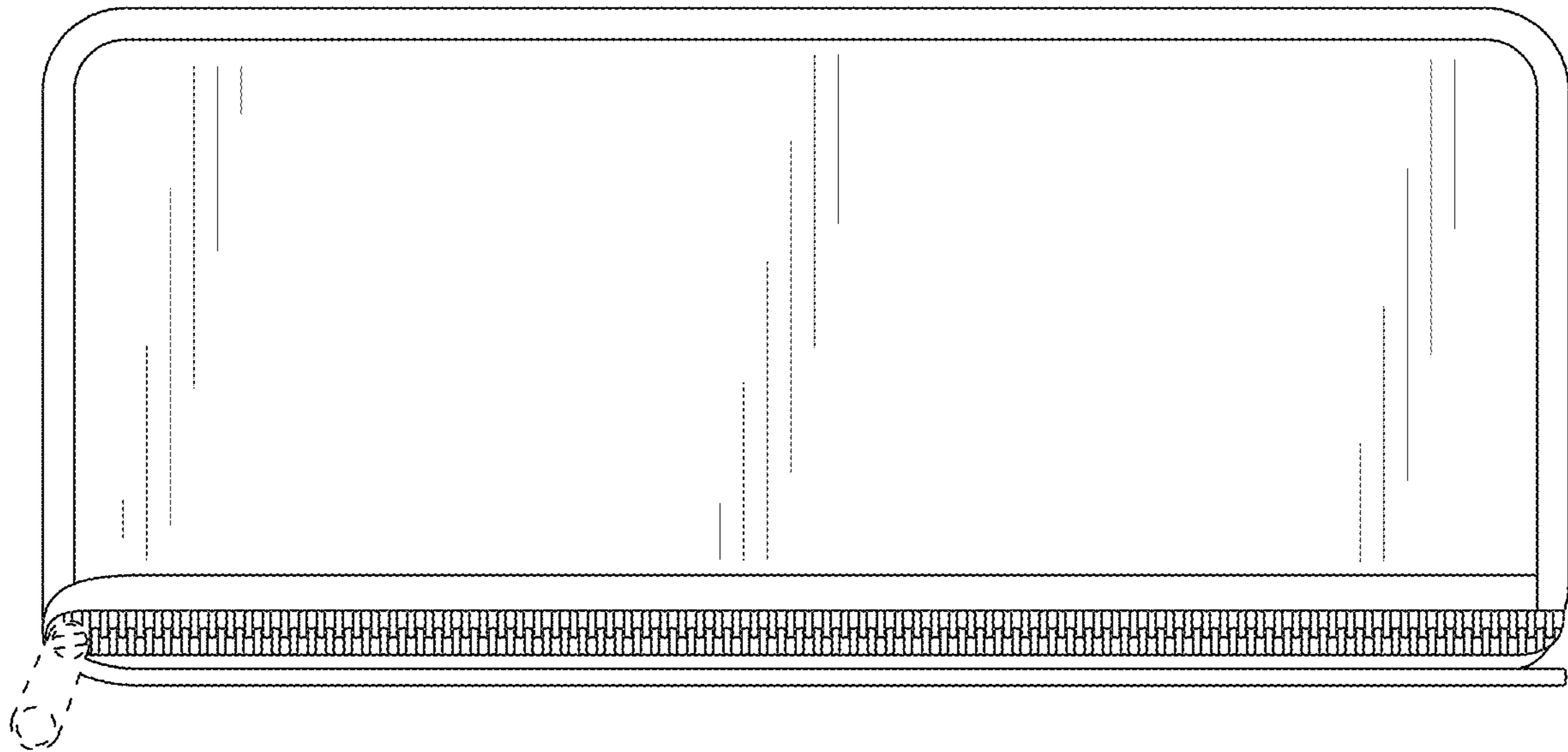


FIG. 5

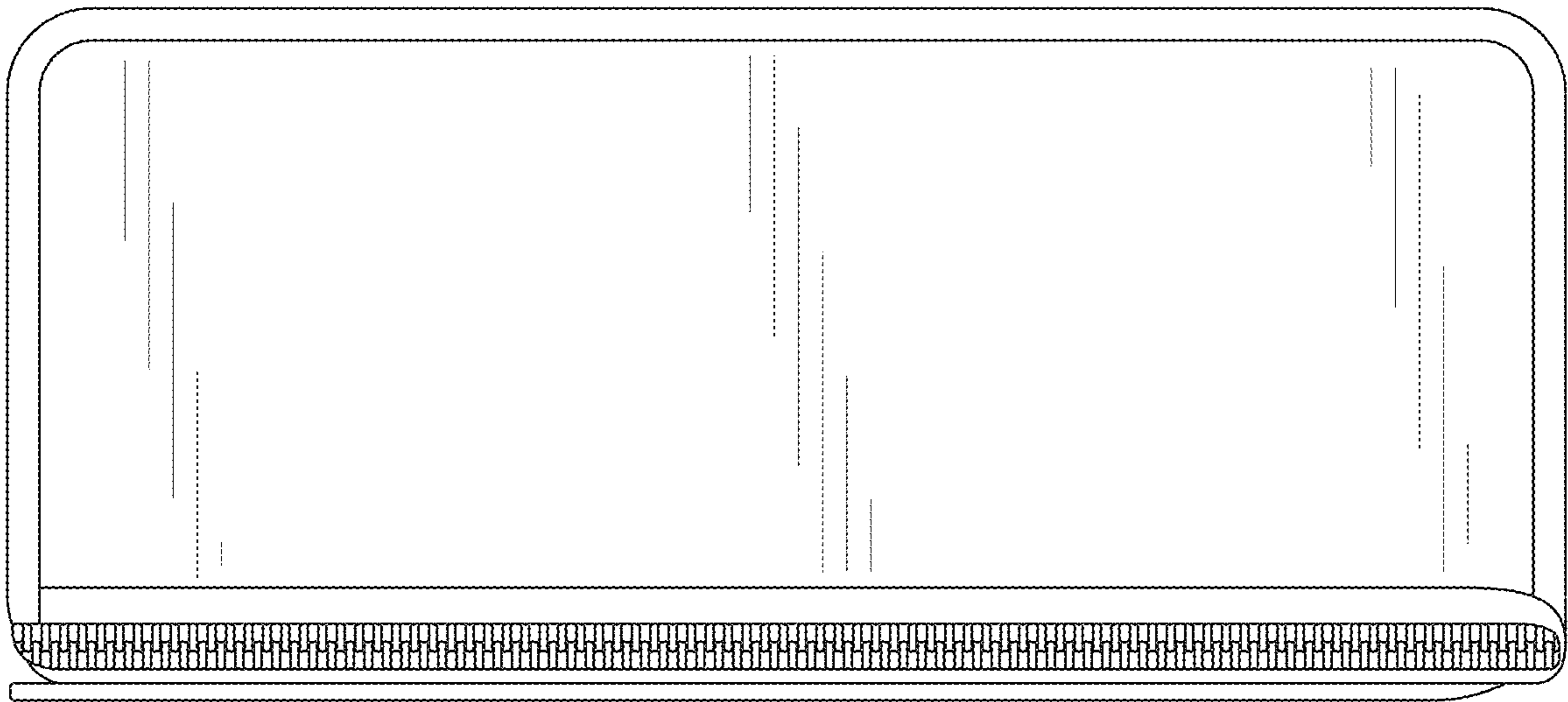


FIG. 6

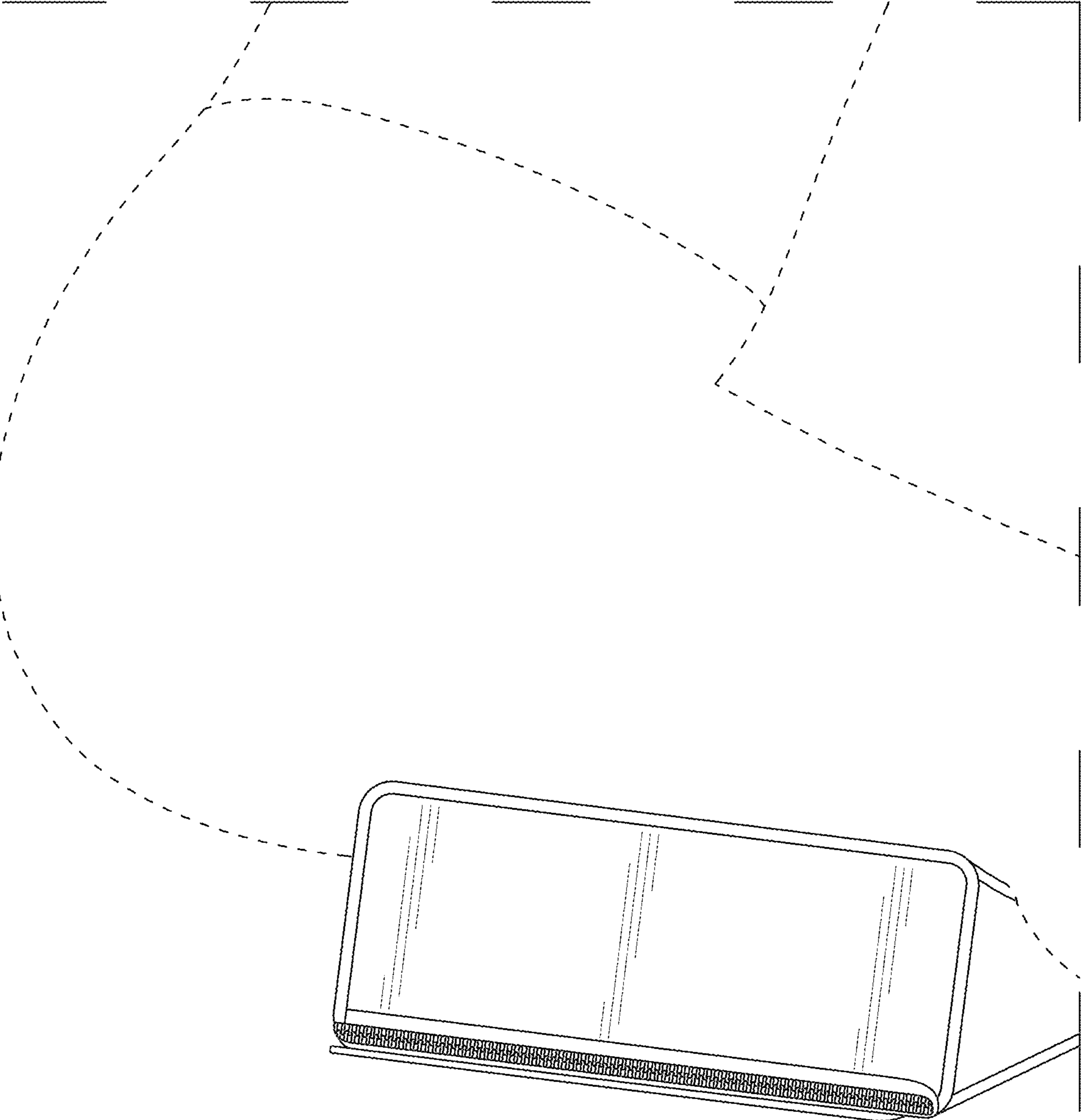


FIG. 7

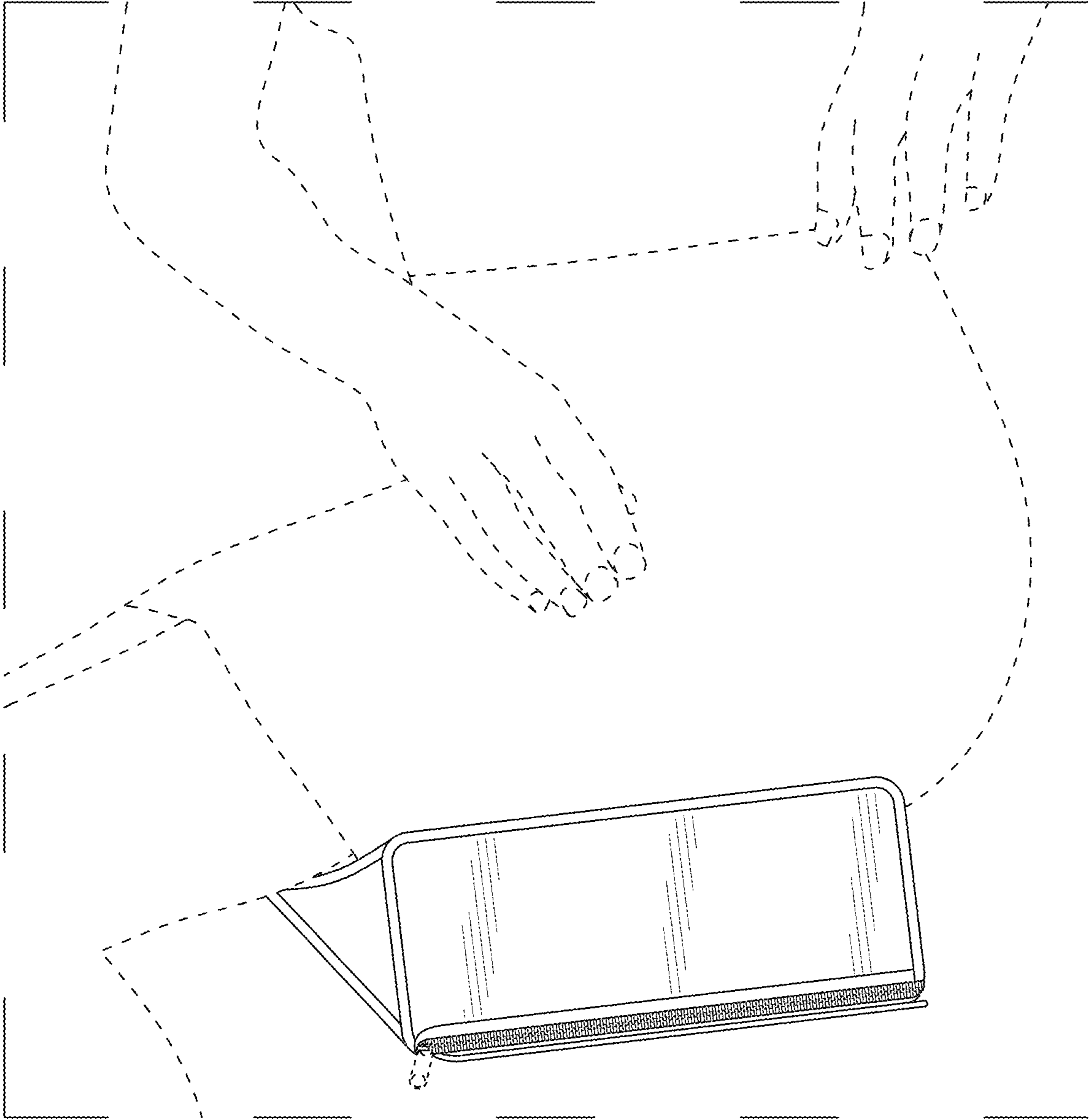


FIG. 8

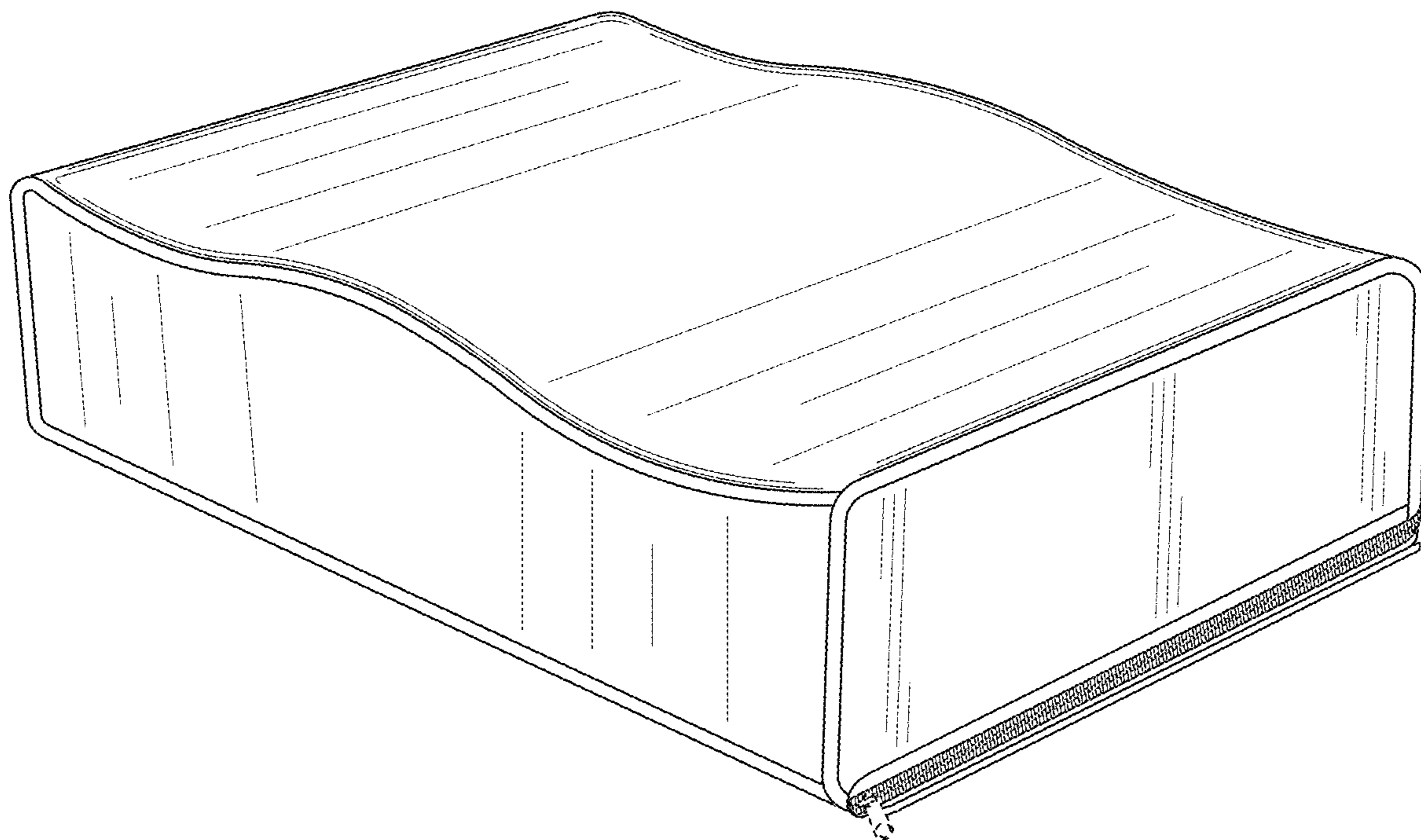


FIG. 9