



US00D943303S

(12) **United States Design Patent**
Bennett et al.

(10) **Patent No.:** **US D943,303 S**
(45) **Date of Patent:** **** Feb. 15, 2022**

- (54) **END TIP FOR SHADE SYSTEM**
- (71) Applicant: **InPro Corporation**, Muskego, WI (US)
- (72) Inventors: **Matthew G. Bennett**, New Berlin, WI (US); **Calvin T. Rupnow**, Cedarburg, WI (US)
- (73) Assignee: **InPro Corporation**, Muskego, WI (US)
- (**) Term: **15 Years**
- (21) Appl. No.: **29/695,052**
- (22) Filed: **Jun. 14, 2019**
- (51) **LOC (13) Cl.** **06-10**
- (52) **U.S. Cl.**
USPC **D6/580**
- (58) **Field of Classification Search**
USPC D6/575-577, 580-581; D13/155;
D26/138
CPC A47H 1/14; A47H 1/142; A47H 1/144;
A47H 11/04; E06B 9/323; E06B 9/388;
E06B 9/42; E06B 9/46; E06B 9/48
See application file for complete search history.

(56) **References Cited**

U.S. PATENT DOCUMENTS

313,051	A *	3/1885	Bryan	A47H 11/04 16/442
5,813,447	A *	9/1998	Lysyj	E06B 9/262 160/84.04
6,138,740	A *	10/2000	Chou	E06B 9/36 160/298
8,002,012	B2 *	8/2011	Cheng	E06B 9/322 160/170
10,702,085	B1 *	7/2020	Newport	E04F 11/18
D902,696	S *	11/2020	Bennett	E06B 9/56 D8/354
D926,707	S *	8/2021	Campos	D13/155
2007/0056692	A1 *	3/2007	Nien	E06B 9/322 160/168.1 R

- 2013/0248125 A1* 9/2013 Lin E06B 9/322
160/84.05
- 2013/0264976 A1* 10/2013 Lucas E06B 9/72
318/255
- 2014/0103178 A1* 4/2014 Baines E06B 7/28
248/231.31
- 2014/0158312 A1* 6/2014 Townsley E06B 9/56
160/243
- 2020/0392785 A1* 12/2020 Bennett E06B 9/581

* cited by examiner

Primary Examiner — Kevin K Rudzinski
Assistant Examiner — Clare Ann Gannon
(74) *Attorney, Agent, or Firm* — Reinhart Boerner Van Deuren s.c.

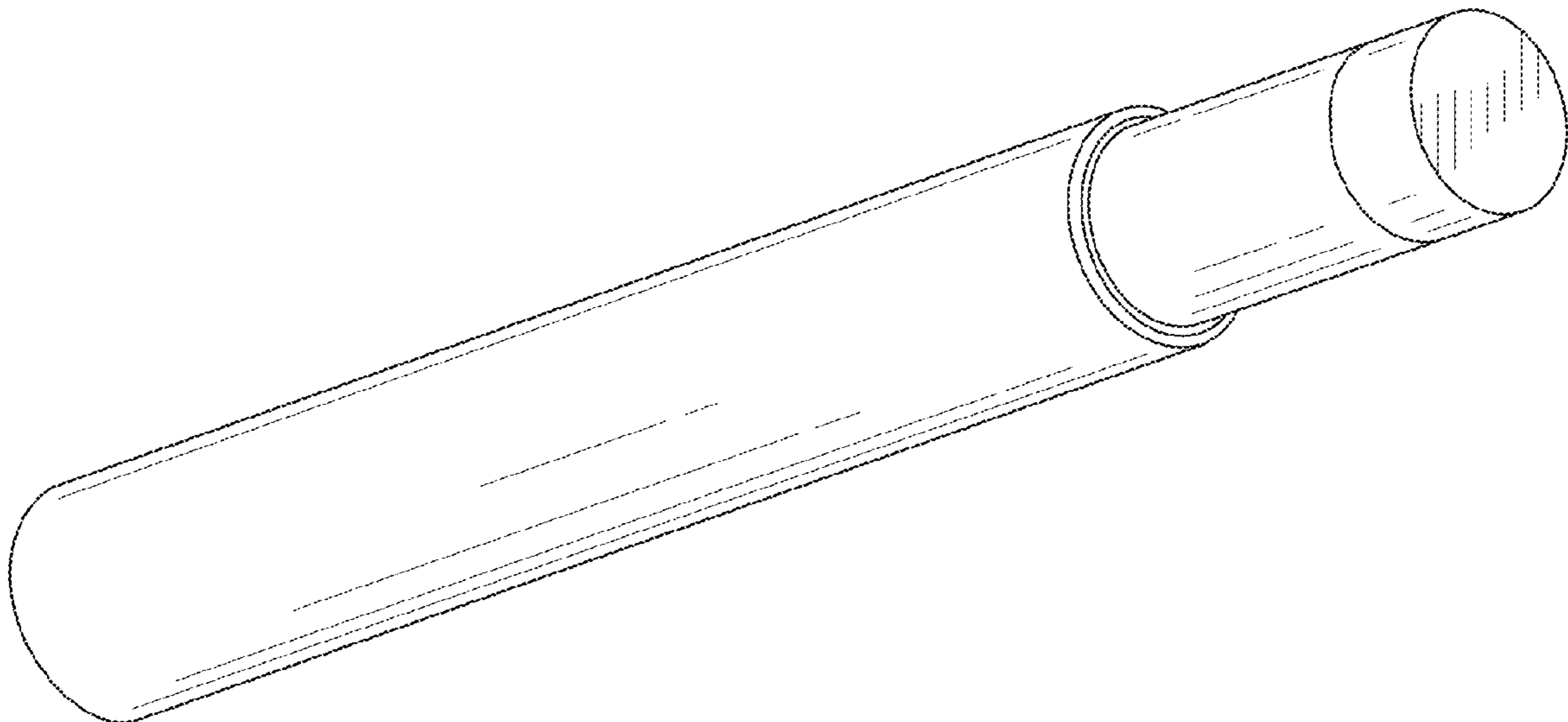
(57) **CLAIM**

We claim the ornamental design for the end tip for a shade system, as shown and described.

DESCRIPTION

FIG. 1 is a perspective view of the end tip for a shade system, shown in a configuration with the rod removed; FIG. 2 is another perspective view thereof; FIG. 3 is a right side view thereof; FIG. 4 is a left side view thereof; FIG. 5 is a front view thereof; FIG. 6 is a rear view thereof; FIG. 7 is a top view thereof; FIG. 8 is a bottom view thereof; FIG. 9 is a perspective view thereof, shown in an assembled configuration; FIG. 10 is another perspective view thereof; FIG. 11 is a side view thereof, the left side view, the right side view, the front side view, and the back side view all being the same; FIG. 12 is a top view thereof; and, FIG. 13 is a bottom view thereof. The broken lines in the drawings depict environment that form no part of the claimed design.

1 Claim, 8 Drawing Sheets



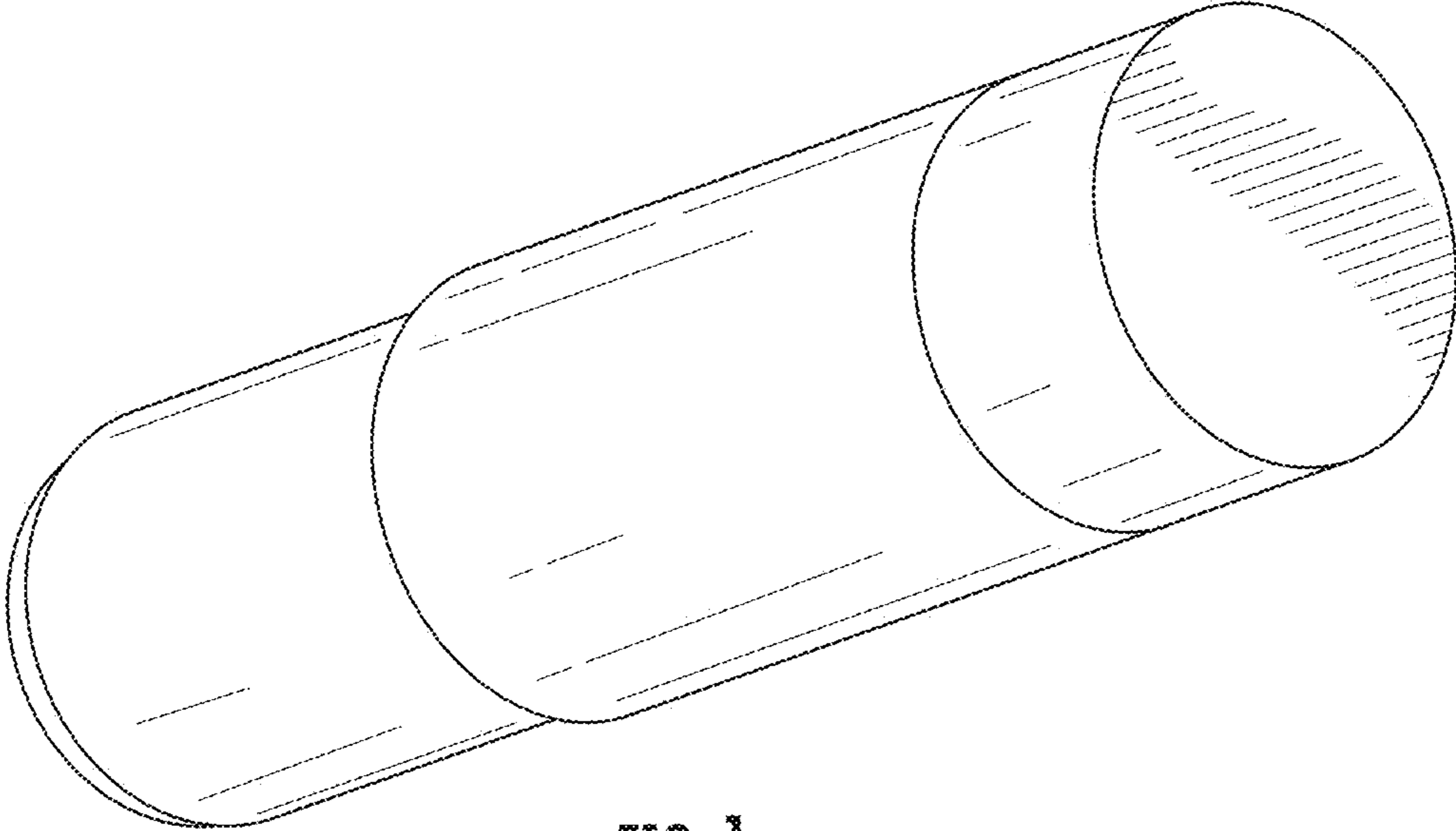


FIG. 1

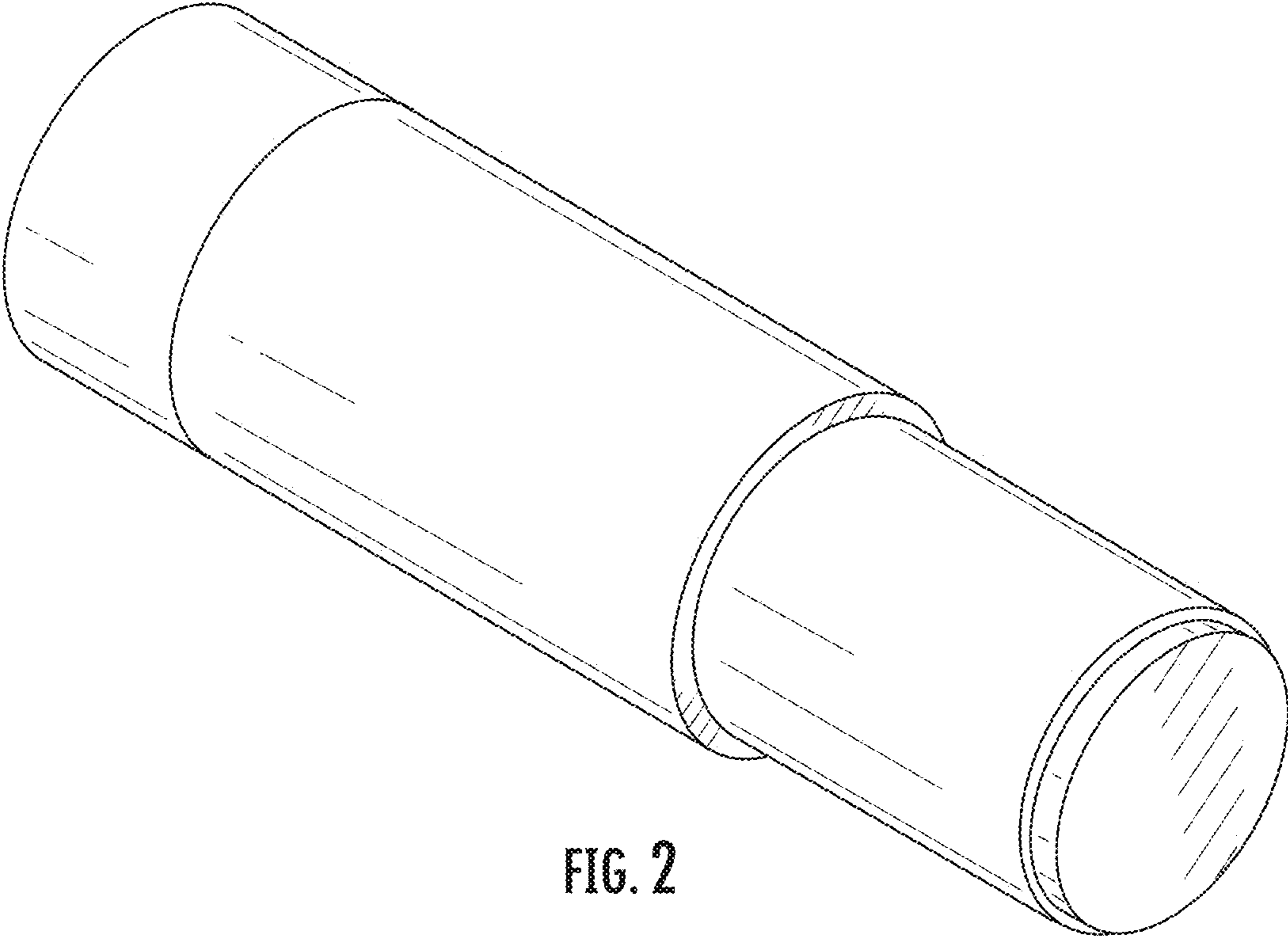


FIG. 2

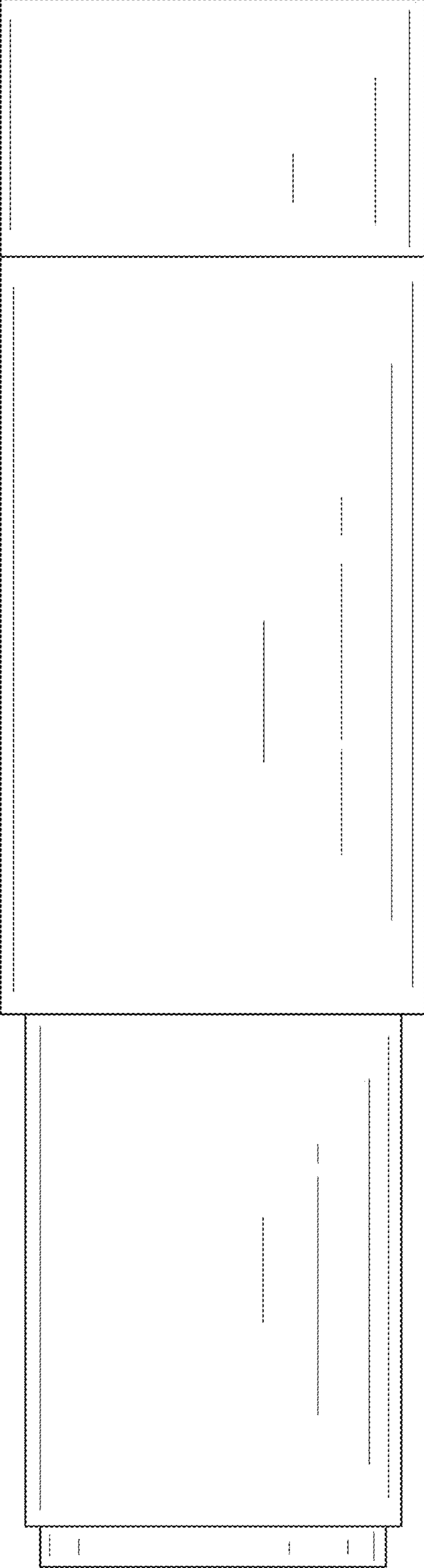


FIG. 3

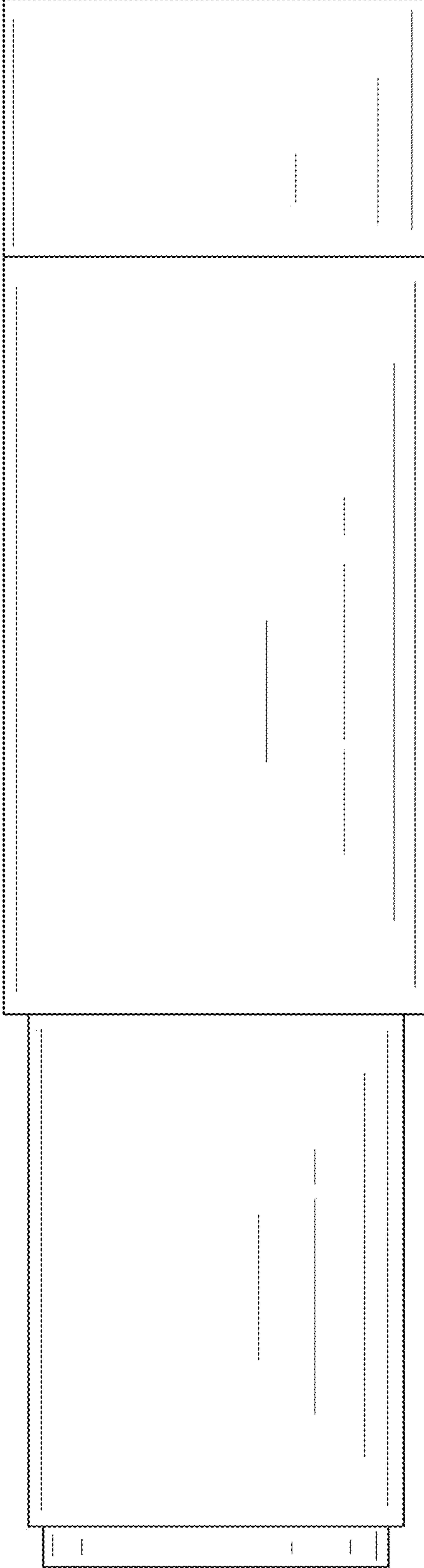


FIG. 4

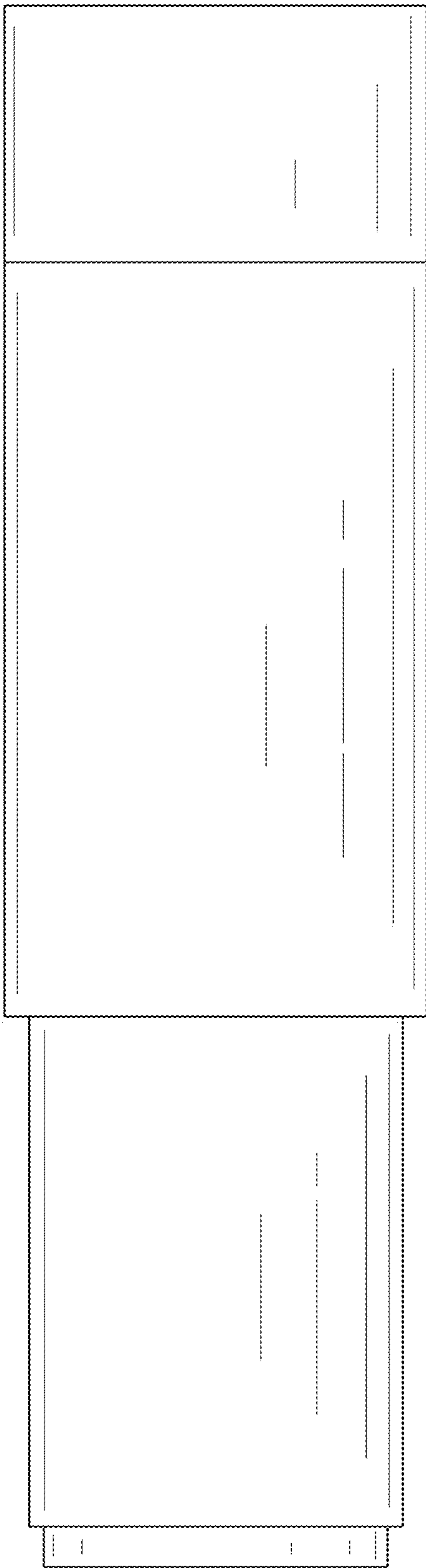


FIG. 5

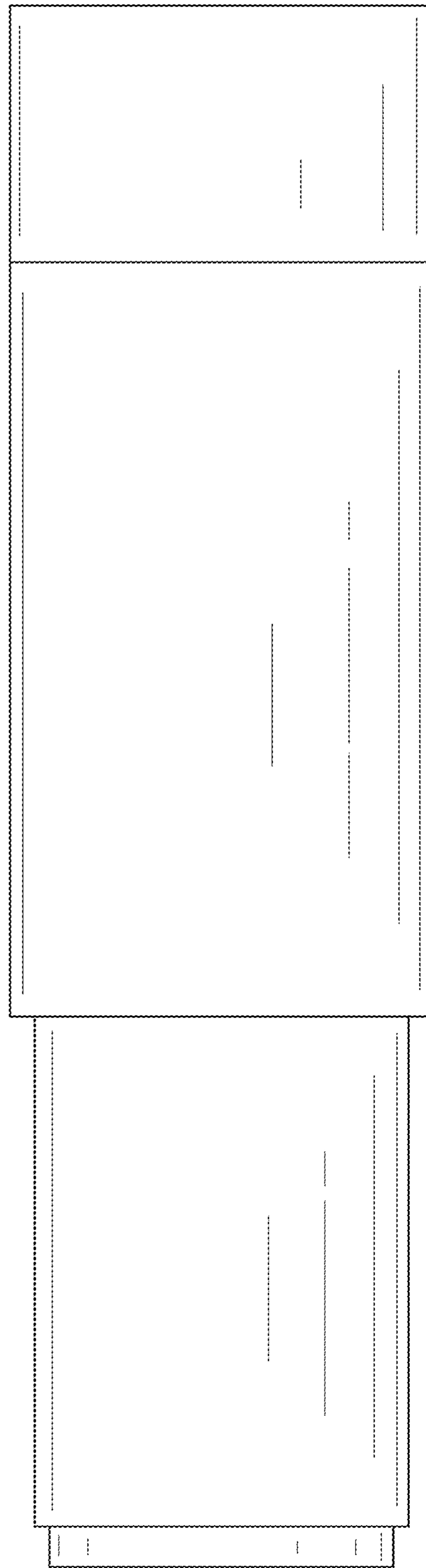


FIG. 6

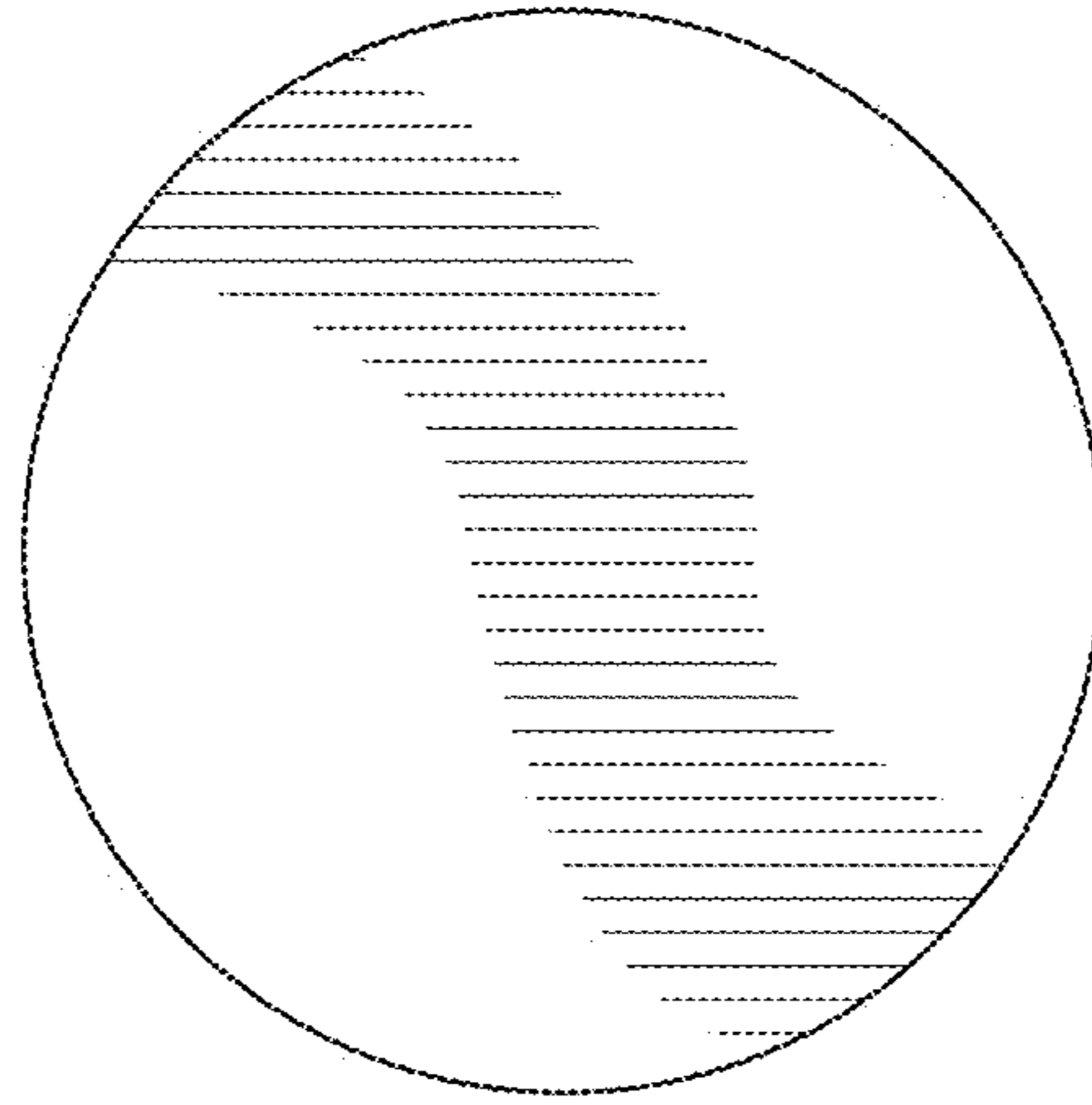


FIG. 7

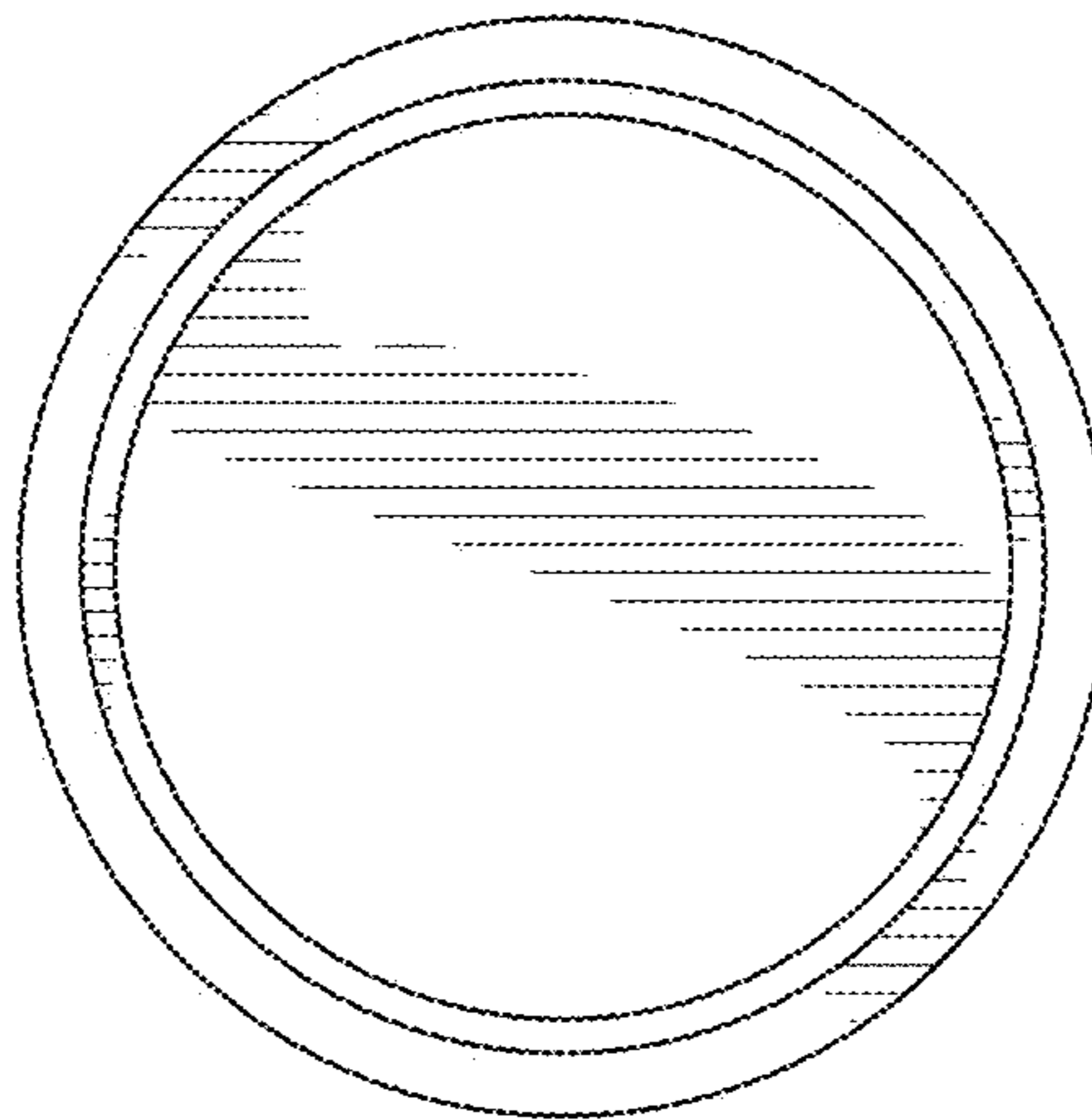


FIG. 8

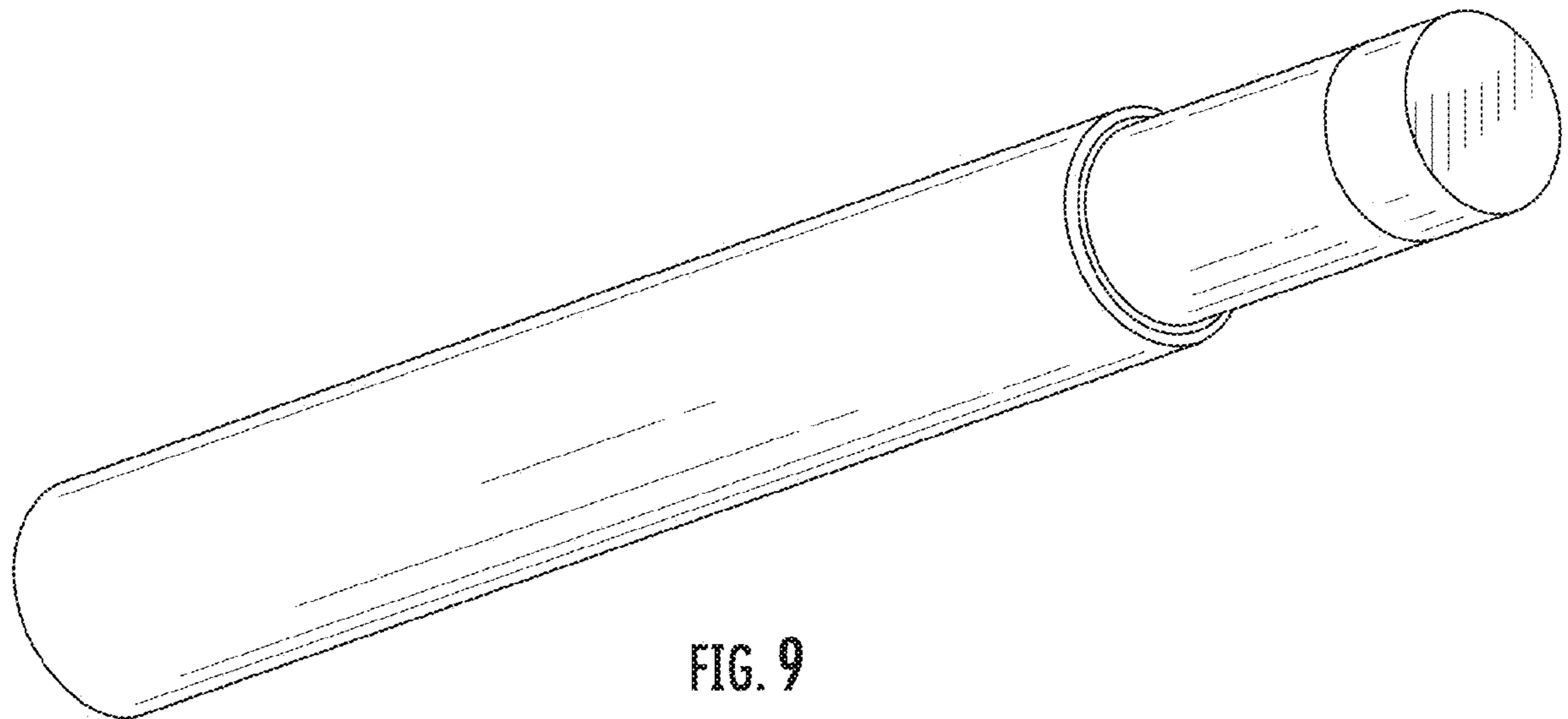


FIG. 9

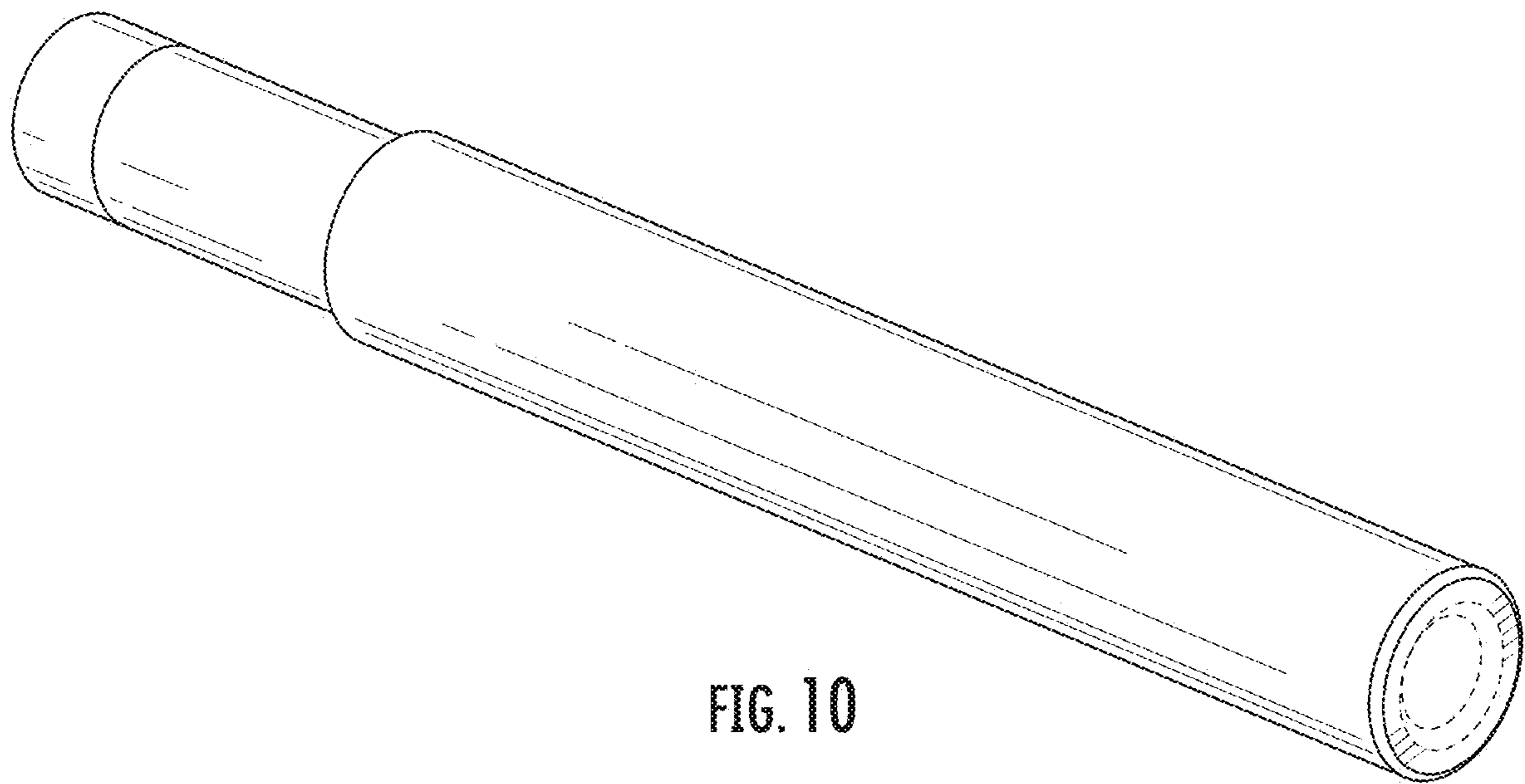


FIG. 10

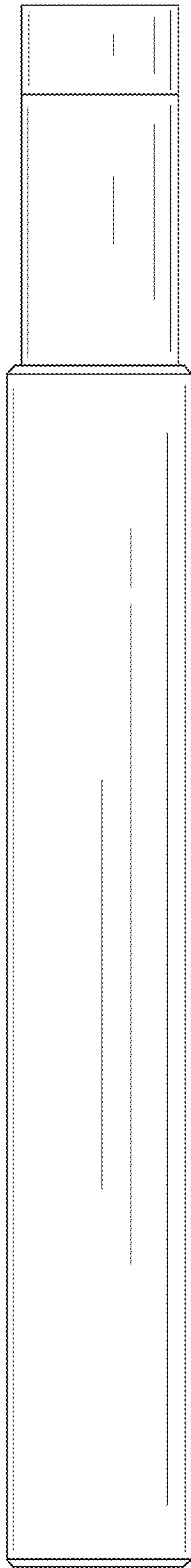


FIG. 11

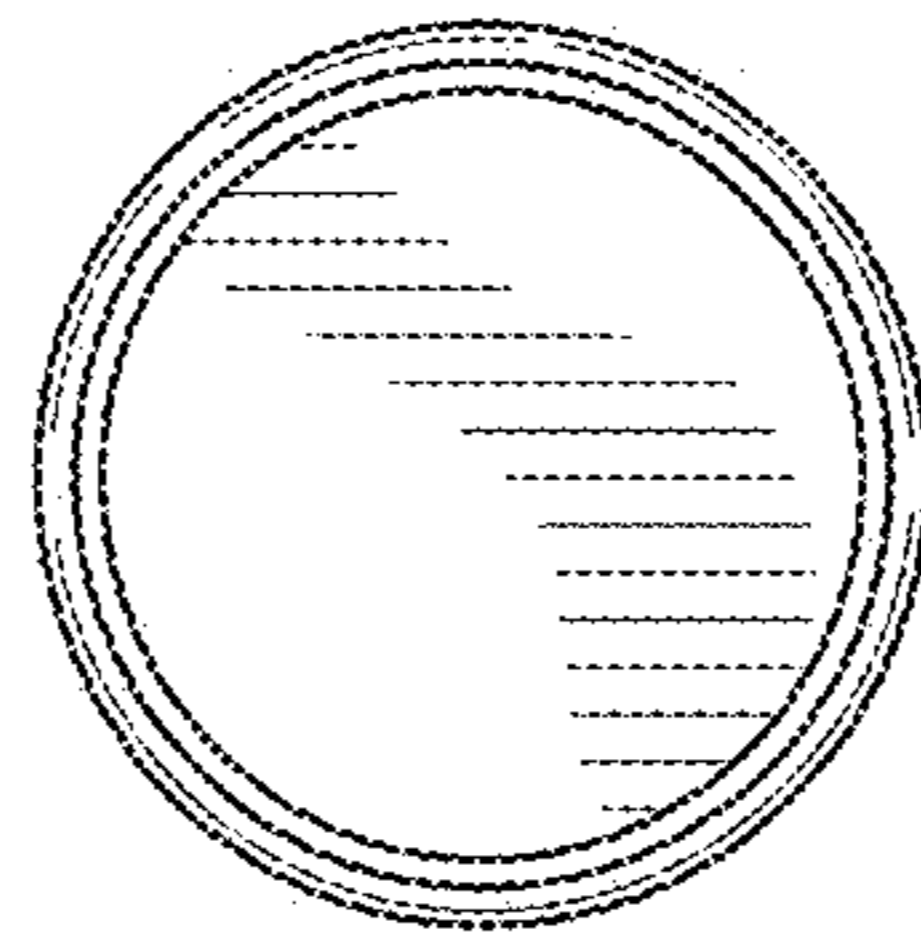


FIG. 12

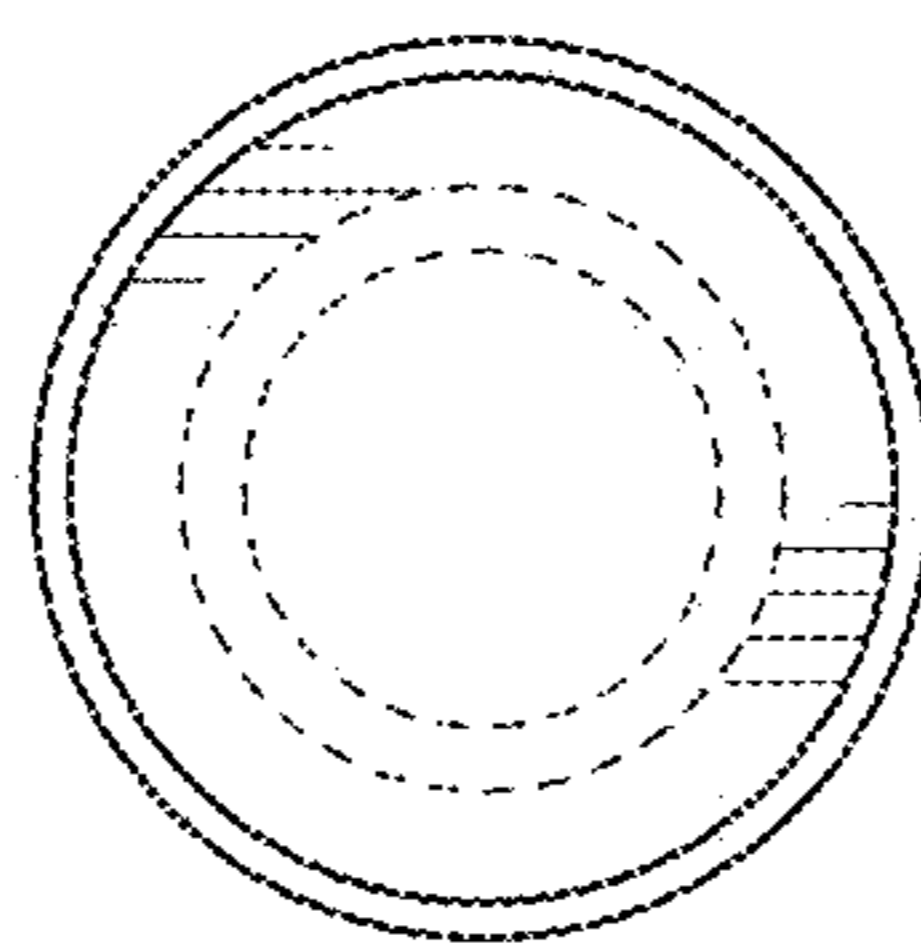


FIG. 13