



US00D943302S

(12) **United States Design Patent**
Zhai

(10) **Patent No.:** **US D943,302 S**

(45) **Date of Patent:** **** Feb. 15, 2022**

(54) **SODA CAN DISPENSER RACK**
(71) Applicant: **Qionge Zhai**, Yingshan (CN)
(72) Inventor: **Qionge Zhai**, Yingshan (CN)

(**) Term: **15 Years**

(21) Appl. No.: **29/766,769**

(22) Filed: **Jan. 19, 2021**

(51) **LOC (13) Cl.** **20-20**

(52) **U.S. Cl.**
USPC **D6/515**

(58) **Field of Classification Search**
USPC D6/512, 515, 517; D8/349, 363, 366,
D8/373, 380, 381; D15/79-91; D7/601,
D7/602, 701; 206/139, 515, 389;
211/13, 49.1, 59.2, 74, 86.01, 181, 182;
221/282-283; 222/173, 181.1
CPC A47F 1/087; A47F 1/04; A47F 1/08; A47F
7/28; A47F 1/082; A47F 1/12; A47F
7/281

See application file for complete search history.

(56) **References Cited**

U.S. PATENT DOCUMENTS

D185,660 S	7/1959	Crookes	
D342,420 S *	12/1993	Ienna	D6/515
D347,922 S *	6/1994	Trevaskis	D6/515
D369,708 S *	5/1996	Breen	D6/515
D380,113 S *	6/1997	Byrd	D6/515
D402,837 S *	12/1998	Boire	D6/515

D543,400 S *	5/2007	Ho	D6/515
D785,056 S *	4/2017	Lee	D15/89
D828,145 S *	9/2018	Le	D8/380
2016/0262554 A1 *	9/2016	Vitollo	A47F 7/28

OTHER PUBLICATIONS

Amazon.com, Simple Trending 2-Pack Soda Can Beverage Dispenser Rack, May 20, 2020, <https://www.amazon.com/Simple-Trending-Dispenser-Stackable-Refrigerator/dp/B088WMLJHC> (Year: 2020).*

* cited by examiner

Primary Examiner — Nathan M Johnston

(57) **CLAIM**

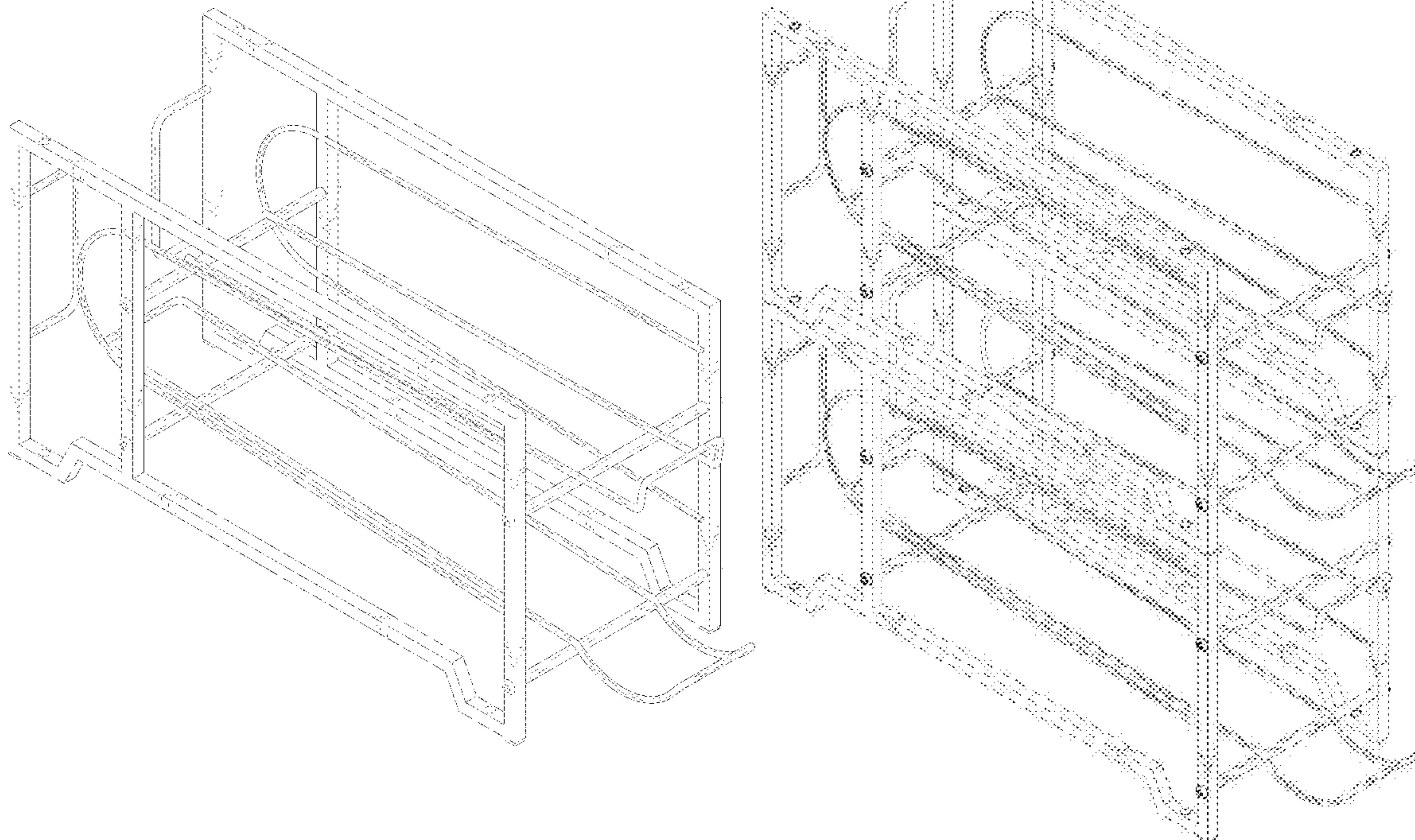
The ornamental design for a soda can dispenser rack, as shown and described.

DESCRIPTION

FIG. 1 is a perspective view of a soda can dispenser rack of a first embodiment showing my new design; FIG. 2 is a front view thereof; FIG. 3 is a back view thereof; FIG. 4 is a left side view thereof; FIG. 5 is a right side view thereof; FIG. 6 is a top view thereof; FIG. 7 is a bottom view thereof; and, FIG. 8 is a perspective of a second embodiment view thereof.

The broken lines shown in the figures represent portions of the soda can dispenser rack that form no part of the claimed design.

1 Claim, 8 Drawing Sheets



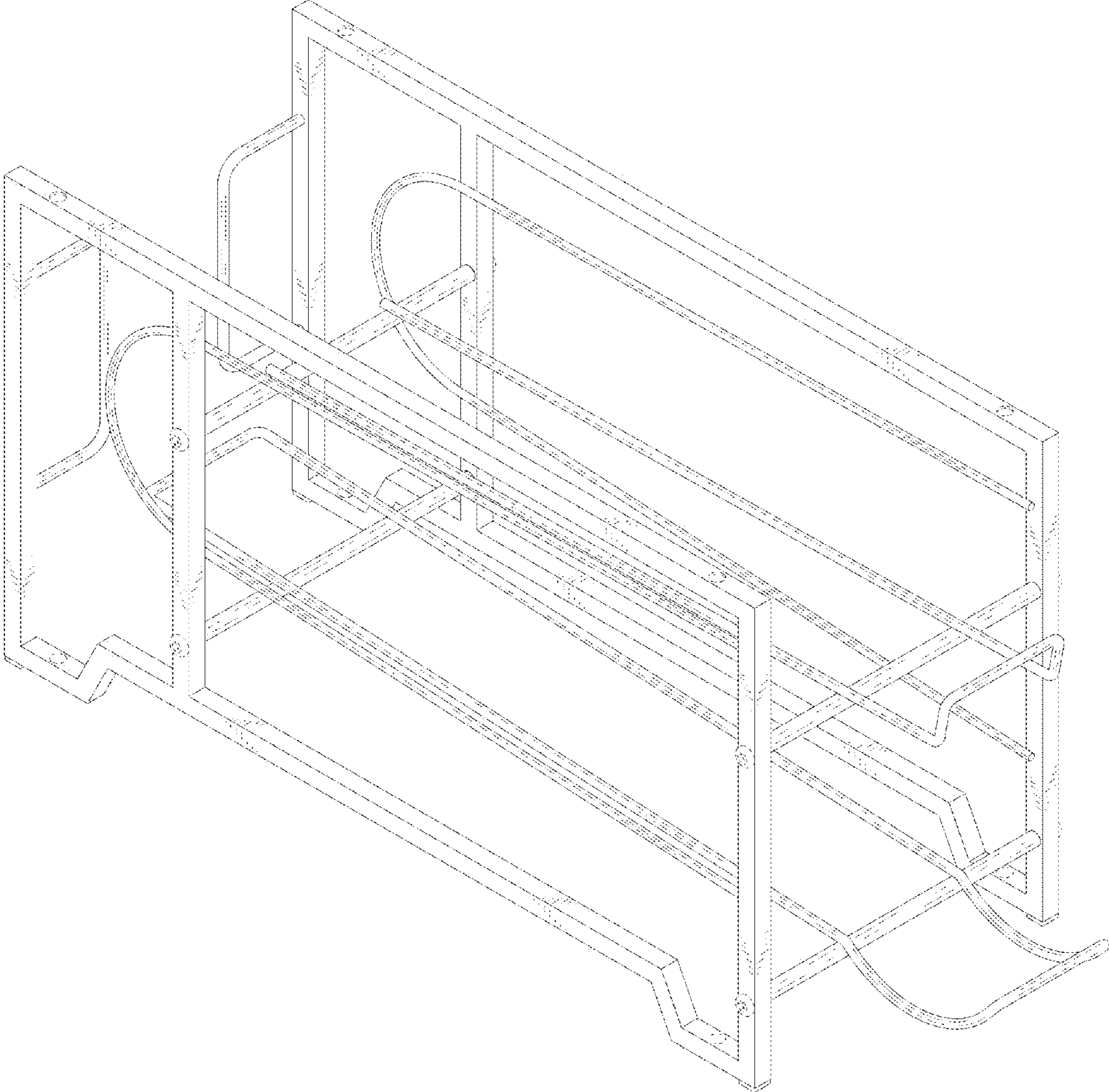


FIG.1

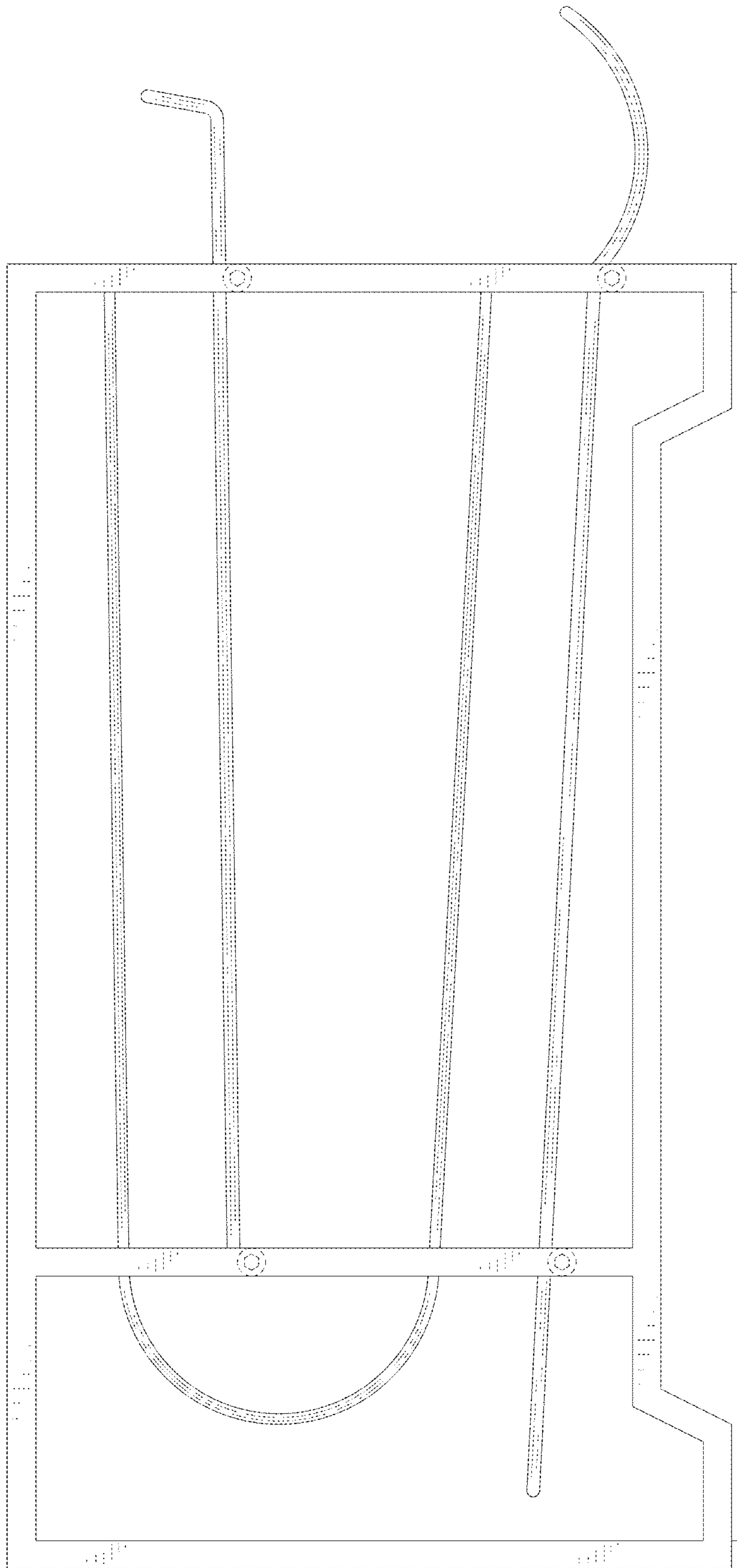


FIG. 2

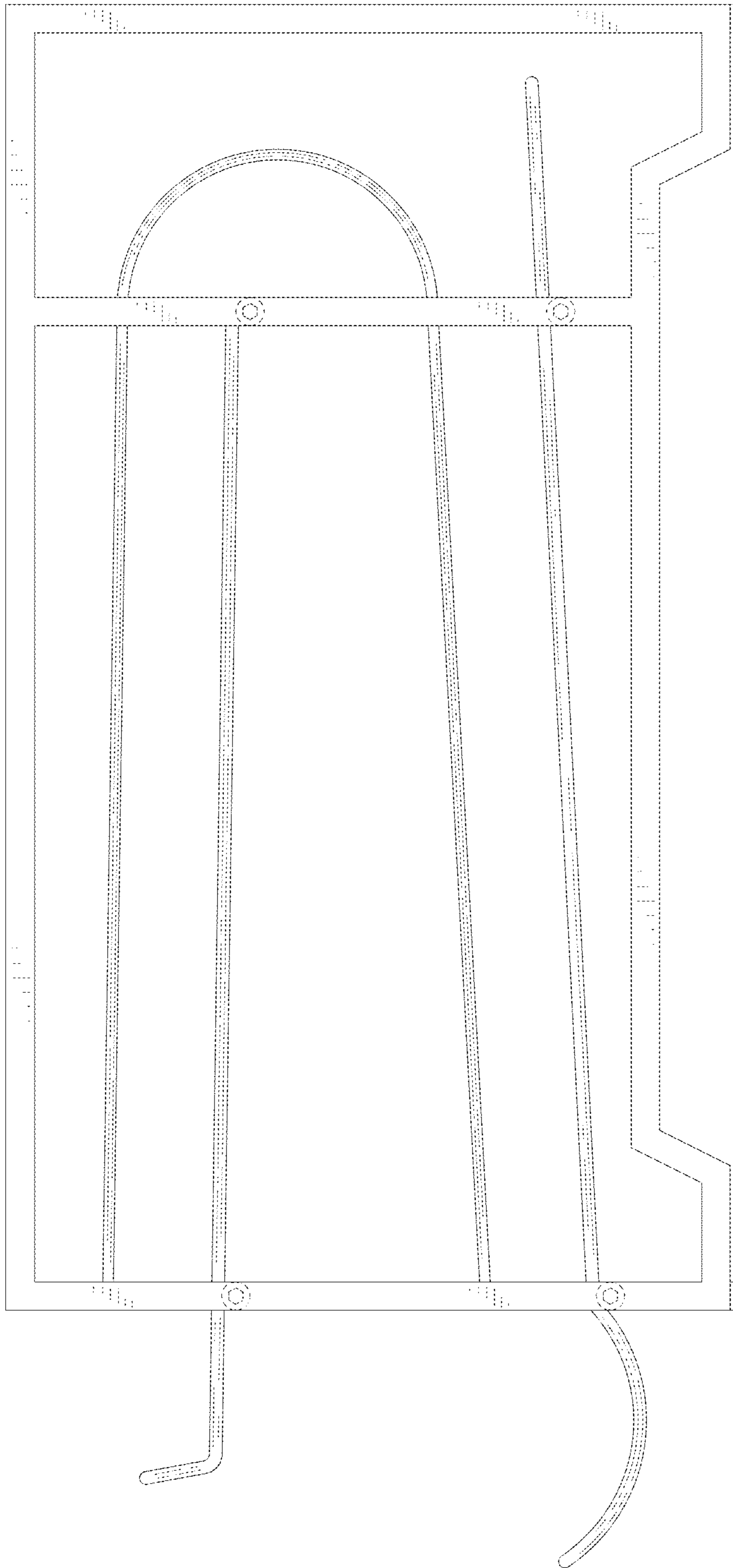


FIG. 3

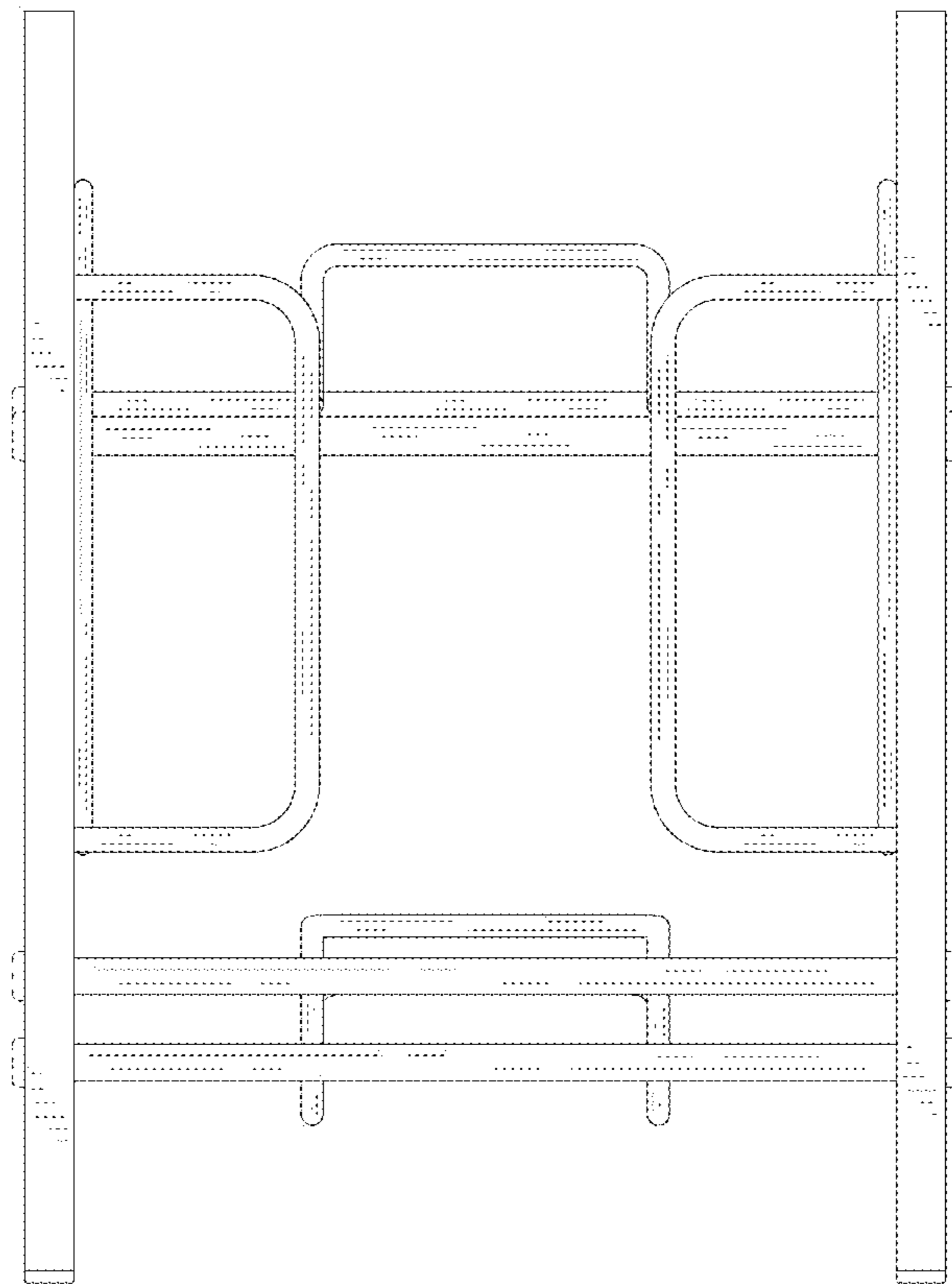


FIG. 4

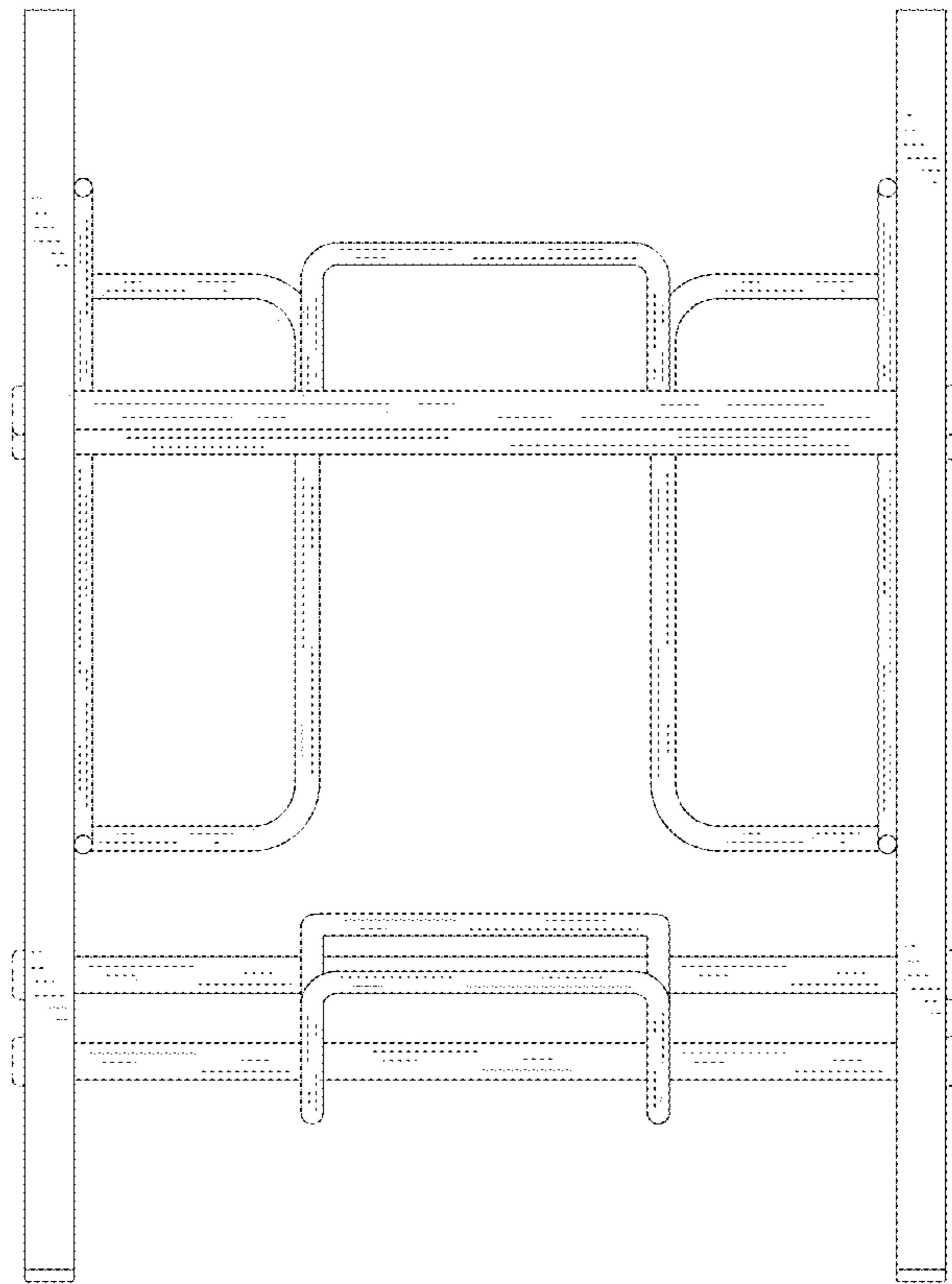


FIG. 5

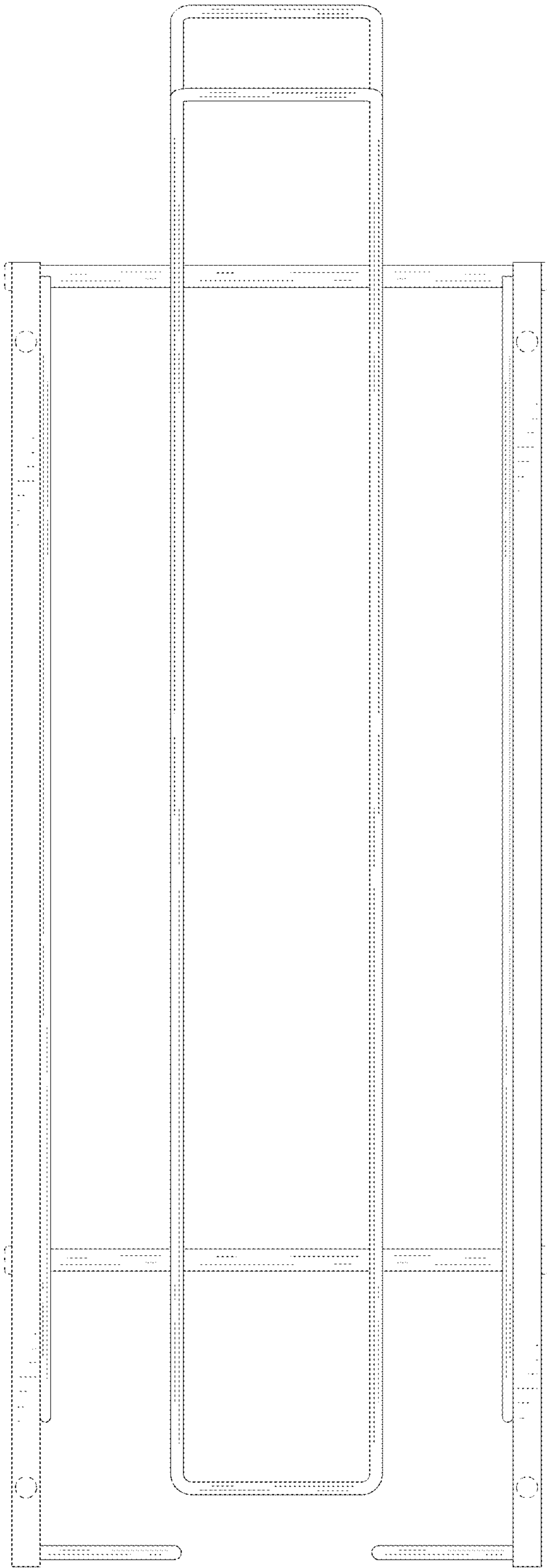


FIG. 6

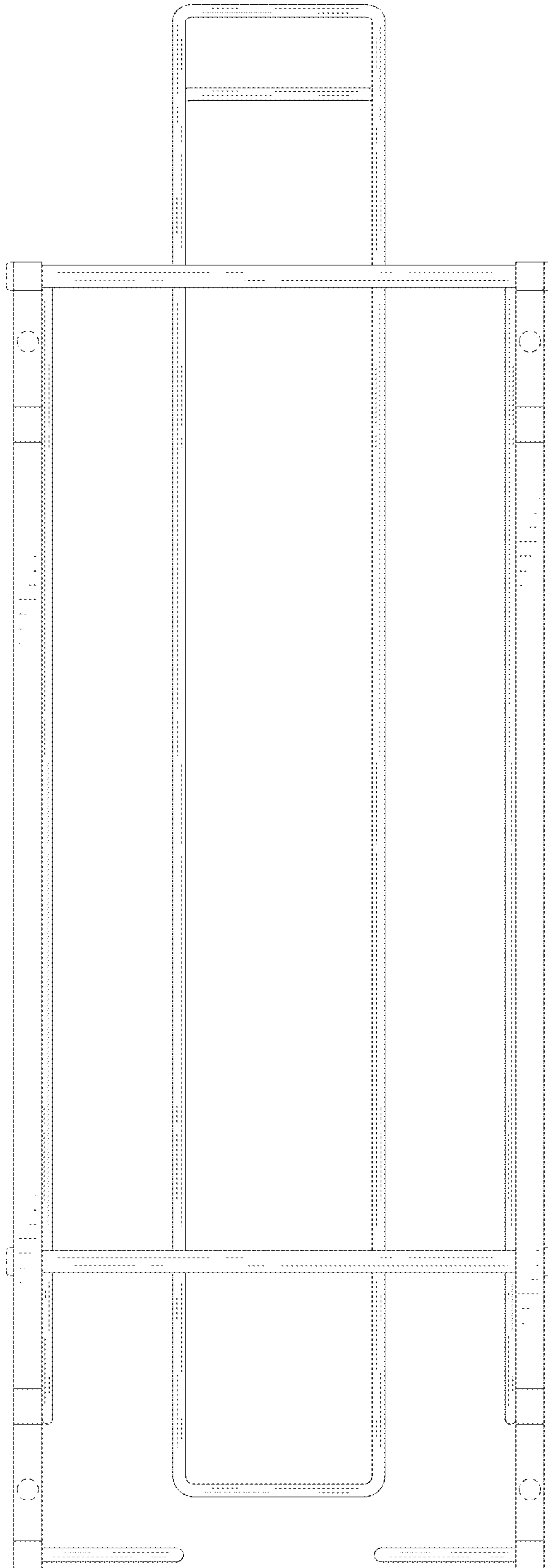


FIG. 7

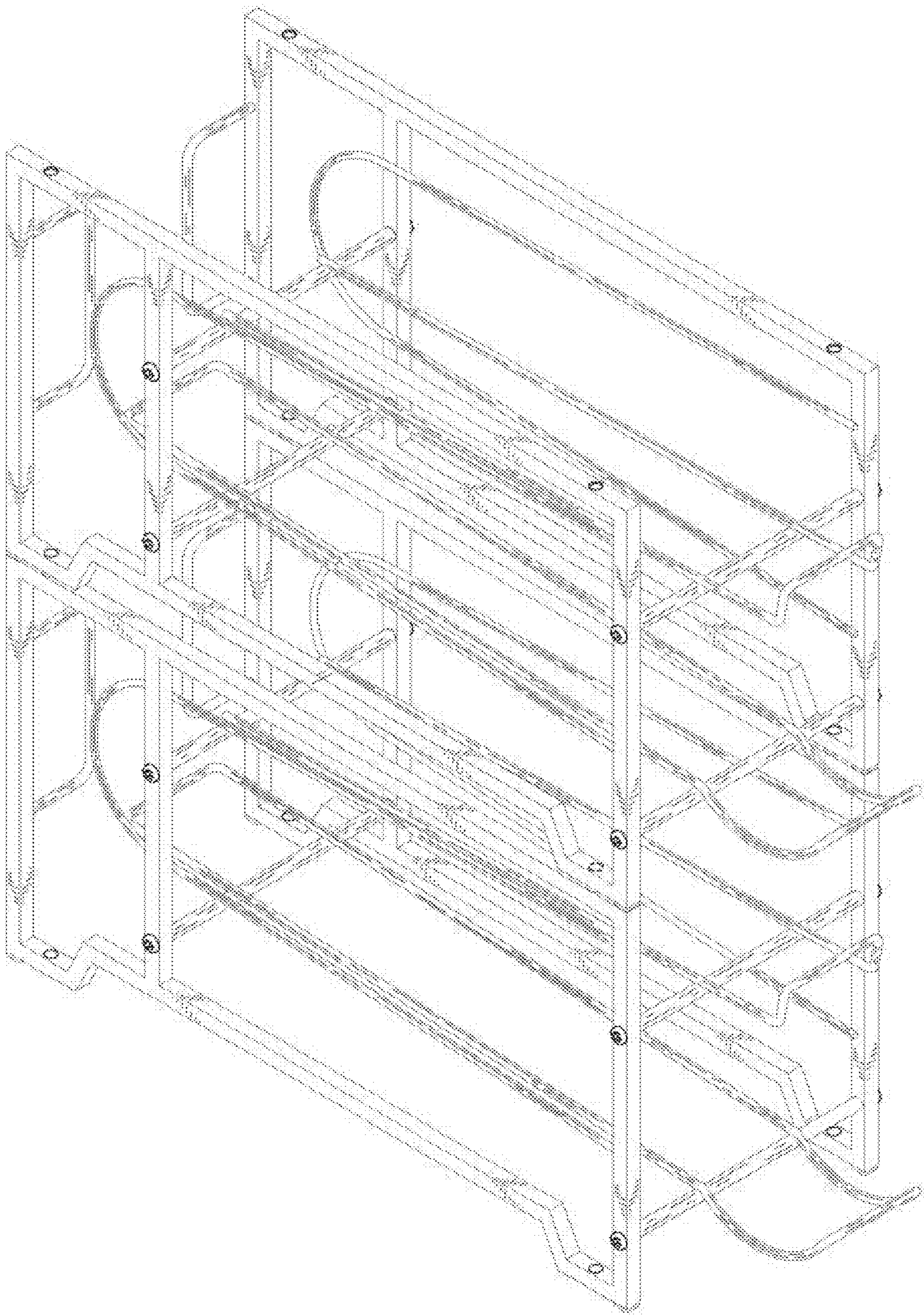


FIG.8