



US00D943301S

(12) **United States Design Patent**
Morand et al.

(10) **Patent No.:** **US D943,301 S**

(45) **Date of Patent:** **** Feb. 15, 2022**

(54) **FILM-DISPENSING CASSETTE FOR GARBAGE**

(71) Applicant: **INTERNATIONAL REFILLS COMPANY LTD.**, Christ Church (BB)

(72) Inventors: **Michel Morand**, Montreal (CA); **Hugo Moerman-Rousseau**, Montreal (CA)

(73) Assignee: **ANGELCARE CANADA INC.**

(**) Term: **15 Years**

(21) Appl. No.: **29/732,162**

(22) Filed: **Apr. 22, 2020**

(51) **LOC (13) Cl.** **06-06**

(52) **U.S. Cl.**
USPC **D6/515; D6/518**

(58) **Field of Classification Search**
USPC D6/512, 515, 513, 518, 519, 553;
D34/10; D15/145; D7/677, 554.1, 565,
(Continued)

(56) **References Cited**

U.S. PATENT DOCUMENTS

D190,713 S * 6/1961 Bliss D7/677
D335,989 S * 6/1993 Van Hise D6/512
(Continued)

FOREIGN PATENT DOCUMENTS

CN 305370969 * 10/2019
EM 008210470-0001 * 11/2020
(Continued)

OTHER PUBLICATIONS

Mom's Aide Diaper Pail Refill. Mom's Aide (online) 5 pgs. Available Oct. 14, 2020 based on reviews. [Retrieved Dec. 13, 2021] https://www.alibaba.com/product-detail/MOM-S-AIDE--Diaper-Pail_1600094314853.html (Year: 2020).*

Primary Examiner — Marie D. Fast Horse
Assistant Examiner — Jennifer Sierra Yosinski

(74) *Attorney, Agent, or Firm* — Norton Rose Fulbright Canada LLP

(57) **CLAIM**

We claim the ornamental design for a film-dispensing cassette for garbage, as shown and described.

DESCRIPTION

FIG. 1 is a top perspective view of a film-dispensing cassette for garbage in accordance with a first embodiment; FIG. 2 is a bottom perspective view of the film-dispensing cassette for garbage of FIG. 1; FIG. 3 is a top view of the film-dispensing cassette for garbage of FIG. 1; FIG. 4 is a bottom view of the film-dispensing cassette for garbage of FIG. 1; FIG. 5 is a left-side view of the film-dispensing cassette for garbage of FIG. 1, a right-side view being a mirror image thereof; FIG. 6 is a rear view of the film-dispensing cassette for garbage of FIG. 1; FIG. 7 is a front view of the film-dispensing cassette for garbage of FIG. 1; FIG. 8 is a top perspective view of a film-dispensing cassette for garbage in accordance with a second embodiment; FIG. 9 is a bottom perspective view of the film-dispensing cassette for garbage of FIG. 8; FIG. 10 is a top view of the film-dispensing cassette for garbage of FIG. 8; FIG. 11 is a bottom view of the film-dispensing cassette for garbage of FIG. 8; FIG. 12 is a left-side view of the film-dispensing cassette for garbage of FIG. 8, a right-side view being a mirror image thereof; FIG. 13 is a rear view of the film-dispensing cassette for garbage of FIG. 8; FIG. 14 is a front view of the film-dispensing cassette for garbage of FIG. 8; FIG. 15 is a top perspective view of a film-dispensing cassette for garbage in accordance with a third embodiment; FIG. 16 is a bottom perspective view of the film-dispensing cassette for garbage of FIG. 15;

(Continued)

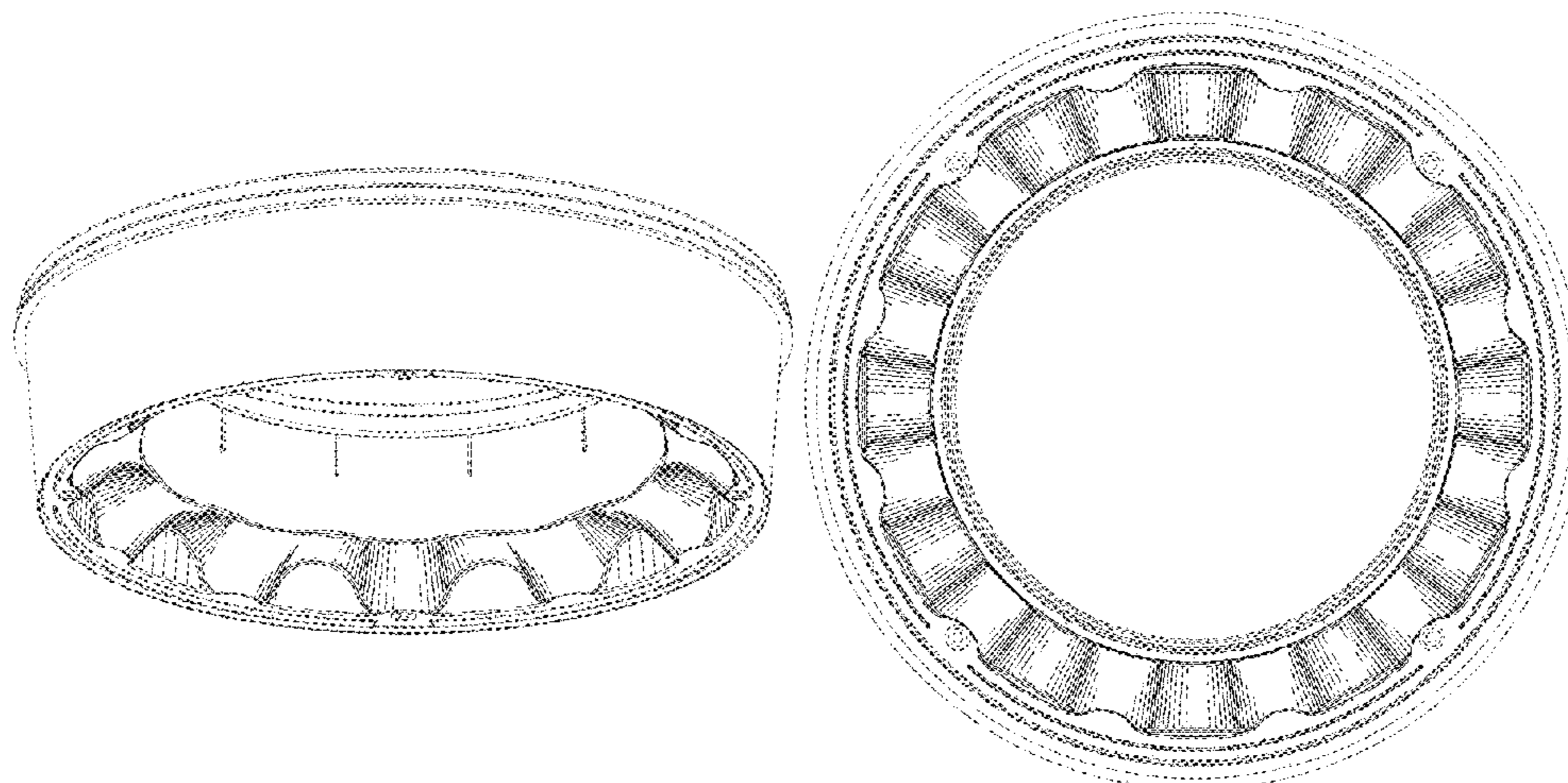


FIG. 17 is a top view of the film-dispensing cassette for garbage of FIG. 15;
 FIG. 18 is a bottom view of the film-dispensing cassette for garbage of FIG. 15;
 FIG. 19 is a left-side view of the film-dispensing cassette for garbage of FIG. 15, a right-side view being a mirror image thereof;
 FIG. 20 is a rear view of the film-dispensing cassette for garbage of FIG. 15; and,
 FIG. 21 is a front view of the film-dispensing cassette for garbage of FIG. 15.
 The broken lines depict portions of the film-dispensing cassette for garbage that form no part of the claimed design. Surface shading lines have been added to illustrate the curvatures in the underside of the film-dispensing cassette for garbage.

1 Claim, 21 Drawing Sheets

(58) **Field of Classification Search**

USPC D7/566, 568, 584, 615, 630; D14/475, D14/483, 484; 248/95, 99; 220/495.01, 220/495.04, 495.05, 495.06
 CPC E01H 2001/124; E01H 2001/1286; E01H 1/1206; E01H 2001/128; B65F 1/00; B65B 67/00; B65B 67/04

See application file for complete search history.

(56) **References Cited**

U.S. PATENT DOCUMENTS

D411,993 S * 7/1999 Lee D14/484
 D461,686 S * 8/2002 Ping Liu D7/554.1

D661,527 S * 6/2012 Morand D6/515
 D664,386 S * 7/2012 Ohnishi D6/515
 D695,541 S * 12/2013 Dunn B65F 1/062
 D700,788 S * 3/2014 Morand D6/515
 D705,567 S * 5/2014 Morand D6/515
 D705,568 S * 5/2014 Morand D6/515
 D706,055 S * 6/2014 Morand D6/515
 D788,537 S * 6/2017 Knutson D7/584
 D789,151 S * 6/2017 Knutson D7/584
 D795,606 S * 8/2017 Cudworth D6/515
 D802,326 S * 11/2017 Beaver D6/515
 D808,680 S * 1/2018 Dunn D6/515
 10,053,282 B2 * 8/2018 Dunn B65F 1/0006
 D891,811 S * 8/2020 Cheung D6/515
 D904,067 S * 12/2020 Yang D6/515
 D916,484 S * 4/2021 Yang D6/515
 D920,710 S * 6/2021 Cheung D6/515
 D931,008 S * 9/2021 Morand D6/515
 2008/0272140 A1 * 11/2008 Mowers B65F 1/062
 2009/0100806 A1 * 4/2009 Morand B65F 1/16
 2011/0309082 A1 * 12/2011 Morand B65F 1/163
 2012/0091295 A1 * 4/2012 Morand B65F 1/065
 2018/0362250 A1 * 12/2018 Morand B65F 1/062

FOREIGN PATENT DOCUMENTS

EM 008210470-0002 * 11/2020
 EM 008210470-0003 * 11/2020
 GB 9008210470-0001 * 10/2020
 GB 9008210470-0002 * 10/2020
 GB 9008210470-0003 * 10/2020

* cited by examiner

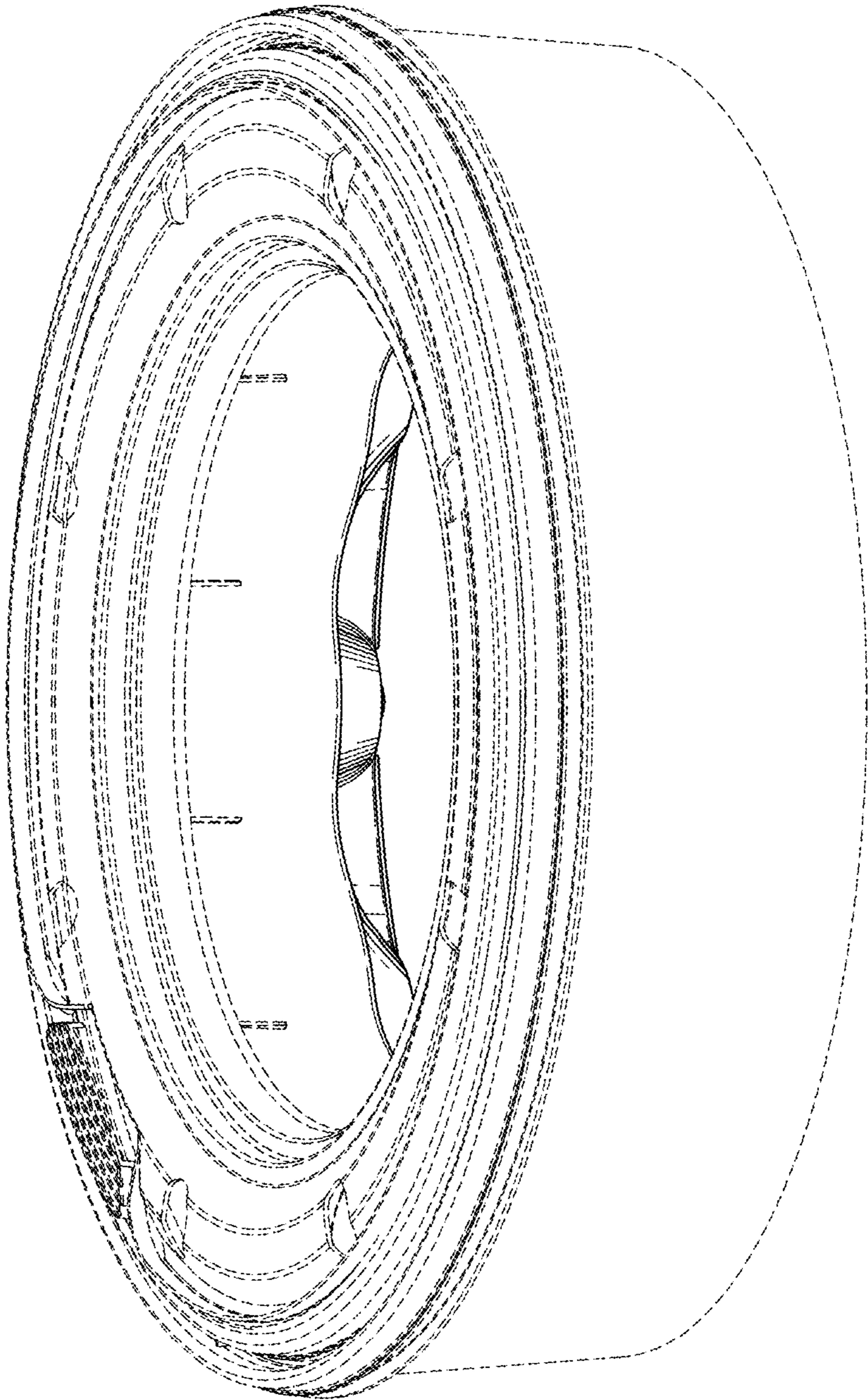


FIG. 1

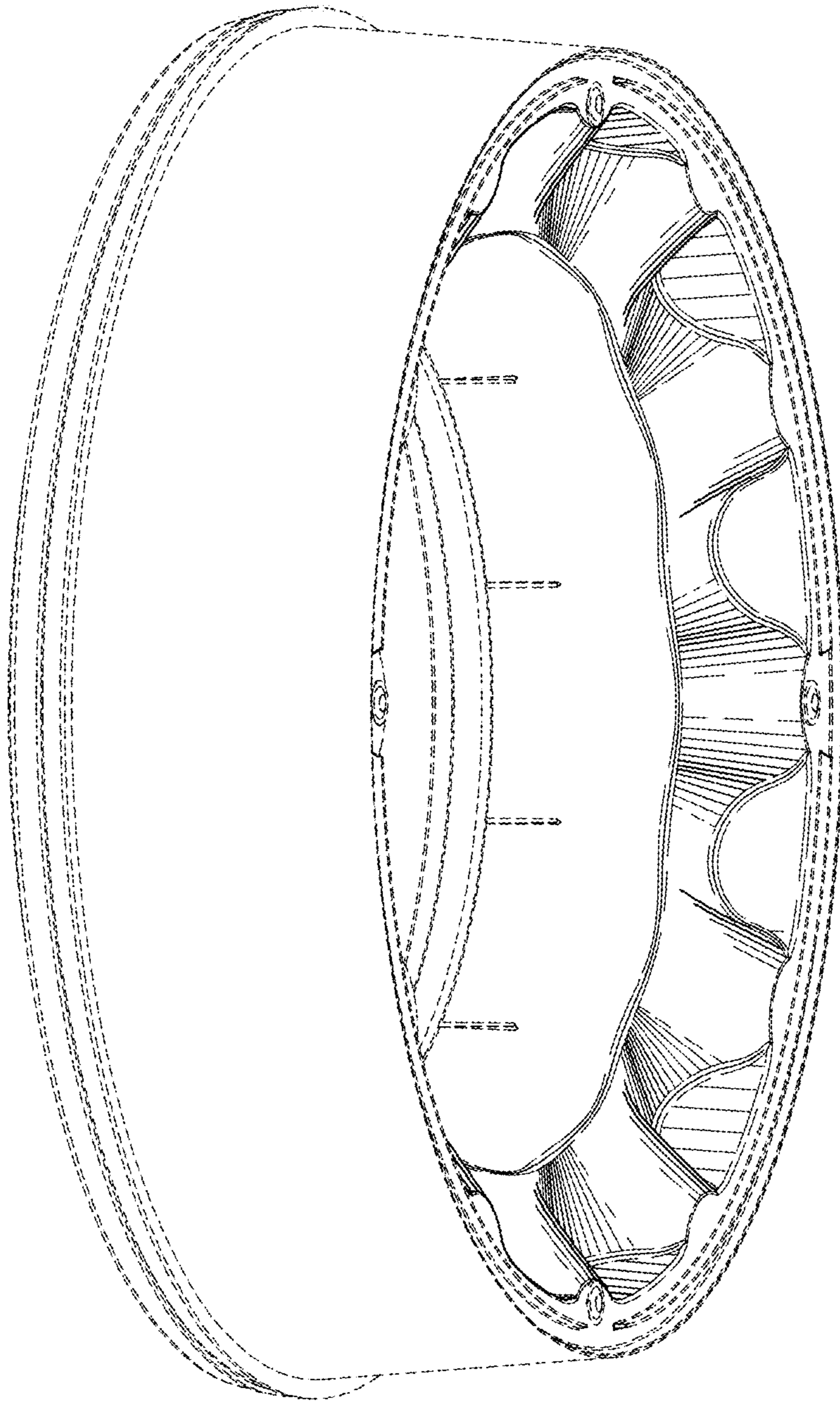


FIG. 2

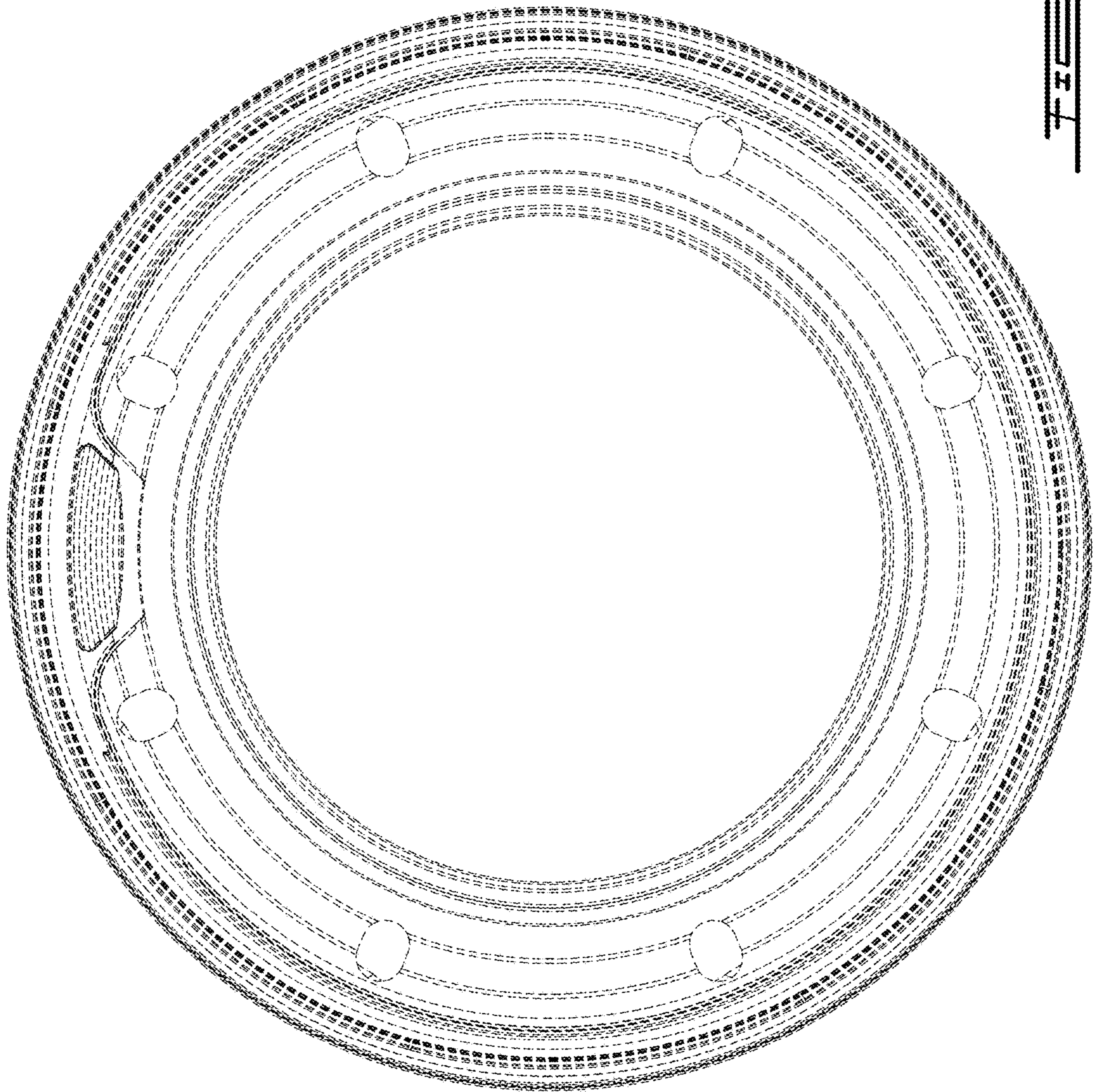


FIG. 3

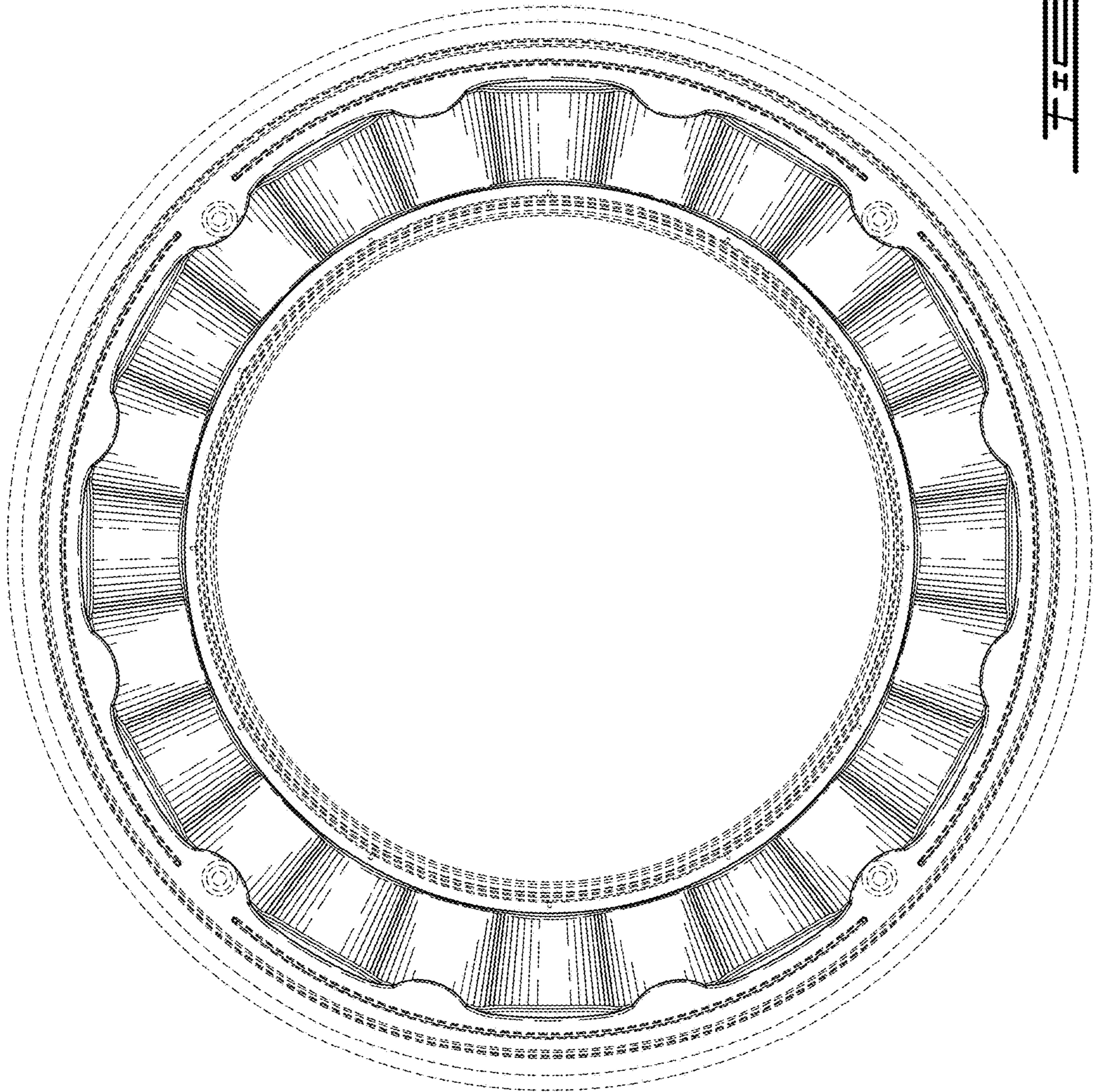


FIG. 4

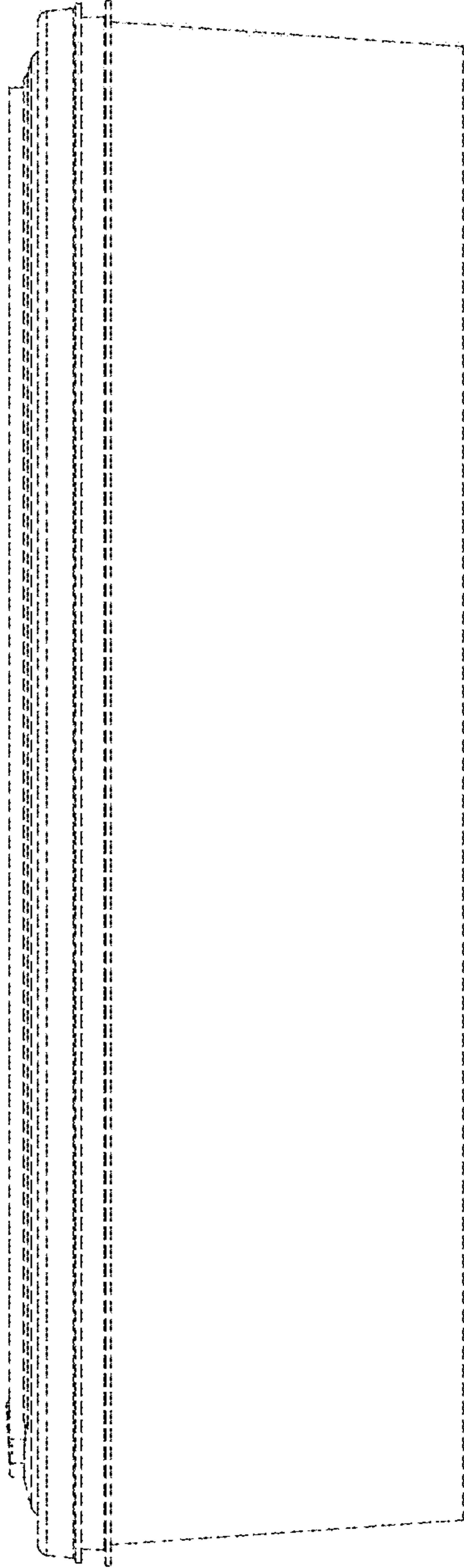


FIG. 5

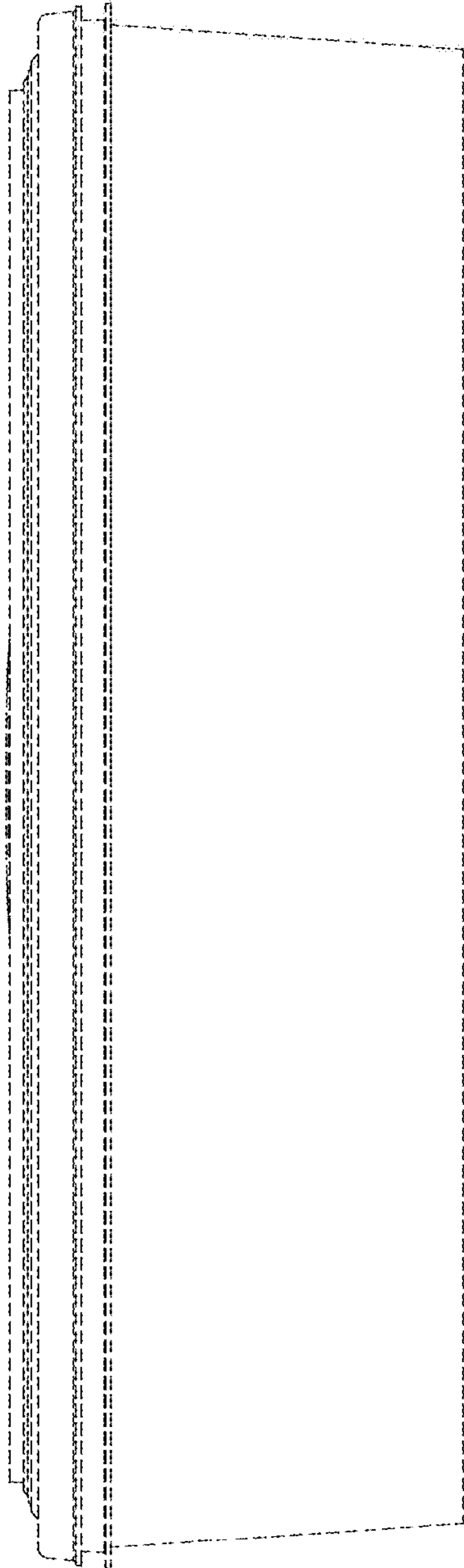


FIG. 6



FIG. 7

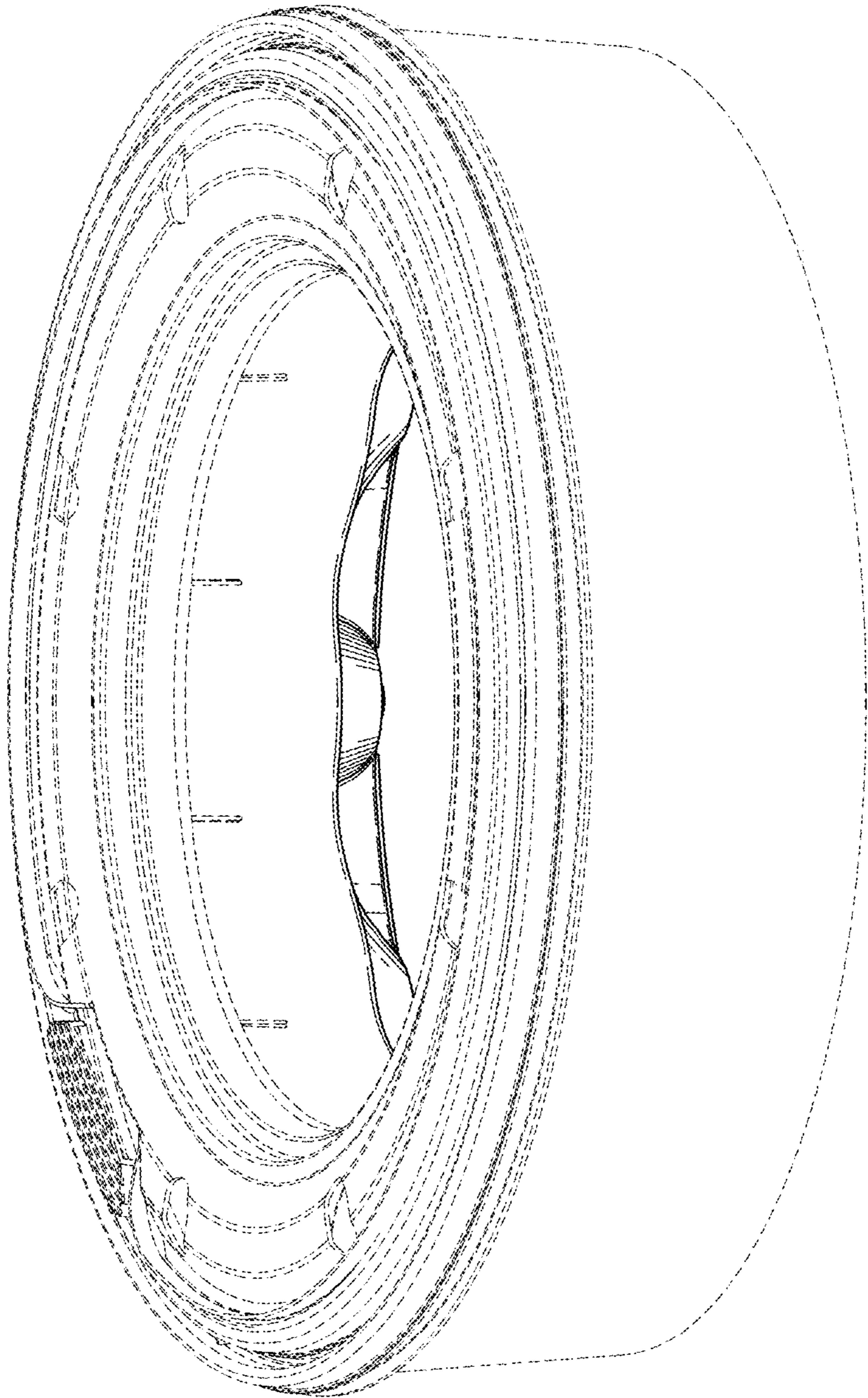


FIG. 8

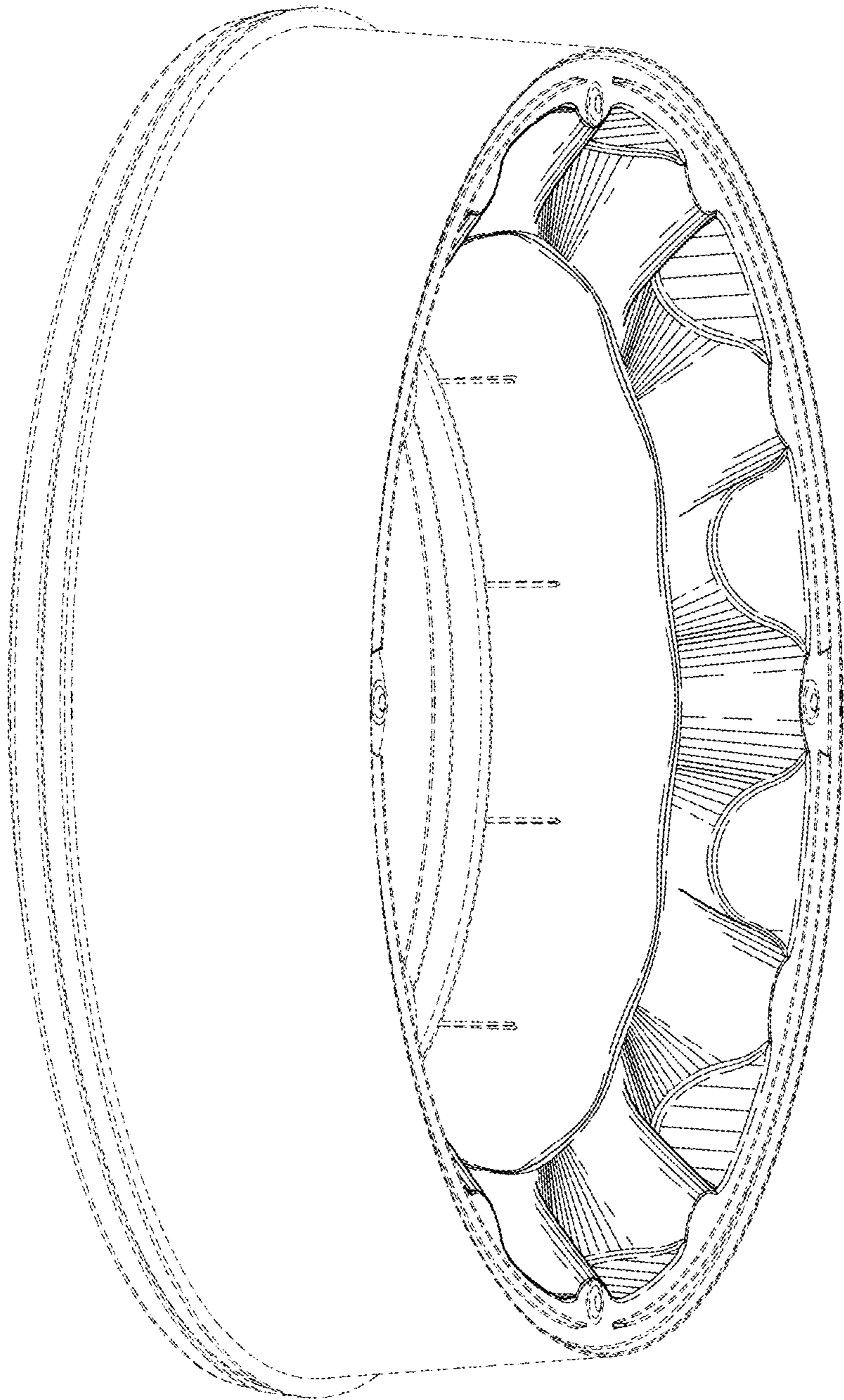


FIG. 9



FIG. 10

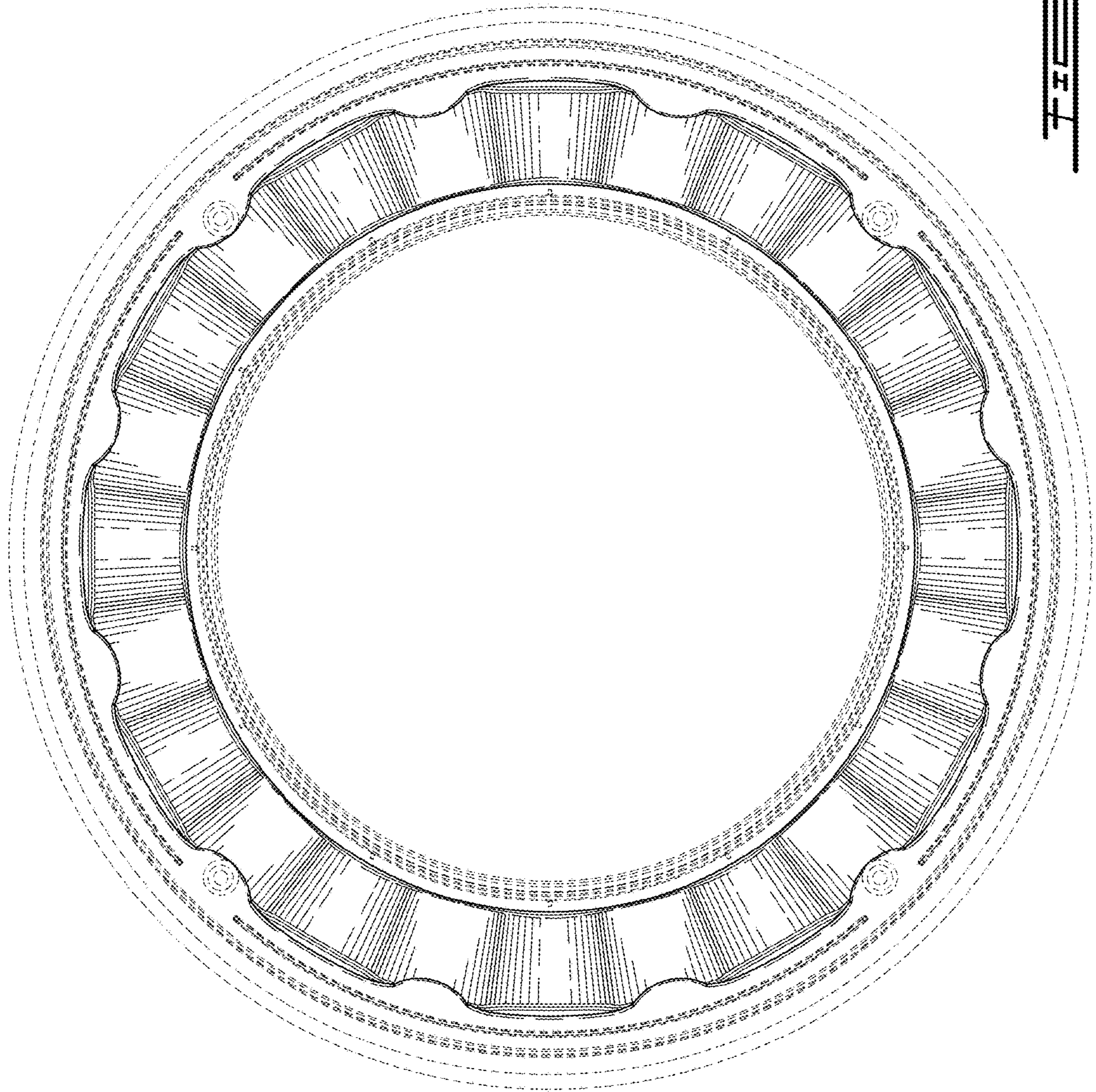


FIG. 11

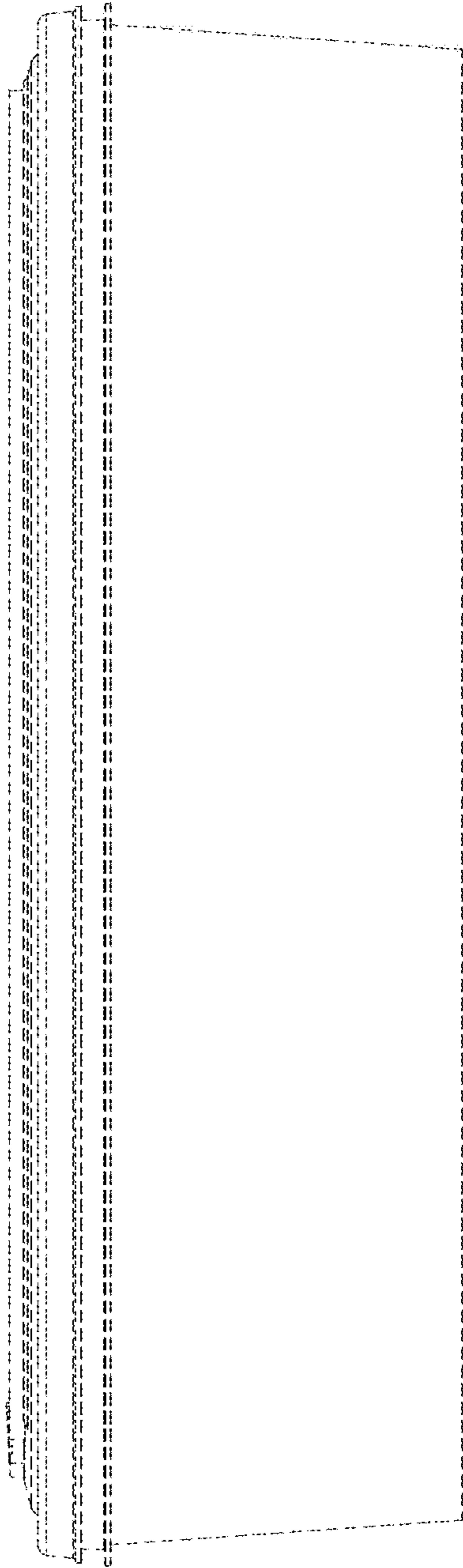


FIG. 12

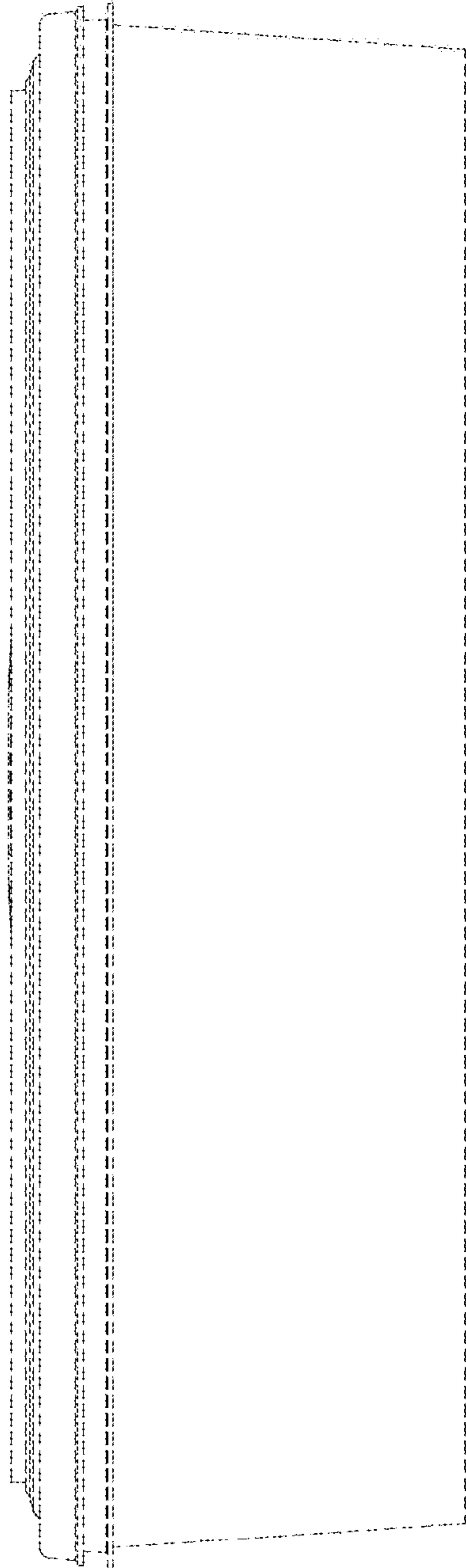


FIG. 13



FIG. 14

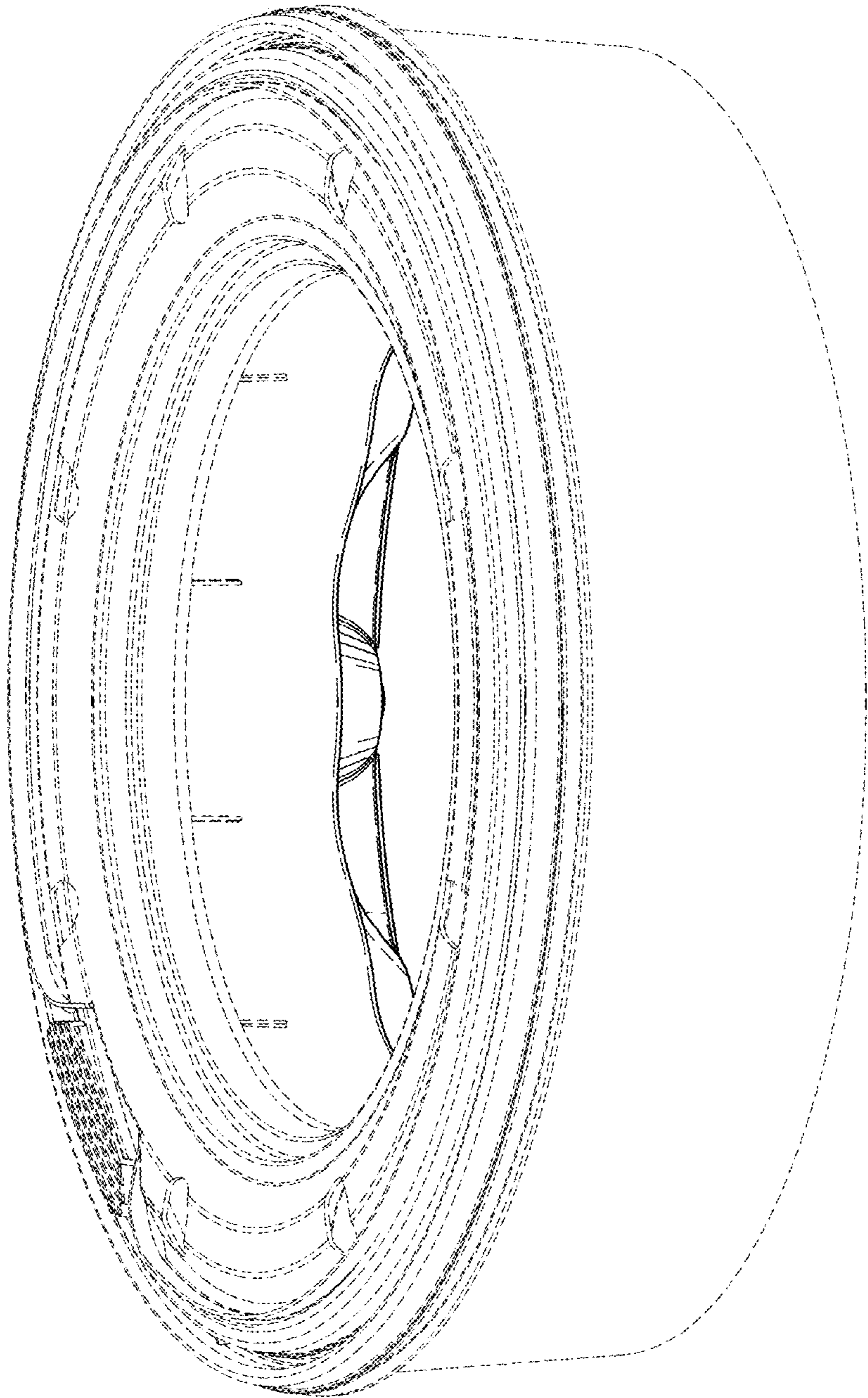


FIG. 15

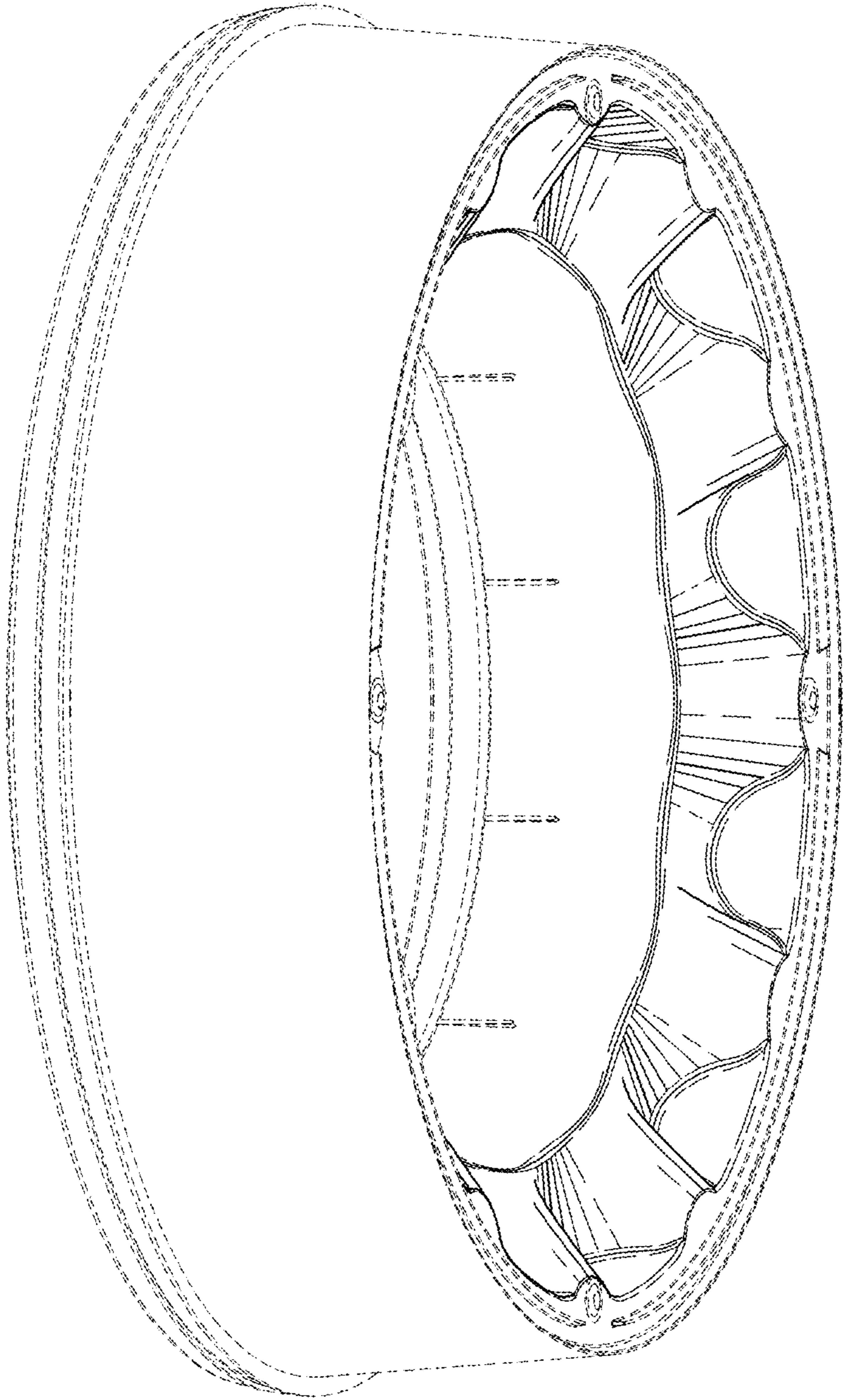


FIG. 16

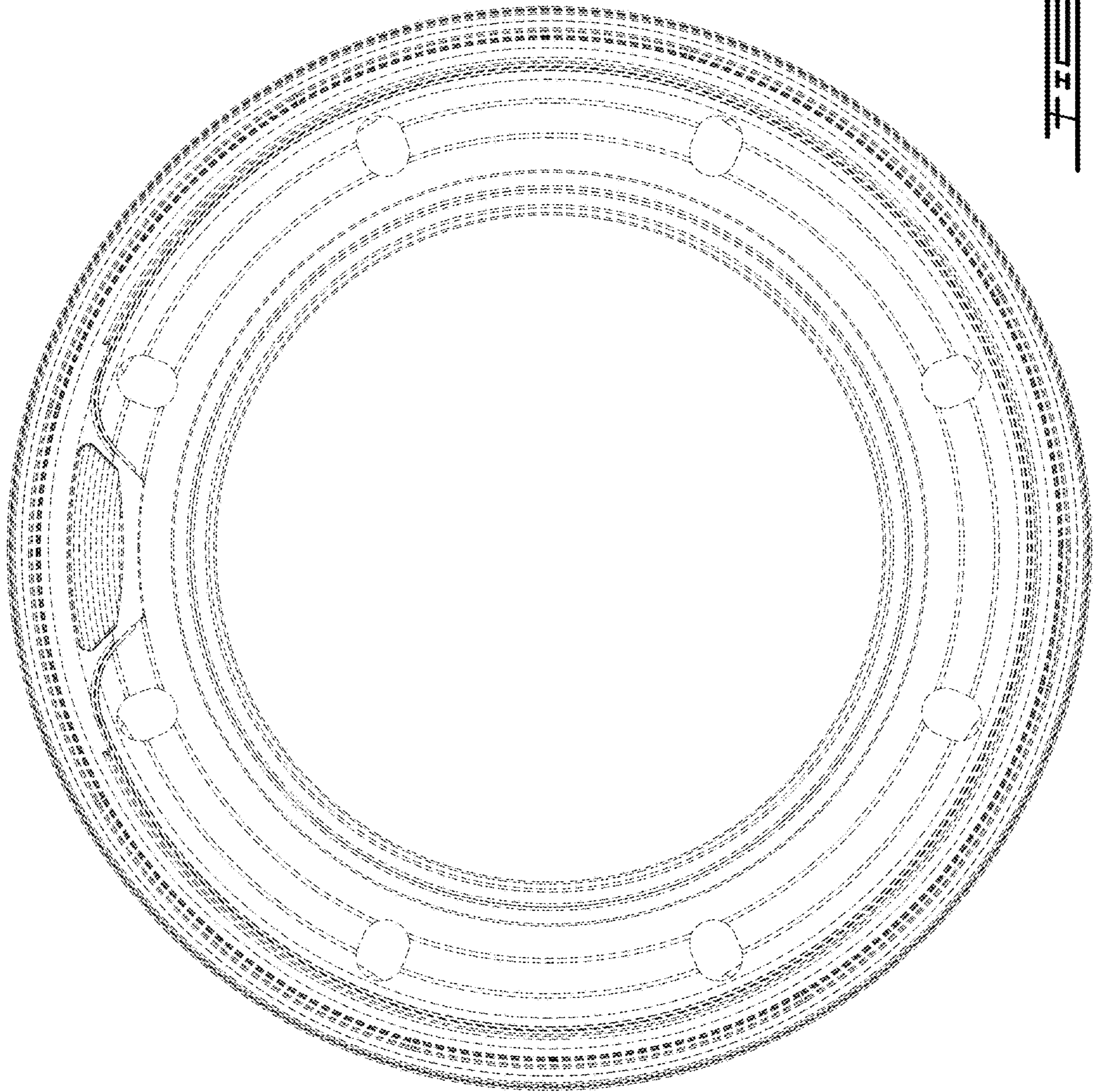


FIG. 17

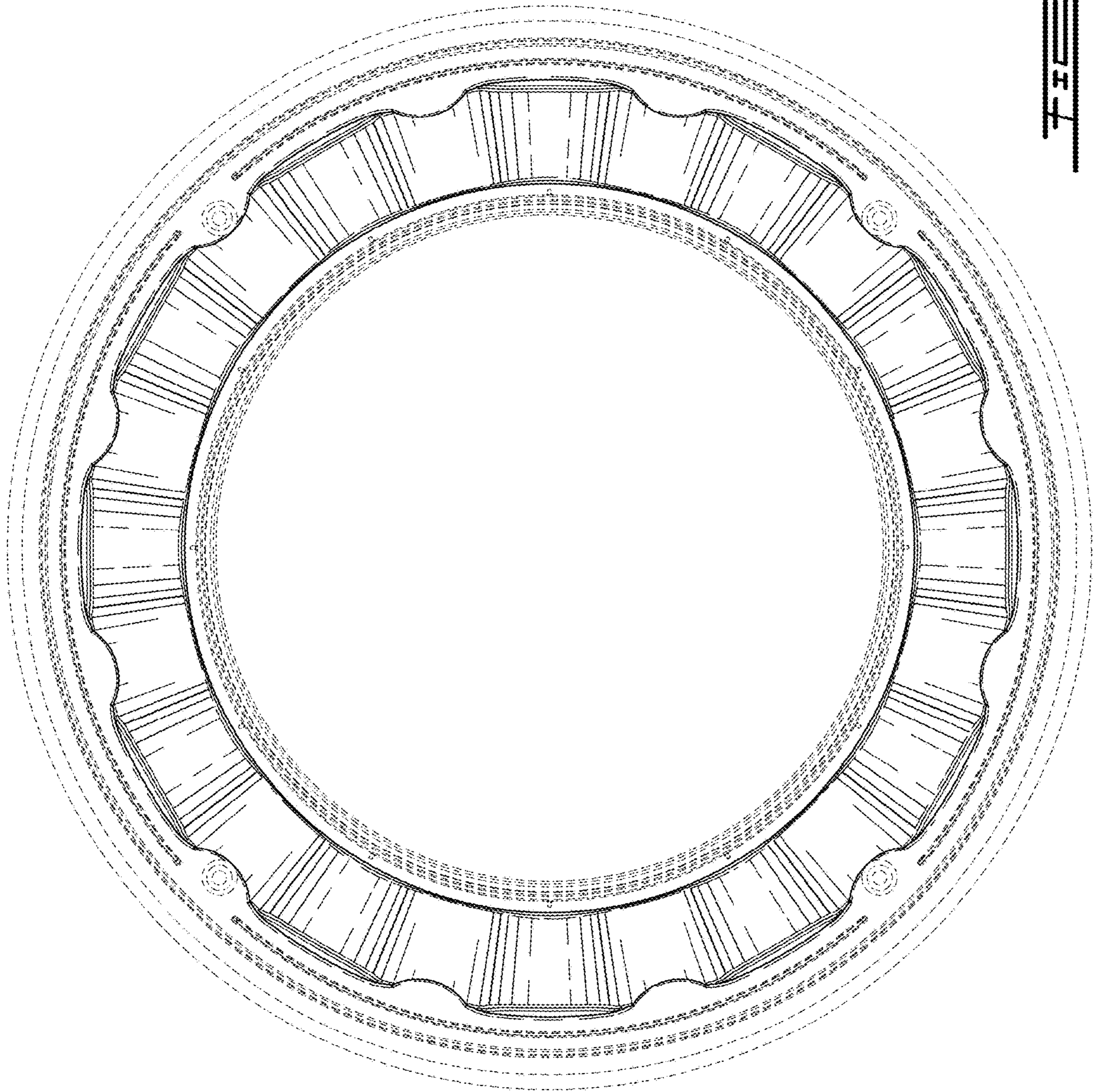


FIG. 18

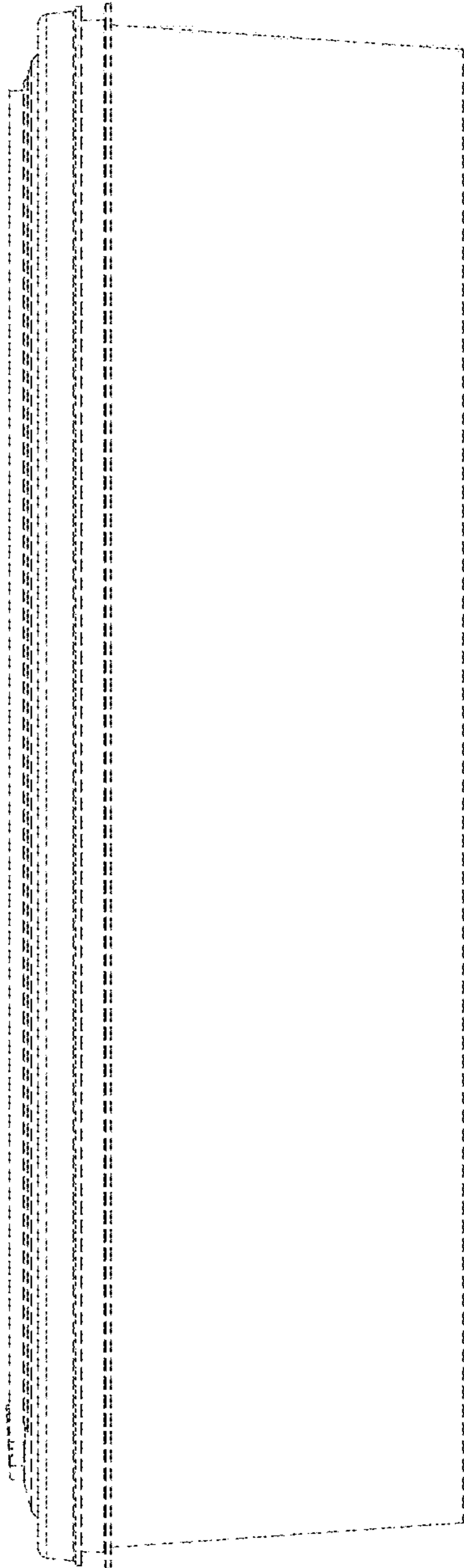


FIG. 19

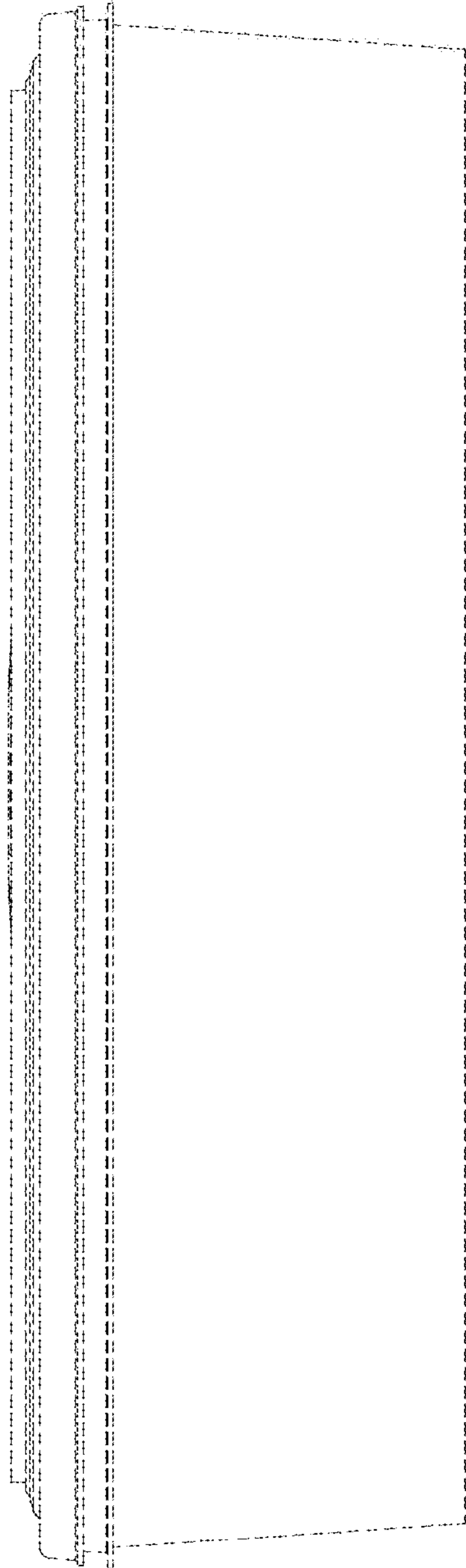


FIG. 20



FIG. 21