

US00D943298S

(12) **United States Design Patent** (10) **Patent No.:** **US D943,298 S**  
**Abadie** (45) **Date of Patent:** **\*\* Feb. 15, 2022**

(54) **SEATING DEVICE**  
(71) Applicant: **Gary Platt Manufacturing, LLC,**  
Reno, NV (US)  
(72) Inventor: **Edmond E. Abadie,** Reno, NV (US)  
(73) Assignee: **Gary Platt Manufacturing, LLC,**  
Reno, NV (US)  
(\*\*) Term: **15 Years**

D144,992 S 6/1946 Spence  
D147,615 S 10/1947 Eames  
D193,708 S 10/1962 Keown  
D205,658 S 9/1966 Mueller et al.  
3,556,591 A 1/1971 Smith  
3,712,673 A \* 1/1973 Swenson ..... A47C 7/18  
297/452.61  
3,907,363 A 9/1975 Baker et al.  
D273,729 S 5/1984 Pelly et al.  
D283,762 S 5/1986 Caruso  
D308,604 S 6/1990 Verkerke  
D315,836 S 4/1991 Kaiser  
(Continued)

(21) Appl. No.: **29/768,820**

(22) Filed: **Feb. 1, 2021**

**Related U.S. Application Data**

(63) Continuation of application No. 29/707,710, filed on Sep. 30, 2019, now Pat. No. Des. 909,112, which is a continuation of application No. 29/686,150, filed on Apr. 2, 2019, now Pat. No. Des. 861,405.

(51) **LOC (13) Cl.** ..... **06-01**

(52) **U.S. Cl.**  
USPC ..... **D6/360**

(58) **Field of Classification Search**  
USPC ..... D6/334-336, 360, 366, 369, 374, 375,  
D6/376, 379, 380, 716, 716.1, 716.2,  
D6/716.3, 716.4

CPC .. A47C 4/02; A47C 4/03; A47C 4/024; A47C  
4/028; A47C 5/04; A47C 5/021; A47C  
7/18; A47C 7/24; A47C 7/40; A47C  
9/007; A47C 3/00; A47C 3/04; A47C  
3/12; A47C 7/00; A47C 7/02

See application file for complete search history.

(56) **References Cited**

**U.S. PATENT DOCUMENTS**

1,885,630 A 11/1932 Ronan  
2,364,050 A \* 12/1944 Benson ..... A47C 3/00  
297/188.04

**OTHER PUBLICATIONS**

Niga Tradeshow & Convention, Phoenix, AZ, Mar. 24-27, 2013, Booth #945, retrieved from <http://www.icontact-archive.com/e7t1CYWWjUYQB-9KN9CTVTg7ILnQrvWK?w=1>, 2 pages.

(Continued)

*Primary Examiner* — Mimoso De

(74) *Attorney, Agent, or Firm* — Hanley, Flight & Zimmerman, LLC

(57) **CLAIM**

The ornamental design for a seating device, substantially as shown and described.

**DESCRIPTION**

FIG. 1 is a front perspective view of an ornamental design for a seating device;

FIG. 2 is a front view thereof;

FIG. 3 is a rear view thereof;

FIG. 4 is a left elevation view thereof;

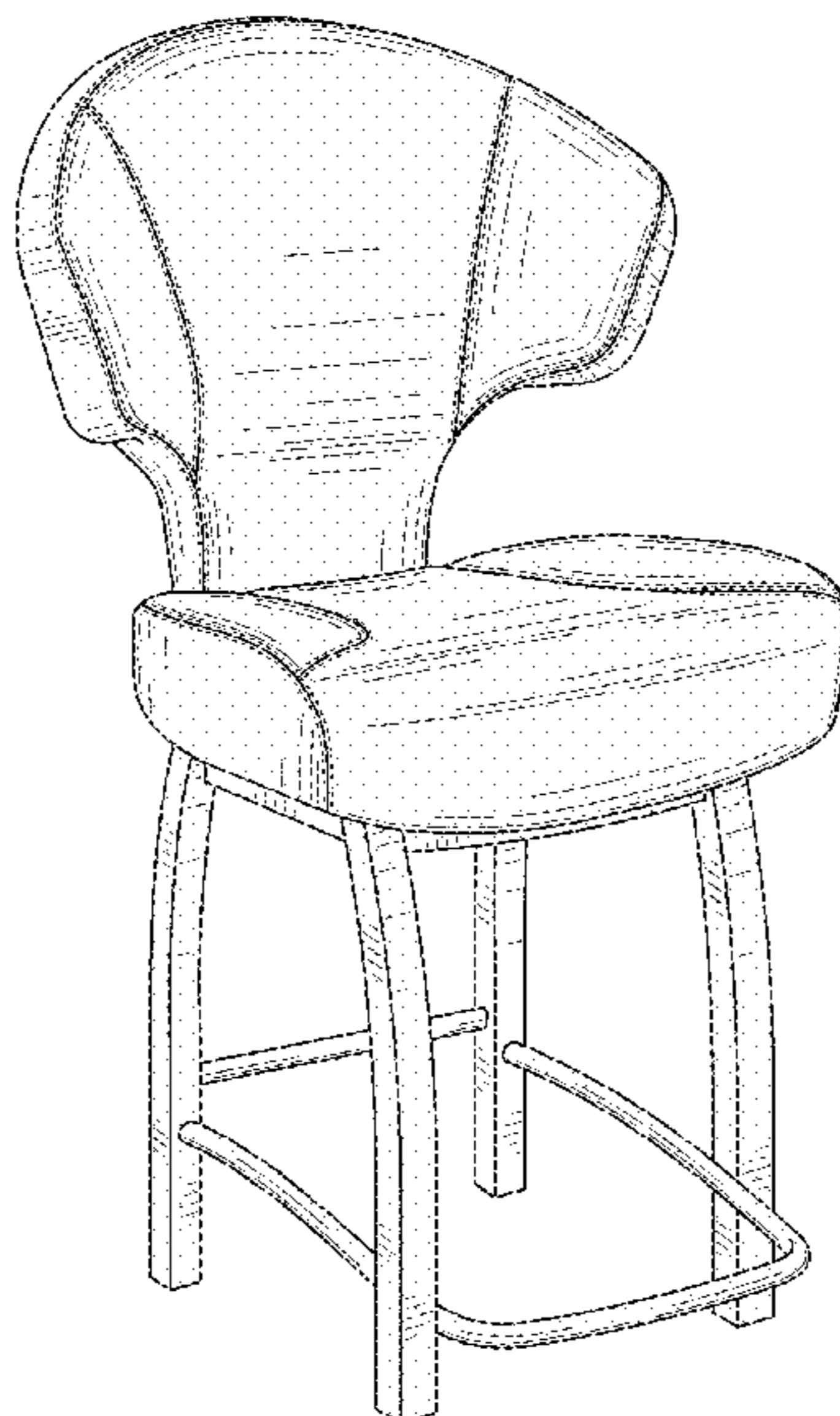
FIG. 5 is a right elevation view thereof;

FIG. 6 is a top view thereof; and,

FIG. 7 is a bottom view thereof.

The dashed lines shown on the fabric of the backrest and seat represent stitching.

**1 Claim, 6 Drawing Sheets**



(56)

References Cited

U.S. PATENT DOCUMENTS

D333,733 S 3/1993 Sammons  
 D344,195 S 2/1994 Hare  
 D347,334 S 5/1994 Fewchuk  
 5,542,748 A 8/1996 Barile  
 D395,758 S 7/1998 Hutton  
 D411,699 S 6/1999 Bond et al.  
 D421,187 S 2/2000 Kaiser  
 D441,557 S 5/2001 Glass  
 D477,926 S 8/2003 Haney et al.  
 D478,430 S 8/2003 Olson  
 D502,013 S 2/2005 Kaiser  
 D502,014 S 2/2005 Kaiser  
 D507,893 S 8/2005 Glass et al.  
 D515,325 S 2/2006 Goldman  
 D517,357 S 3/2006 Gasser  
 D520,768 S 5/2006 Glass et al.  
 7,052,083 B2 5/2006 Peitz et al.  
 D536,554 S 2/2007 True  
 D541,069 S 4/2007 Peitz et al.  
 D551,881 S 10/2007 True  
 D562,020 S 2/2008 Massaud  
 D573,804 S 7/2008 Bartlmae  
 D596,869 S \* 7/2009 Massaud ..... D6/369  
 D599,129 S 9/2009 Opsvik  
 D603,616 S 11/2009 Kubryk  
 D614,416 S 4/2010 Garzon  
 7,832,799 B2 11/2010 Davis, Jr. et al.  
 D646,514 S 10/2011 Vong  
 D646,515 S 10/2011 Vong  
 D656,328 S 3/2012 Samuel et al.  
 D663,974 S 7/2012 Swy  
 D665,183 S 8/2012 Welsh  
 D670,514 S 11/2012 Petruccelli  
 8,353,560 B2 1/2013 Grove  
 D679,512 S 4/2013 Lade  
 D680,763 S 4/2013 Ouchi  
 D681,353 S 5/2013 Lade  
 D683,558 S 6/2013 Rada et al.  
 D686,858 S 7/2013 Fletcher  
 D688,481 S 8/2013 Lee et al.  
 D693,588 S 11/2013 Moore  
 D699,060 S 2/2014 Geiger et al.  
 D701,054 S 3/2014 Lee  
 8,979,207 B2 3/2015 Bachar  
 D729,563 S 5/2015 Kubryk  
 D743,180 S 11/2015 Mehaffey et al.  
 9,193,286 B2 11/2015 Okuyama et al.

D767,928 S 10/2016 Silvonon  
 D770,789 S 11/2016 Chen et al.  
 D781,606 S 3/2017 Ngo  
 9,637,035 B2 5/2017 Abe et al.  
 9,648,957 B2 5/2017 Su  
 D817,017 S 5/2018 Levine et al.  
 9,955,785 B2 5/2018 Voigt et al.  
 D828,050 S 9/2018 Clitterio  
 D829,458 S 10/2018 Abadie et al.  
 D838,505 S 1/2019 Ngo  
 D843,763 S 3/2019 Abadie et al.  
 D845,051 S \* 4/2019 Abadie ..... D6/716.4  
 D847,549 S 5/2019 Abadie et al.  
 D857,437 S \* 8/2019 Kinoshita ..... D6/716.4  
 D861,405 S 10/2019 Abadie  
 D879,526 S 3/2020 Abadie et al.  
 D882,979 S 5/2020 Kinoshita et al.  
 D884,377 S 5/2020 Kinoshita et al.  
 D909,112 S \* 2/2021 Abadie ..... D6/360  
 2002/0053822 A1 5/2002 Ware et al.  
 2005/0242651 A1 11/2005 Peitz et al.  
 2013/0082505 A1 4/2013 Schneider et al.  
 2014/0077573 A1 3/2014 Schneider et al.  
 2014/0252823 A1 9/2014 Risdall  
 2014/0252824 A1 9/2014 Saint Pierre et al.

OTHER PUBLICATIONS

The Lido Revolutionizes Casino Seating Your Casino Insider, Oct. 10, 2014, retrieved from <https://exclusivelycasinos.wordpress.com/2014/10/10/lidox2series/>, 1 page.  
 United States Patent and Trademark Office, "Notice of Allowance," issued in connection with U.S. Appl. No. 29/561,747, dated Aug. 15, 2018, 14 pages.  
 United States Patent and Trademark Office, "Notice of Allowance," issued in connection with U.S. Appl. No. 29/660,998, dated Dec. 28, 2018, 11 pages.  
 United States Patent and Trademark Office, "Non-Final Office action," issued in connection with U.S. Appl. No. 29/660,998, dated Nov. 1, 2018, 16 pages.  
 Fritz Hansen, "Chairs", retrieved from <https://fritzhanzen.com/en-us/products/chairs?showType=product>, on Apr. 8, 2019, 8 pages.  
 United States Patent and Trademark Office, "Notice of Allowance," issued in connection with U.S. Appl. No. 29/686,150, dated Aug. 7, 2019, 22 pages.  
 United States Patent and Trademark Office, "Notice of Allowance," issued in connection with U.S. Appl. No. 29/707,710, dated Dec. 23, 2020, 16 pages.

\* cited by examiner

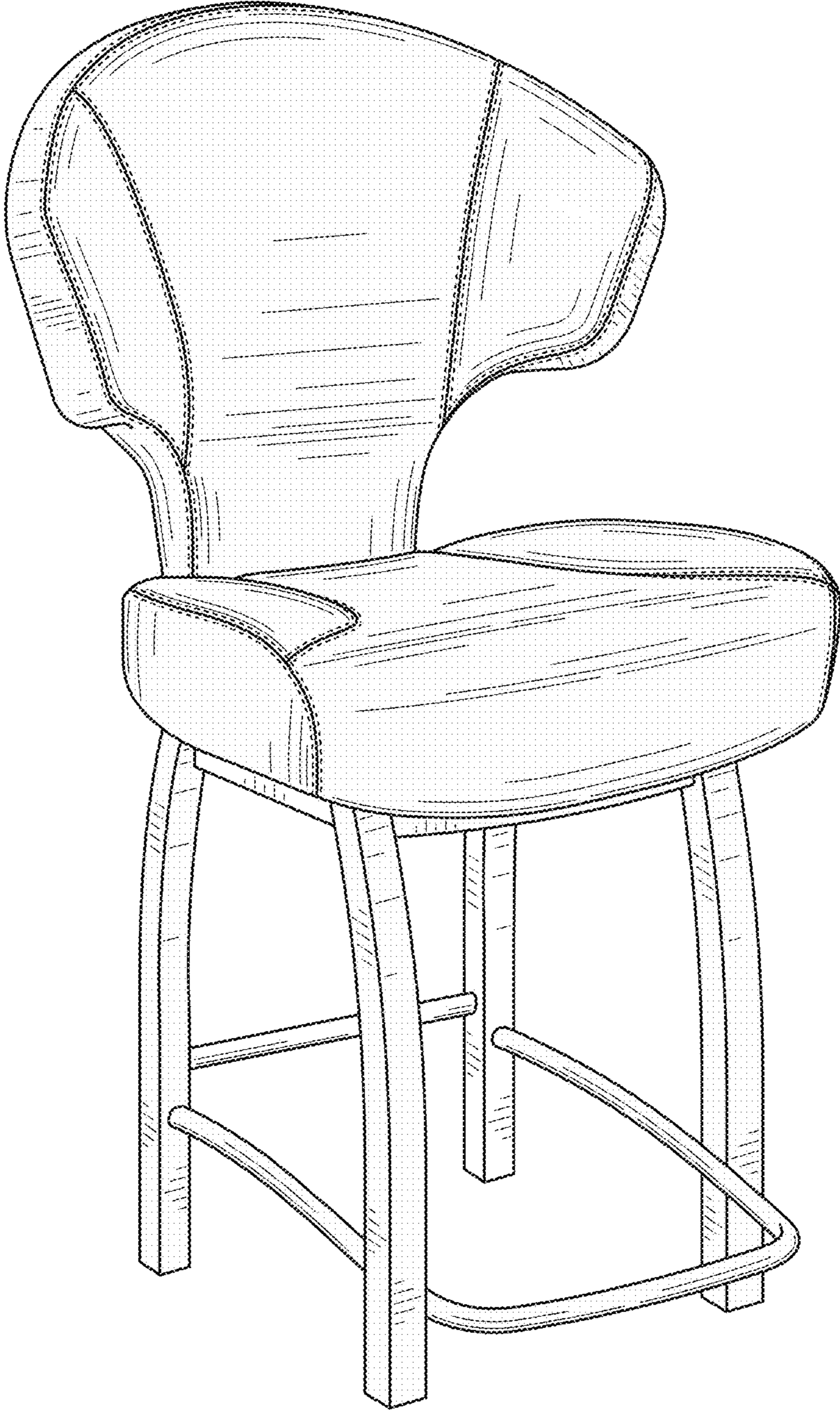


FIG. 1

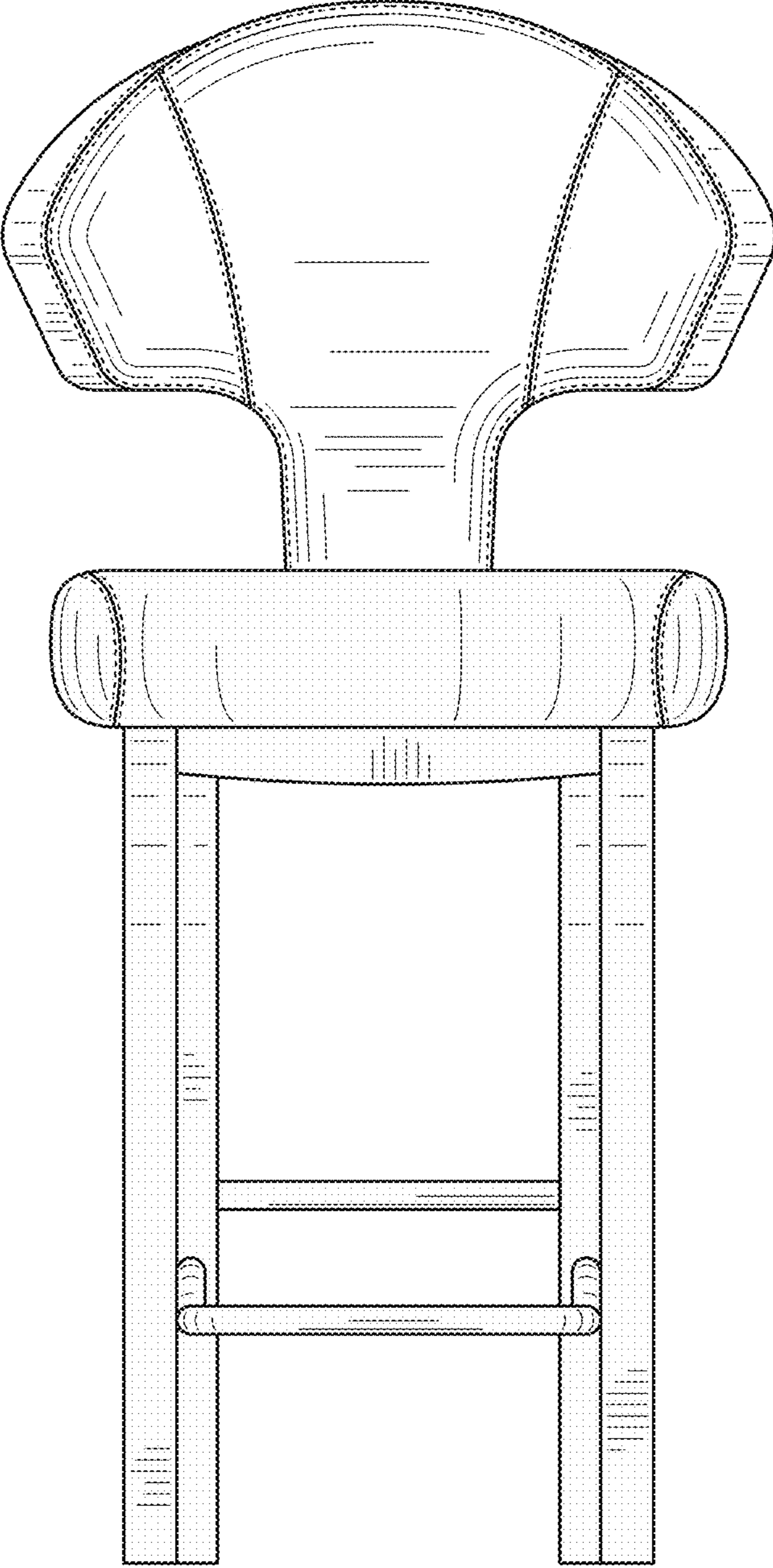


FIG. 2

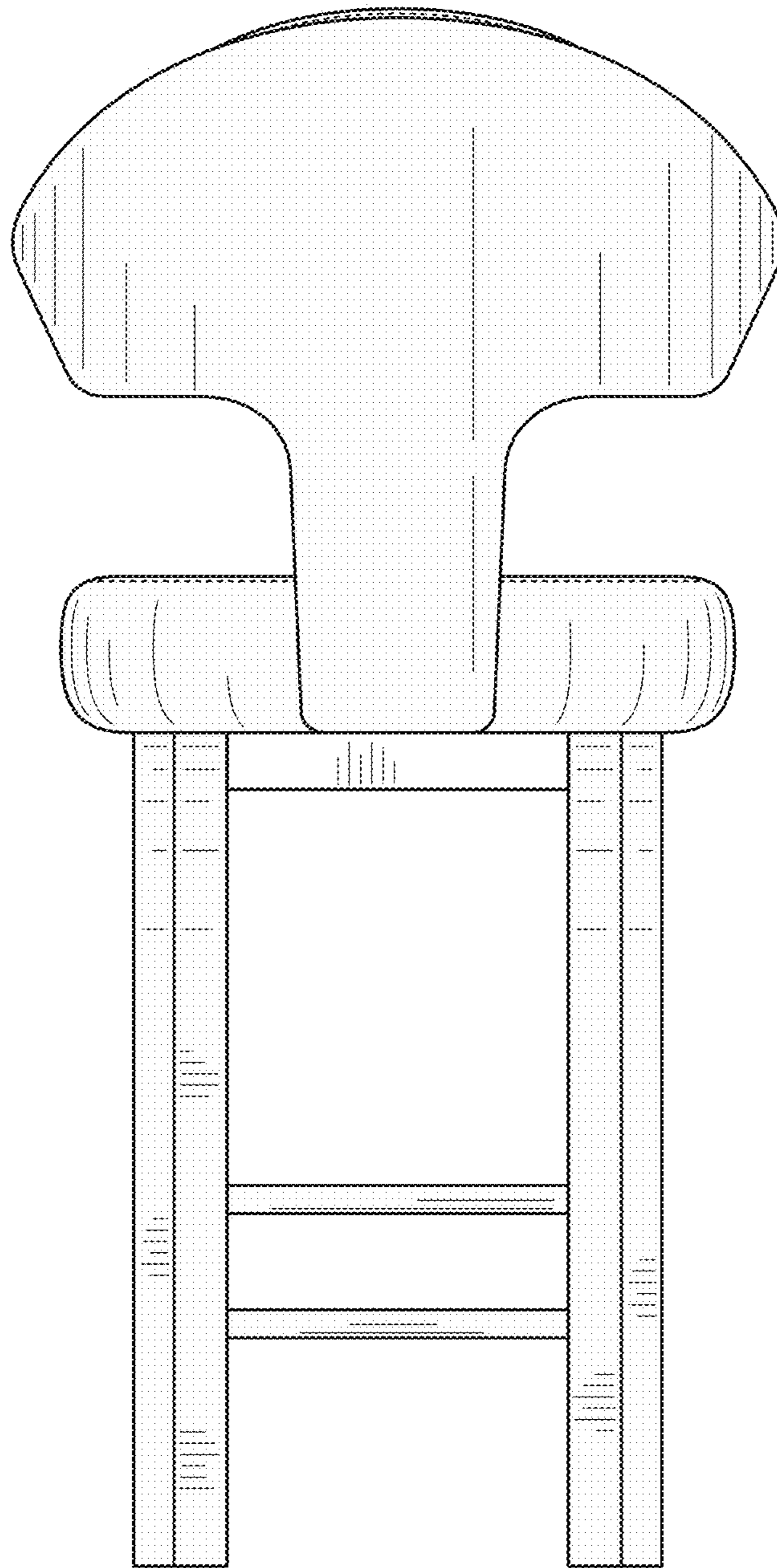


FIG. 3

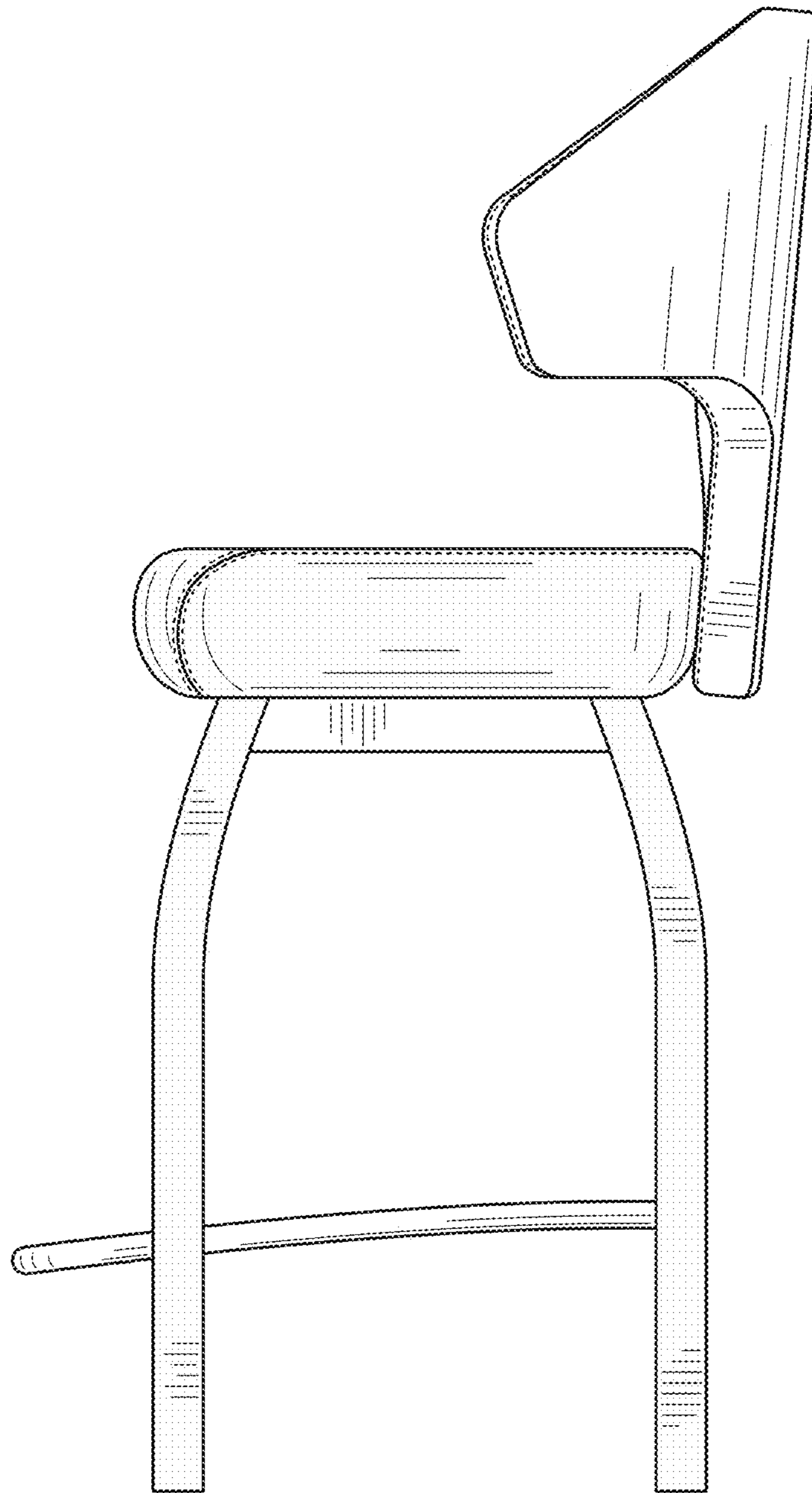


FIG. 4

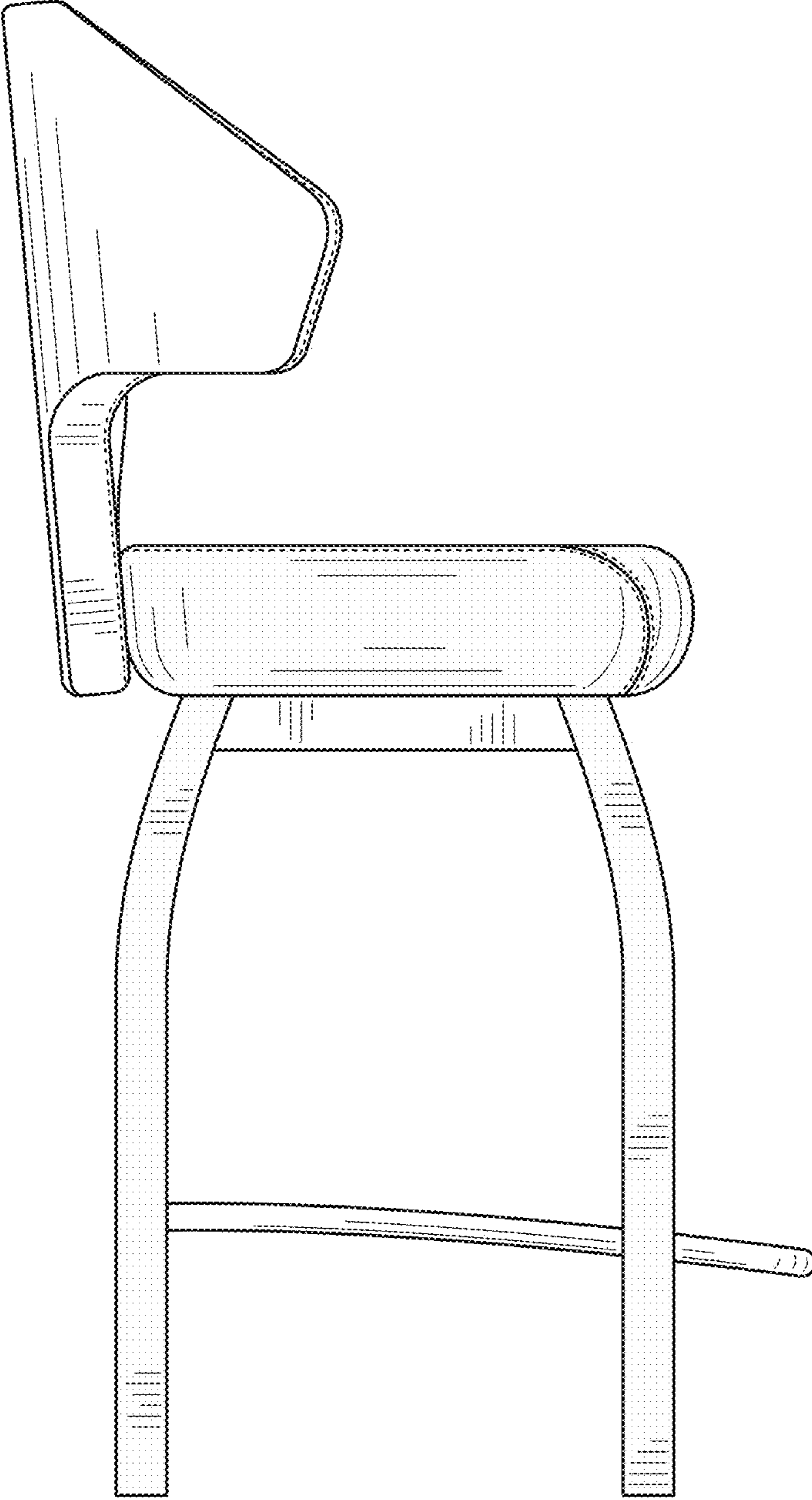


FIG. 5

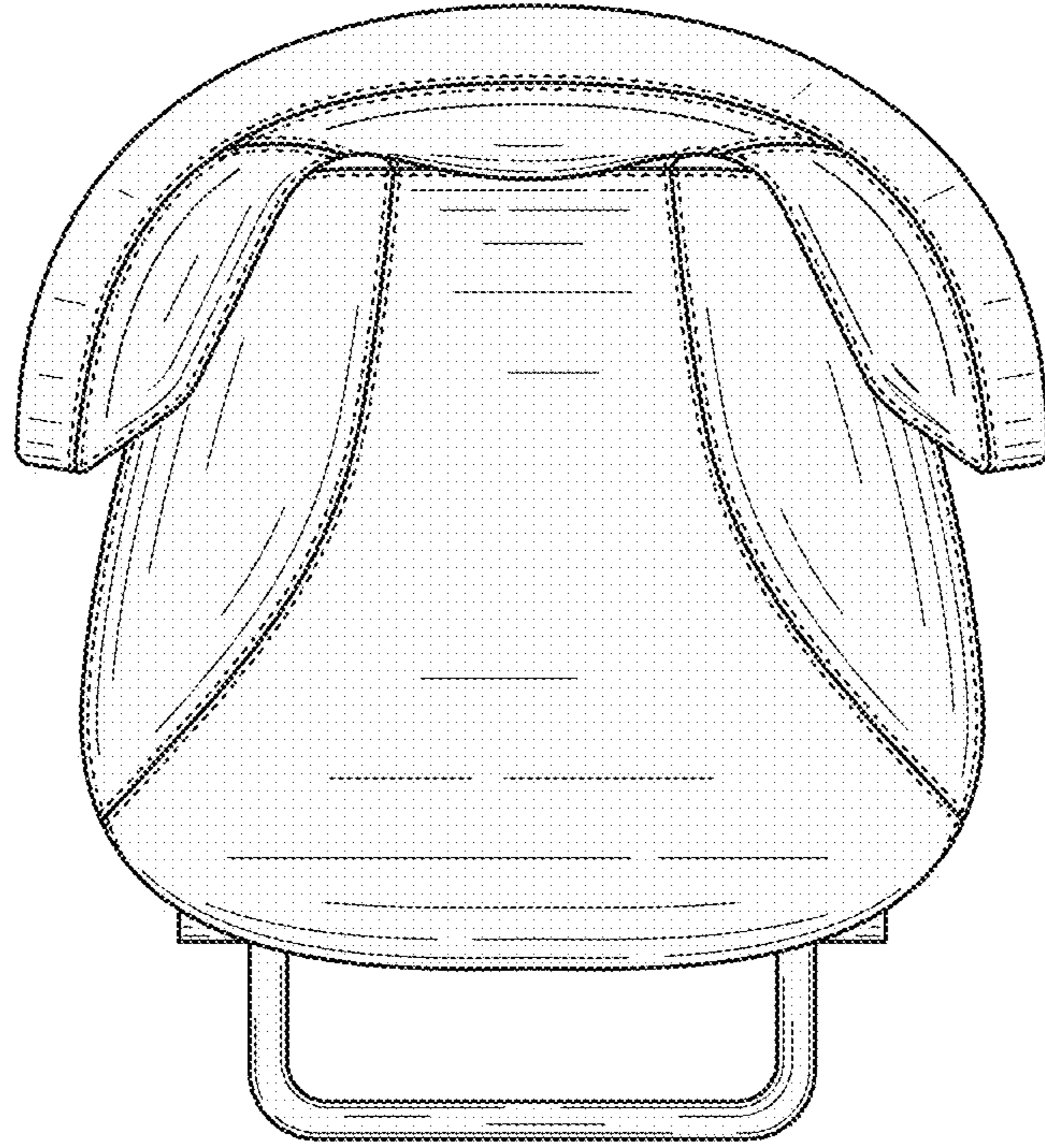


FIG. 6

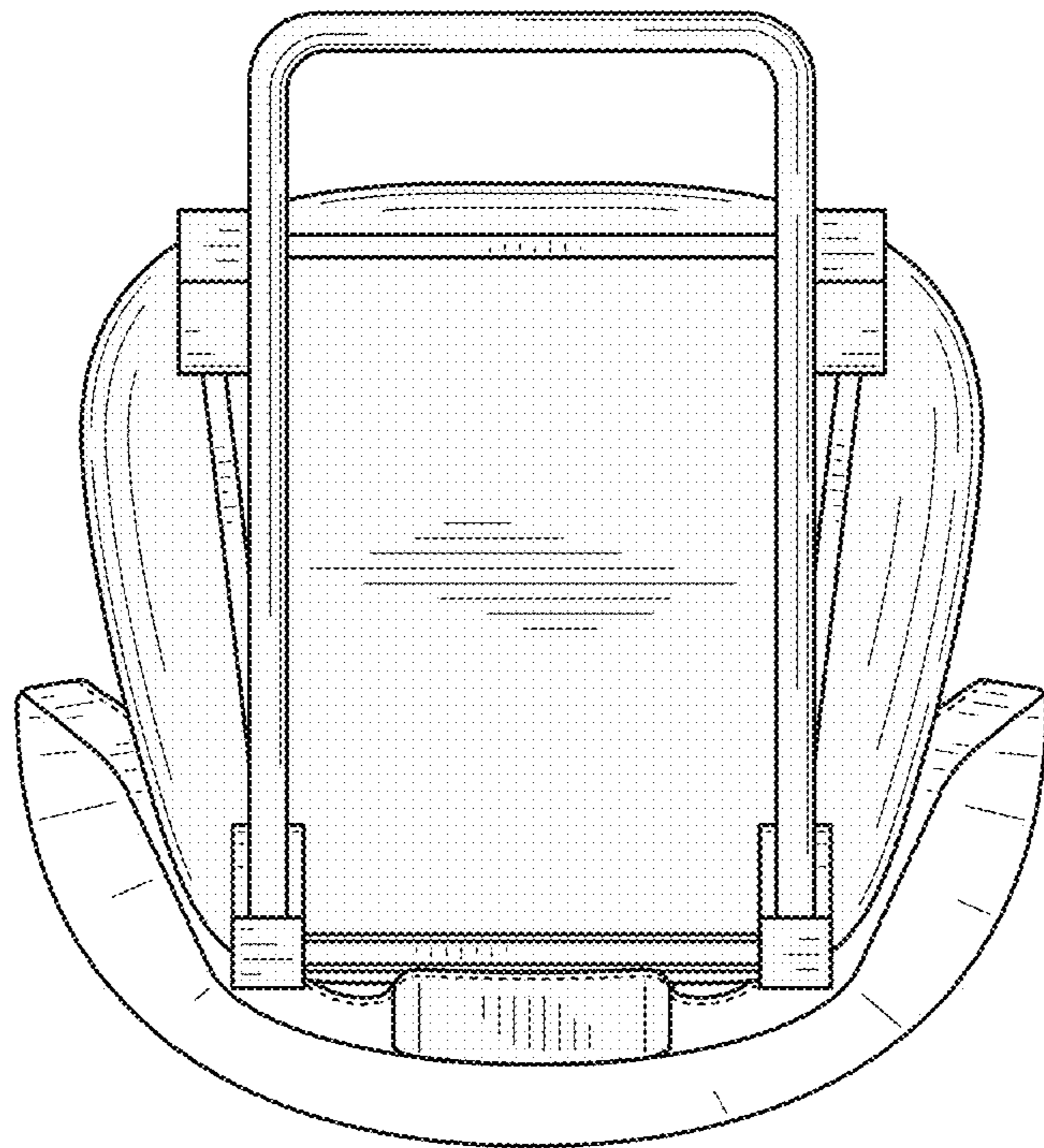


FIG. 7