



US00D943296S

(12) **United States Design Patent** (10) **Patent No.:** **US D943,296 S**
Mason et al. (45) **Date of Patent:** **** Feb. 15, 2022**

(54) **INFANT CAR SEAT**

(56) **References Cited**

(71) Applicant: **Wonderland Switzerland AG,**
Steinhausen (CH)
(72) Inventors: **Kyle S. Mason,** Lititz City, PA (US);
Colin F. Eggert-Crowe, King of
Prussia, PA (US)
(73) Assignee: **WONDERLAND SWITZERLAND**
AG, Steinhausen (CH)

U.S. PATENT DOCUMENTS

D695,533 S * 12/2013 Jane Santamaria D6/333
D824,182 S * 7/2018 Williams D6/333
D847,520 S * 5/2019 Imrich D6/333
D916,473 S * 4/2021 Imrich D6/333

* cited by examiner

Primary Examiner — Abraham Bahta

(74) *Attorney, Agent, or Firm* — Bacon & Thomas, PLLC

(**) Term: **15 Years**

(21) Appl. No.: **29/742,360**

(57) **CLAIM**

(22) Filed: **Oct. 21, 2020**

The ornamental design for an infant car seat, as shown and described.

(51) **LOC (13) Cl.** **06-01**

(52) **U.S. Cl.**

USPC **D6/333**

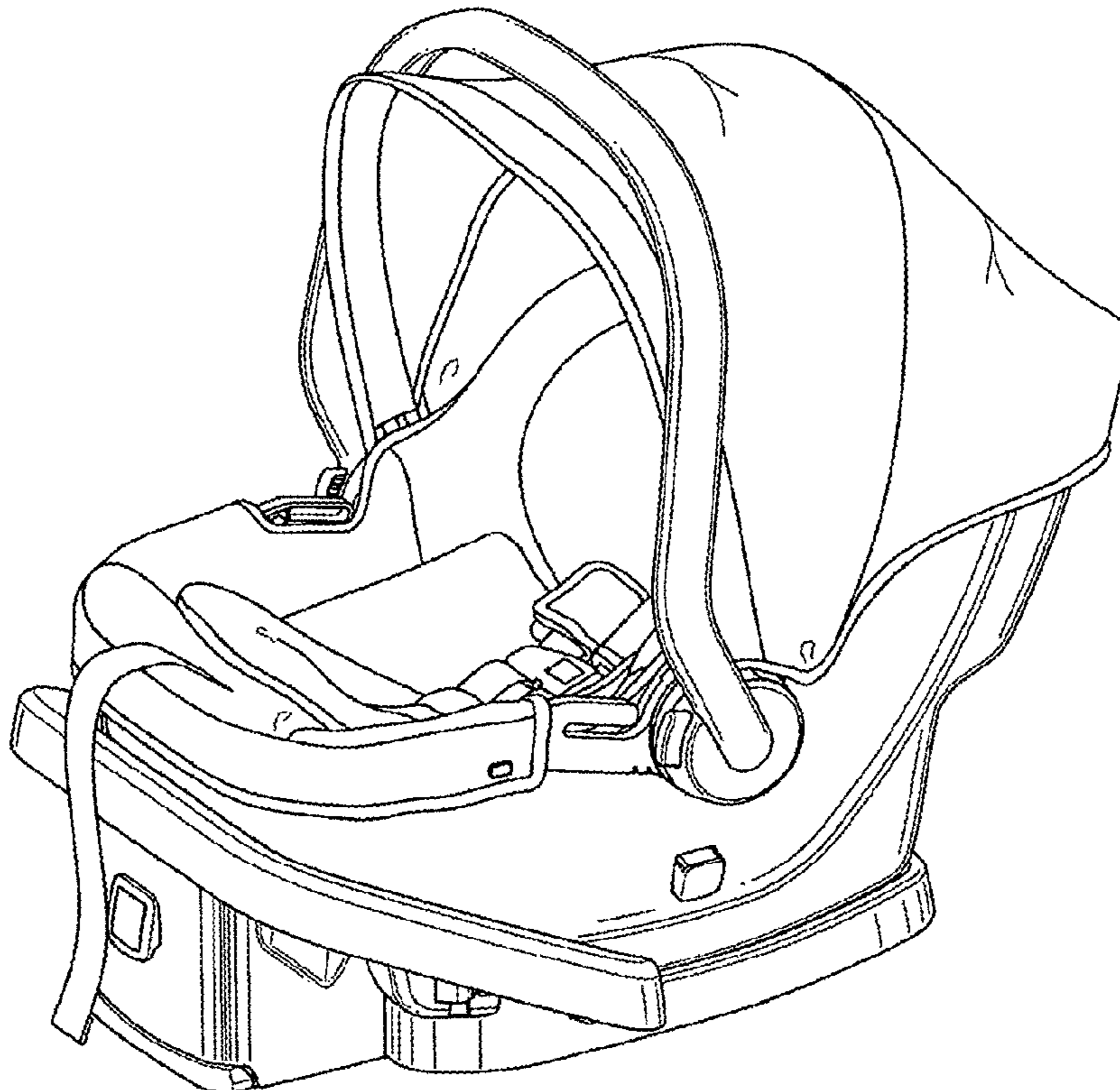
(58) **Field of Classification Search**

USPC D6/333-335, 339, 391, 389;
297/183.1-183.4, 184.13, 184.15, 184.17,
297/184.12, 224, 228.12, 250.1, 255,
297/256.1, 256.15, 256.16; 5/98.1, 99.1,
5/101-102, 414, 416; D12/401-403;
135/117, 124; 280/30-31, 642, 47.38,
280/647, 650, 658; D21/419, 834;
224/409; D34/27; D2/718-719
CPC A47C 29/00; A47C 31/02; A47C 7/62;
A47C 7/66; A47D 15/00; A47D 13/00;
A47D 13/02; A47D 13/025; B60N 2/28
See application file for complete search history.

DESCRIPTION

FIG. 1 is a perspective view of an infant car seat, showing our new design;
FIG. 2 is a front view of FIG. 1;
FIG. 3 is a rear view of FIG. 1;
FIG. 4 is a left side view of FIG. 1;
FIG. 5 is a right side view of FIG. 1;
FIG. 6 is a top view of FIG. 1; and,
FIG. 7 is a bottom view of FIG. 1.

1 Claim, 5 Drawing Sheets



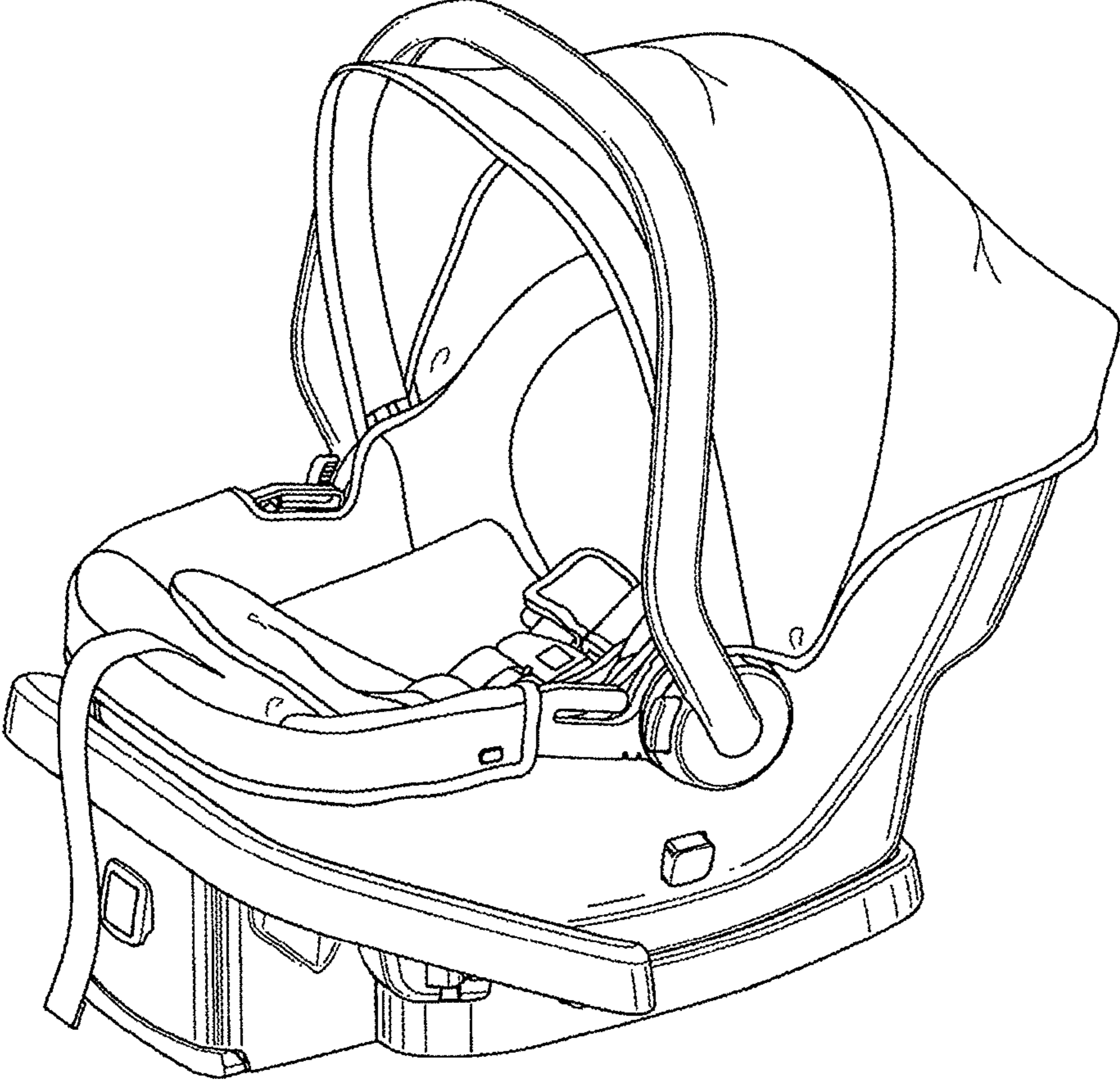


FIG. 1

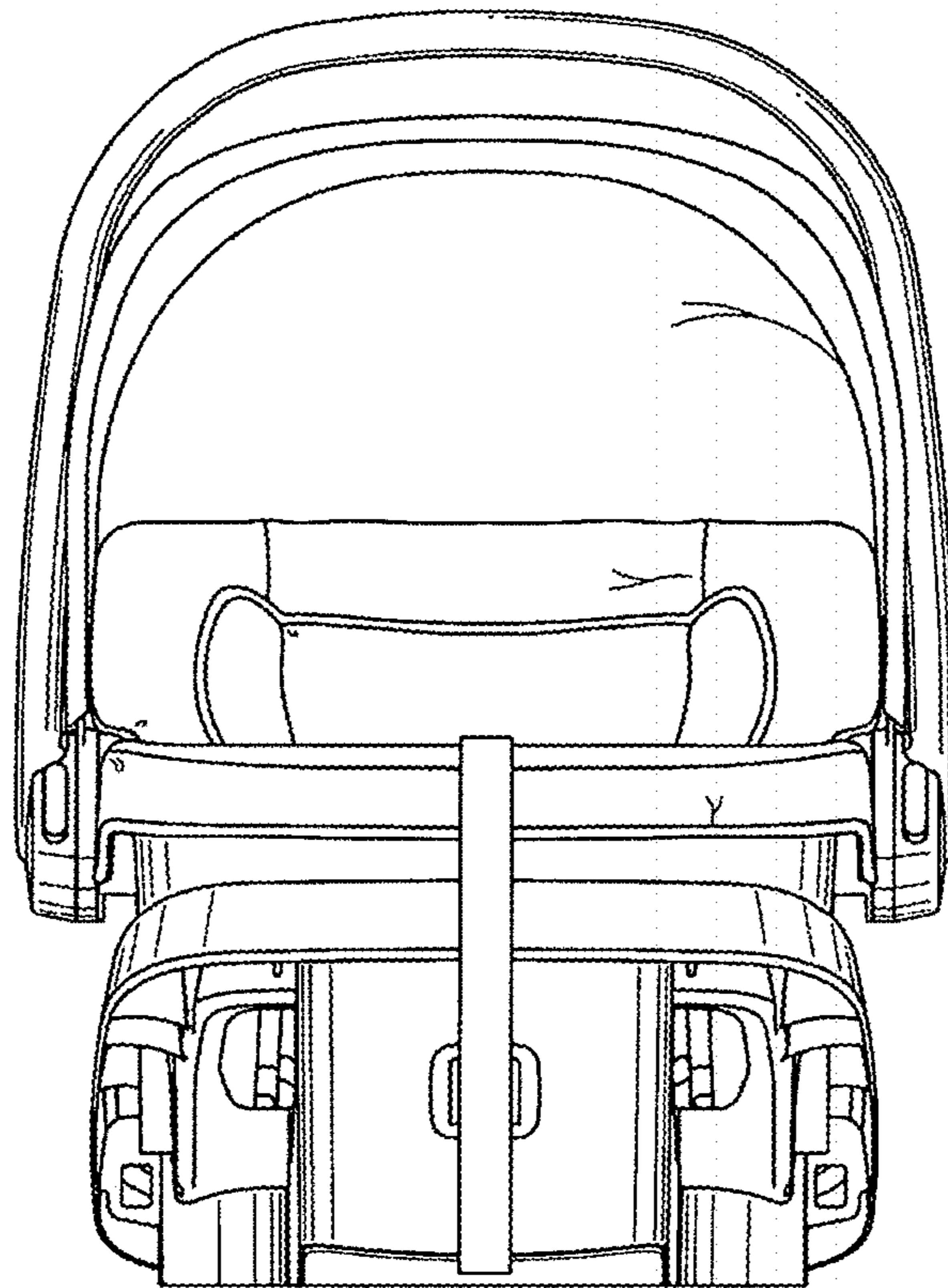


FIG. 2

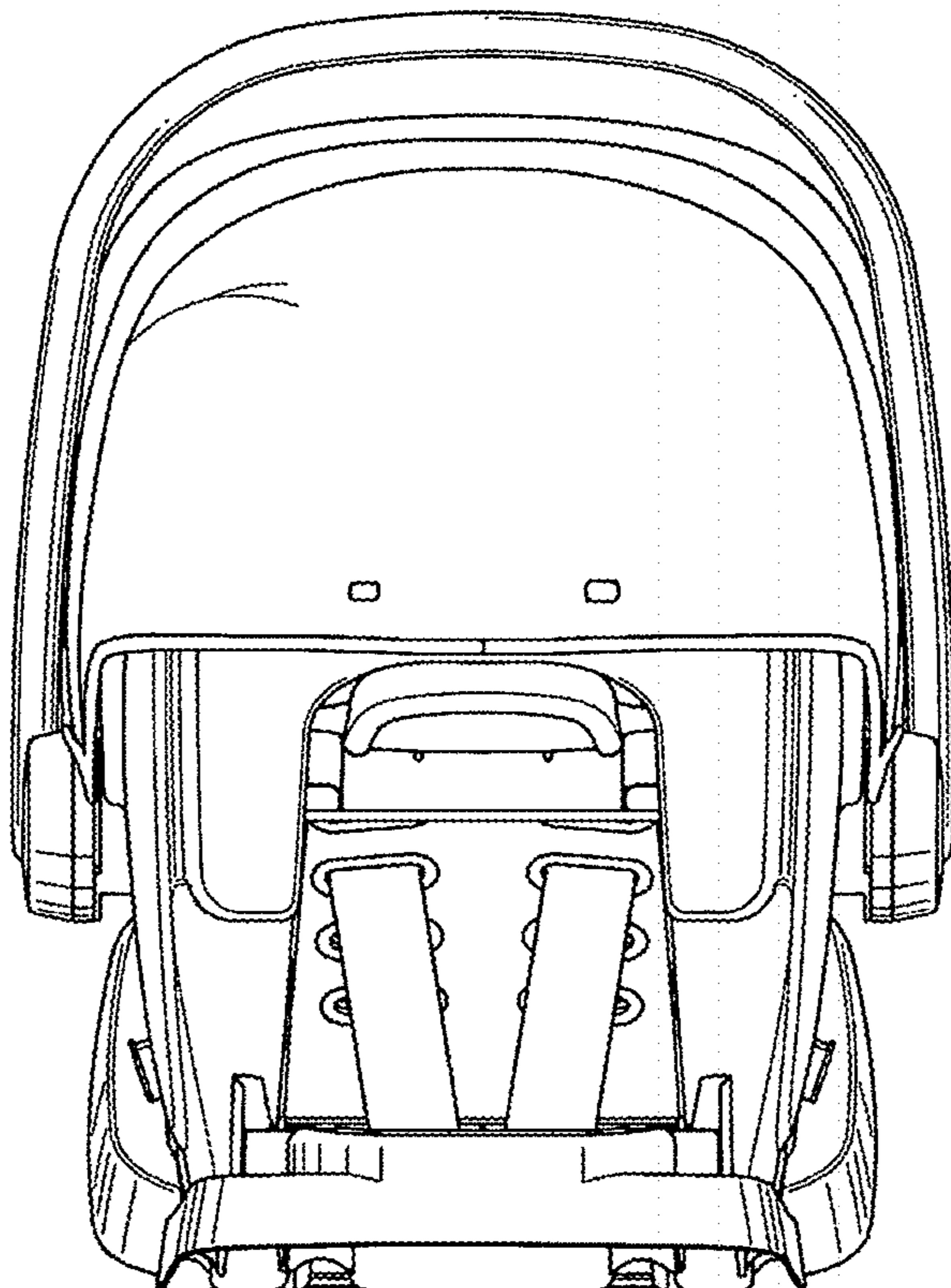


FIG. 3

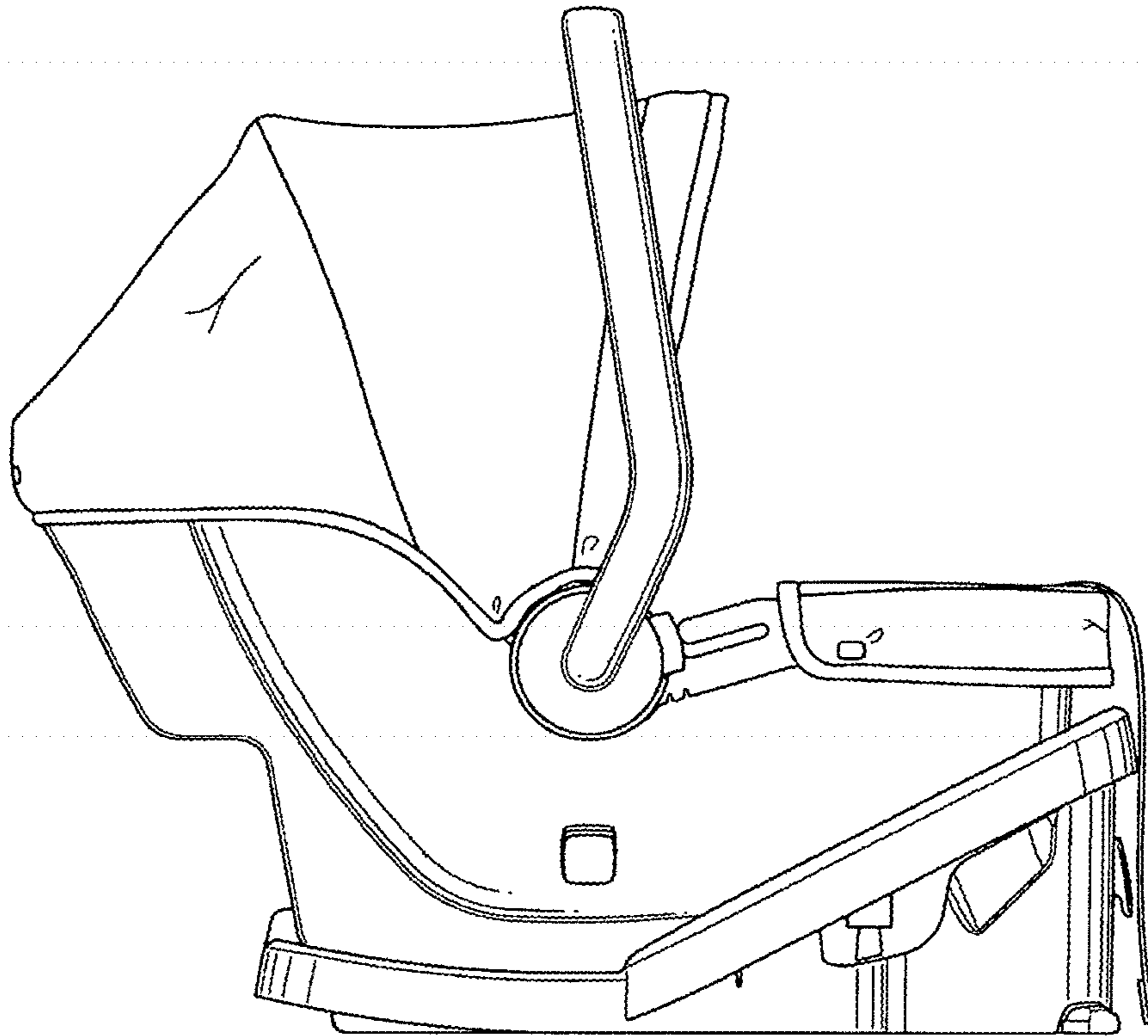


FIG. 4

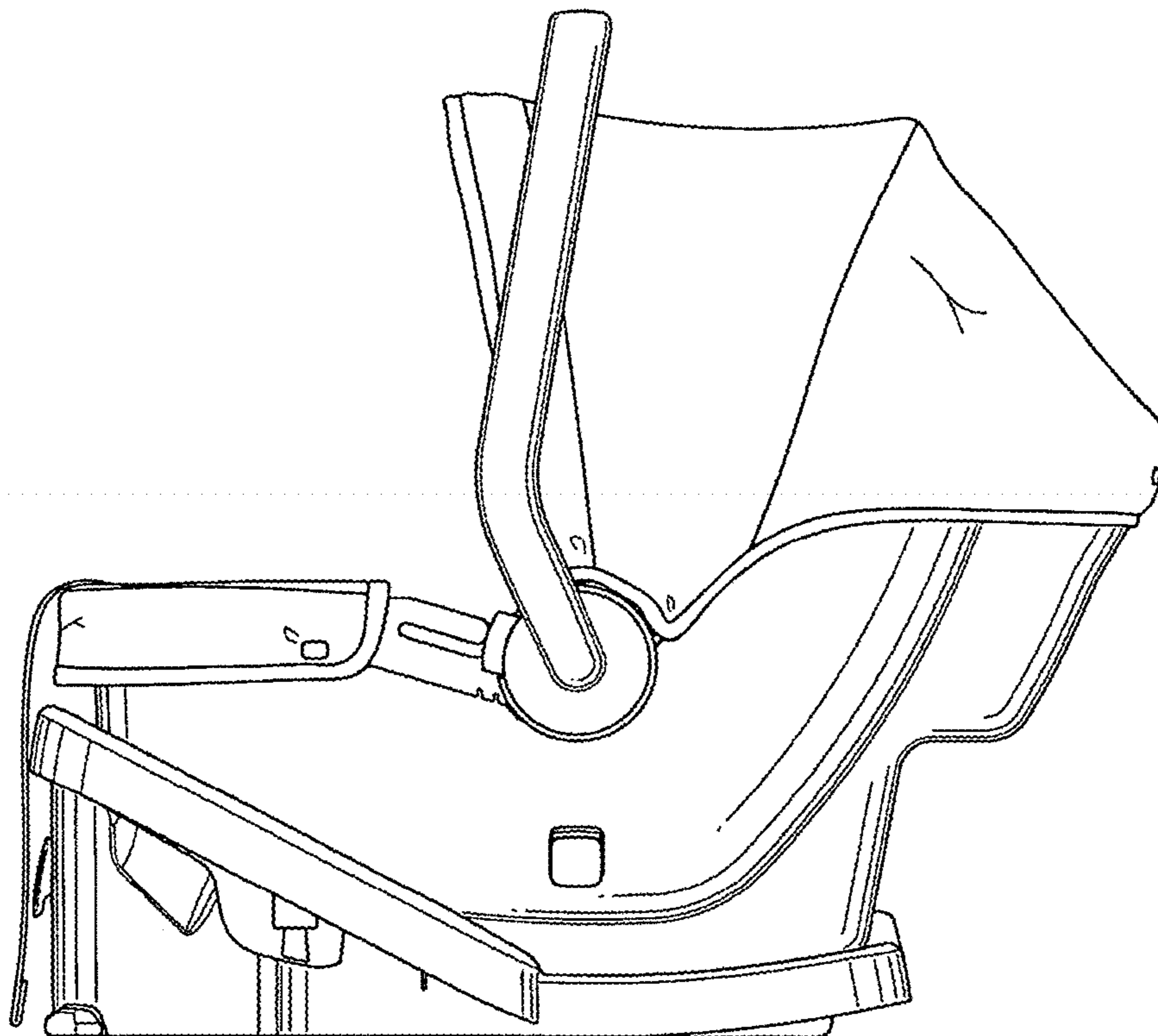


FIG. 5

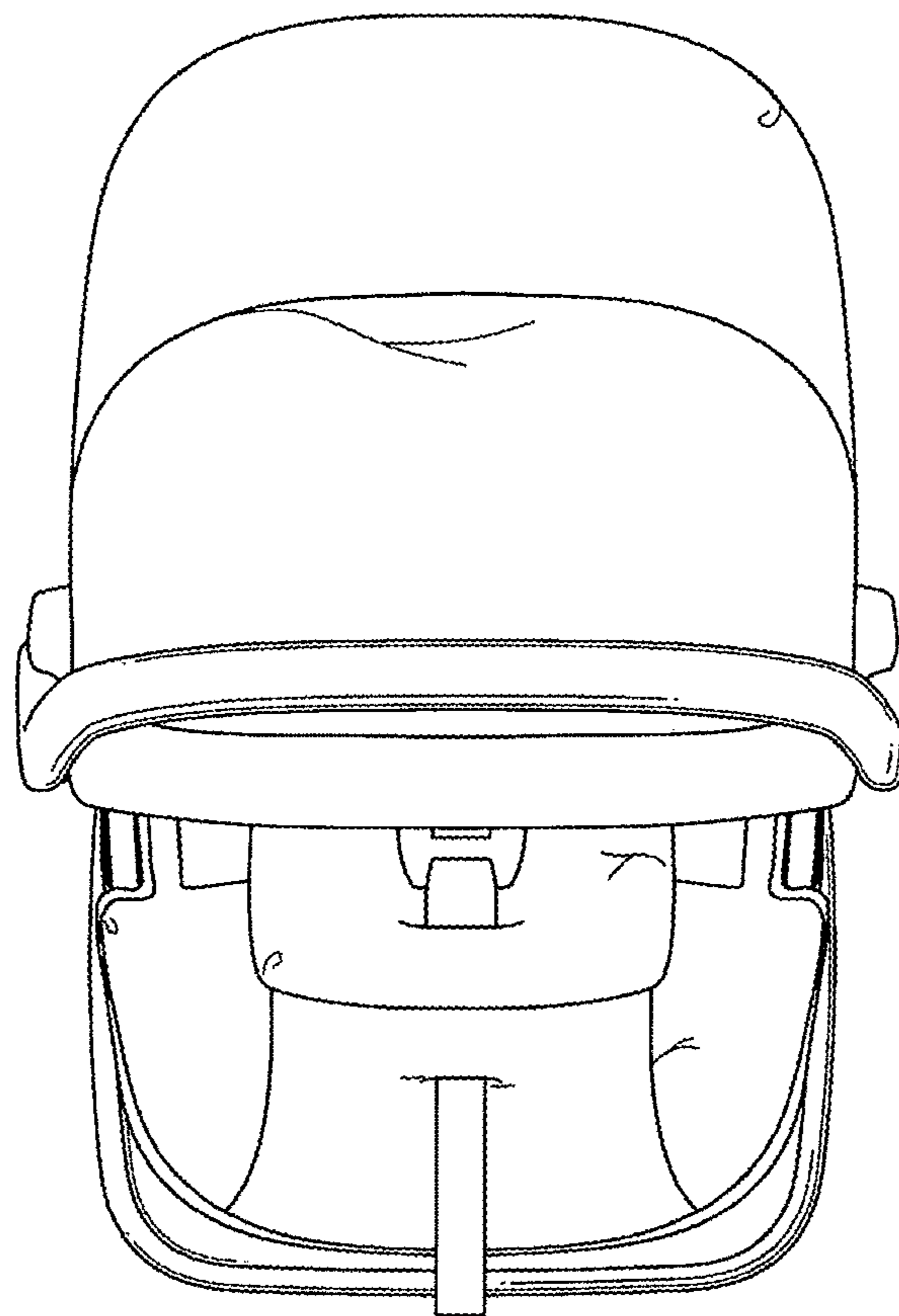


FIG. 6

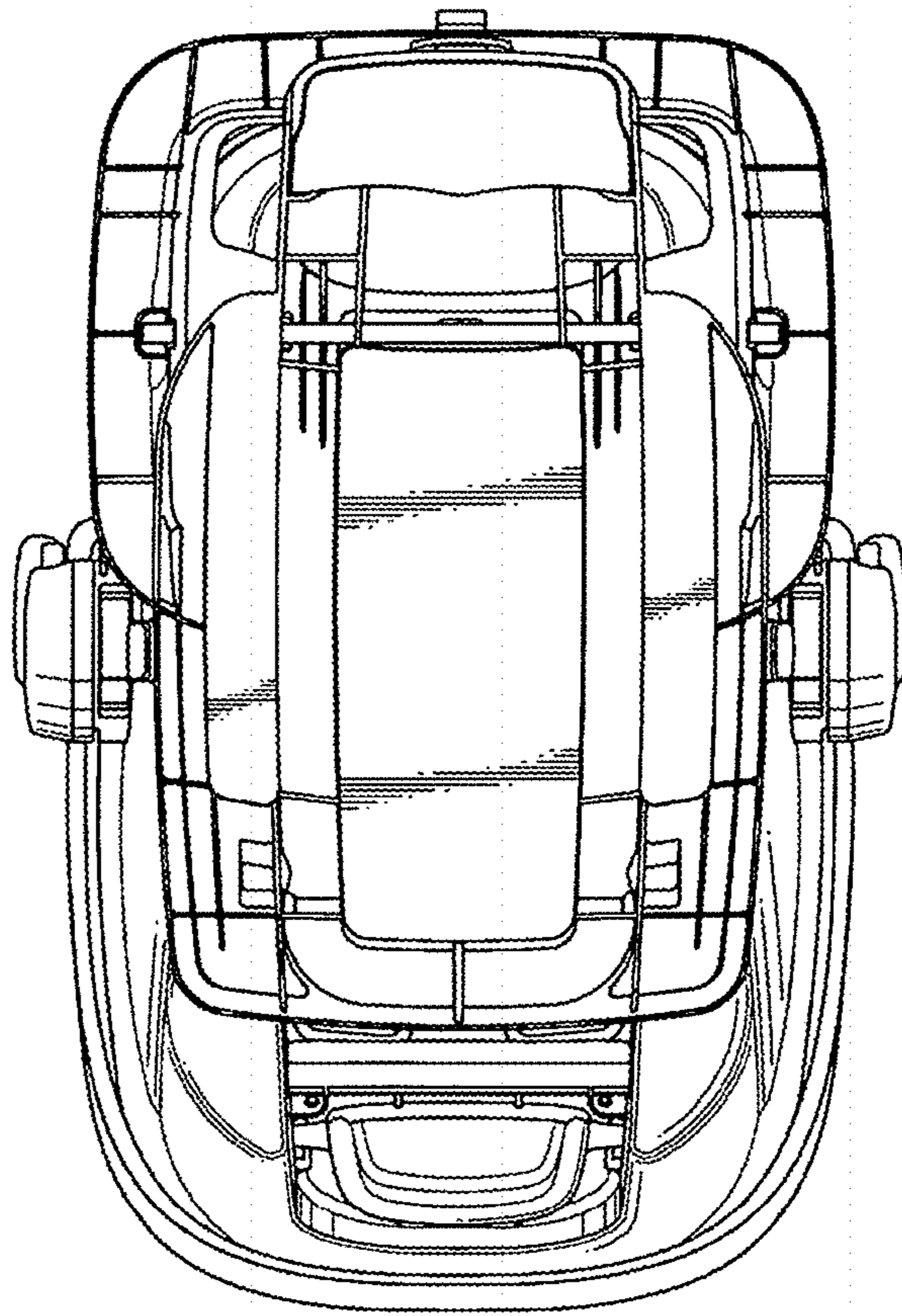


FIG. 7