



US00D943295S

(12) **United States Design Patent** (10) **Patent No.:** **US D943,295 S**
Zhao (45) **Date of Patent:** **** Feb. 15, 2022**

(54) **CHILD CAR SEAT**

A47C 3/00; A47C 3/02; A47C 3/025;
A47C 3/20; A47C 1/00; A47C 1/02;
A47C 1/04; A47C 1/06

(71) Applicant: **Wonderland Switzerland AG,**
Steinhausen (CH)

See application file for complete search history.

(72) Inventor: **Guanghui Zhao,** Guangdong (CN)

(56) **References Cited**

(73) Assignee: **WONDERLAND SWITZERLAND**
AG, Steinhausen (CH)

U.S. PATENT DOCUMENTS

(**) Term: **15 Years**

D632,501 S * 2/2011 Cymbalski D6/333
D653,463 S * 2/2012 Hartenstine D6/333
D655,925 S * 3/2012 Hartenstine D6/333
D746,071 S * 12/2015 Haley D6/333
D841,346 S * 2/2019 Huntley D6/333

(21) Appl. No.: **29/742,340**

* cited by examiner

(22) Filed: **Sep. 23, 2020**

(30) **Foreign Application Priority Data**

Primary Examiner — Abraham Bahta

Mar. 25, 2020 (CN) 202030106769.8

(74) *Attorney, Agent, or Firm* — Bacon & Thomas, PLLC

(51) **LOC (13) Cl.** **06-01**

(57) **CLAIM**

(52) **U.S. Cl.**

The ornamental design for a child car seat, as shown and described.

USPC **D6/333**

(58) **Field of Classification Search**

DESCRIPTION

USPC D6/334–336, 338–339, 491, 333, 716,
D6/716.1–716.7; D12/129; D21/412,
D21/419; 280/30–31; 5/94, 98.1, 99.1,
5/101, 105, 655; 297/183.1–183.4,
297/184.13, 184.15, 184.17, 250.1, 256.1,
297/255, 256.15, 256.16, 174 R, 174 CS,
297/170–173, 136, 148, 27, 61, 68;
4/572.1

FIG. 1 is a perspective view of a child car seat in accordance with my new design;

FIG. 2 is a front view of FIG. 1;

FIG. 3 is a rear view of FIG. 1;

FIG. 4 is a left side view of FIG. 1;

FIG. 5 is a right side view of FIG. 1;

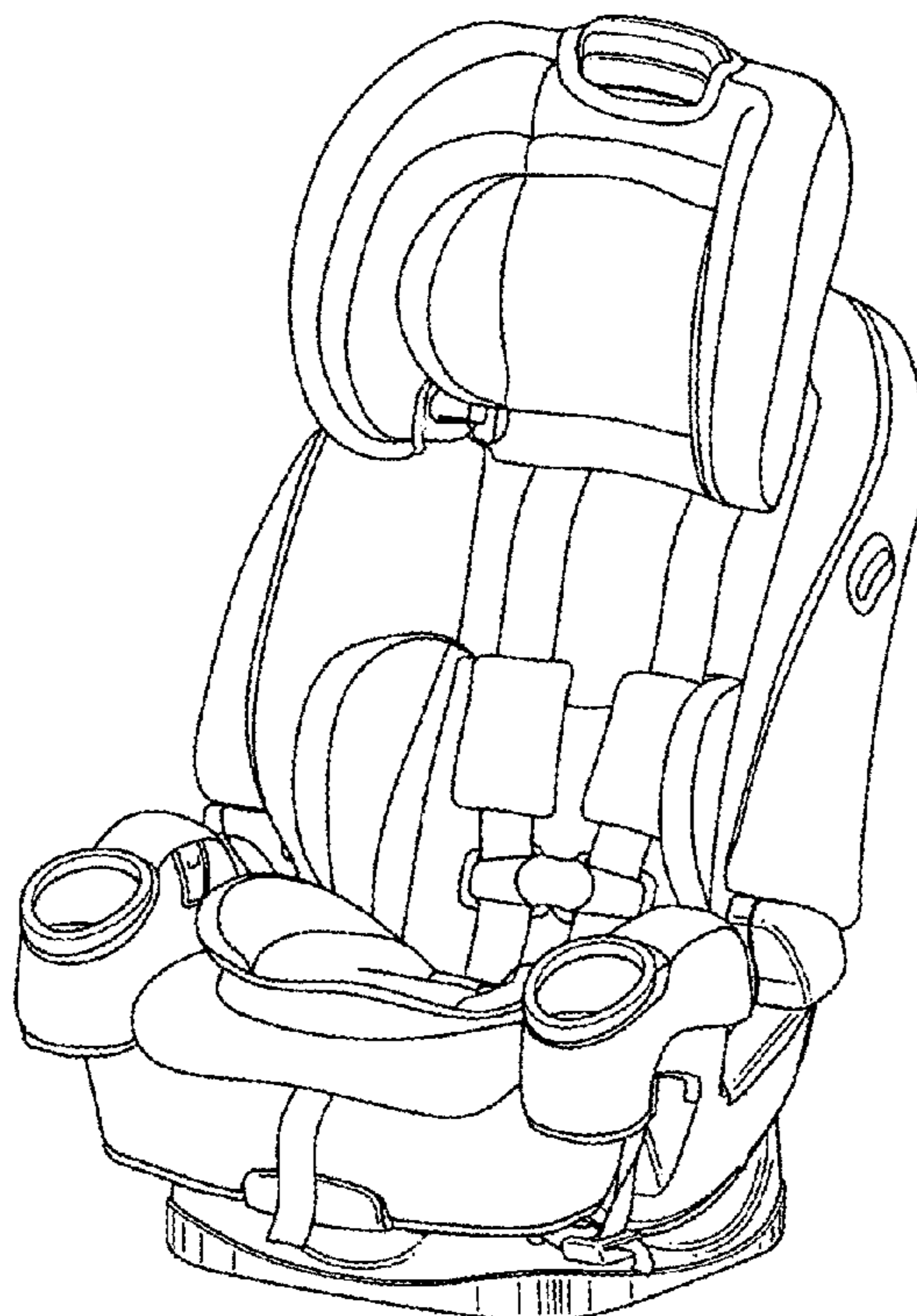
FIG. 6 is a top view of FIG. 1;

FIG. 7 is a bottom view of FIG. 1; and,

FIG. 8 is another front perspective view of the child car seat.

CPC A47D 13/02; A47D 13/10; A47D 1/00;
A47D 1/002; A47D 1/004; B60N 2/22;
B60N 2/24; A47C 7/021; A47C 7/022;
A47C 7/002; A47C 7/18; A47C 7/24;

1 Claim, 5 Drawing Sheets



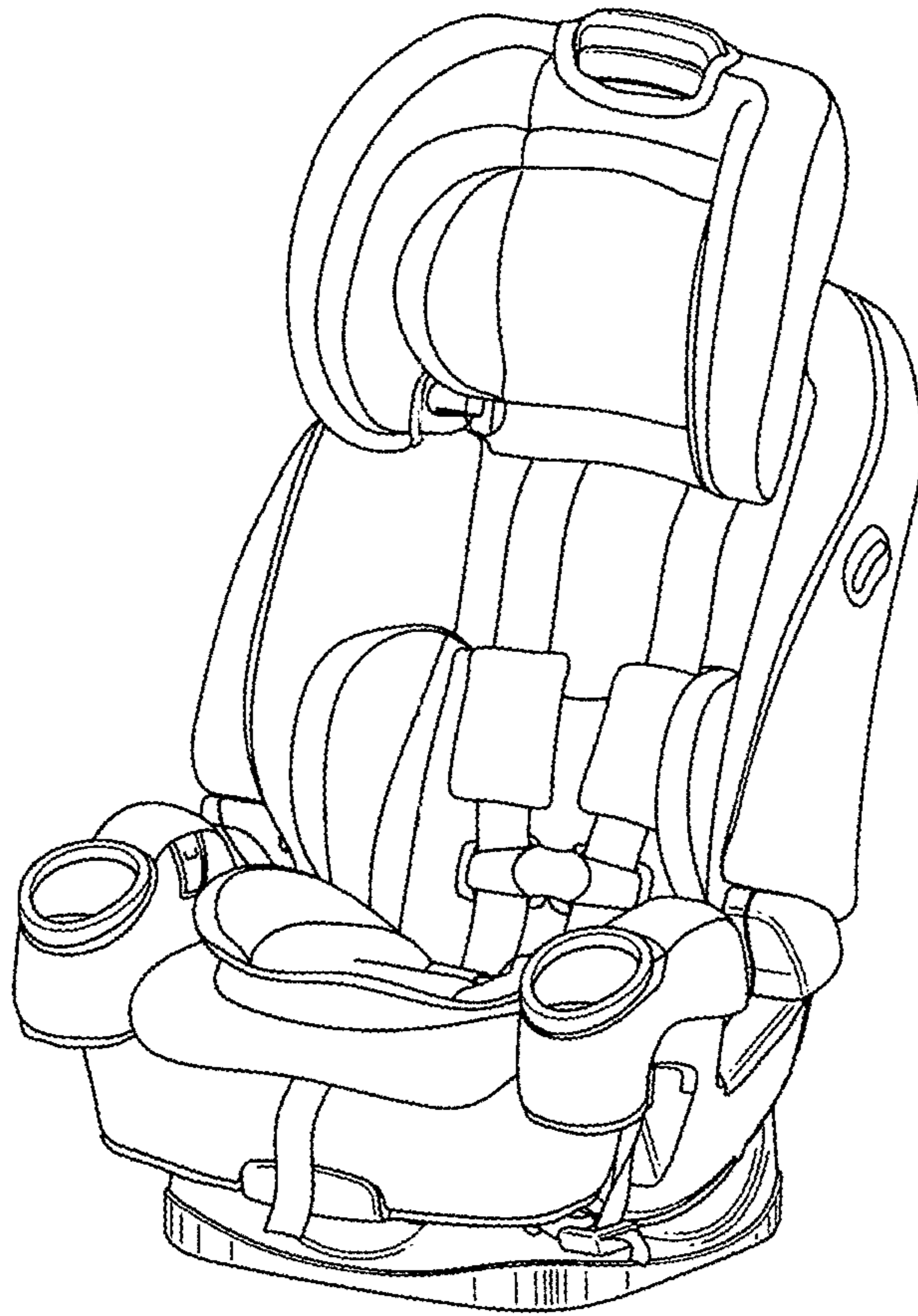


FIG. 1

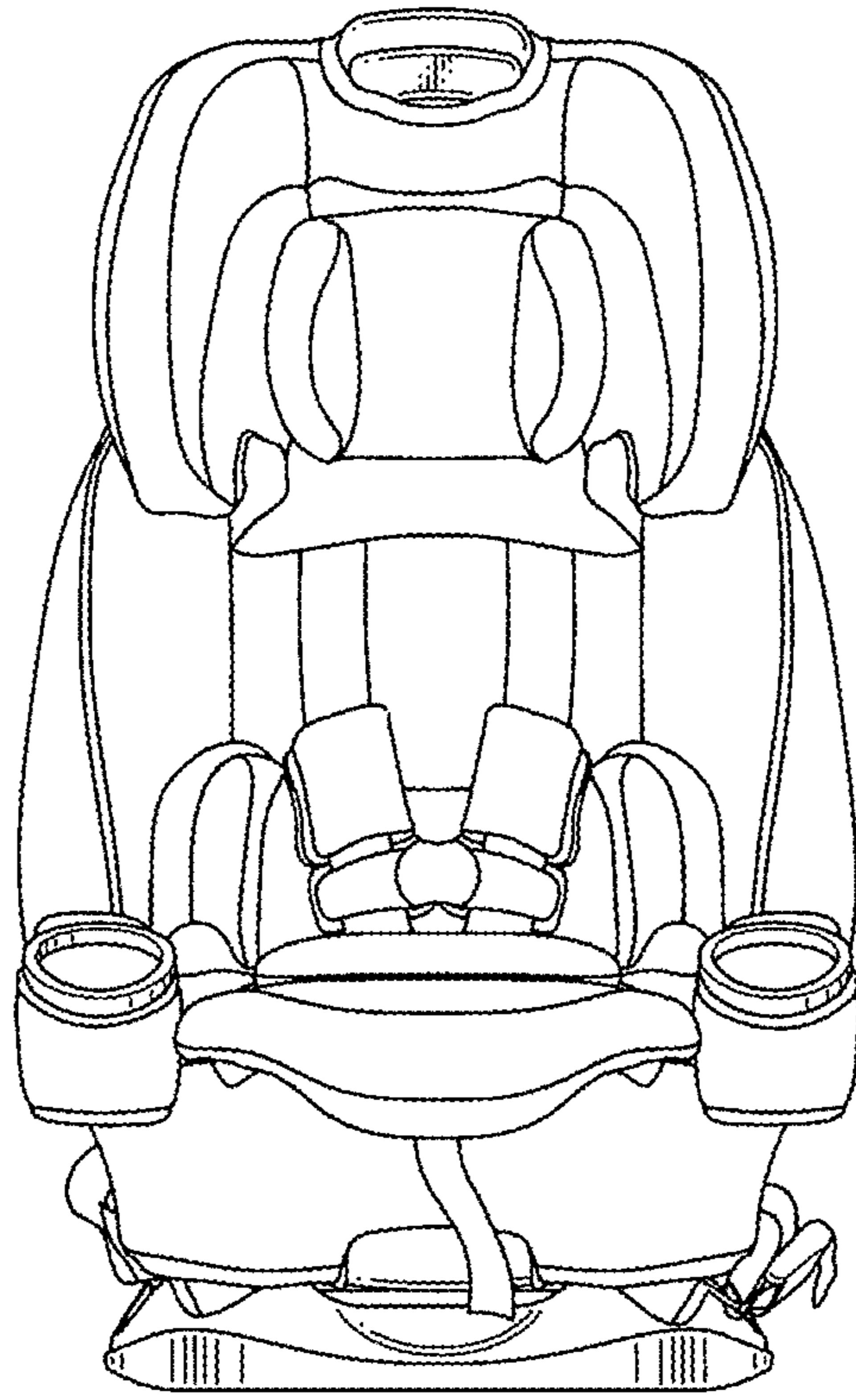


FIG. 2

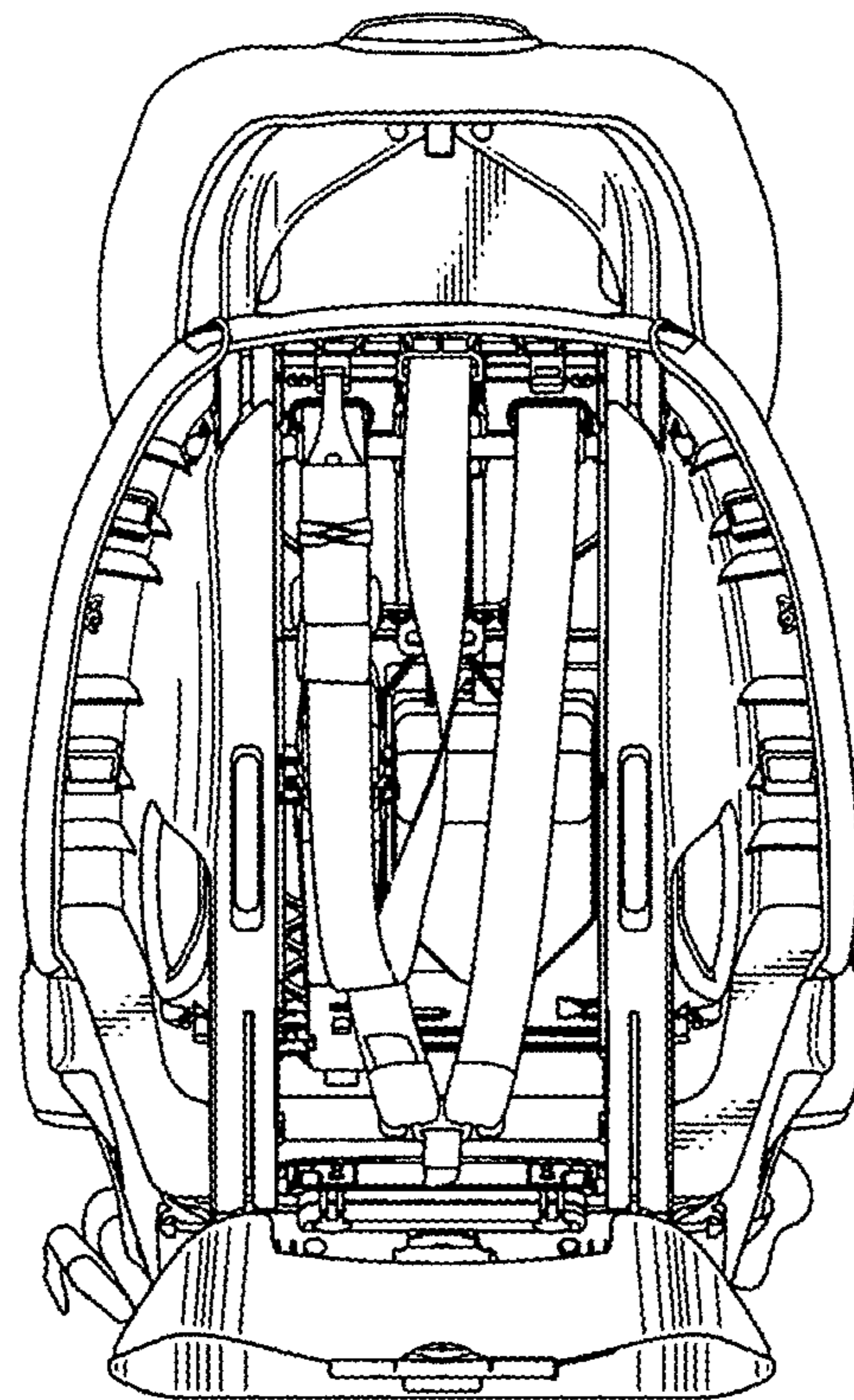


FIG. 3

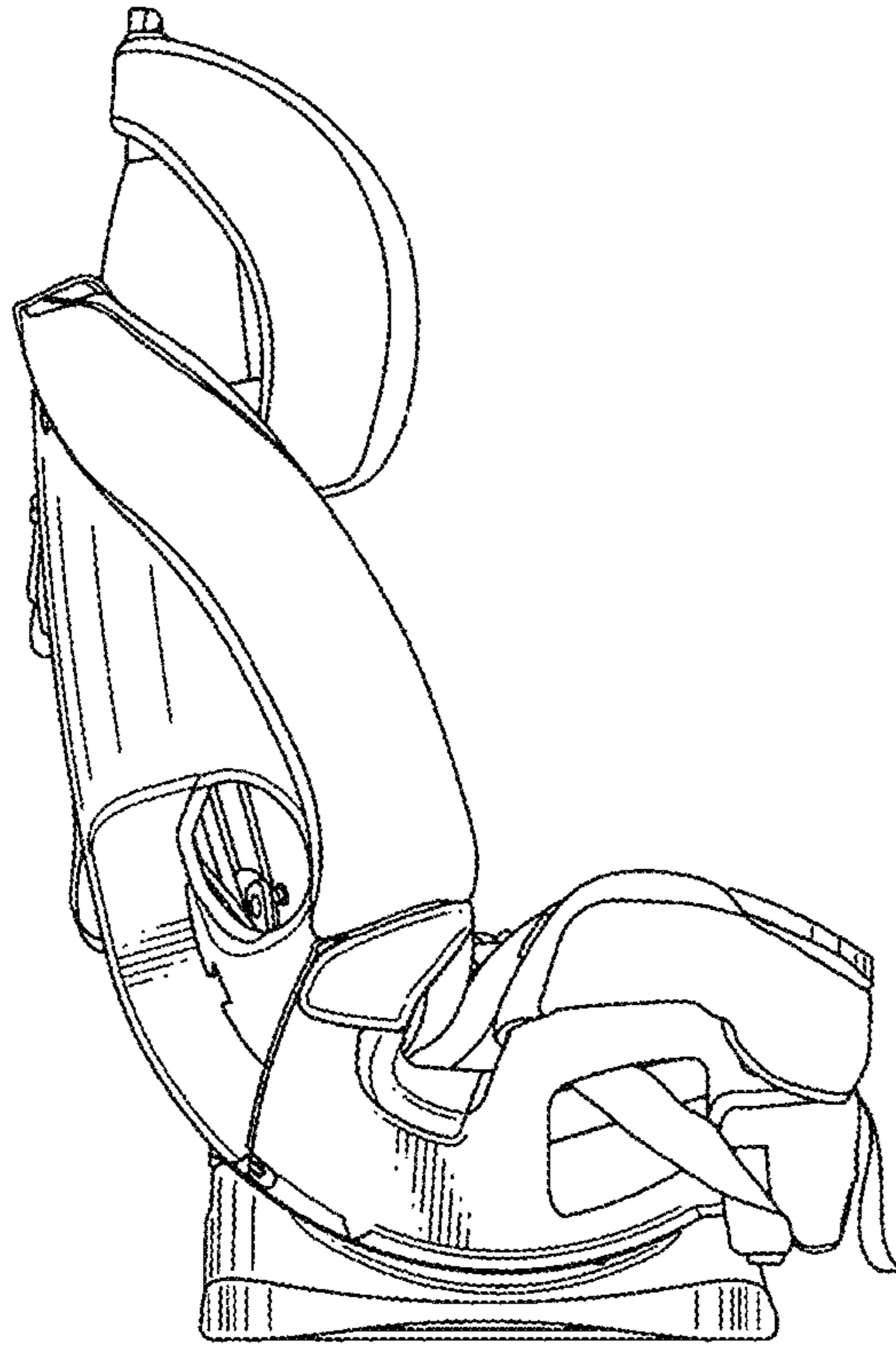


FIG. 4

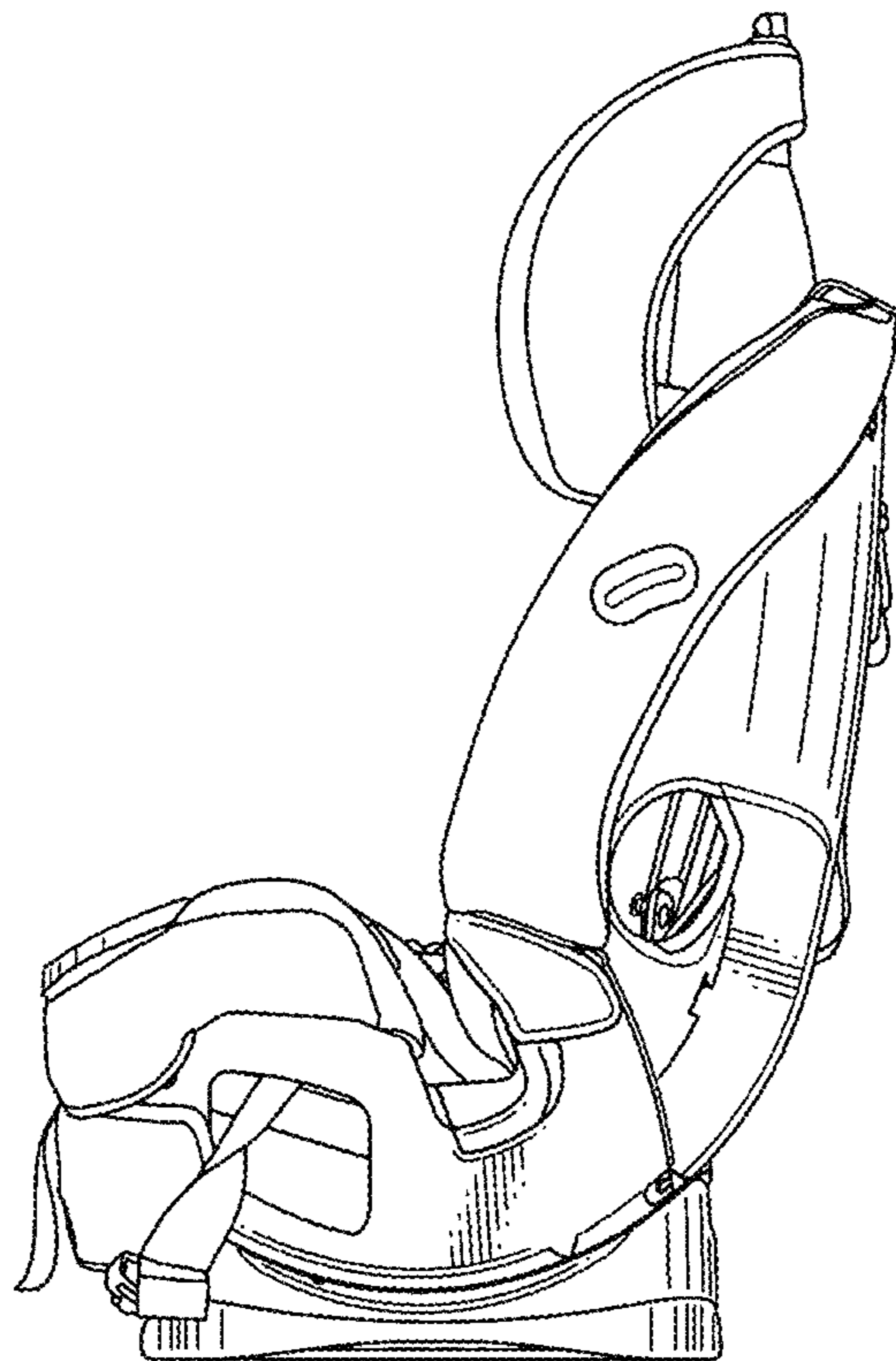


FIG. 5

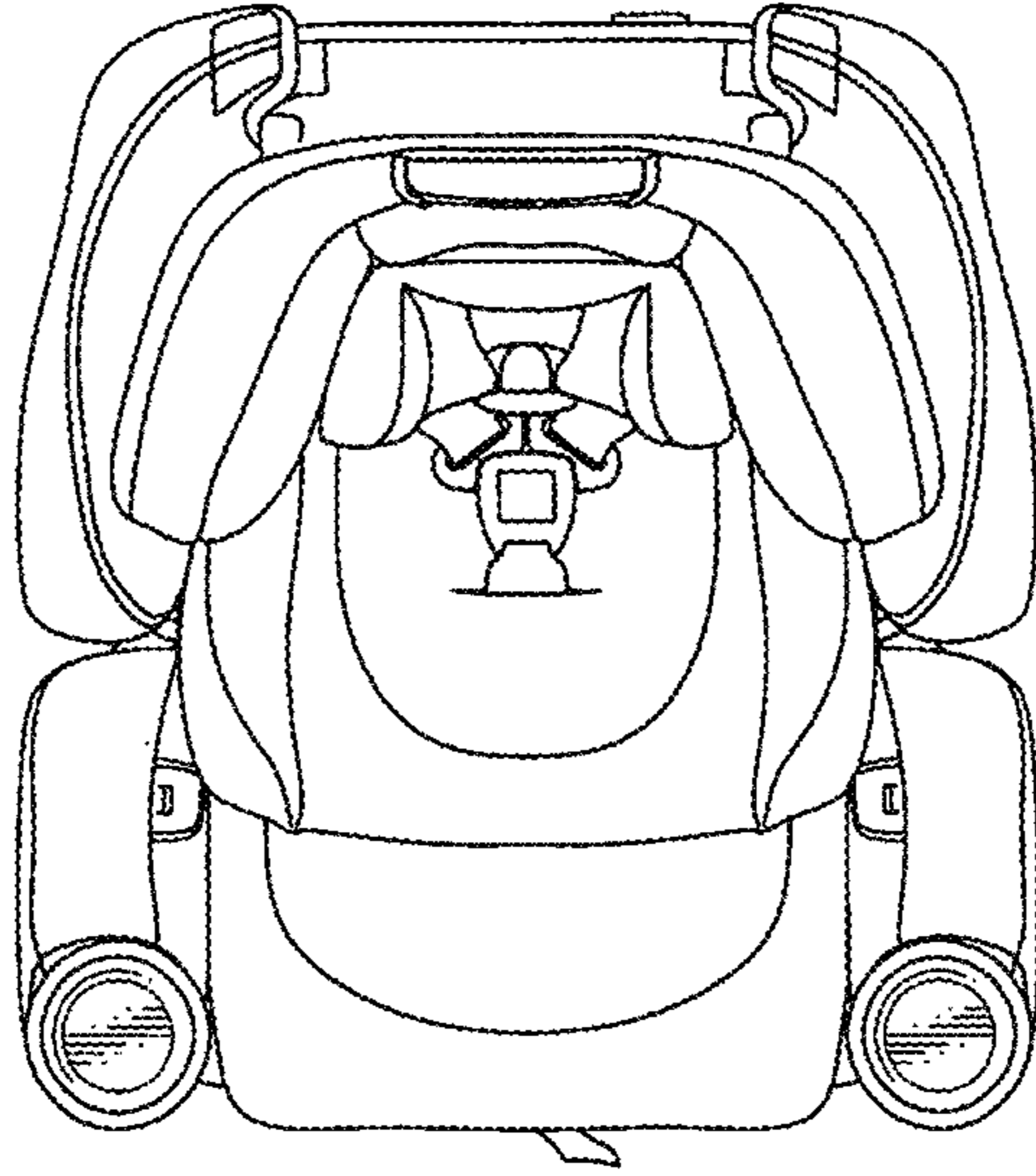


FIG. 6

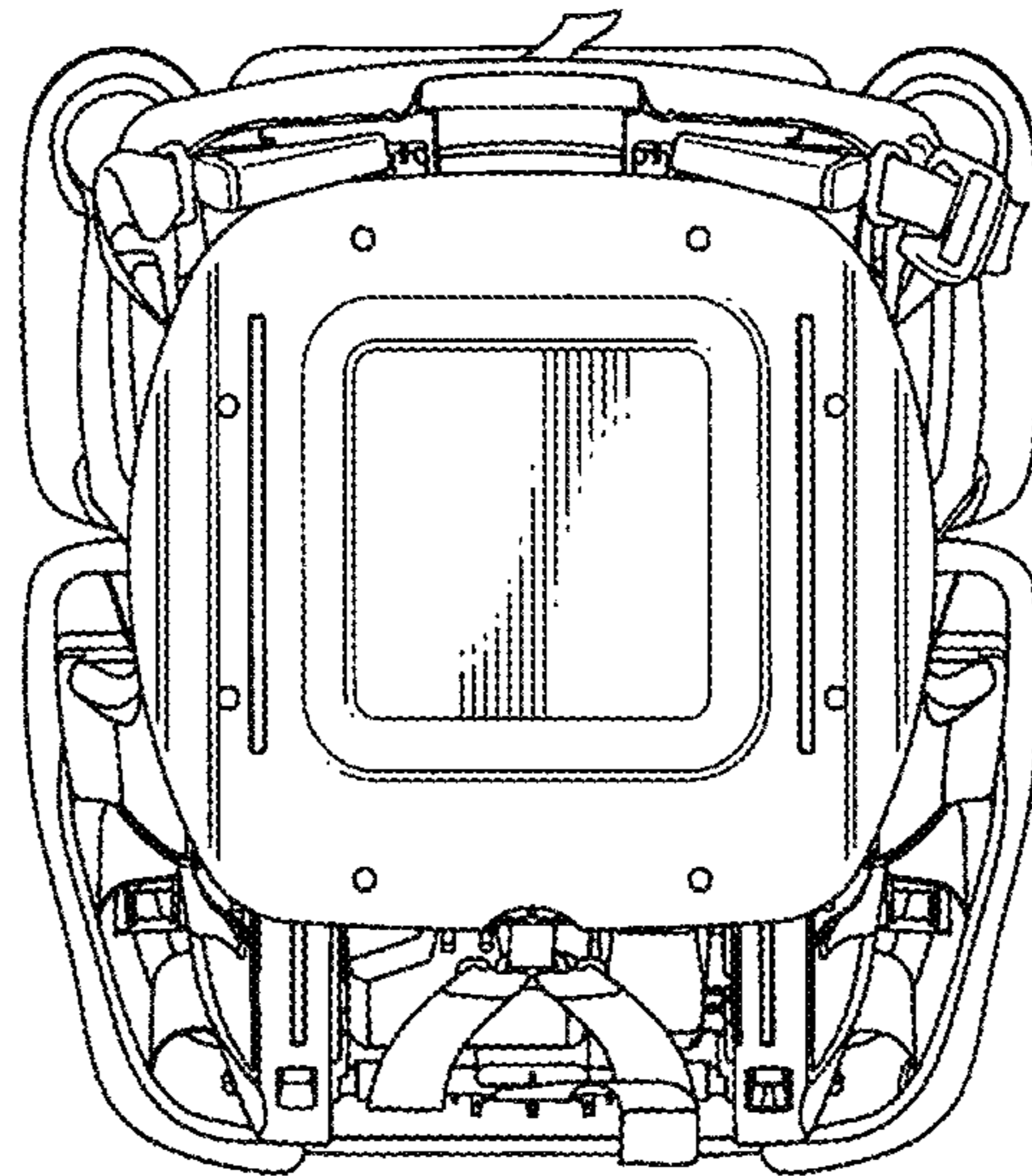


FIG. 7



FIG. 8