



US00D943293S

(12) **United States Design Patent**
Kim

(10) **Patent No.:** **US D943,293 S**
(45) **Date of Patent:** **** Feb. 15, 2022**

(54) **HANGER FOR CLOTHING CARE MACHINE**

(71) Applicant: **LG ELECTRONICS INC.**, Seoul (KR)

(72) Inventor: **Kihyuk Kim**, Seoul (KR)

(73) Assignee: **LG ELECTRONICS INC.**, Seoul (KR)

(**) Term: **15 Years**

(21) Appl. No.: **29/757,846**

(22) Filed: **Nov. 10, 2020**

(30) **Foreign Application Priority Data**

May 21, 2020 (KR) 30-2020-0022489

(51) **LOC (13) Cl.** **06-08**

(52) **U.S. Cl.**
USPC **D6/326; D32/6**

(58) **Field of Classification Search**

USPC D6/315-328; D8/349; D32/6
CPC A47G 25/28; A47G 25/487; A47G 25/485;
A47G 25/473; A47G 25/66; A47G 25/36;
A47G 25/48; A47G 25/50; A47G 25/34;
A47G 25/445; A47G 2025/1492; A47F
5/0006; A47F 7/19

See application file for complete search history.

(56) **References Cited**

U.S. PATENT DOCUMENTS

3,028,974 A * 4/1962 Loeb A47G 25/32
211/113
D195,132 S * 4/1963 Harry, Jr. D8/355
D219,989 S * 2/1971 Grantonic D6/320
D310,762 S * 9/1990 Embree D6/569
D469,262 S * 1/2003 Umbarger D6/320

6,871,749 B2 * 3/2005 Bostick A47G 25/746
211/94.01
7,137,515 B1 * 11/2006 Lawson A47G 25/0692
211/85.3
8,028,844 B2 * 10/2011 Costa A47G 25/746
211/96
D732,775 S * 6/2015 Chung D32/25
D775,476 S * 1/2017 Corless D6/320
D785,346 S * 5/2017 Boyle D6/323
D885,773 S * 6/2020 Yoon D6/326
D901,193 S * 11/2020 Liu D6/326
D935,115 S * 11/2021 Kim D32/6
2012/0240425 A1 * 9/2012 Park D06F 58/10
34/202

* cited by examiner

Primary Examiner — Lauren R Calve

(74) *Attorney, Agent, or Firm* — Birch, Stewart, Kolasch & Birch, LLP

(57) **CLAIM**

I claim the ornamental design for a hanger for clothing care machine, as shown and described.

DESCRIPTION

FIG. 1 is a perspective view of a hanger for clothing care machine showing the new design;
FIG. 2 is a front elevation view thereof;
FIG. 3 is a rear elevation view thereof;
FIG. 4 is a left-side elevation view thereof;
FIG. 5 is a right-side elevation view thereof;
FIG. 6 is a top plan view thereof;
FIG. 7 is a bottom plan view thereof; and,
FIG. 8 is a perspective view in a state of use thereof.
The broken lines in FIGS. 1 to 6 represent portions of the hanger for clothing care machine that form no part of the claimed design. The broken lines in FIG. 8 are included for the purpose of illustrating environmental structure and form no part of the claimed design.

1 Claim, 8 Drawing Sheets

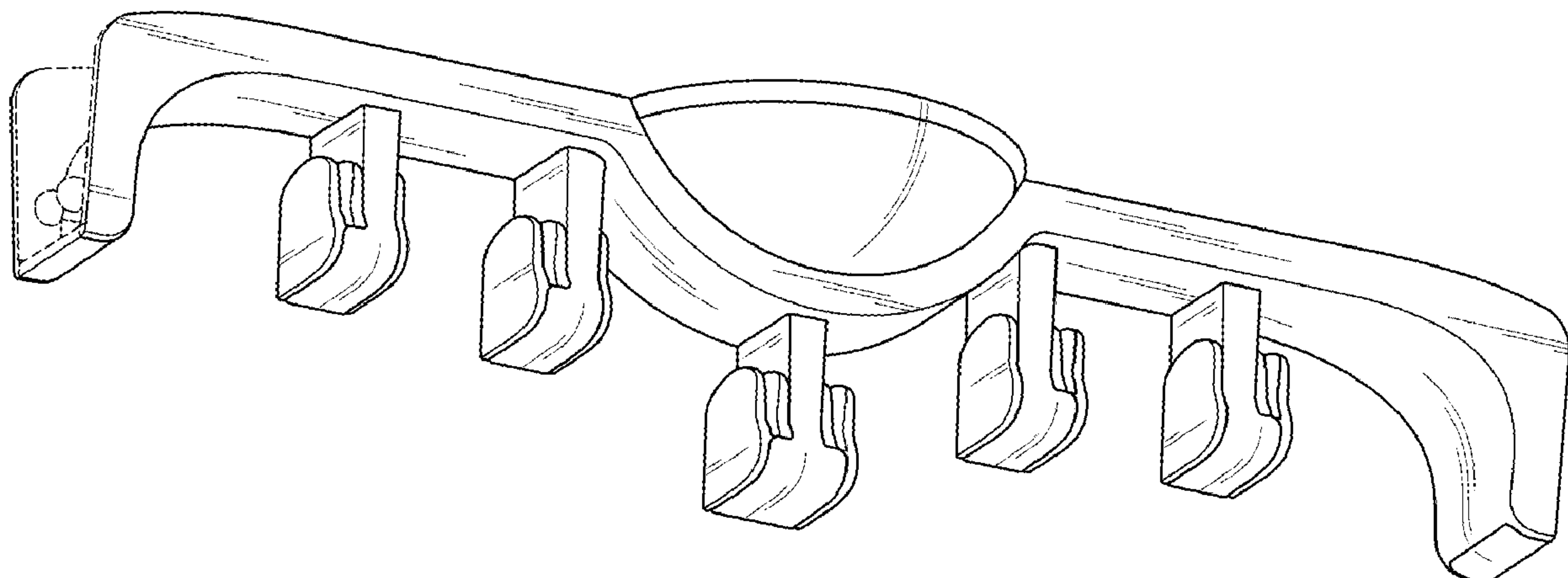


FIG. 1

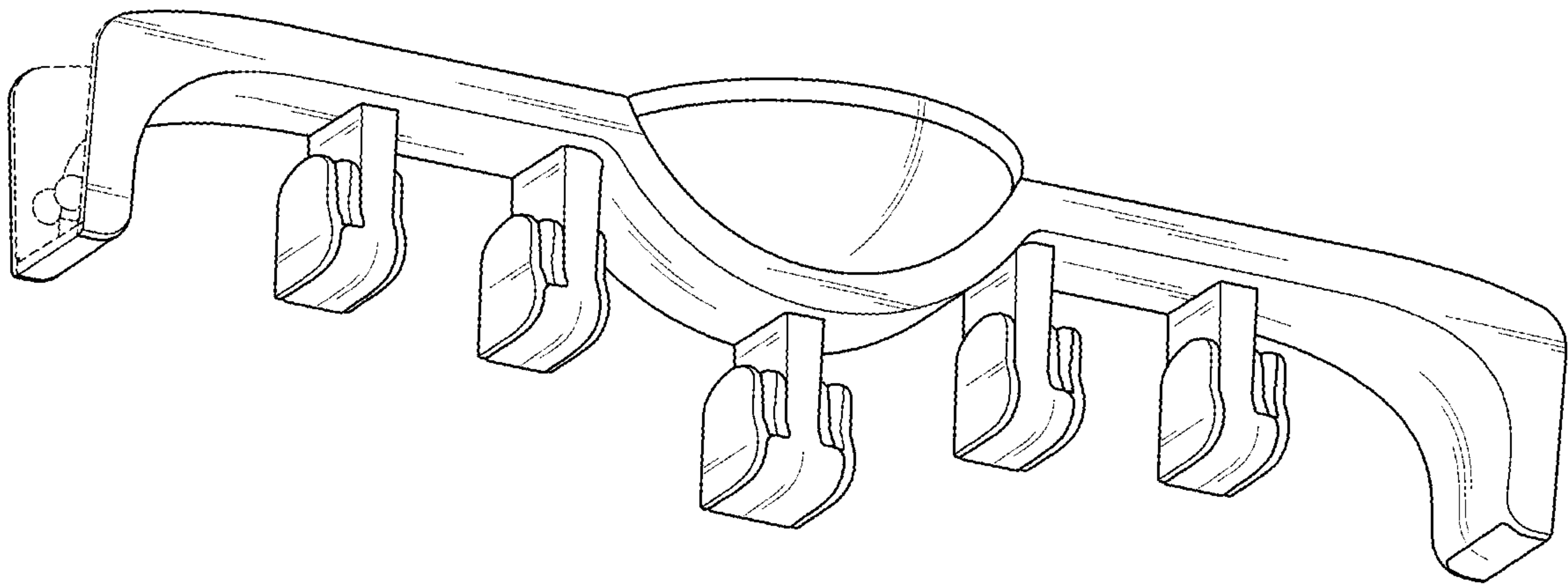


FIG. 2

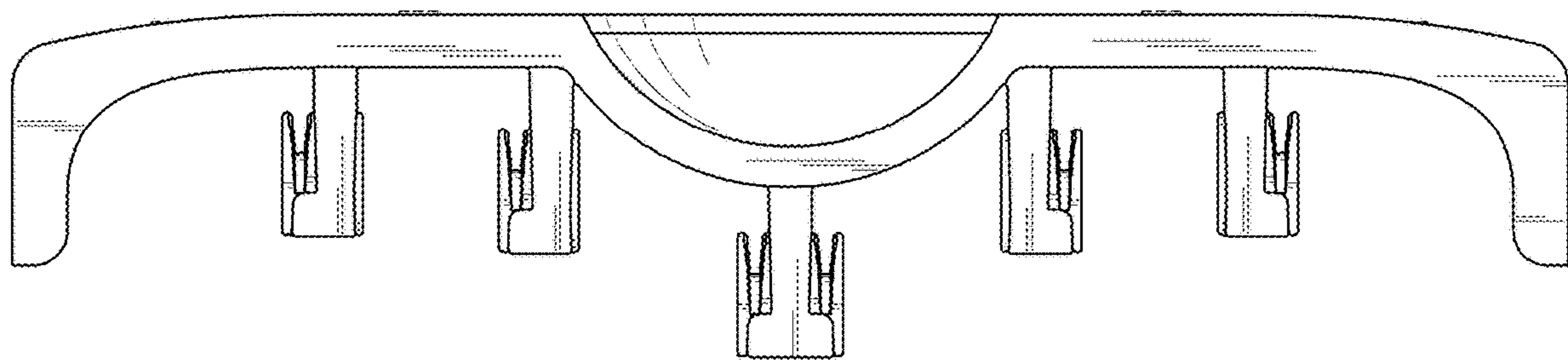


FIG. 3

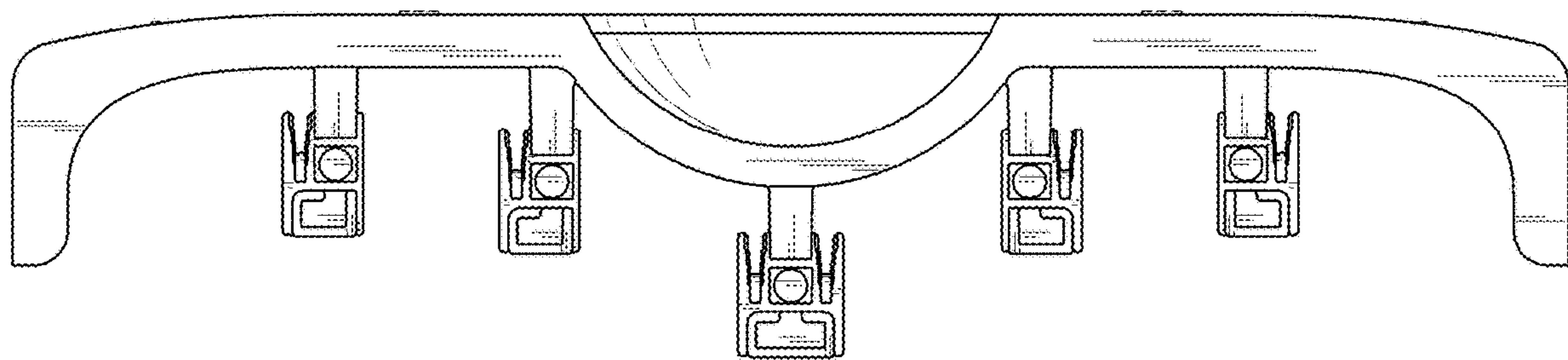


FIG. 4

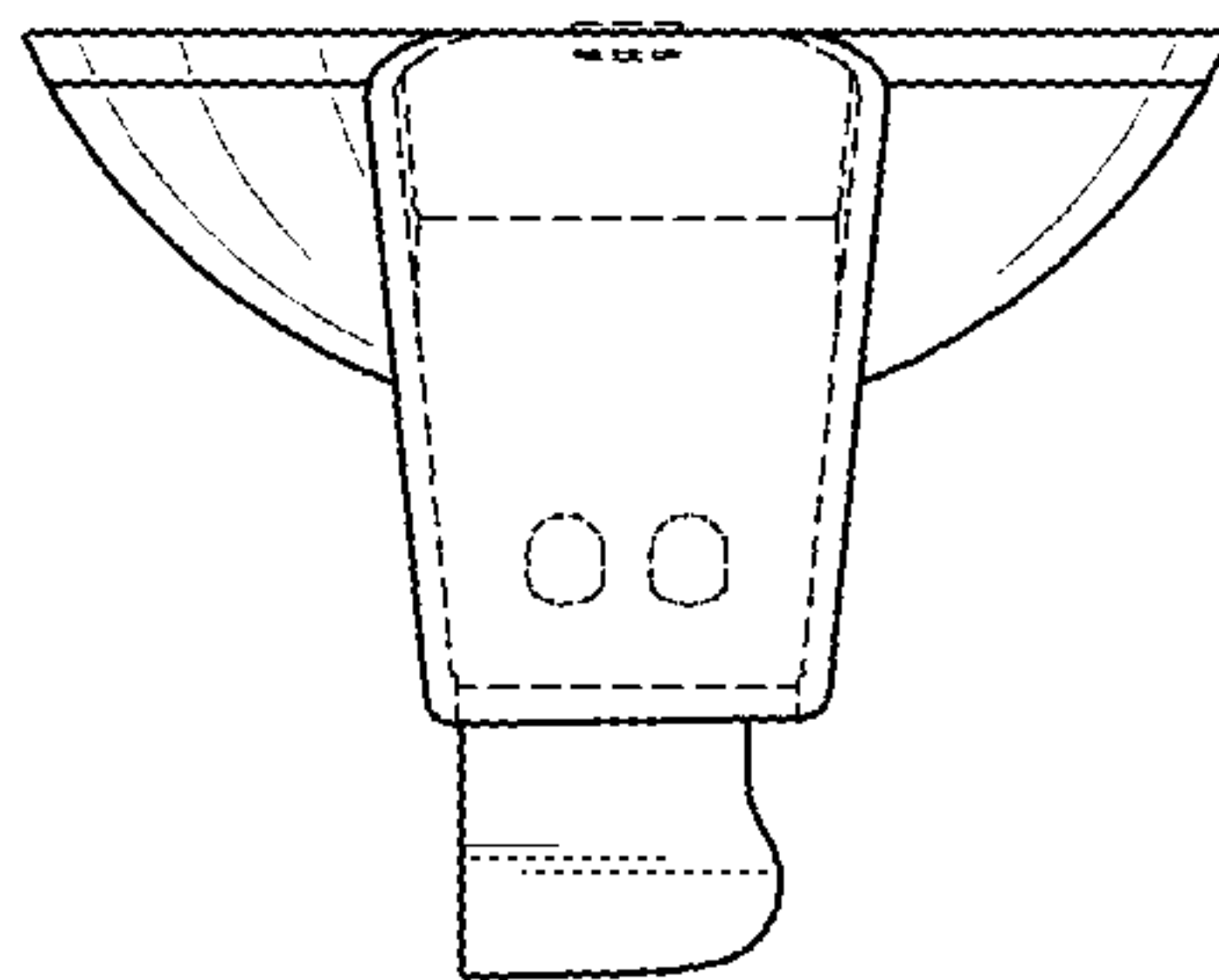


FIG. 5

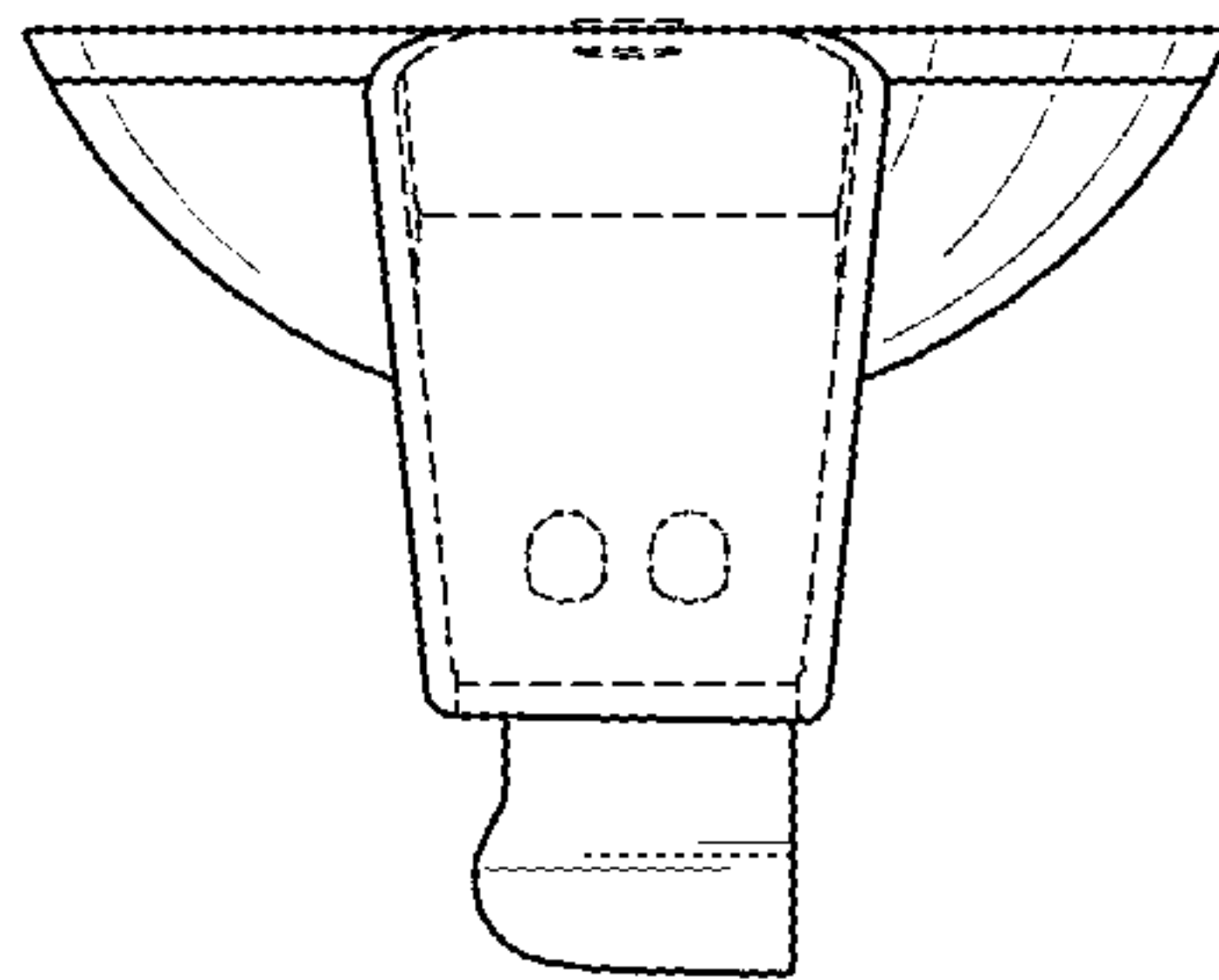


FIG. 6

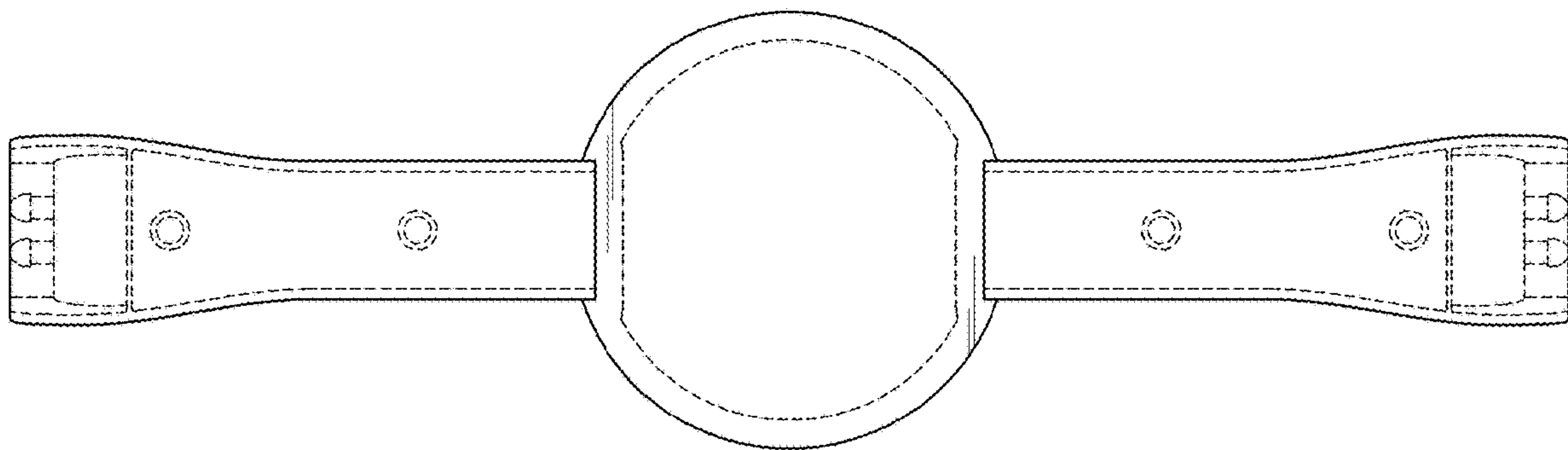


FIG. 7

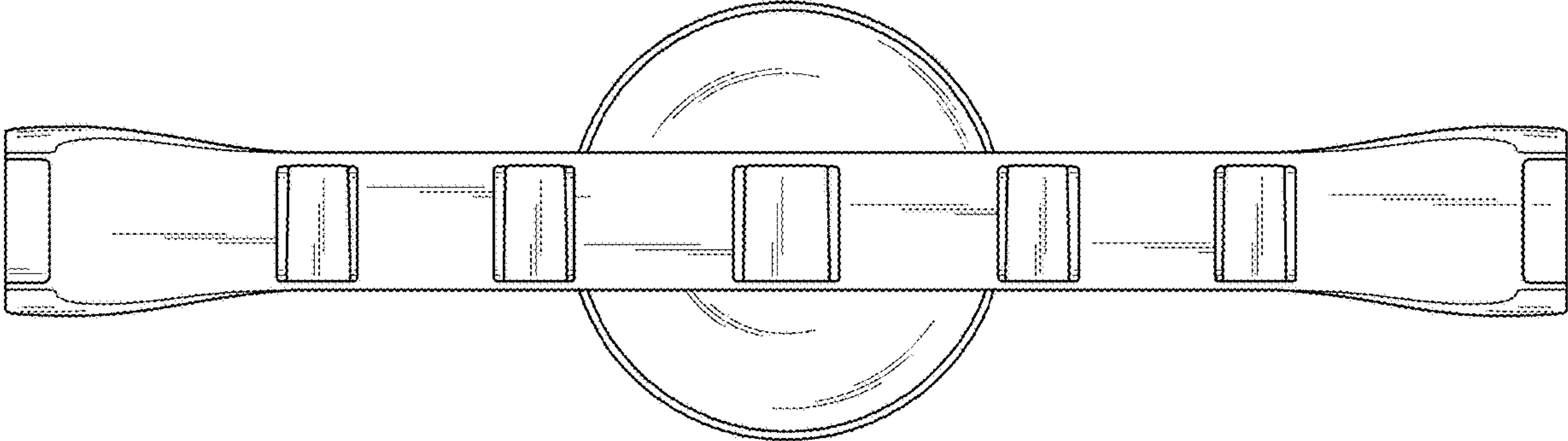


FIG. 8

