

US00D943292S

(12) **United States Design Patent** (10) **Patent No.:** **US D943,292 S**
Liu (45) **Date of Patent:** **** Feb. 15, 2022**

(54) **SHADOWBOX**
(71) Applicant: **Shenzhen Likaiwei Electronic Technology Co., Ltd., Shenzhen (CN)**
(72) Inventor: **Xiao Liu, Shenzhen (CN)**
(73) Assignee: **Shenzhen Likaiwei Electronic Technology Co., Ltd., Shenzhen (CN)**

D405,473 S * 2/1999 Tikhonski D20/42
D430,218 S * 8/2000 Godwin D20/10
D461,721 S * 8/2002 Ewing D10/2
D513,562 S * 1/2006 Boffo D6/300
10,888,181 B1 * 1/2021 Williams A47G 1/0616
2003/0234185 A1 * 12/2003 Flagg A45C 11/16
206/6.1
2004/0261307 A1 * 12/2004 Siegel A47G 1/0616
40/800

(**) Term: **15 Years**
(21) Appl. No.: **29/778,415**
(22) Filed: **Apr. 13, 2021**
(51) **LOC (13) Cl.** **06-07**
(52) **U.S. Cl.**
USPC **D6/300; D6/559**
(58) **Field of Classification Search**
USPC D6/300, 301, 302, 303, 304, 307, 308,
D6/309, 310, 311, 312, 313, 314, 559,
D6/657, 659, 660, 661; D10/21, 24;
D20/10, 27
CPC .. A47F 3/00; A47F 3/005; A47F 3/043; A47F
3/0434; A47F 3/125; A47F 2003/008;
A47G 1/06; A47G 1/0605; A47G 1/12;
A47G 2001/0666

See application file for complete search history.

(56) **References Cited**

U.S. PATENT DOCUMENTS

D243,136 S * 1/1977 Foster D6/559
D247,728 S * 4/1978 Nichols D6/559
D321,451 S * 11/1991 Greve D6/559
D366,796 S * 2/1996 Crowley D6/512
D369,244 S 4/1996 Baker
D390,364 S 2/1998 Johnsey
D391,406 S * 3/1998 Field D6/302
D403,534 S * 1/1999 Gregory D6/661

OTHER PUBLICATIONS

HSicity LED Shadow Box Frame [online], [site visited Dec. 16, 2021]. Available from internet, URL: <https://www.amazon.ca/HSicity-Display-Keepsakes-Memorabilia-Military/dp/B08THGF49T/ref=sr_1_1?keywords=B08THGF49T&qid=1639660692&sr=8-1&th=1>(Year: 2021).*

* cited by examiner

Primary Examiner — Cynthia Ramirez
Assistant Examiner — Xavier Marti-Santos
(74) *Attorney, Agent, or Firm* — ScienBiziP, P.C.

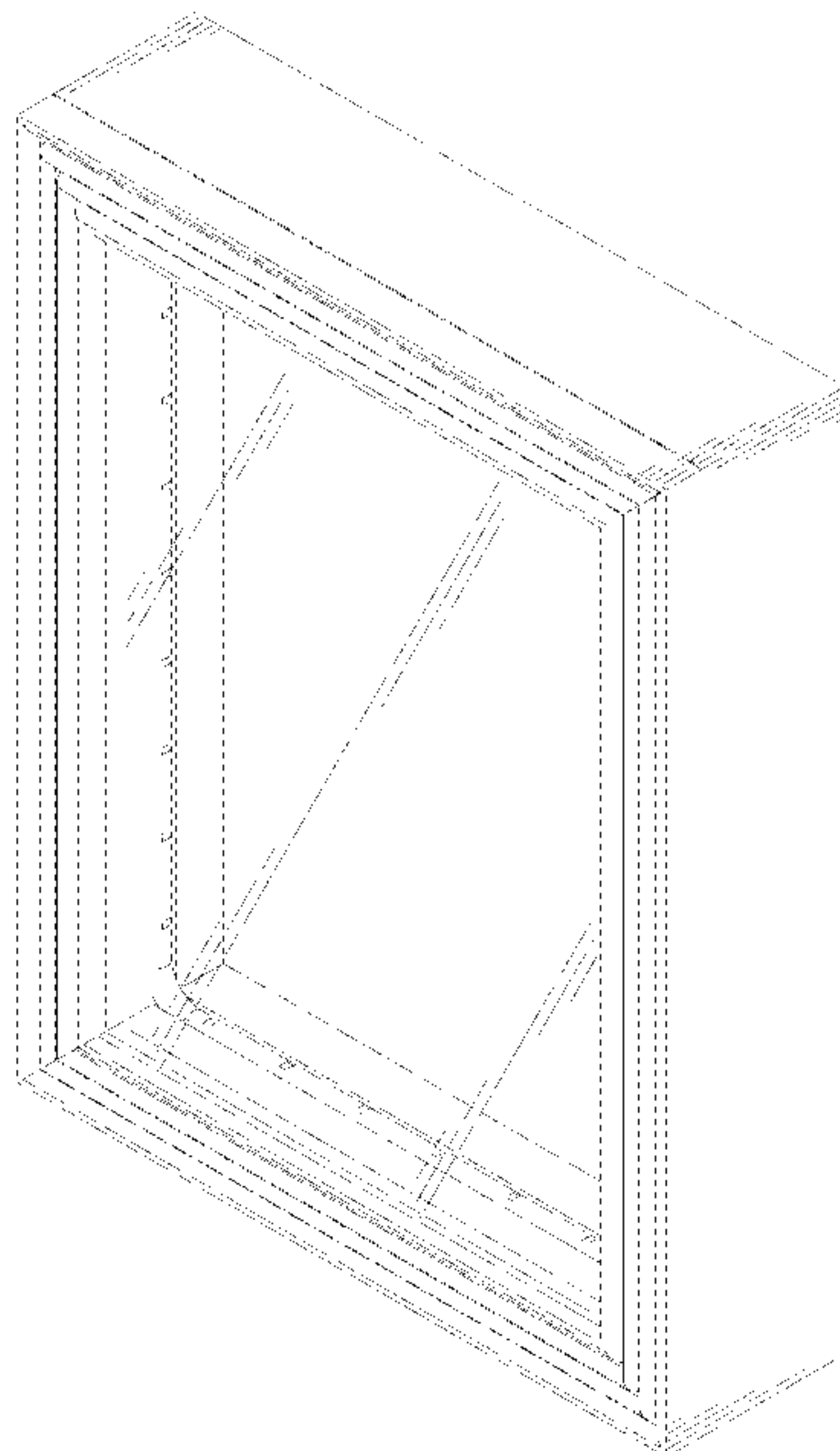
(57) **CLAIM**

The ornamental design for a shadowbox, as shown and described.

DESCRIPTION

FIG. 1 is a front, right, and top perspective view of a shadowbox, showing my design.
FIG. 2 is a rear, left, and bottom perspective view thereof.
FIG. 3 is a front elevation view thereof.
FIG. 4 is a rear elevation view thereof.
FIG. 5 is a left side elevation view thereof.
FIG. 6 is a right side elevation view thereof.
FIG. 7 is a top plan view thereof; and,
FIG. 8 is a bottom plan view thereof.

1 Claim, 8 Drawing Sheets



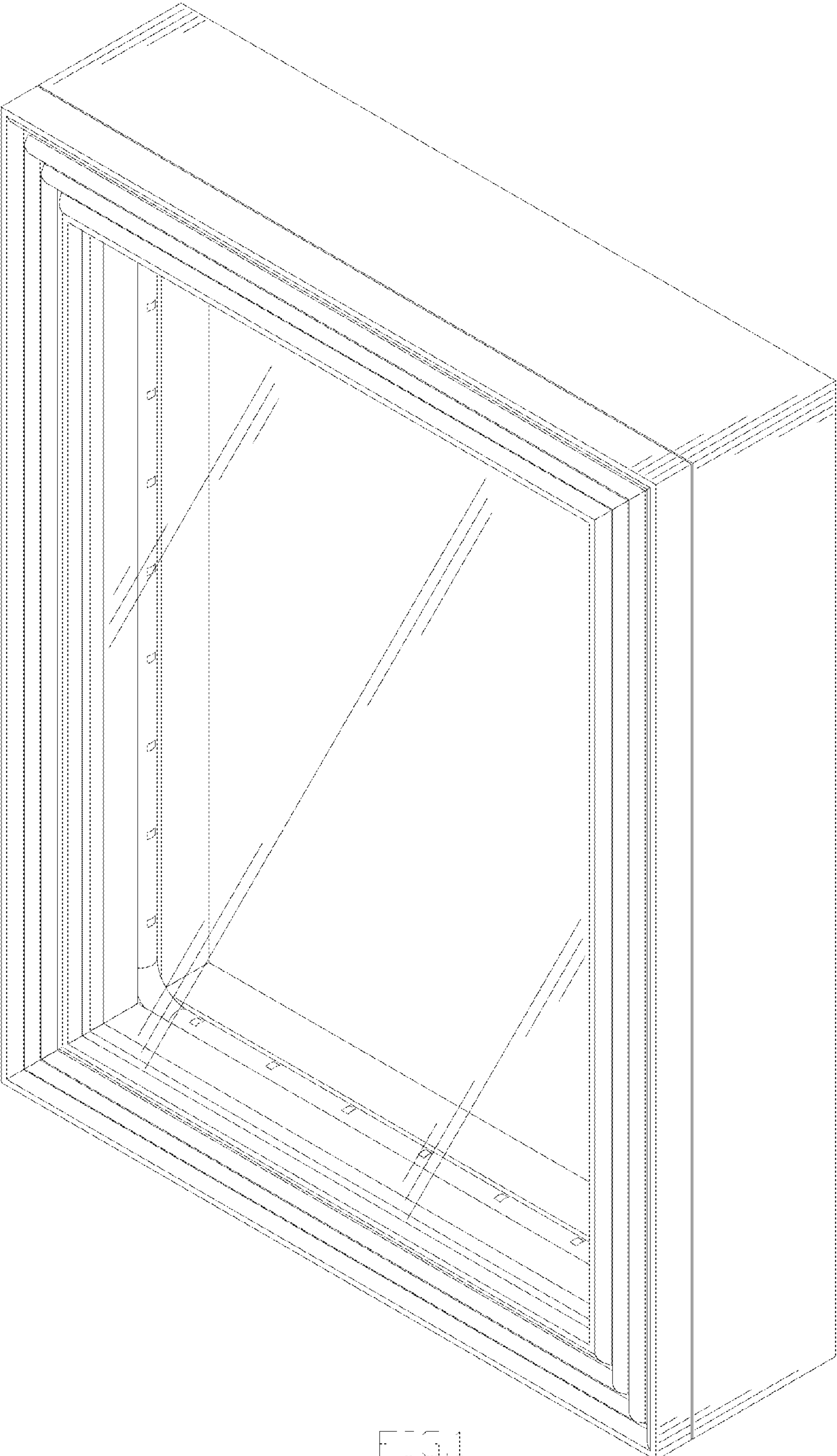


FIG. 1

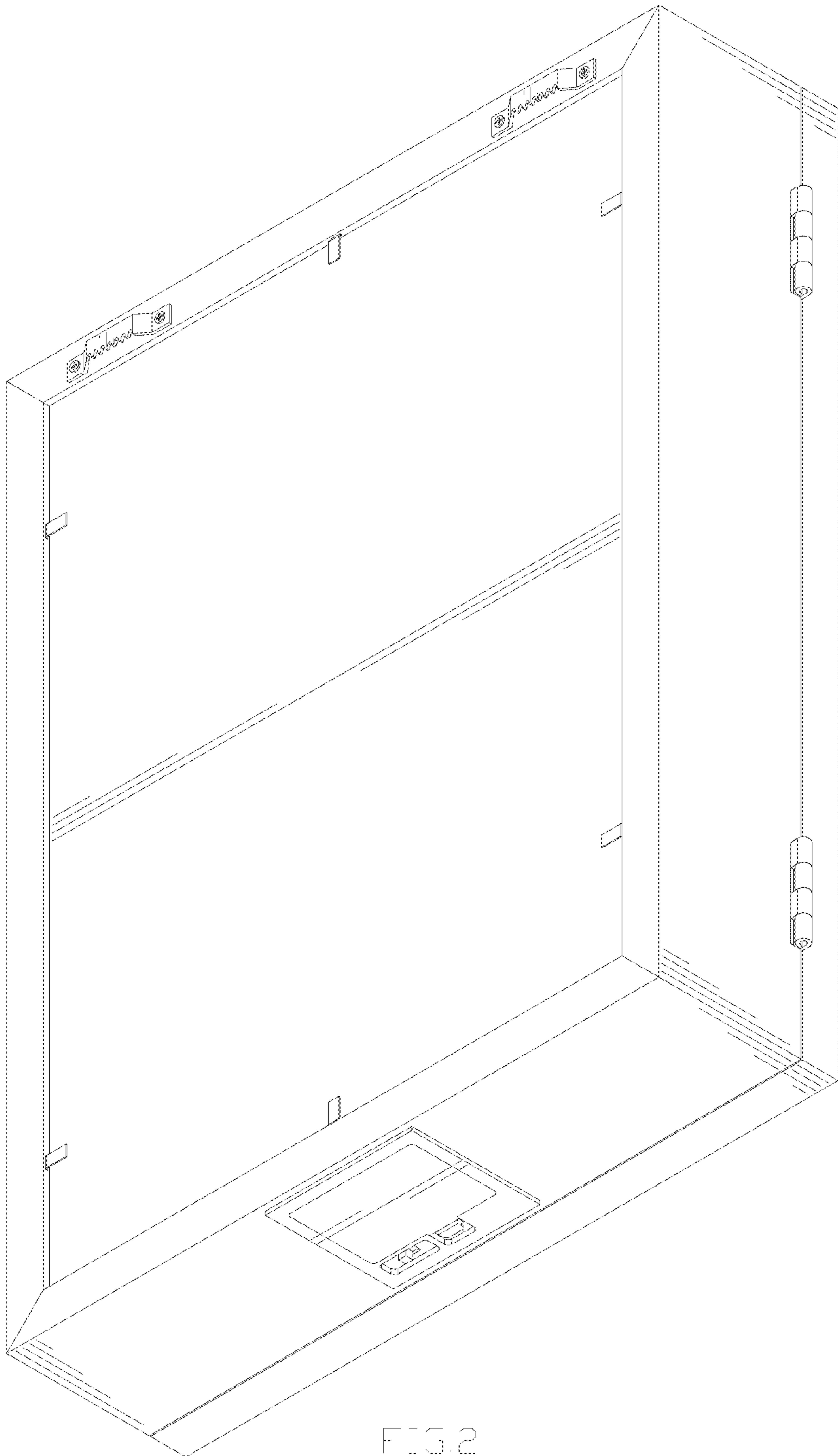


FIG. 2

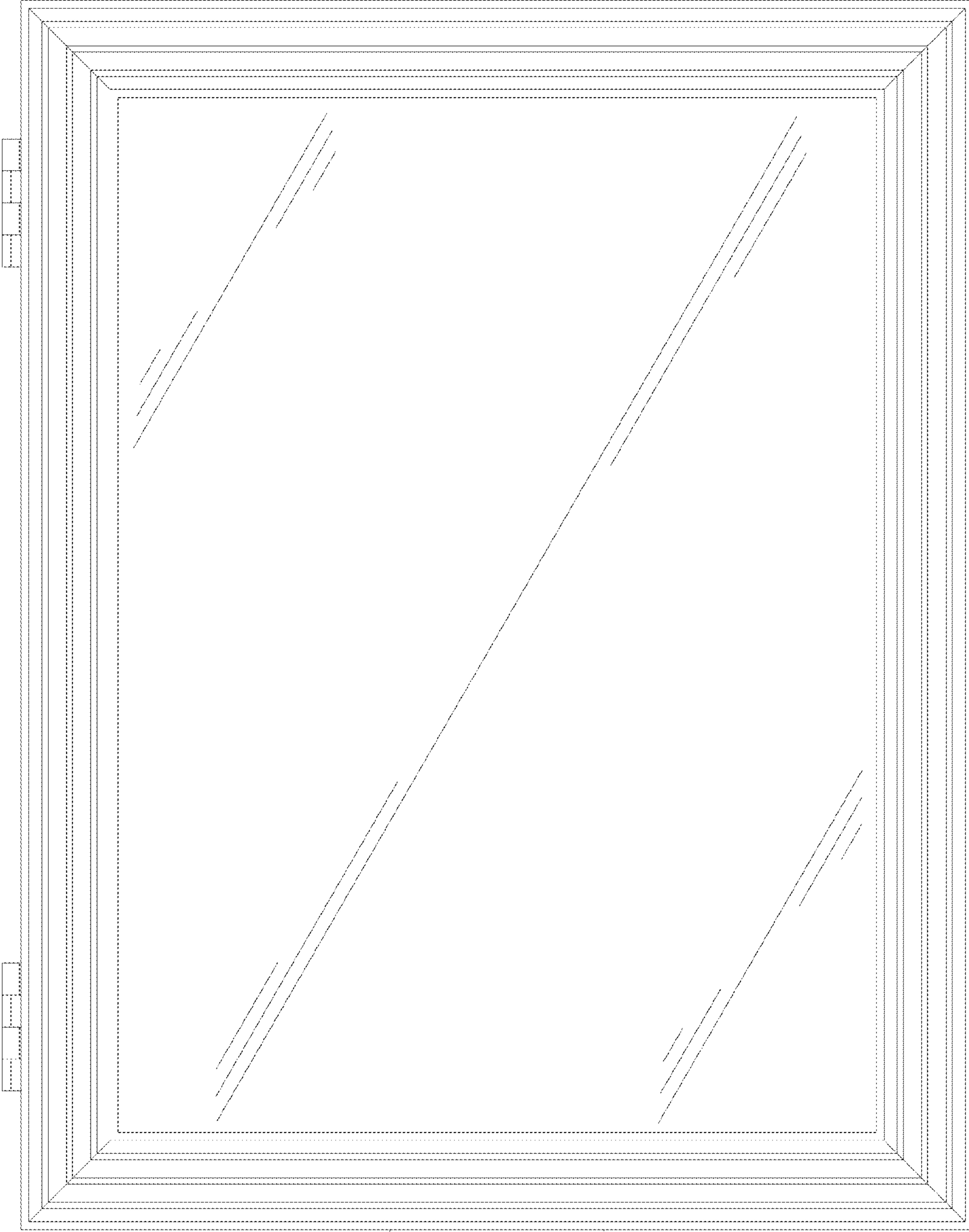


FIG.3

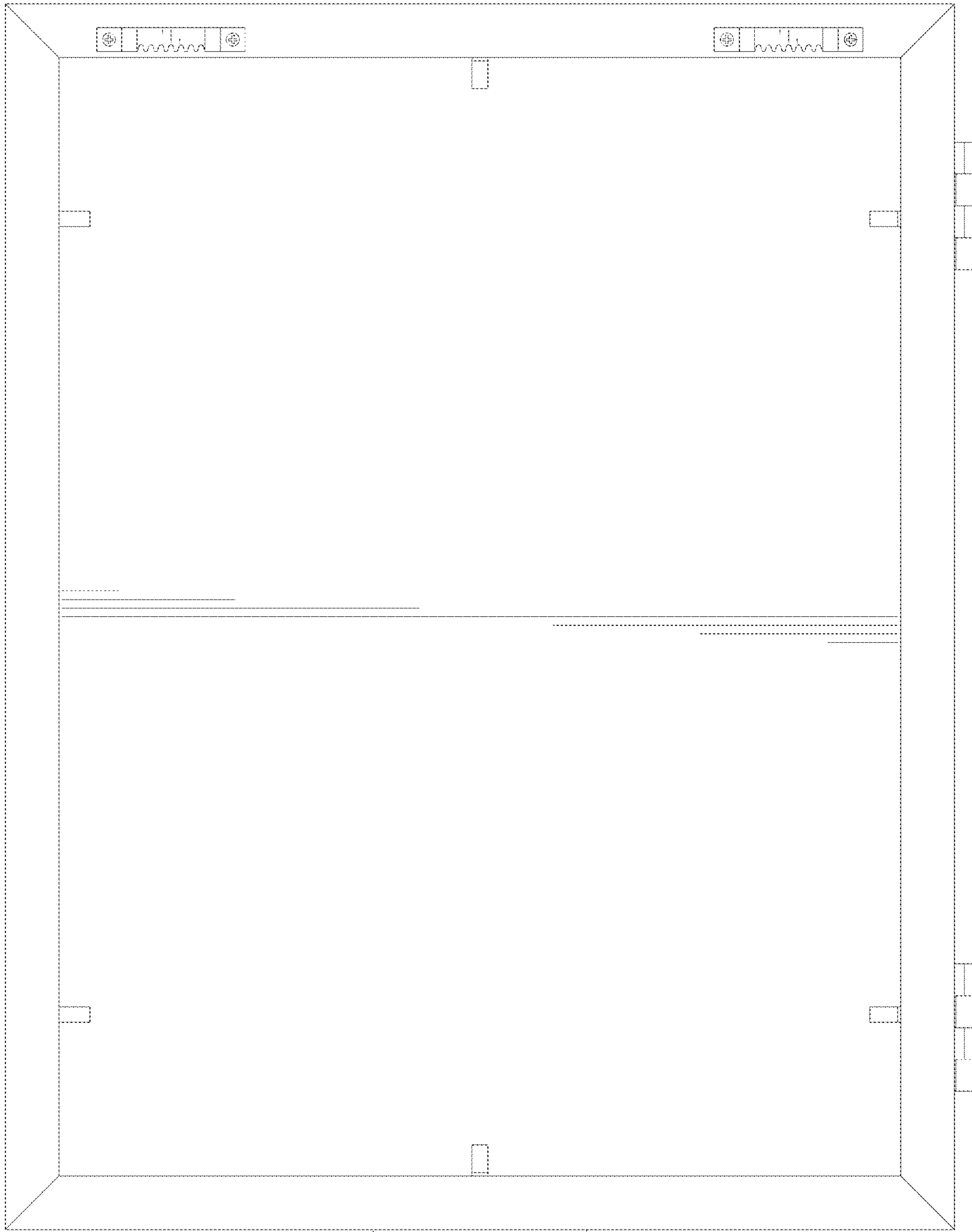


FIG.4

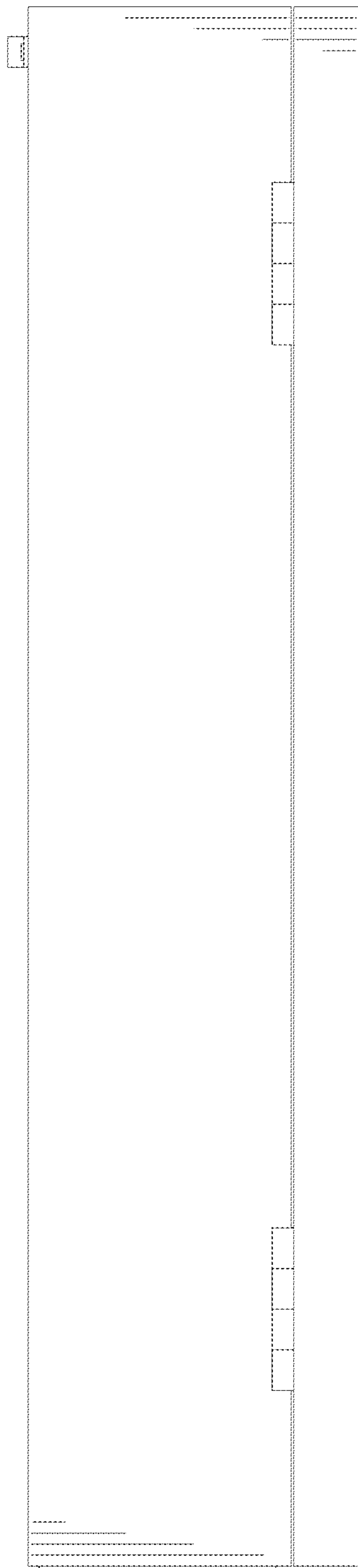


FIG. 5

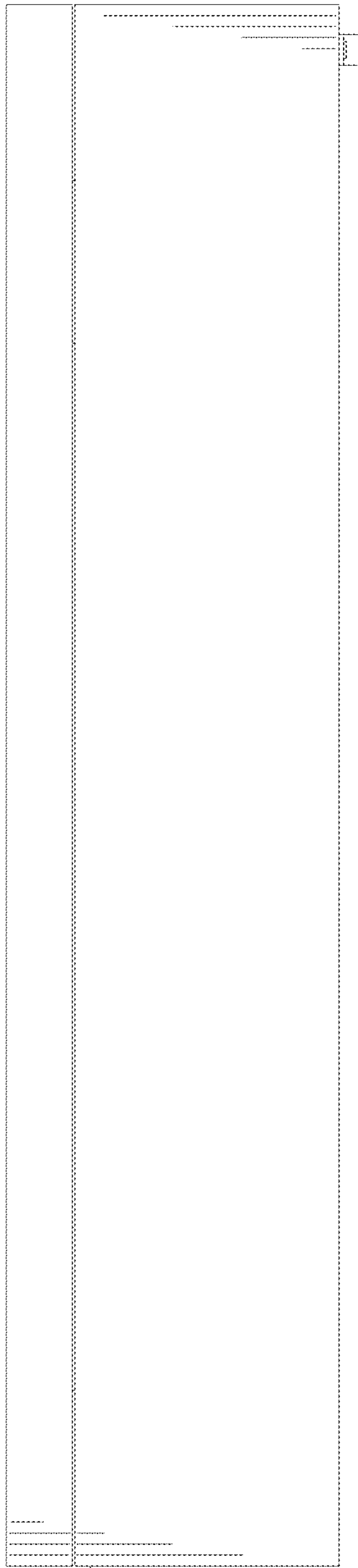


FIG. 6

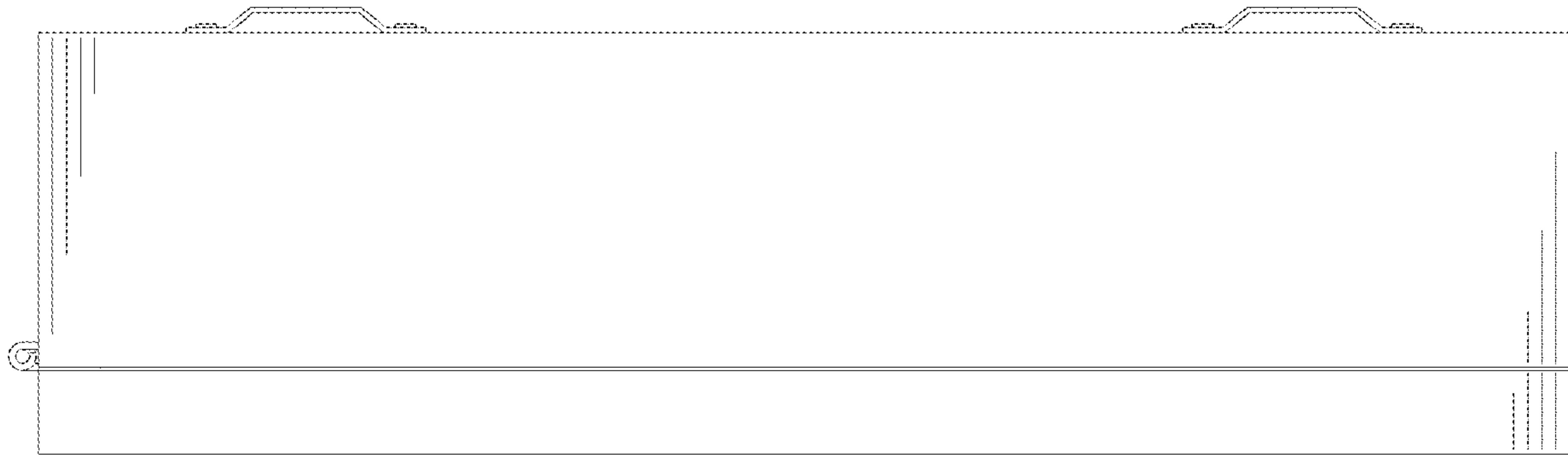


FIG. 7

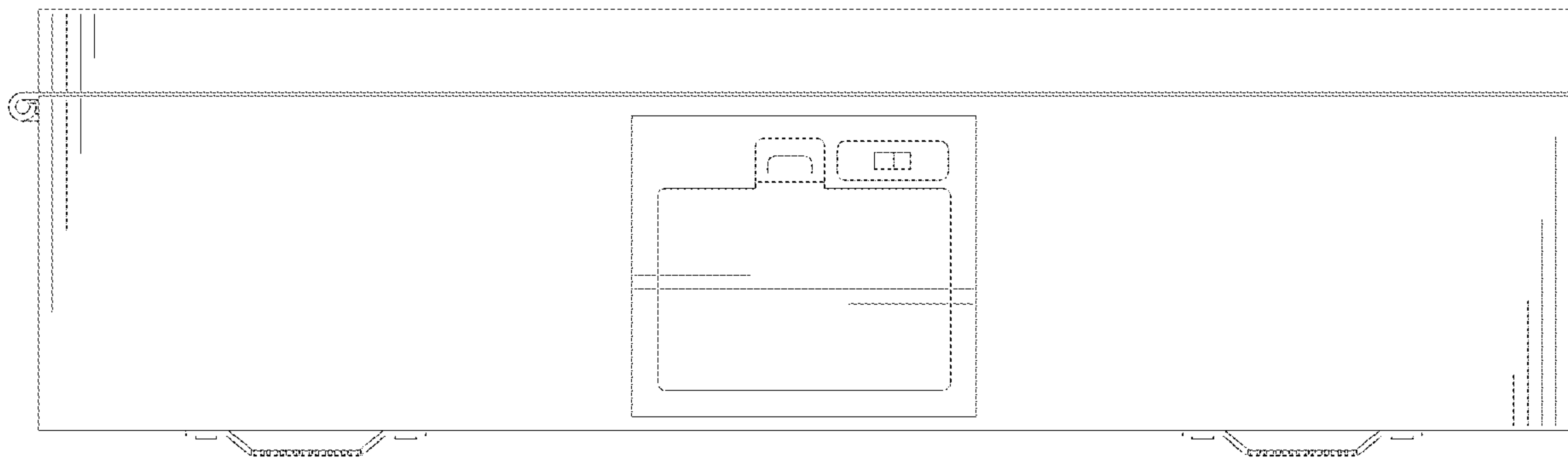


FIG.8