



US00D943287S

(12) **United States Design Patent** (10) **Patent No.:** **US D943,287 S**
Rennette (45) **Date of Patent:** **** Feb. 15, 2022**

- (54) **HAIR BRUSH**
- (71) Applicant: **Olivia Garden International Inc.,**
Walnut Creek, CA (US)
- (72) Inventor: **Jean Rennette,** Walnut Creek, CA (US)
- (73) Assignee: **Olivia Garden International, Inc.,**
Walnut Creek, CA (US)
- (**) Term: **15 Years**
- (21) Appl. No.: **29/800,845**
- (22) Filed: **Jul. 23, 2021**

D644,440 S	9/2011	Rennette	
D646,488 S	10/2011	Rennette	
D648,540 S	11/2011	Rennette	
D653,038 S *	1/2012	Park	D4/128
D679,910 S *	4/2013	Nimsgern	D4/128
D684,373 S	6/2013	Rennette	
D696,027 S *	12/2013	Park	D4/128
8,602,038 B2 *	12/2013	Choi	A45D 1/18 132/271
D720,137 S *	12/2014	Schuler	D4/128
D721,505 S *	1/2015	Schuler	D4/128
D730,060 S	5/2015	Rennette	
D730,061 S	5/2015	Rennette	
D739,660 S	9/2015	Rennette	
D749,326 S	2/2016	Rennette	
D759,477 S	6/2016	Rennette	
D762,069 S	7/2016	Rennette	
D766,588 S	9/2016	Rennette	
D775,839 S	1/2017	Rennette	
D782,829 S	4/2017	Park	
D787,834 S *	5/2017	Cheung	D4/128
D794,339 S *	8/2017	Morton	D4/138

Related U.S. Application Data

- (62) Division of application No. 29/768,250, filed on Jan. 28, 2021, now Pat. No. Des. 928,514.

- (51) **LOC (13) Cl.** **04-02**
- (52) **U.S. Cl.**
USPC **D4/128**
- (58) **Field of Classification Search**
USPC D4/128, 129, 131, 136, 138, 108, 109,
D4/119; D32/35, 51; 15/104.5, 104.16,
15/104.2, 104.31, 104.32, 164, 165, 206;
D28/65; D7/682; 452/298, 458
CPC A46B 2200/10; A46B 2200/104; A45D
2/10; A45D 1/00; A46D 1/003; A46D
3/087

See application file for complete search history.

(56) **References Cited**

U.S. PATENT DOCUMENTS

D555,907 S	11/2007	Rennette
D573,755 S	7/2008	Rennette
D621,163 S	8/2010	Rennette
D624,321 S	9/2010	Rennette
D627,568 S	11/2010	Rennette

Primary Examiner — Austin Murphy

(74) *Attorney, Agent, or Firm* — Volk & McElroy, LLP;
Michael D. Volk, Jr.

(57) **CLAIM**

The ornamental design for a hair brush, as shown.

DESCRIPTION

FIG. 1 is a perspective view of a hair brush showing my new design.

FIG. 2 is another perspective view thereof.

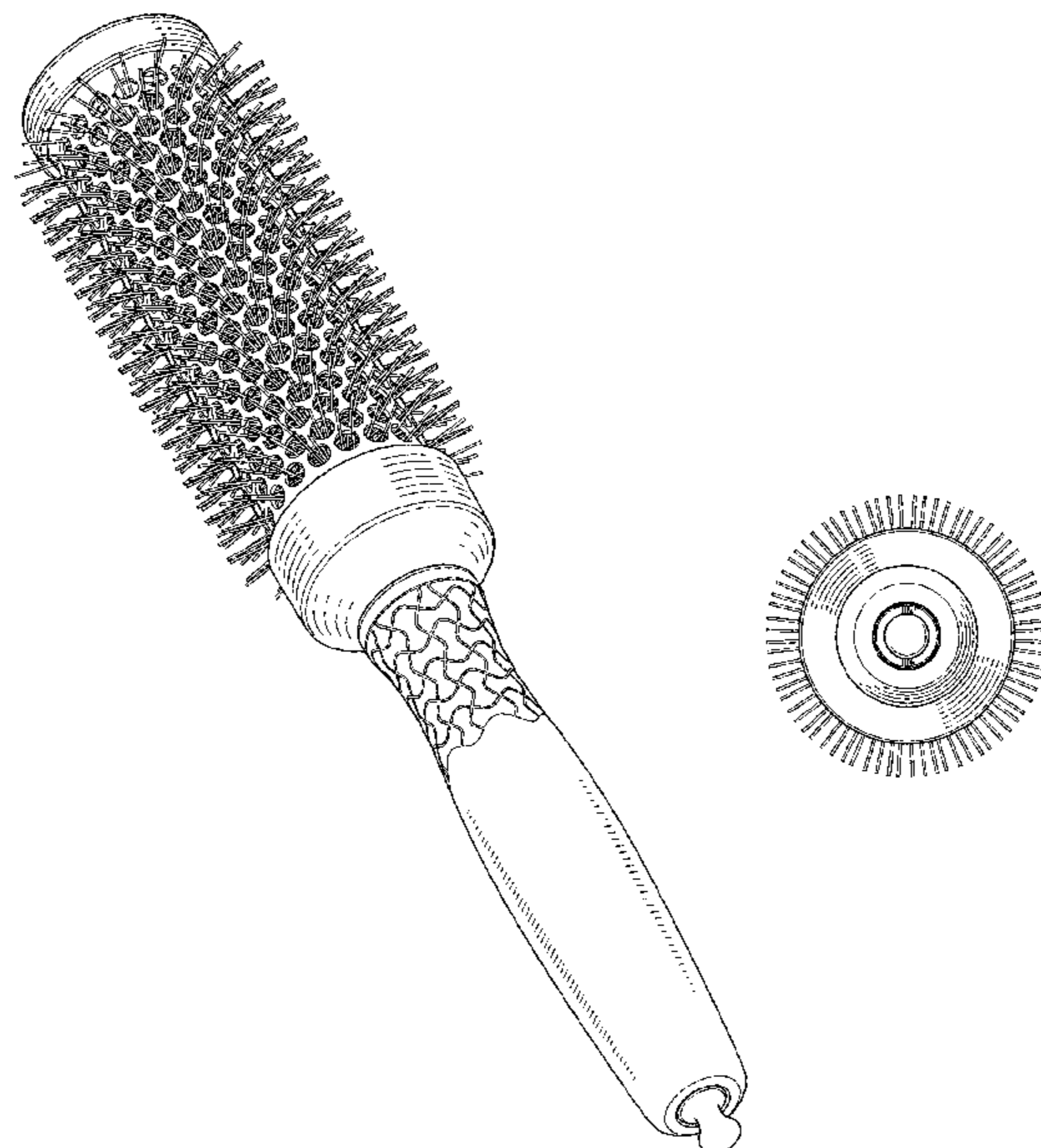
FIG. 3 is a front view thereof. The back side view is the same as the front side view.

FIG. 4 is a right side view thereof. The left side view is the same as the right side view.

FIG. 5 is a top view thereof; and,

FIG. 6 is a bottom view thereof.

1 Claim, 3 Drawing Sheets



(56)

References Cited

U.S. PATENT DOCUMENTS

D798,605 S *	10/2017	Funches	D4/128	D928,514 S *	8/2021	Rennette	D4/128
D798,607 S	10/2017	Park		D929,132 S *	8/2021	Hinds	D4/128
D801,701 S	11/2017	Rennette		2003/0110585 A1 *	6/2003	Rechelbacher	A46B 5/02 15/143.1
D801,702 S	11/2017	Rennette		2005/0121049 A1 *	6/2005	Rizzuto, Jr.	A45D 24/00 132/147
D807,646 S	1/2018	Rennette		2007/0261187 A1 *	11/2007	DiPippo	A46B 17/06 15/169
D817,643 S *	5/2018	Valle	D4/100	2012/0152272 A1 *	6/2012	Solovey	A46B 5/0095 132/242
D823,005 S *	7/2018	Kuo	D4/128	2013/0312783 A1 *	11/2013	Fiorio	A45D 2/362 132/237
10,028,574 B2	7/2018	Rennette		2014/0075694 A1 *	3/2014	Toh	A45D 4/06 15/160
D846,887 S	4/2019	Treeby et al.		2015/0342333 A1 *	12/2015	Park	A46B 7/10 15/23
D847,514 S	5/2019	Maman		2016/0353855 A1	12/2016	Rennette	
D856,683 S *	8/2019	Rennette	D4/128	2019/0142148 A1 *	5/2019	Rennette	A45D 20/525 132/313
D867,869 S	11/2019	Rennette					
D879,476 S	3/2020	Rennette					
10,602,835 B2	3/2020	Rennette					
D884,360 S	5/2020	Hou					
D895,981 S	9/2020	Rennette et al.					
D905,970 S	12/2020	Rennette					
D915,775 S *	4/2021	Moon	D4/128				

* cited by examiner

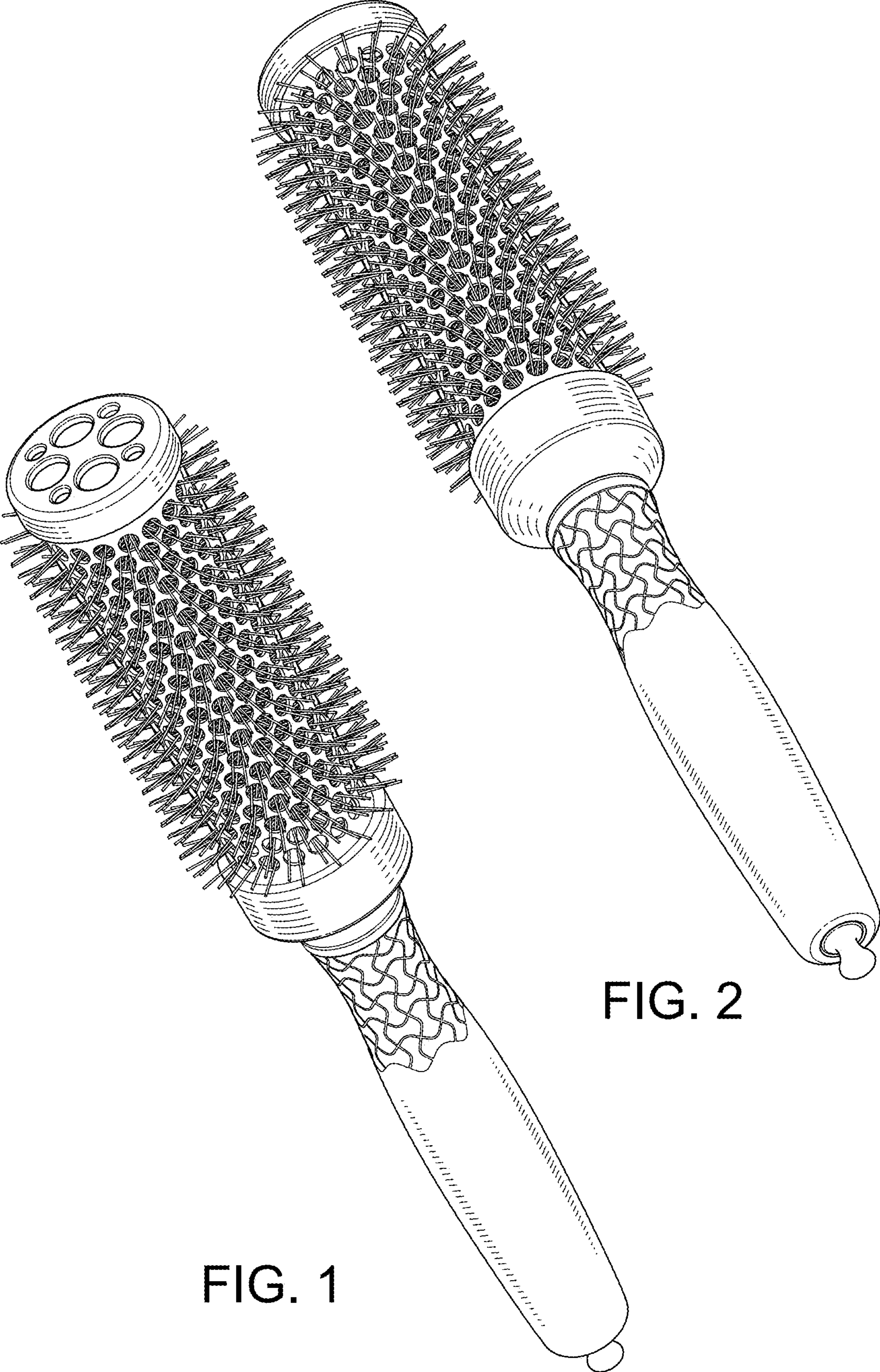


FIG. 1

FIG. 2

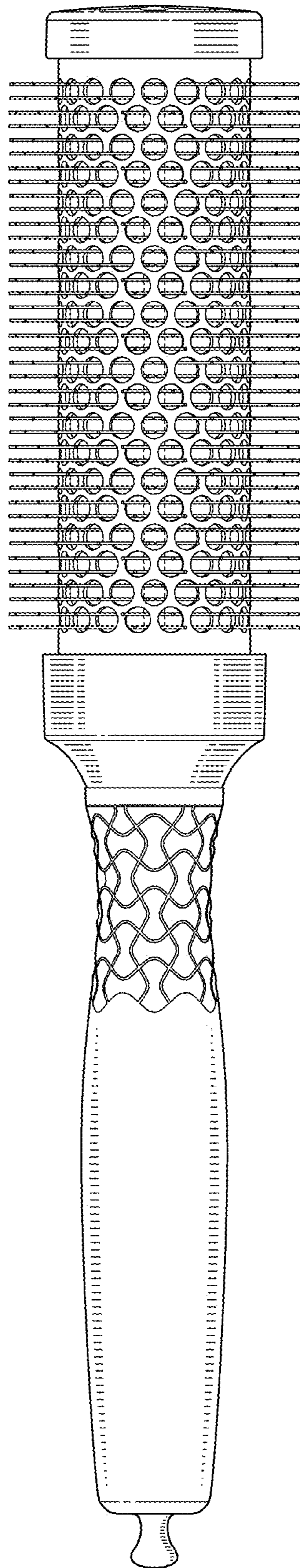


FIG. 3

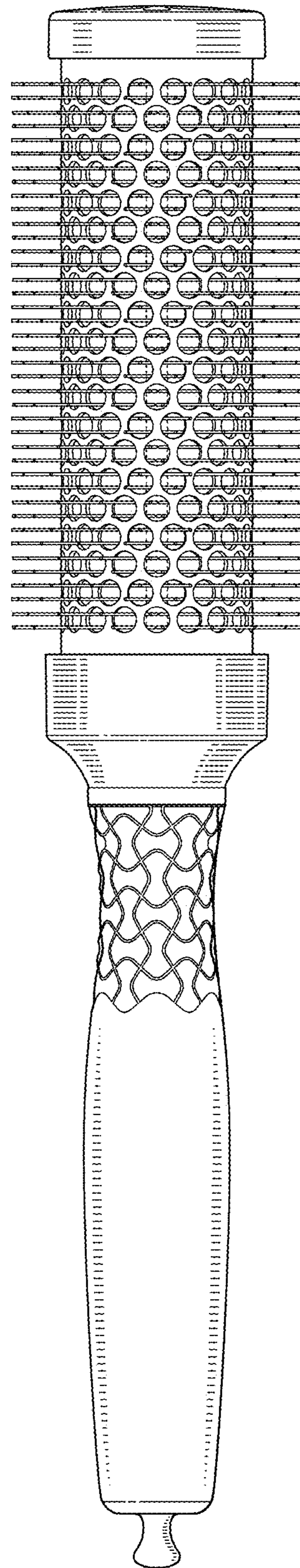


FIG. 4

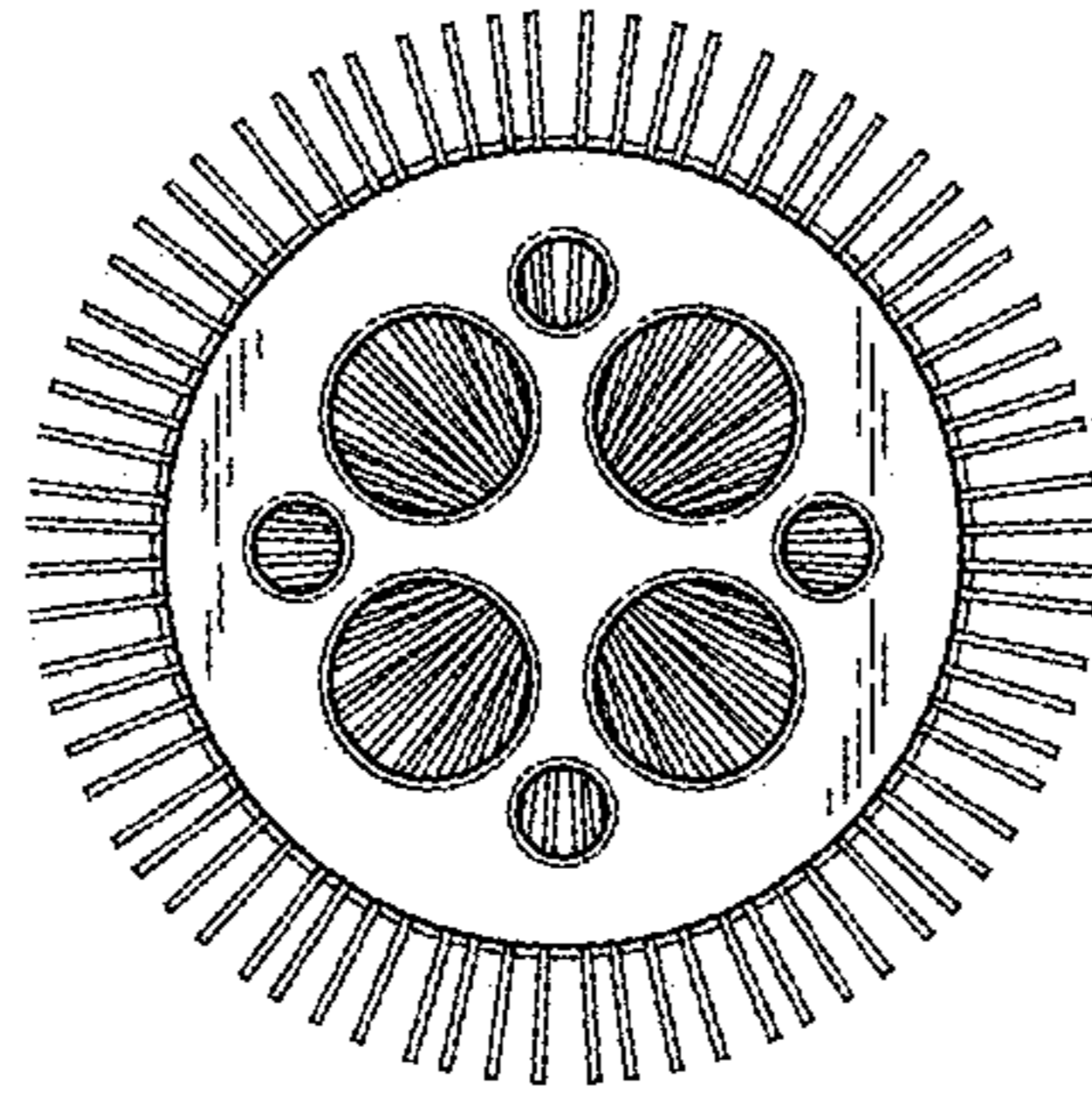


FIG. 5

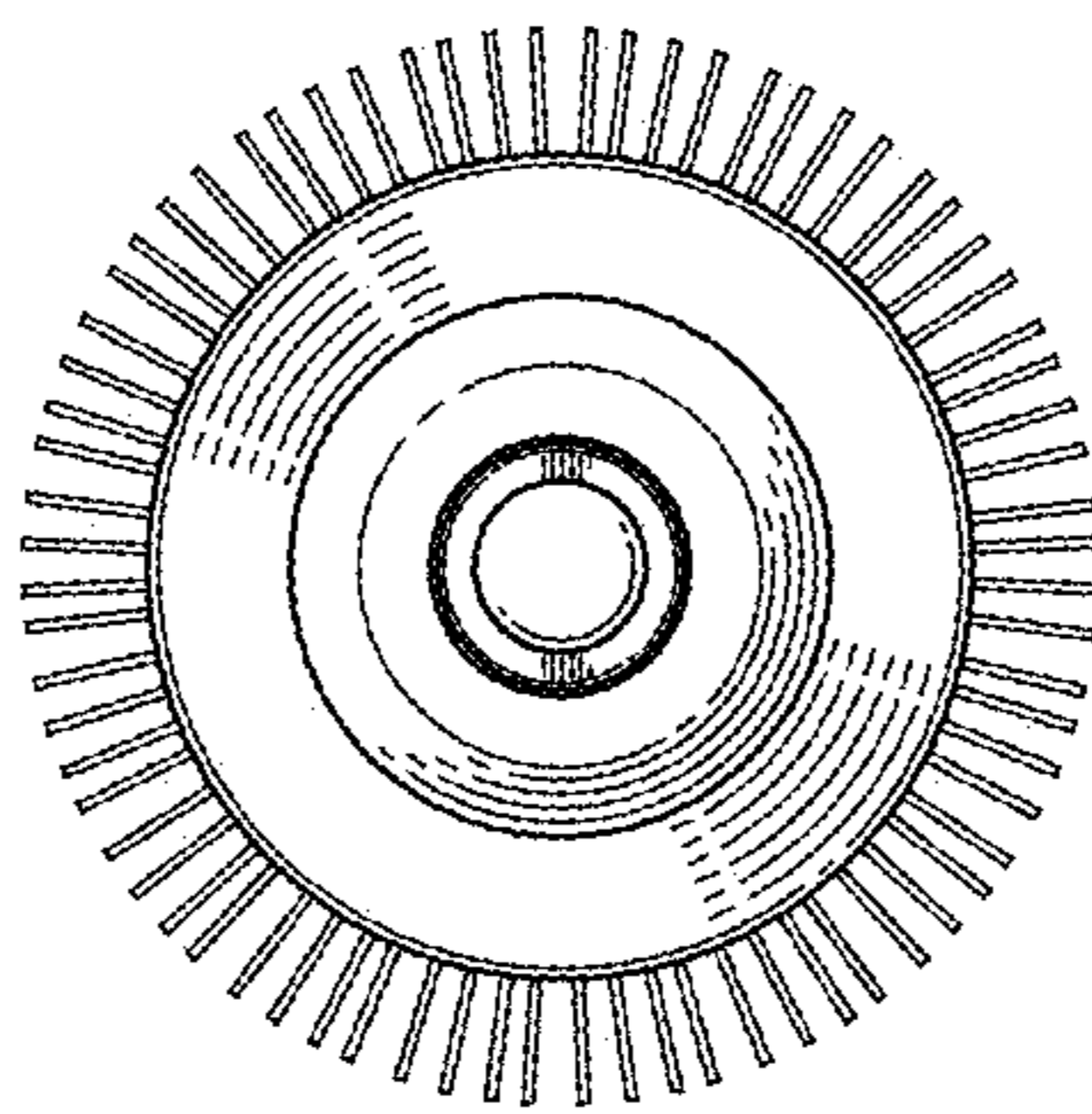


FIG. 6