



US00D943284S

(12) **United States Design Patent** (10) **Patent No.:** **US D943,284 S**
To (45) **Date of Patent:** **** Feb. 15, 2022**

(54) **TOOTHBRUSH HEAD**
(71) Applicant: **World Wide Daily Holdings Company Limited, Kwai Chung (HK)**
(72) Inventor: **Chun Yuen To, Shatin (HK)**
(73) Assignee: **World Wide Daily Holdings Company Limited, Kwai Chung (HK)**
(**) Term: **15 Years**
(21) Appl. No.: **29/731,931**
(22) Filed: **Apr. 20, 2020**

(30) **Foreign Application Priority Data**
Jan. 17, 2020 (HK) 2015447.8M001
(51) **LOC (13) Cl.** **04-02**
(52) **U.S. Cl.**
USPC **D4/104**
(58) **Field of Classification Search**
USPC D4/100, 101, 104, 105, 106, 107, 108,
D4/110, 112, 113, 114, 116, 121, 127,
D4/129, 130, 132, 134, 138, 199;
D30/158, 159; D24/152, 176
CPC A46B 5/02; A46B 9/04; A46B 2200/1066
See application file for complete search history.

(56) **References Cited**
U.S. PATENT DOCUMENTS
2,360,745 A * 10/1944 Vogel A46B 5/02
15/167.1
4,010,509 A * 3/1977 Huish A46B 9/045
15/167.1
5,046,213 A * 9/1991 Curtis A46B 9/04
15/167.1
D627,972 S * 11/2010 Evans D4/104
D627,973 S * 11/2010 Evans D4/104
D897,685 S * 10/2020 To D4/104

D898,370 S * 10/2020 To D4/104
D898,371 S * 10/2020 To D4/104
D898,372 S * 10/2020 To D4/104
D906,687 S * 1/2021 To D4/104
2018/0000237 A1* 1/2018 Ji A46B 3/00

OTHER PUBLICATIONS

Doop head-removable & washable toothbrush [on-line]. [Published May 31, 2021.] [Retrieved from the Internet Sep. 28, 2021.]
URL: > URL: <https://thegadgetflow.com/portfolio/doop-headremovablewashable-toothbrush-is-recycled-reclable-sustainability/> (Year: 2021).*

(Continued)

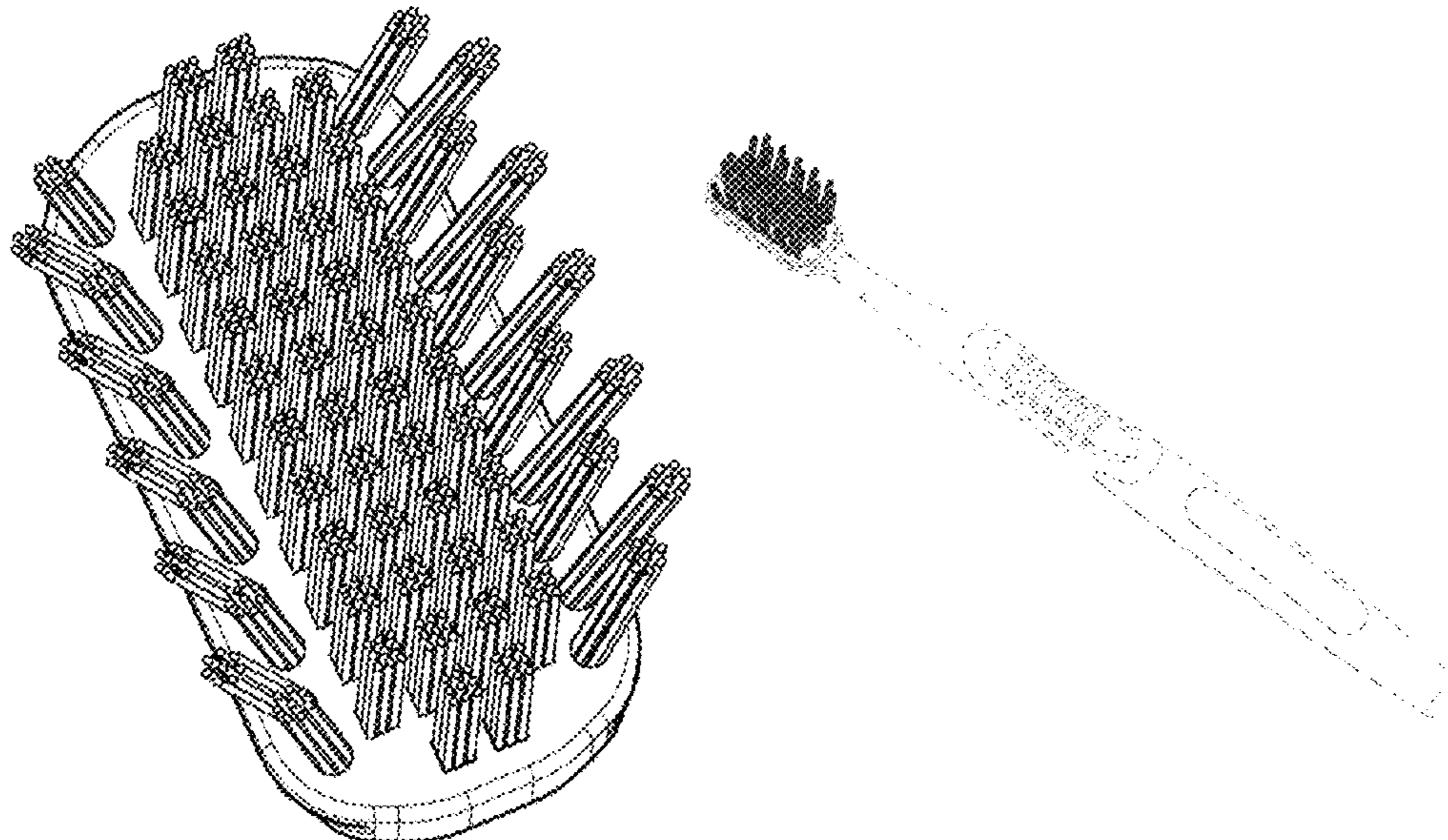
Primary Examiner — Karen E Eldridge Powers
(74) *Attorney, Agent, or Firm* — Howard & Howard Attorneys PLLC

(57) **CLAIM**
The ornamental design for a toothbrush head, as shown and described.

DESCRIPTION

FIG. 1 is a bottom, front, perspective view of a toothbrush head showing our new design;
FIG. 2 is a front elevation view thereof;
FIG. 3 is a back elevation view thereof;
FIG. 4 is a top plan view thereof.
FIG. 5 is a bottom plan view thereof.
FIG. 6 is a left side elevation view thereof.
FIG. 7 is a right side elevation view thereof; and,
FIG. 8 is a perspective view of the toothbrush head in its environment.
In the drawings, the broken lines in FIGS. 3 through 7 represent unclaimed portions of the toothbrush head and form no part of the claimed design. In the drawings, the broken lines in FIG. 8 represent environment and form no part of the claimed design.

1 Claim, 8 Drawing Sheets



(56)

References Cited

OTHER PUBLICATIONS

“The Sustainable Toothbrush Comes with Replaceable Miniature Bristle-Heads,” by Sarang Sheth [on-line]. [Published Jun. 20, 2019.] [Retrieved from the Internet Sep. 28, 2021.] URL: ><https://yankodesign.com/2019/06/20/this-sustainable-toothbrush-comes-with-replaceable-miniature-bristle-heads/>< (Year: 2019).*

Detachable Head Toothbrushes by Kewalraj & Co. Pvt. Ltd. [on-line]. [Published beginning Apr. 15, 2009.] [Retrieved from the Internet Sep. 28, 2021.] URL: ><https://www.tradeindia.com/products/detachable-head-toothbrushes-243283.html>< (Year: 2009).*

* cited by examiner

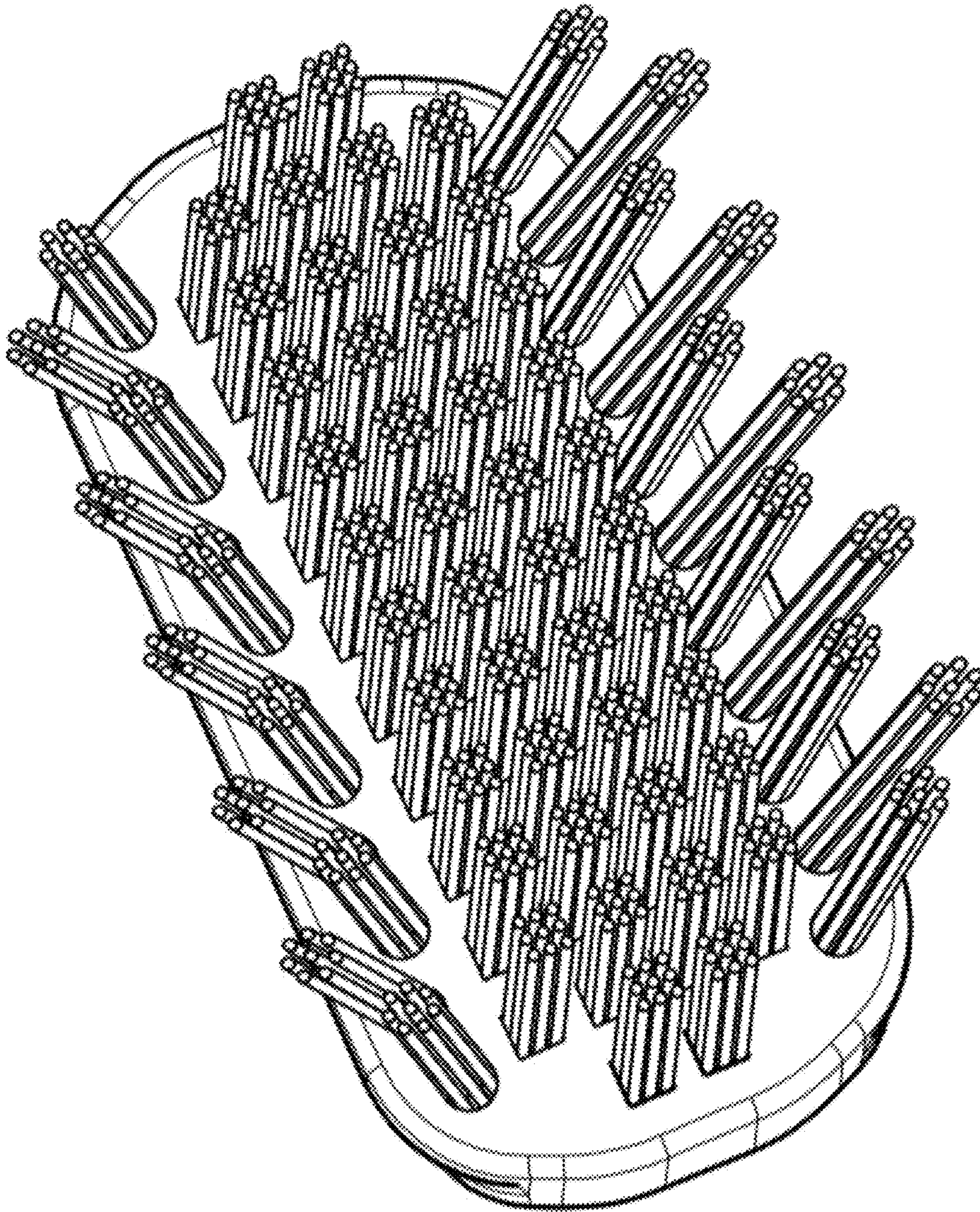


FIG. 1

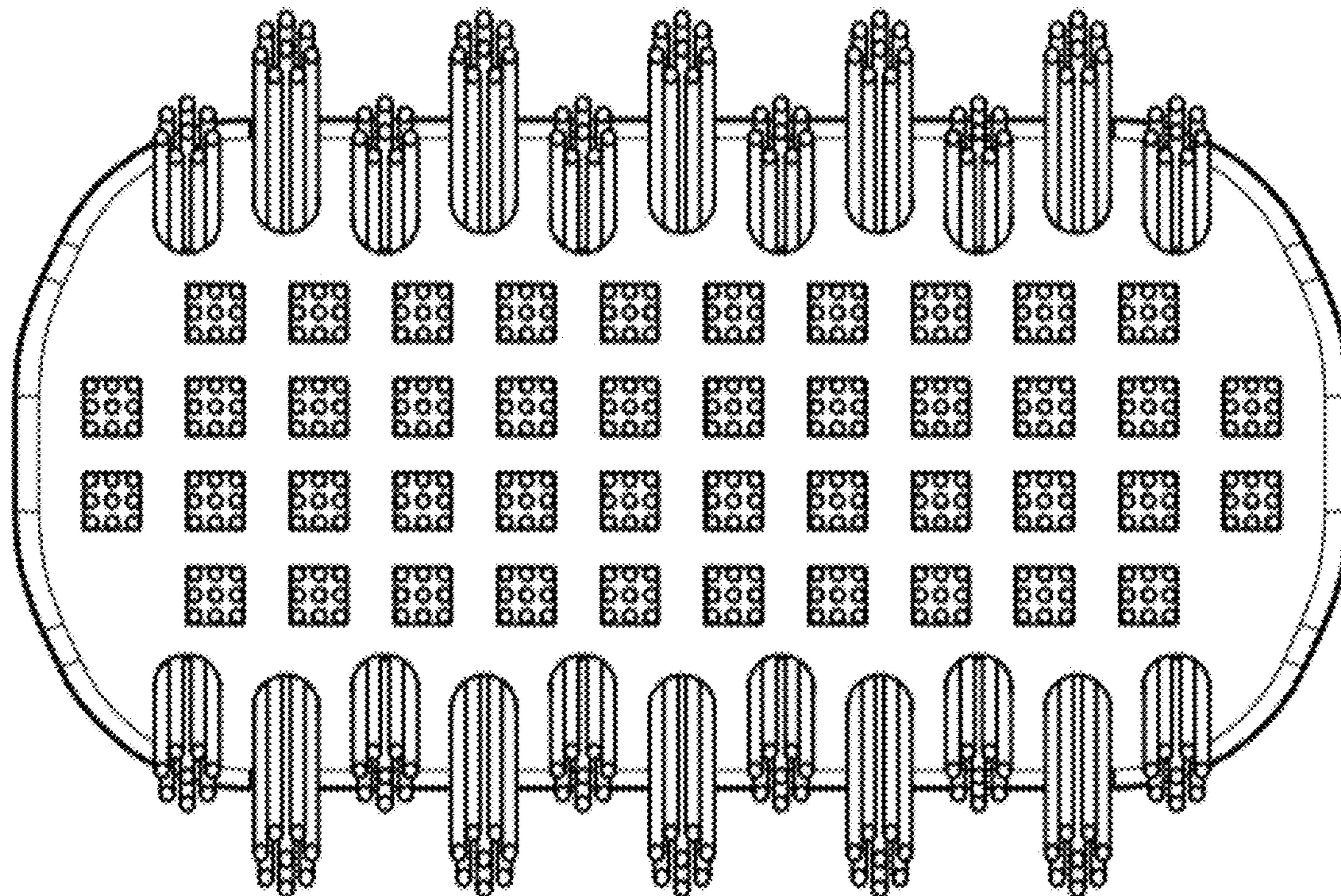


FIG. 2

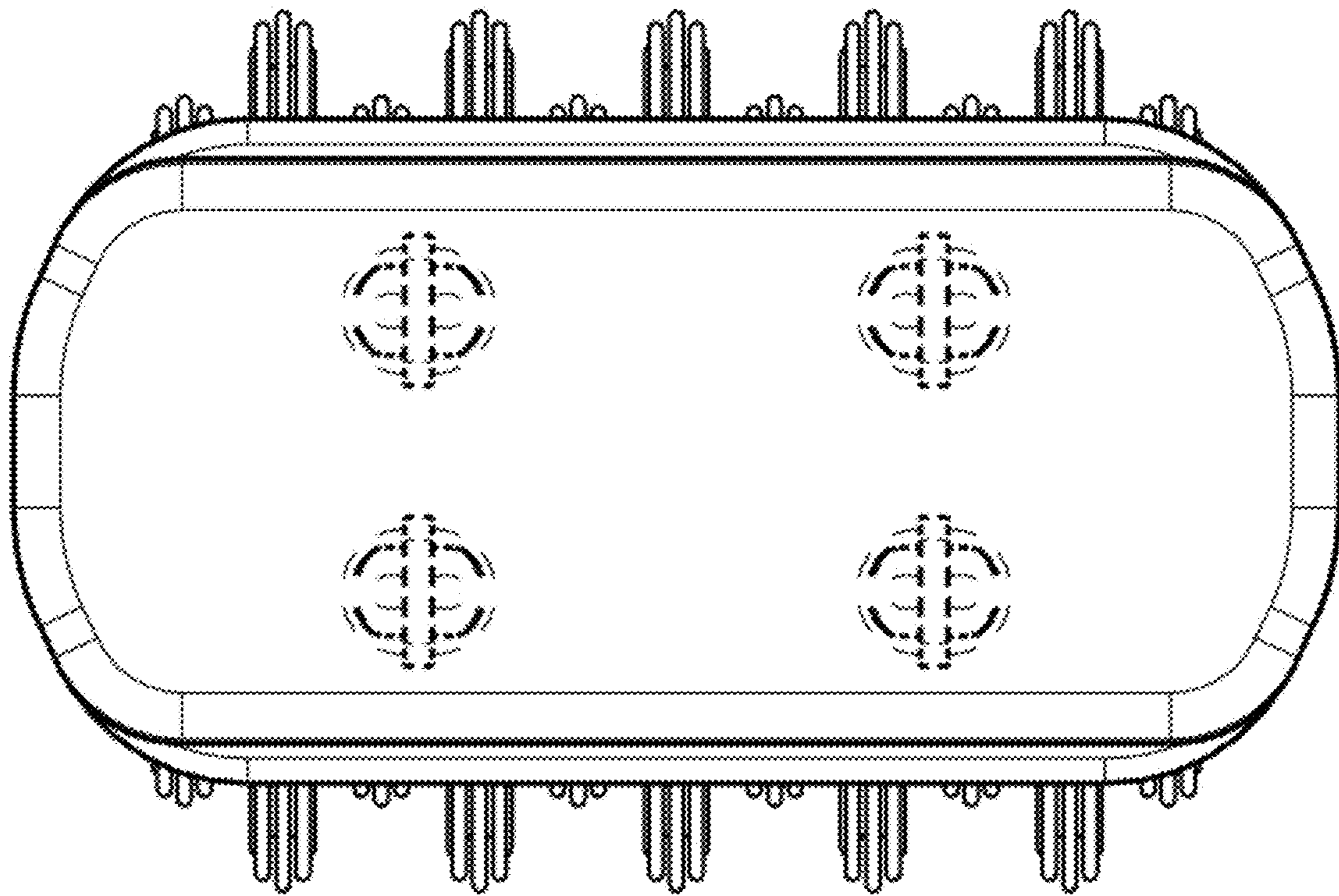


FIG. 3

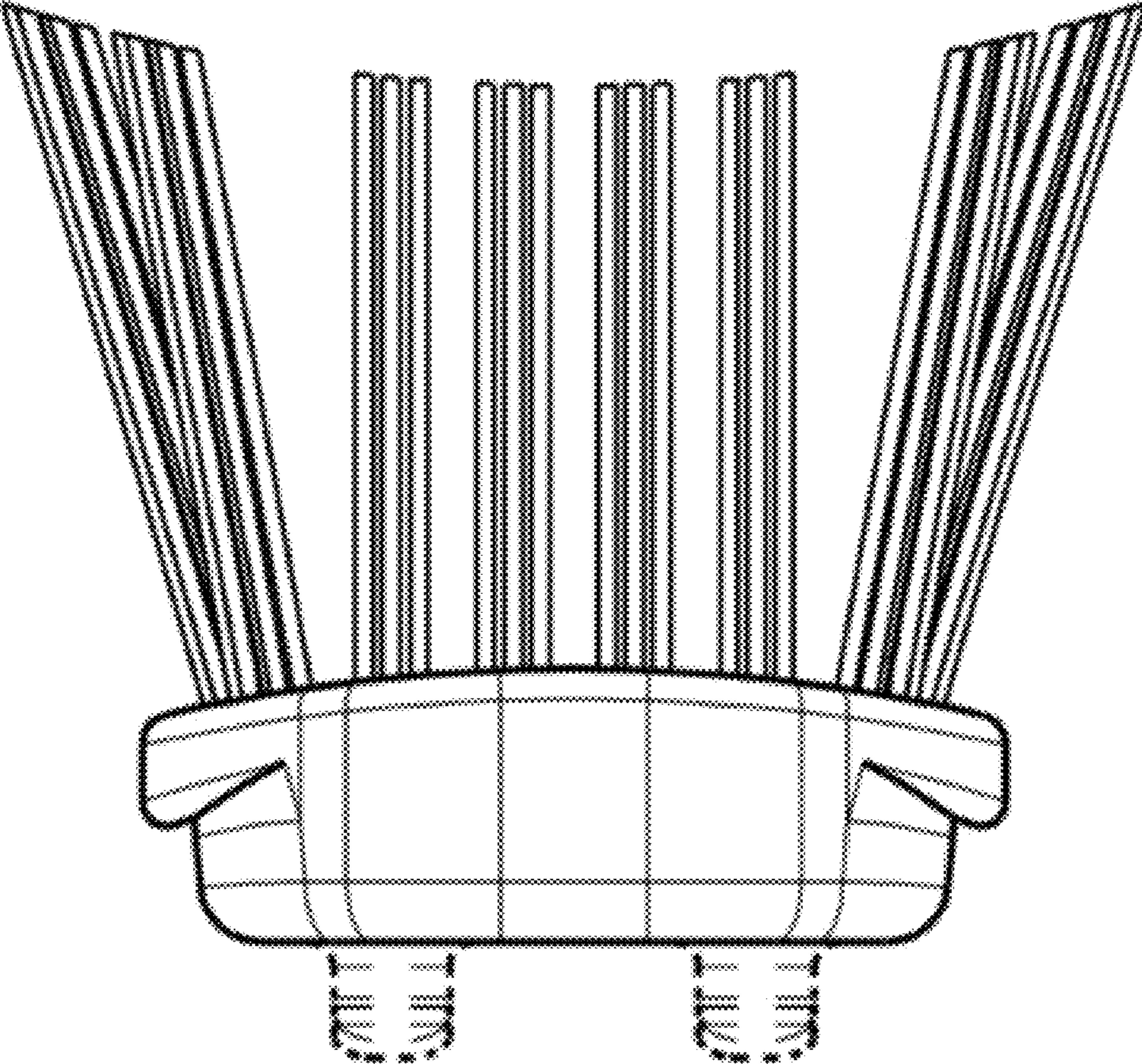


FIG. 4

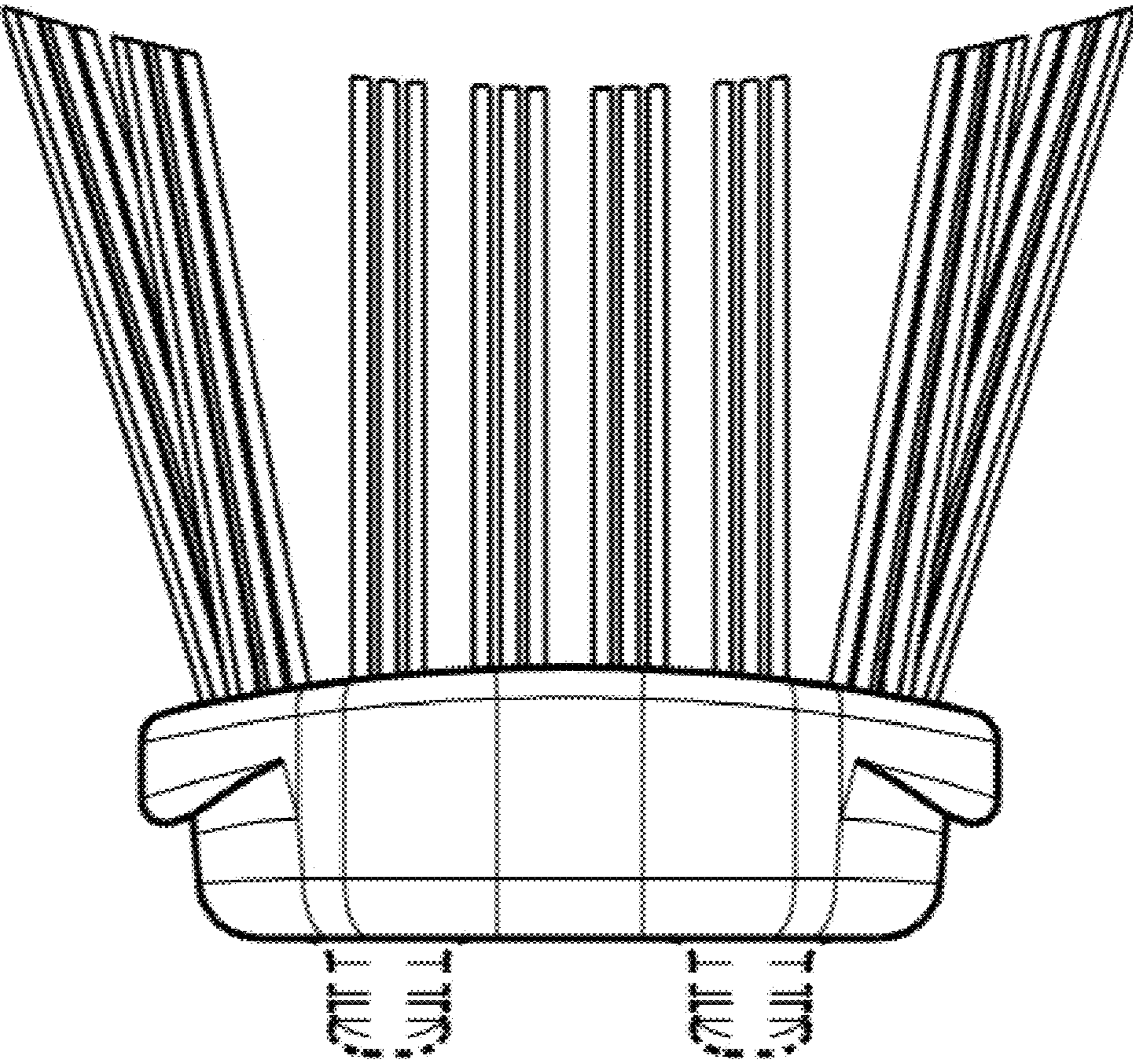


FIG. 5

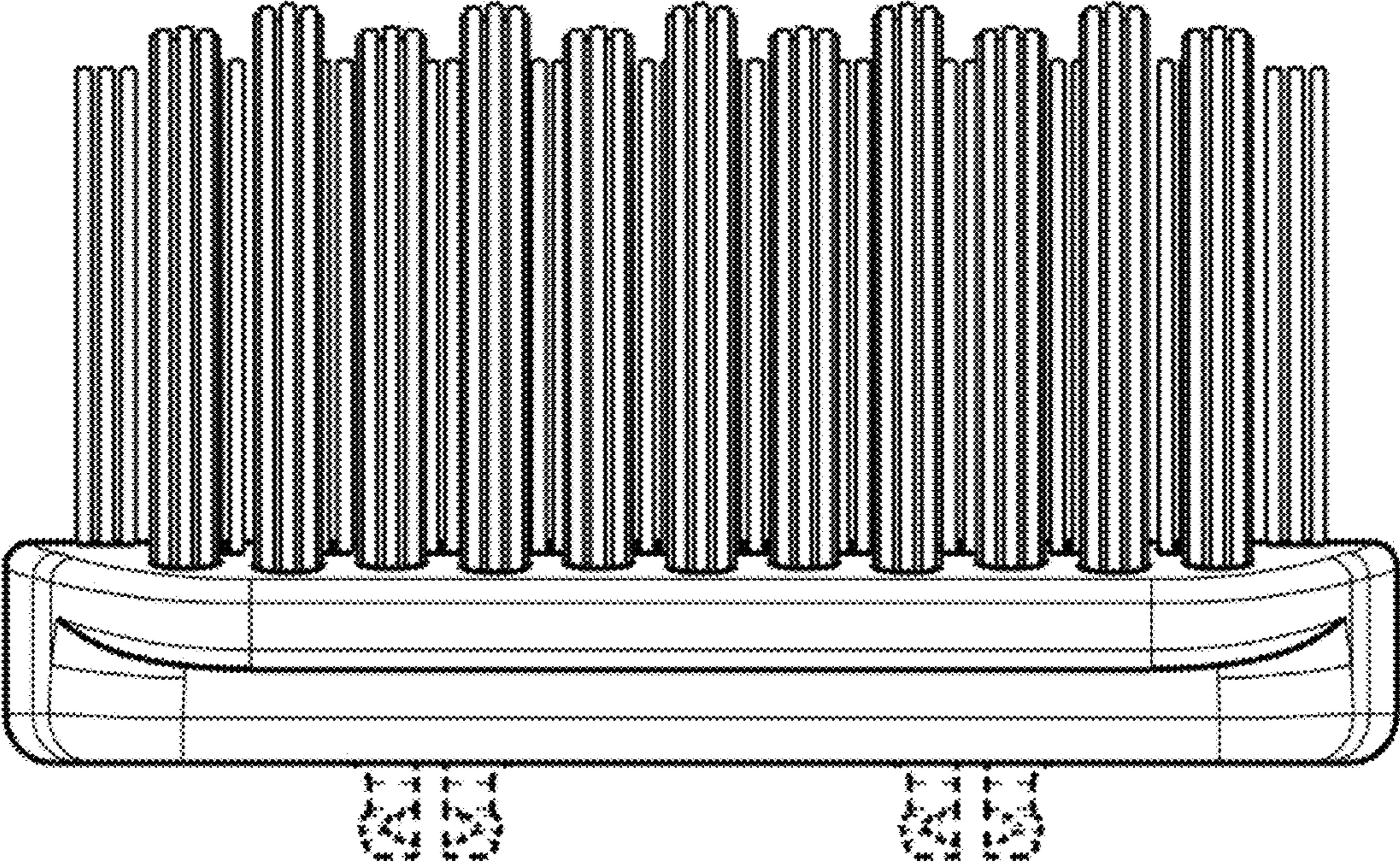


FIG. 6

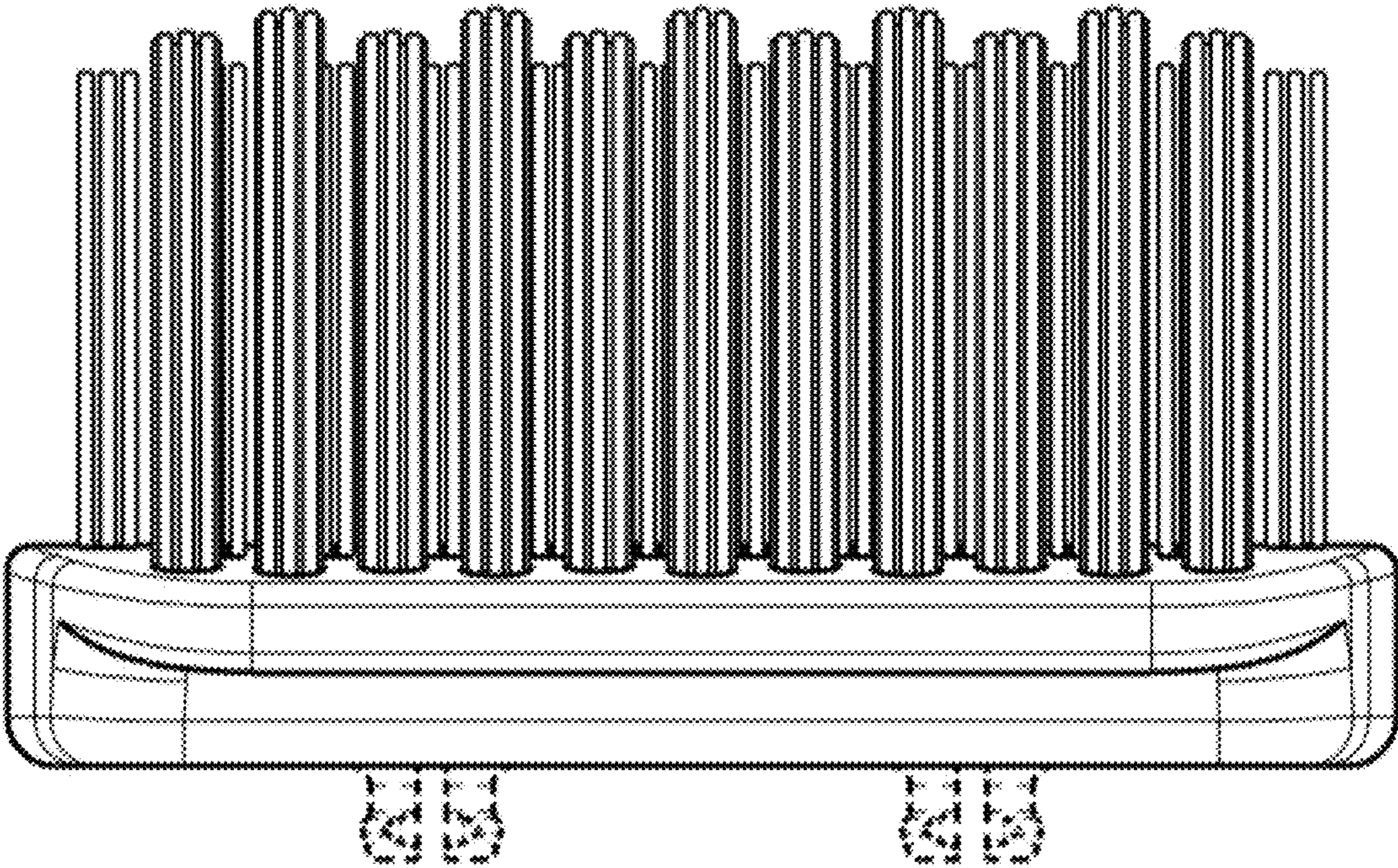


FIG. 7

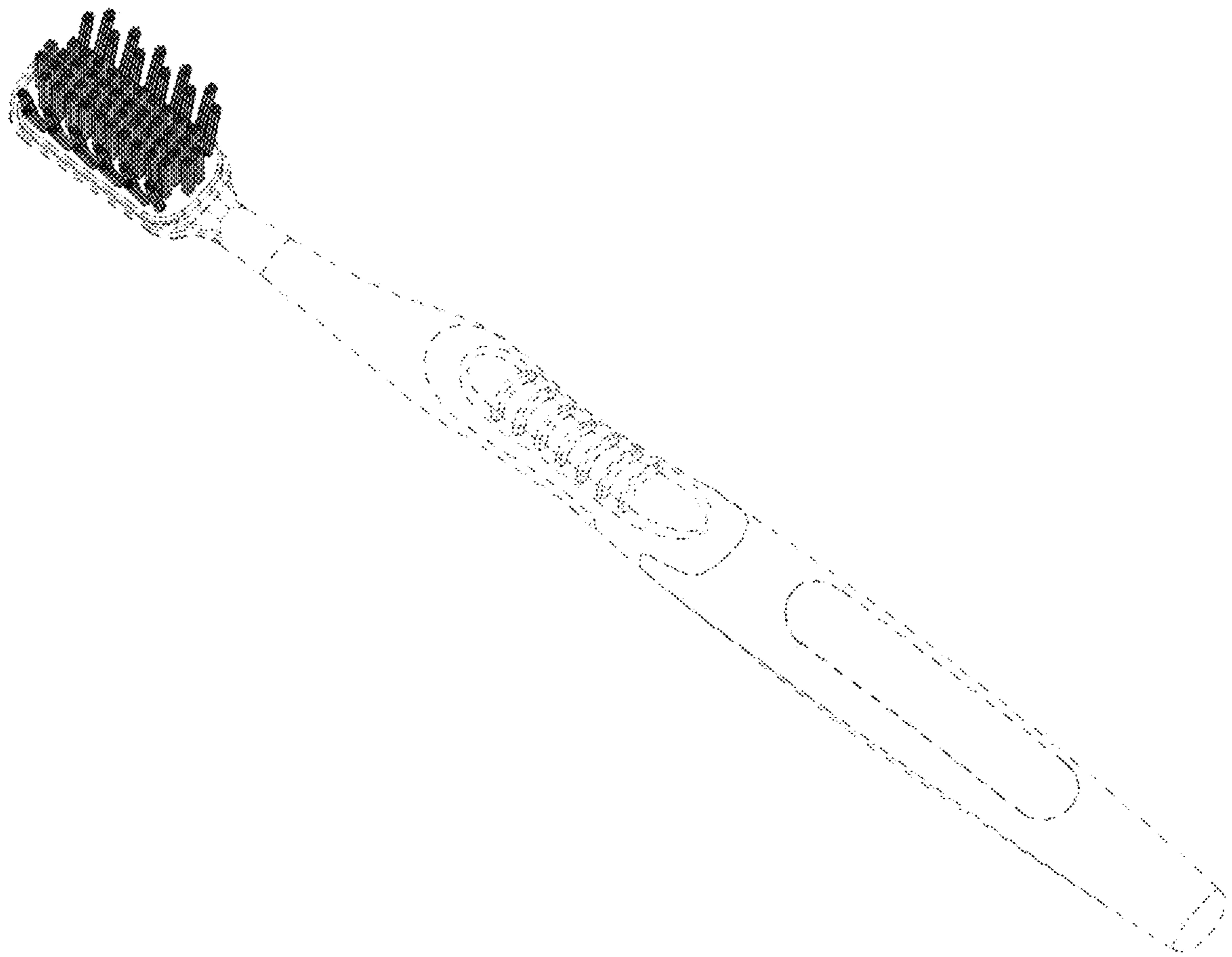


FIG. 8