



US00D943281S

(12) **United States Design Patent** (10) **Patent No.:** **US D943,281 S**
Zou (45) **Date of Patent:** **** Feb. 15, 2022**

(54) **HAIR DRYER BRUSH**
(71) Applicant: **FINE DRAGON TECHNOLOGY LIMITED**, Guangdong (CN)
(72) Inventor: **Zhenren Zou**, Guangdong (CN)
(73) Assignee: **FINE DRAGON TECHNOLOGY LIMITED**, Shenzhen (CN)

D884,360 S * 5/2020 Hou D4/128
D901,899 S * 11/2020 Zhanye D4/102
D909,064 S * 2/2021 Huang D4/100
D912,987 S * 3/2021 Chandra D4/100
D916,370 S * 4/2021 Zhang D28/35
D917,173 S * 4/2021 Li D4/100
D917,886 S * 5/2021 Ma D4/100
D926,370 S * 7/2021 Sun D28/13

(**) Term: **15 Years**
(21) Appl. No.: **29/752,284**
(22) Filed: **Sep. 25, 2020**

(30) **Foreign Application Priority Data**
Aug. 7, 2020 (CN) 202030447134.4
(51) **LOC (13) Cl.** **28-03**
(52) **U.S. Cl.**
USPC **D4/100; D28/35**
(58) **Field of Classification Search**
USPC D4/100, 102, 117, 118, 119, 120, 121,
D4/127, 128, 129, 130, 132, 133, 134,
D4/136, 137, 138, 199; D28/18, 24, 25,
D28/28, 35, 13; D19/904, 906
CPC A46B 5/02; A46B 9/005; A46B 9/023;
A46B 9/02; A46B 9/06; A46B 2200/104;
A46B 5/026; A46B 5/005; A46B 15/003;
A46B 15/0059; A45D 20/48; A45D
20/50; A45D 20/52; A45D 24/007; A45D
2/001; A45D 2/002; A45D 7/02
See application file for complete search history.

(56) **References Cited**
U.S. PATENT DOCUMENTS
9,414,662 B2 * 8/2016 Moloney A45D 20/00
10,117,488 B2 * 11/2018 Han A45D 7/02
D875,309 S * 2/2020 Liao D28/15

OTHER PUBLICATIONS

Dyson Airwrap hairstyling set (review), [on-line]. [Published Oct. 26, 2018.] [Retrieved from the Internet Oct. 21, 2021.] URL: >https://youtube.com/watch?v=klhRAnBTJyc< (Year: 2018).*
Review comparing Revlon One Step Dryer and Volumizer vs Dyson Airwrap (review), [on-line]. [Published Oct. 25, 2019.] [Retrieved Oct. 26, 2019.] URL: >https://youtube.com/watch?v=mc1fa8rzH2U< (Year: 2019).*

* cited by examiner

Primary Examiner — Karen E Eldridge Powers

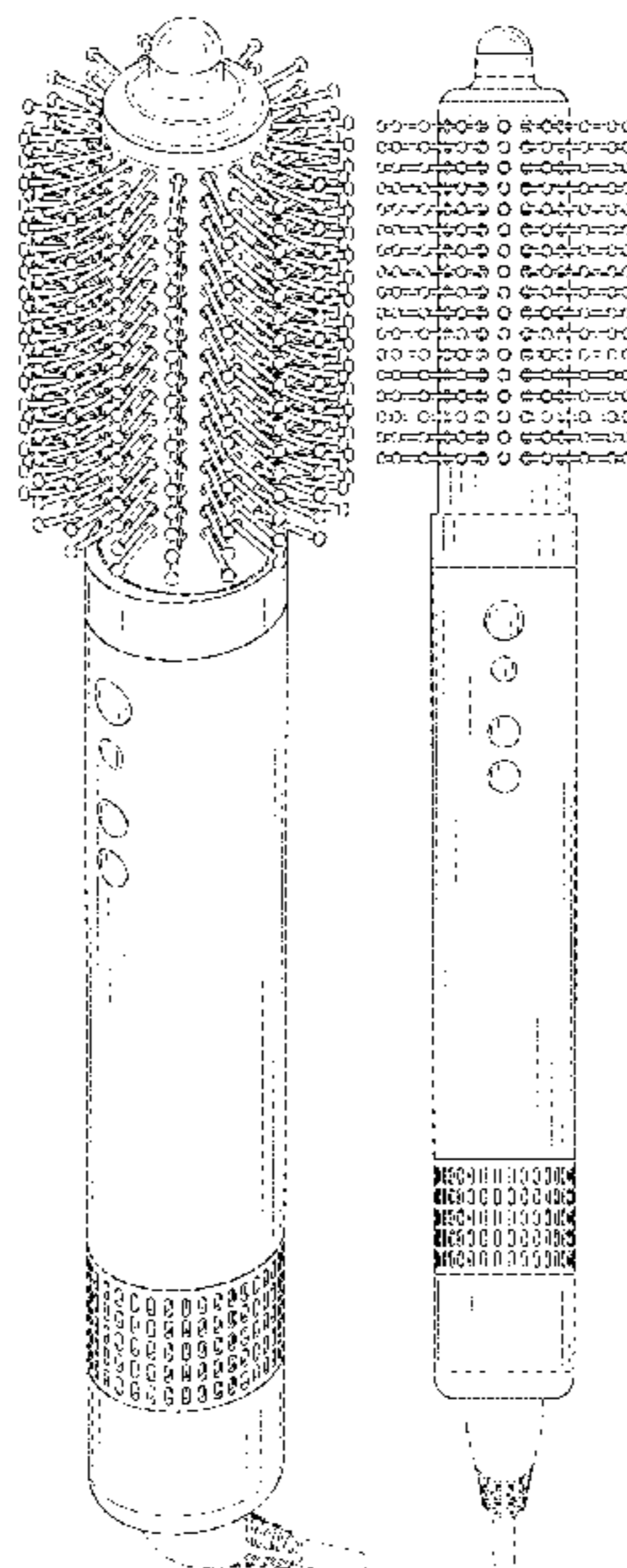
(57) **CLAIM**

The ornamental design for a hair dryer brush, as shown and described.

DESCRIPTION

FIG. 1 is a top, front and right side perspective view of a hair dryer brush showing my new design;
FIG. 2 is a front elevational view thereof;
FIG. 3 is a rear elevational view thereof;
FIG. 4 is a left side elevational view thereof;
FIG. 5 is a right side elevational view thereof;
FIG. 6 is a top plan view thereof;
FIG. 7 is a bottom plan view thereof; and,
FIG. 8 is a top, front and right side perspective view showing the hair dryer brush in a disassembled state.
The broken lines in the drawings illustrate portions of the hair dryer brush which form no part of the claimed design.

1 Claim, 8 Drawing Sheets



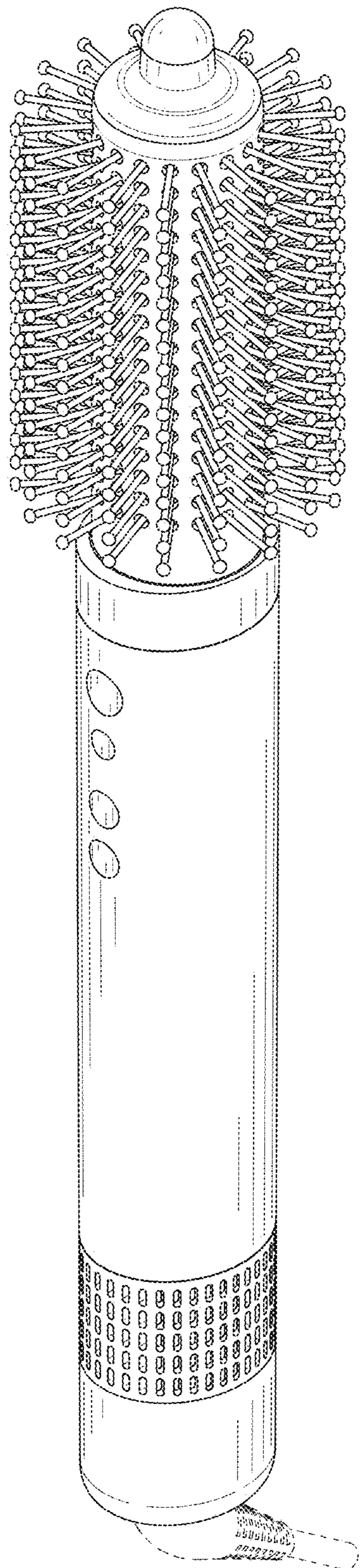


FIG. 1

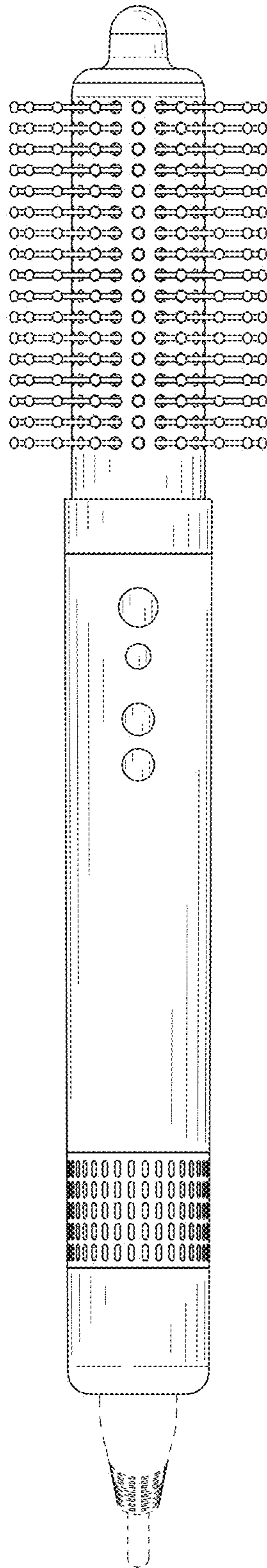


FIG. 2

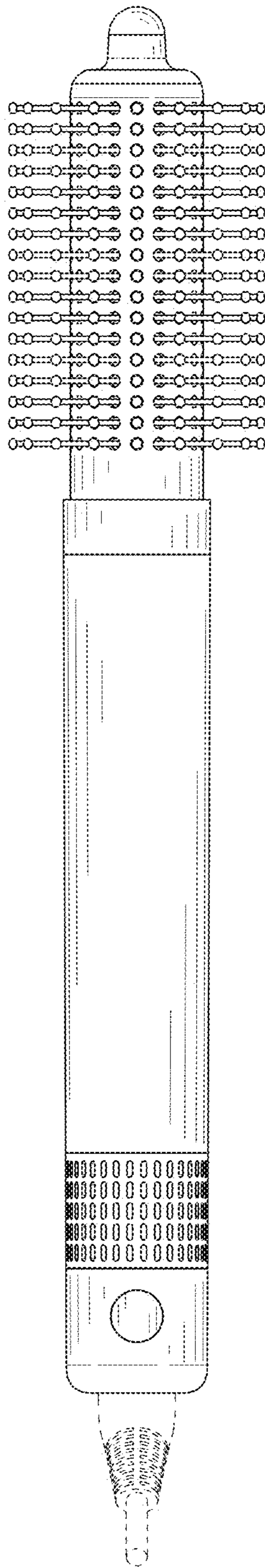


FIG. 3

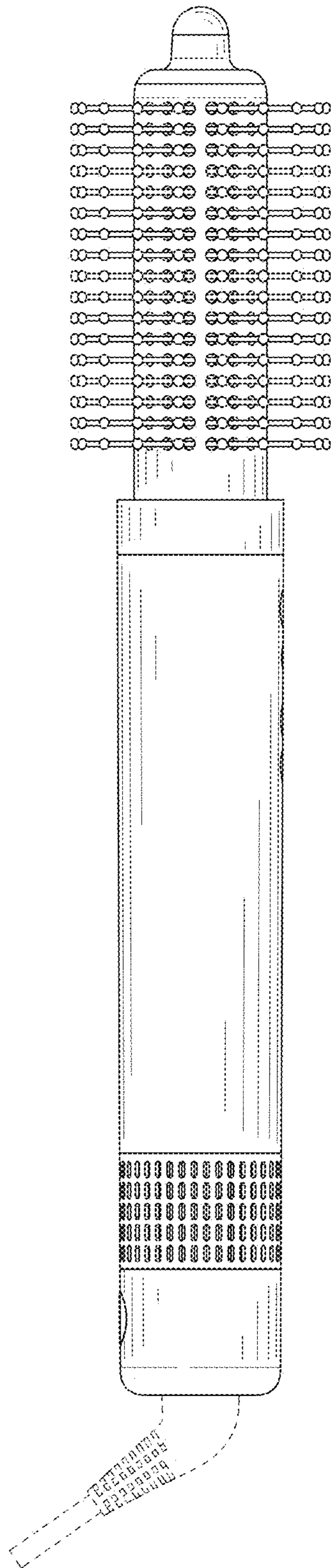


FIG. 4

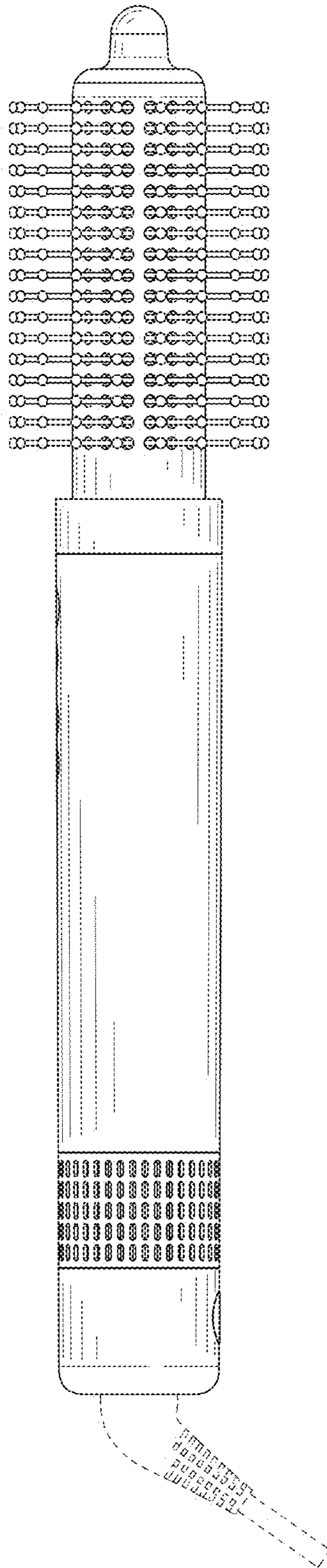


FIG. 5

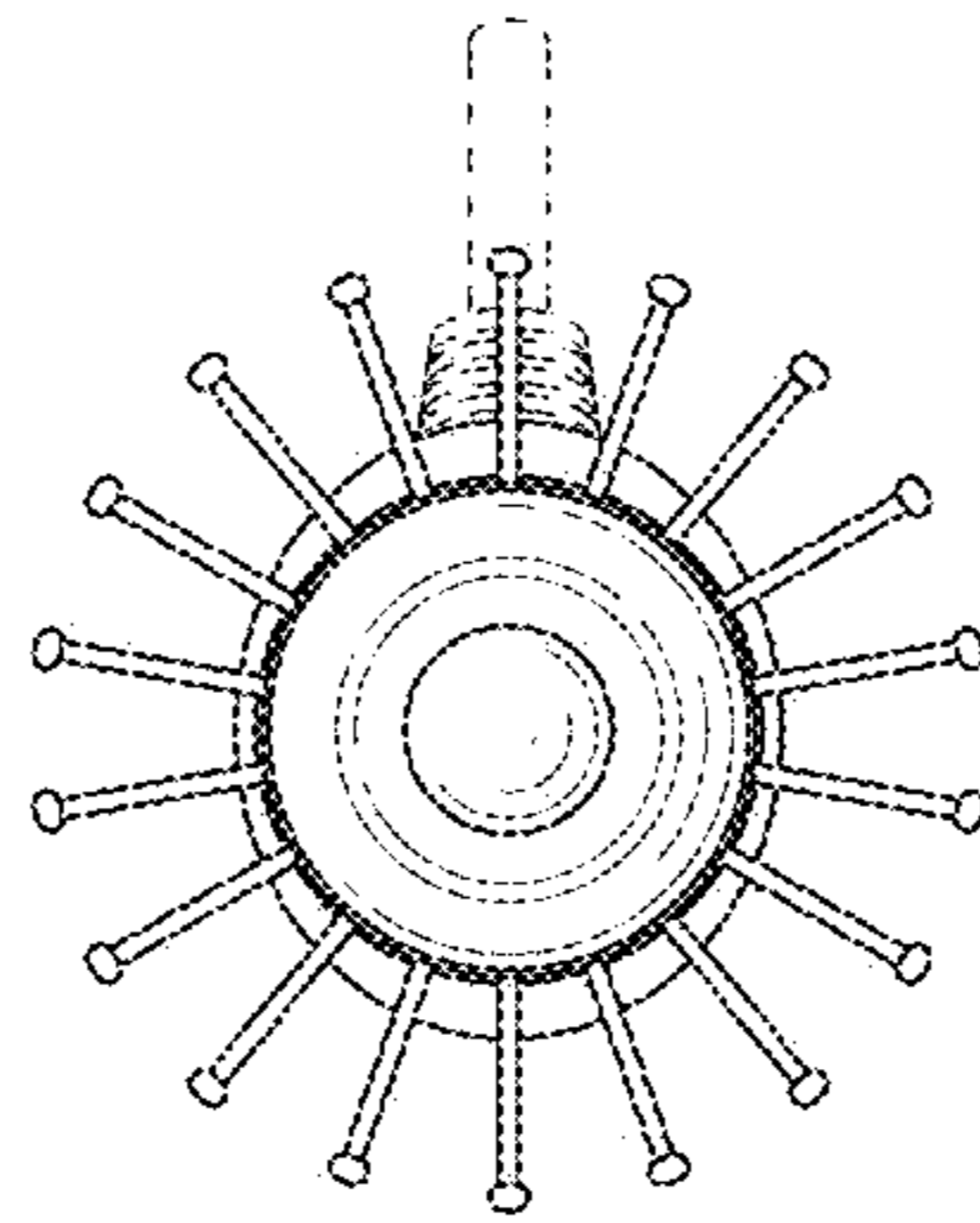


FIG. 6

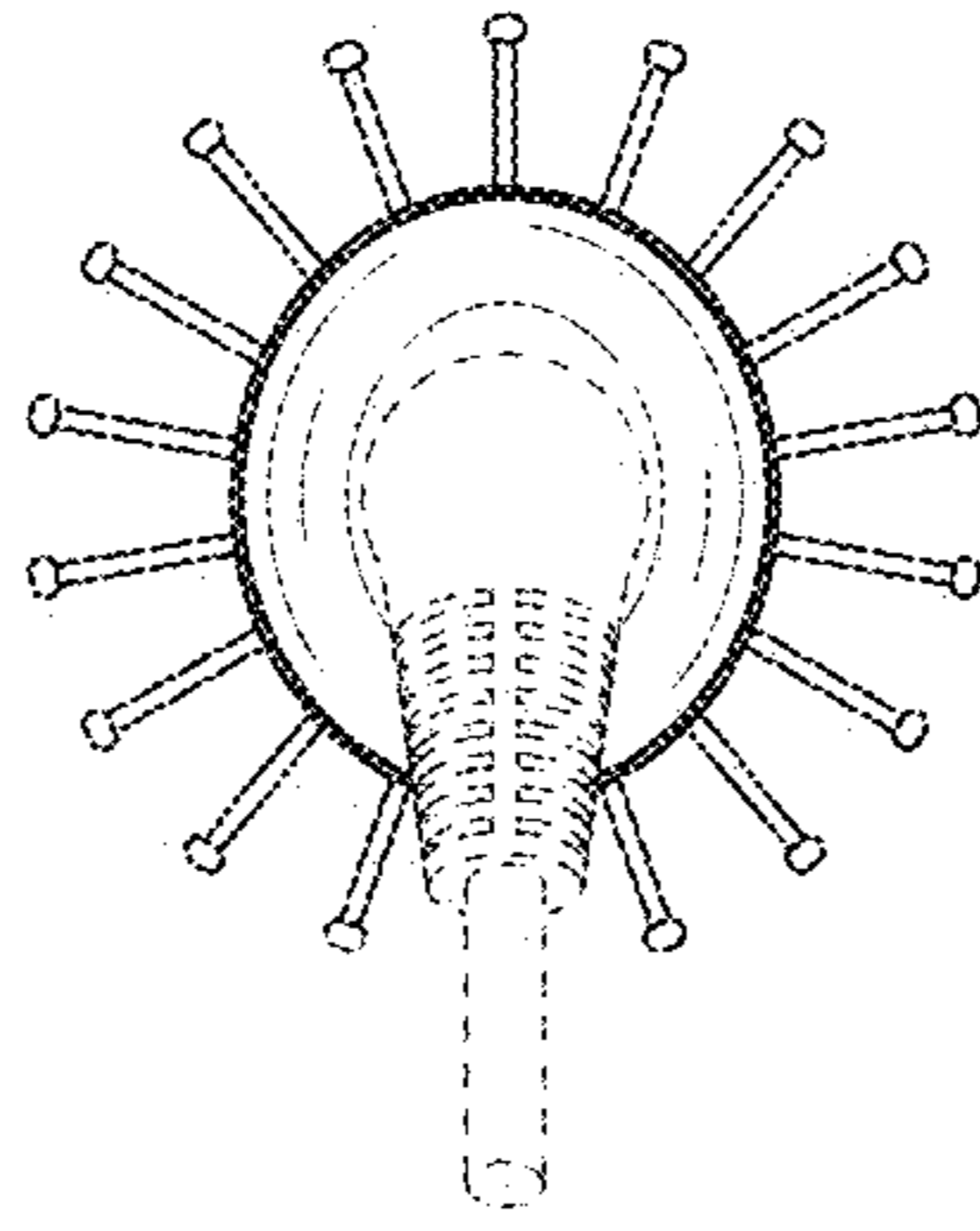


FIG. 7

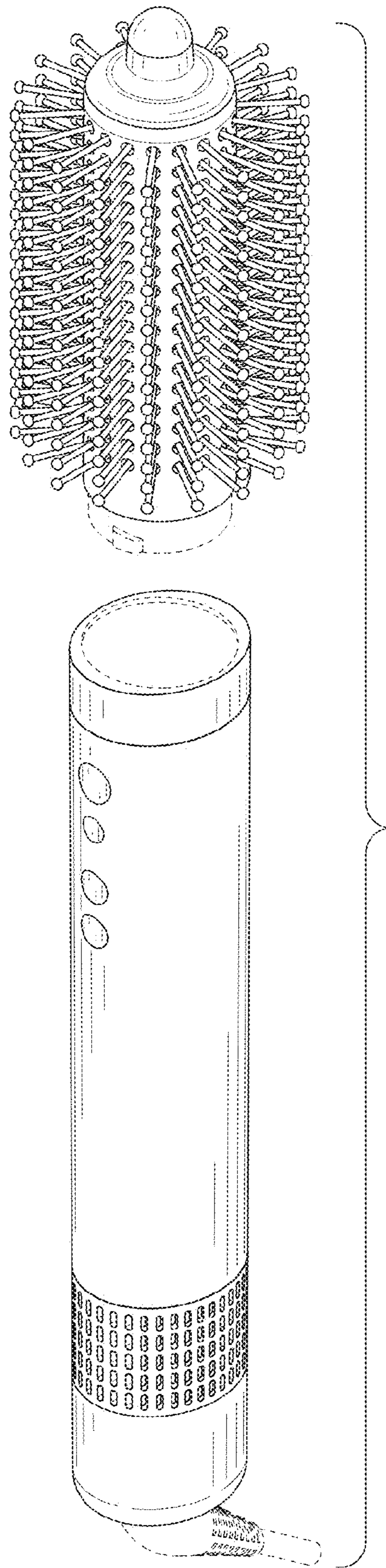


FIG. 8