



US00D943279S

(12) **United States Design Patent** (10) **Patent No.:** **US D943,279 S**  
**Weber et al.** (45) **Date of Patent:** **\*\* Feb. 15, 2022**

(54) **STROLLER BAG STRAP**

- (71) Applicant: **Tweely Inc.**, Brooklyn, NY (US)
- (72) Inventors: **Esther Weber**, Brooklyn, NY (US);  
**Samuel Weber**, Brooklyn, NY (US)
- (73) Assignee: **Tweely Inc.**, Brooklyn, NY (US)
- (\*\*) Term: **15 Years**
- (21) Appl. No.: **29/724,378**
- (22) Filed: **Feb. 14, 2020**
- (51) **LOC (13) Cl.** ..... **03-01**
- (52) **U.S. Cl.**  
USPC ..... **D3/327**
- (58) **Field of Classification Search**  
USPC ..... D3/219, 232-233, 254, 262, 315,  
D3/318-319, 327-328, 905; D21/662;  
D30/136, 137, 139, 141; D12/133  
CPC ..... D07B 2801/10; D07B 2205/2046; D07B  
1/145; D07B 7/165; A45C 13/30  
See application file for complete search history.

(56) **References Cited**

U.S. PATENT DOCUMENTS

4,878,274	A *	11/1989	Patricy	.....	A44B 18/00 24/306
5,075,933	A *	12/1991	Kemper	.....	A44B 18/00 24/16 R
D323,933	S *	2/1992	Johnston	.....	D12/133
D341,483	S *	11/1993	O'Bryan, III	.....	D6/632
D390,492	S *	2/1998	Riley	.....	D11/5
5,807,218	A *	9/1998	Nagatomo	.....	A61F 5/3715 128/869
D475,231	S *	6/2003	Briles	.....	D3/328
D605,855	S *	12/2009	Boehnlein	.....	D3/303
D656,071	S *	3/2012	Treon	.....	D12/133
D664,611	S *	7/2012	Pinskiy	.....	D21/662
D664,612	S *	7/2012	Pinskiy	.....	D21/662
D694,675	S *	12/2013	Famularo	.....	D12/133
8,968,121	B2 *	3/2015	Leggett	.....	A63B 69/0002 473/458

(Continued)

OTHER PUBLICATIONS

“Best Stroller Organizer 2020 \*\*\*\*SWANOO Stroller Organizer\*\*\*\*”, first available May 28, 2019, youtube.com, site visited Aug. 6, 2021: <https://www.youtube.com/watch?v=aso6RDIczWg> (Year: 2019).\*

*Primary Examiner* — Barbara Fox

*Assistant Examiner* — Samantha Lynne Brodowski

(74) *Attorney, Agent, or Firm* — DLA Piper LLP (US)

(57) **CLAIM**

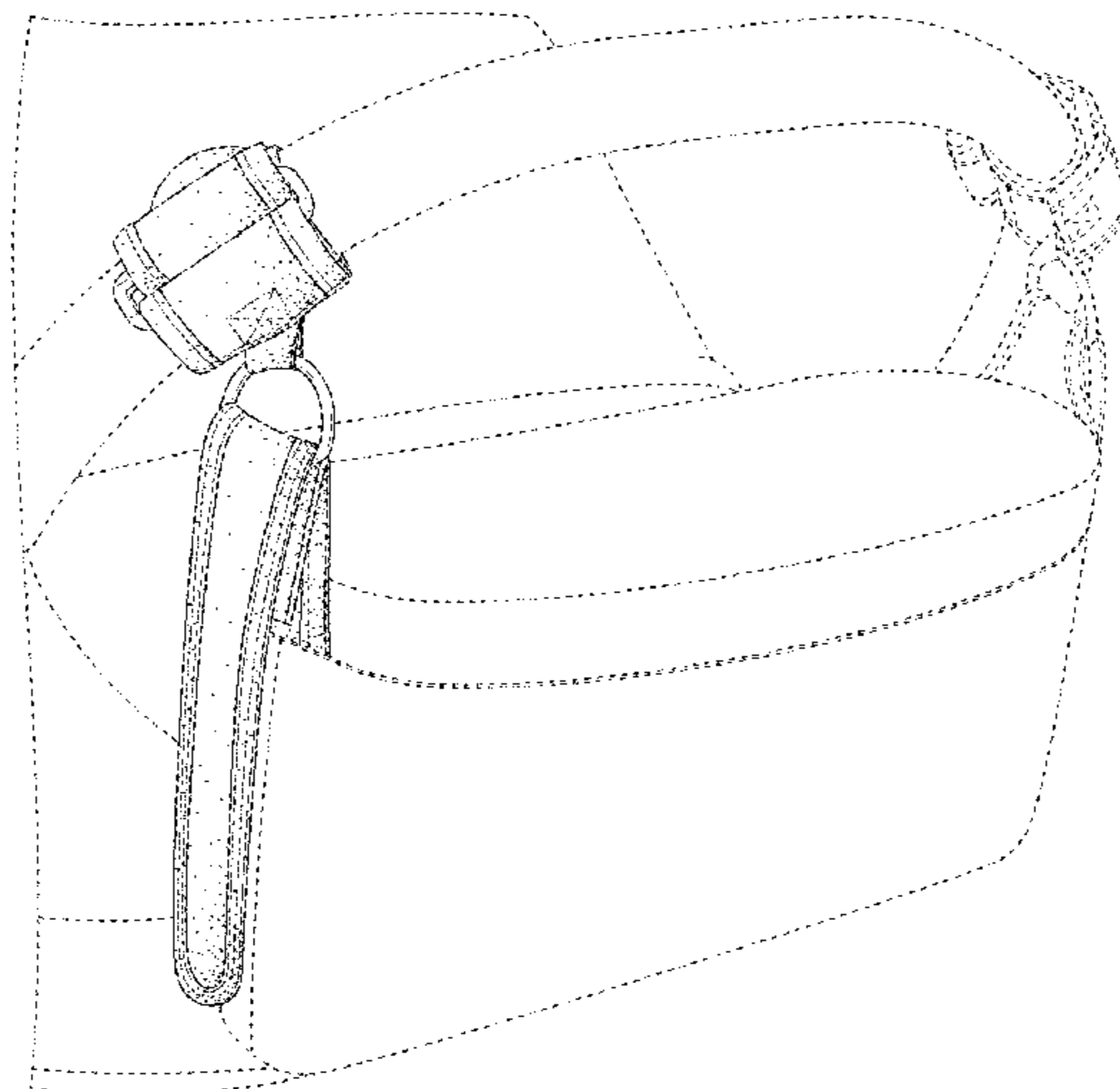
The ornamental design for a stroller bag strap, as shown and described.

**DESCRIPTION**

FIG. 1 is an exploded perspective view of our new design for a stroller bag strap, in an unfolded configuration; FIG. 2 is an exploded front view thereof; FIG. 3 is an exploded rear view thereof; FIG. 4 is an exploded right side view thereof, shown in an alternate position; FIG. 5 is an exploded left side view thereof, shown in the position of FIG. 4; FIG. 6 is an exploded top view thereof, shown in the position of FIG. 4; FIG. 7 is an exploded bottom view thereof, shown in the position of FIG. 4; FIG. 8 is an alternate perspective view thereof in a folded configuration of use; and, FIG. 9 is an alternate perspective view thereof in a partially folded configuration of use.

The evenly dashed lines on claimed surfaces depict stitching and form a part of the claimed design. The broken line showing of a stroller bag and a stroller depict environment and form no part of the claimed design.

**1 Claim, 9 Drawing Sheets**



(56)

**References Cited**

U.S. PATENT DOCUMENTS

D726,841 S \* 4/2015 Wright ..... D21/662  
D731,788 S \* 6/2015 Joo ..... D3/233  
9,339,086 B2 \* 5/2016 Hill ..... A44B 11/04  
D761,924 S \* 7/2016 Sato ..... D21/662  
D781,002 S \* 3/2017 Mathews, Jr. .... D29/124  
10,610,756 B2 \* 4/2020 McGrail ..... A63B 21/153  
D903,017 S \* 11/2020 Belveal ..... D21/662  
D915,774 S \* 4/2021 Vasquez ..... D3/318  
2004/0056057 A1 \* 3/2004 Dixon ..... B62B 9/26  
224/409  
2005/0085350 A1 \* 4/2005 Shen ..... A63B 23/00  
482/91  
2006/0201522 A1 \* 9/2006 Sato ..... A61B 17/1322  
128/898  
2009/0321487 A1 \* 12/2009 Bergman ..... A45C 13/30  
224/409

\* cited by examiner

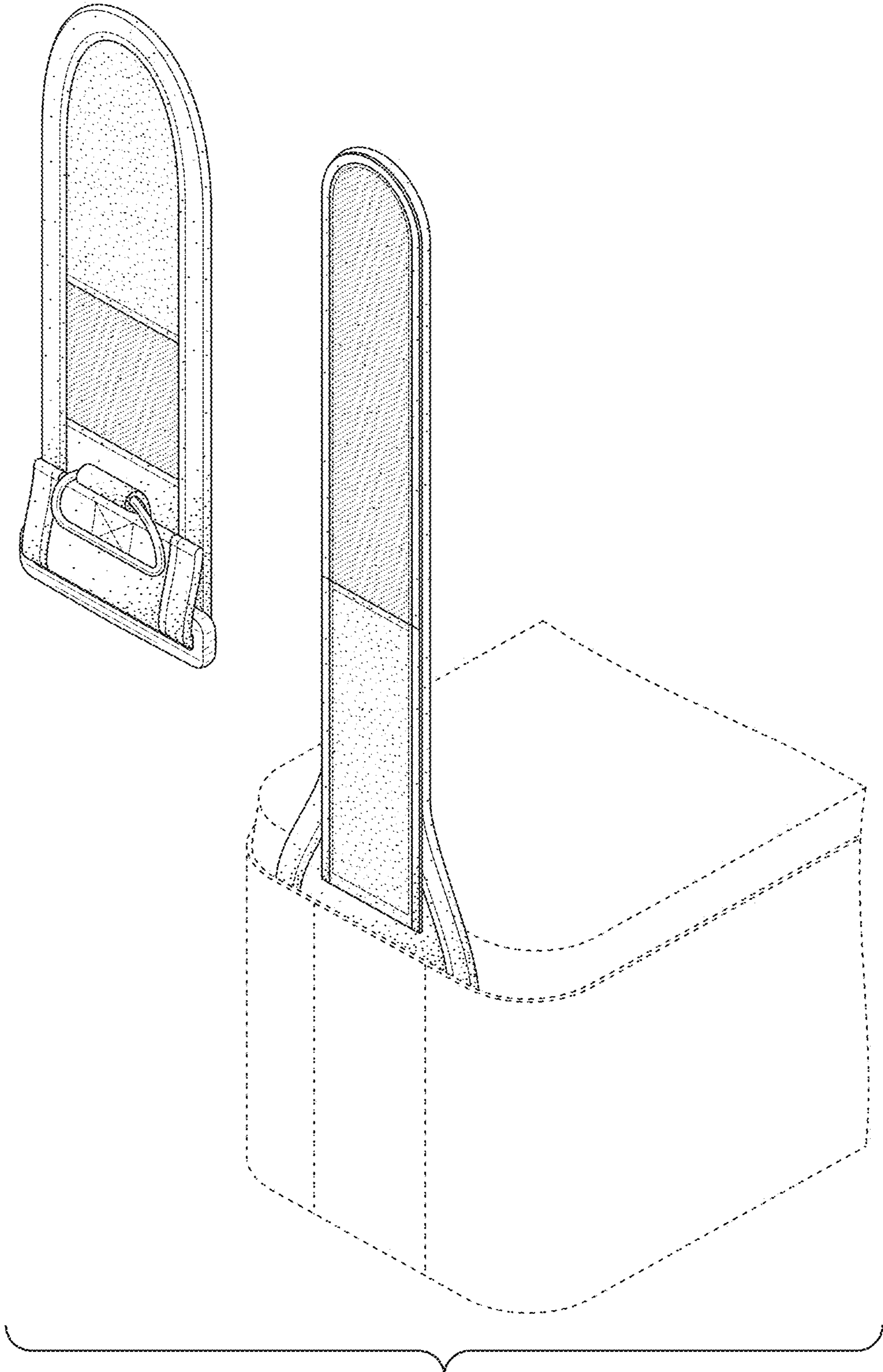


FIG. 1

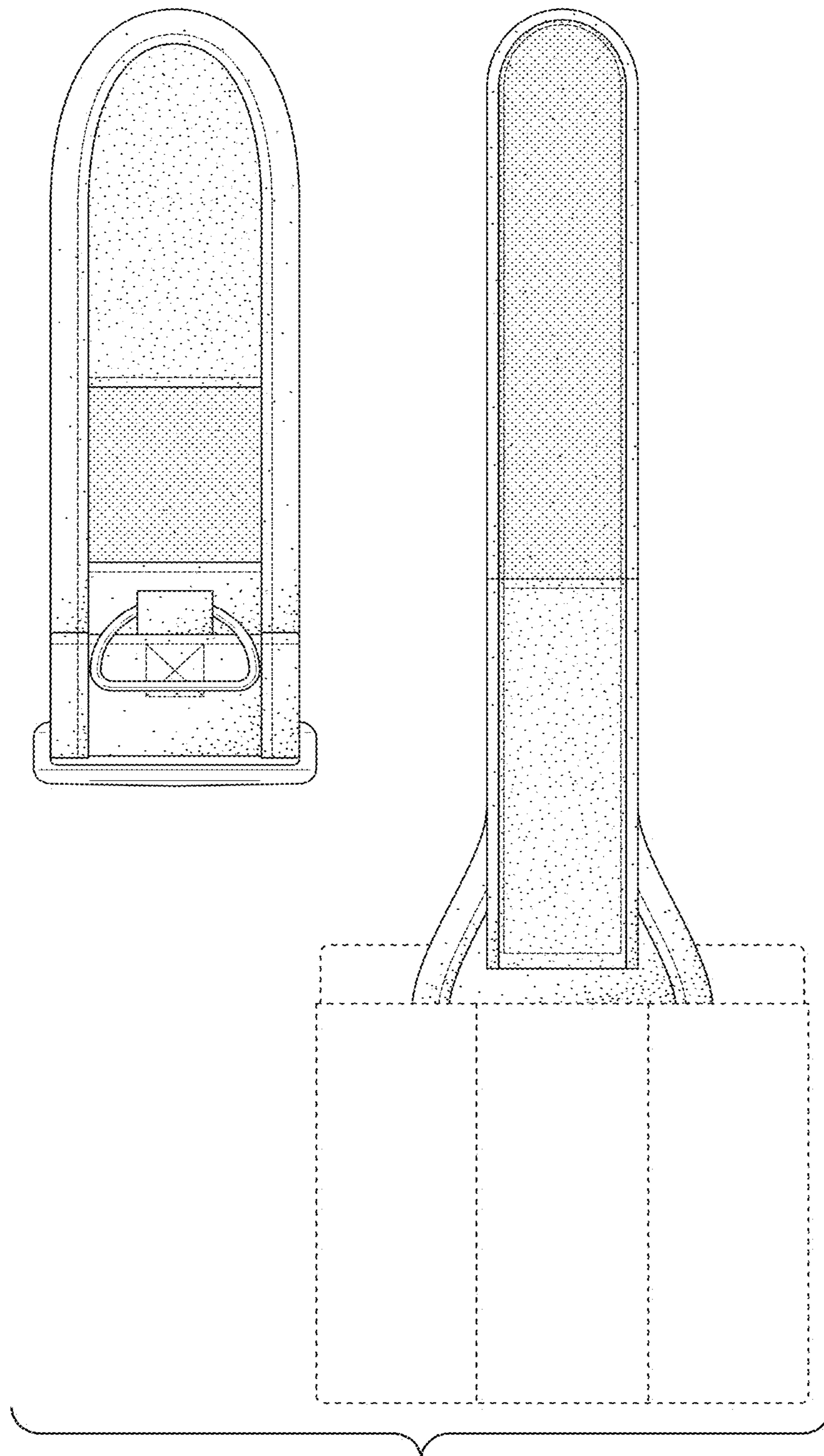


FIG. 2

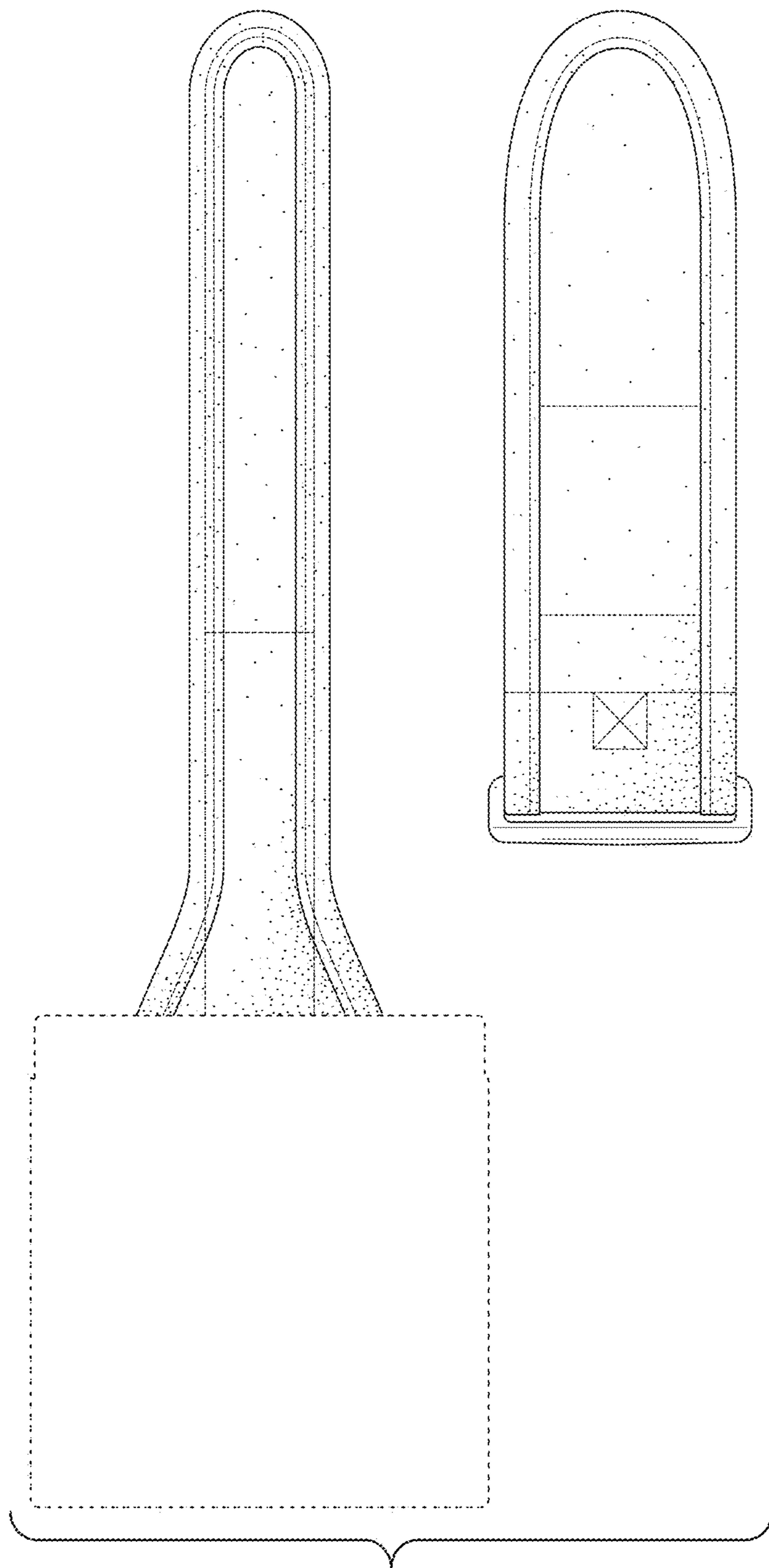


FIG. 3

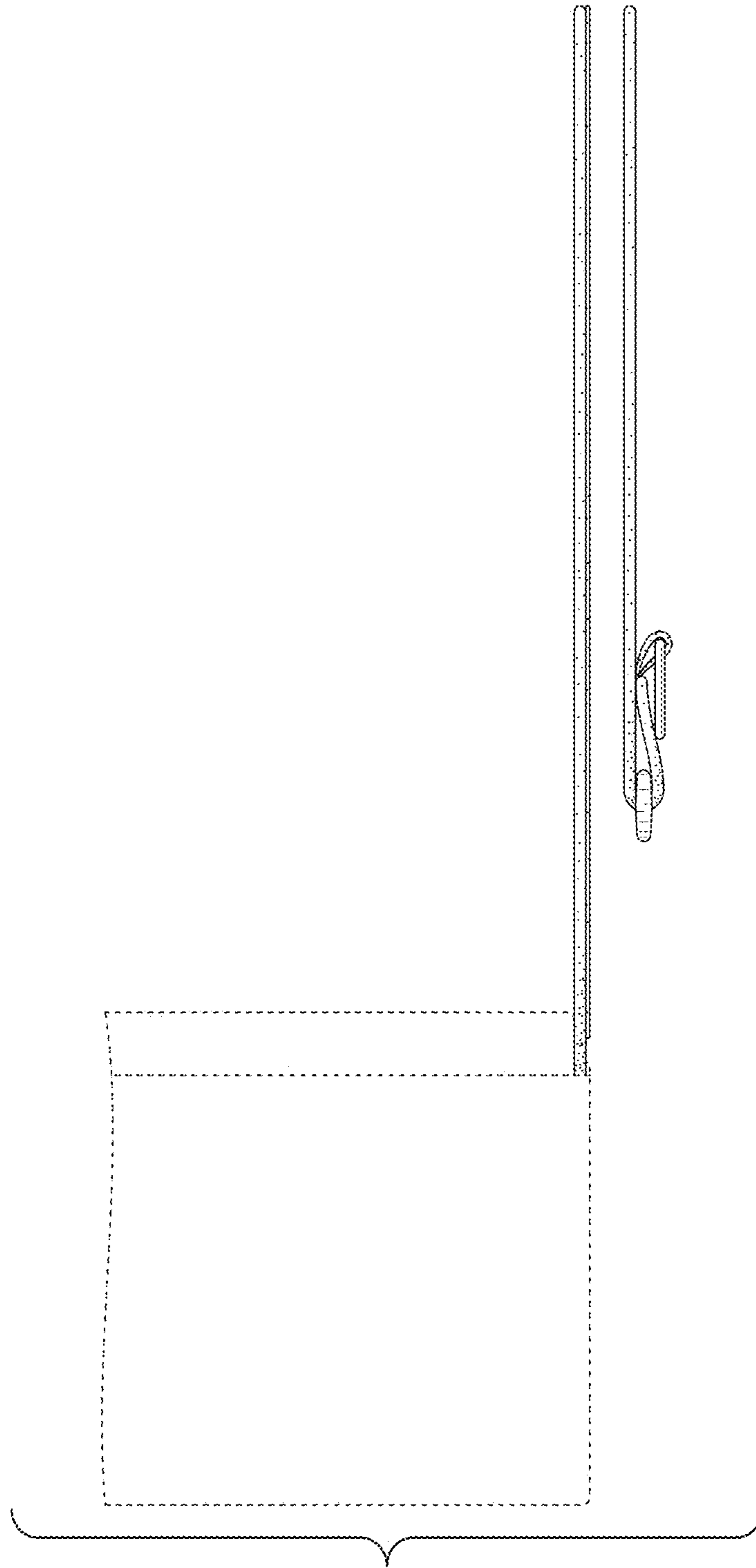


FIG. 4

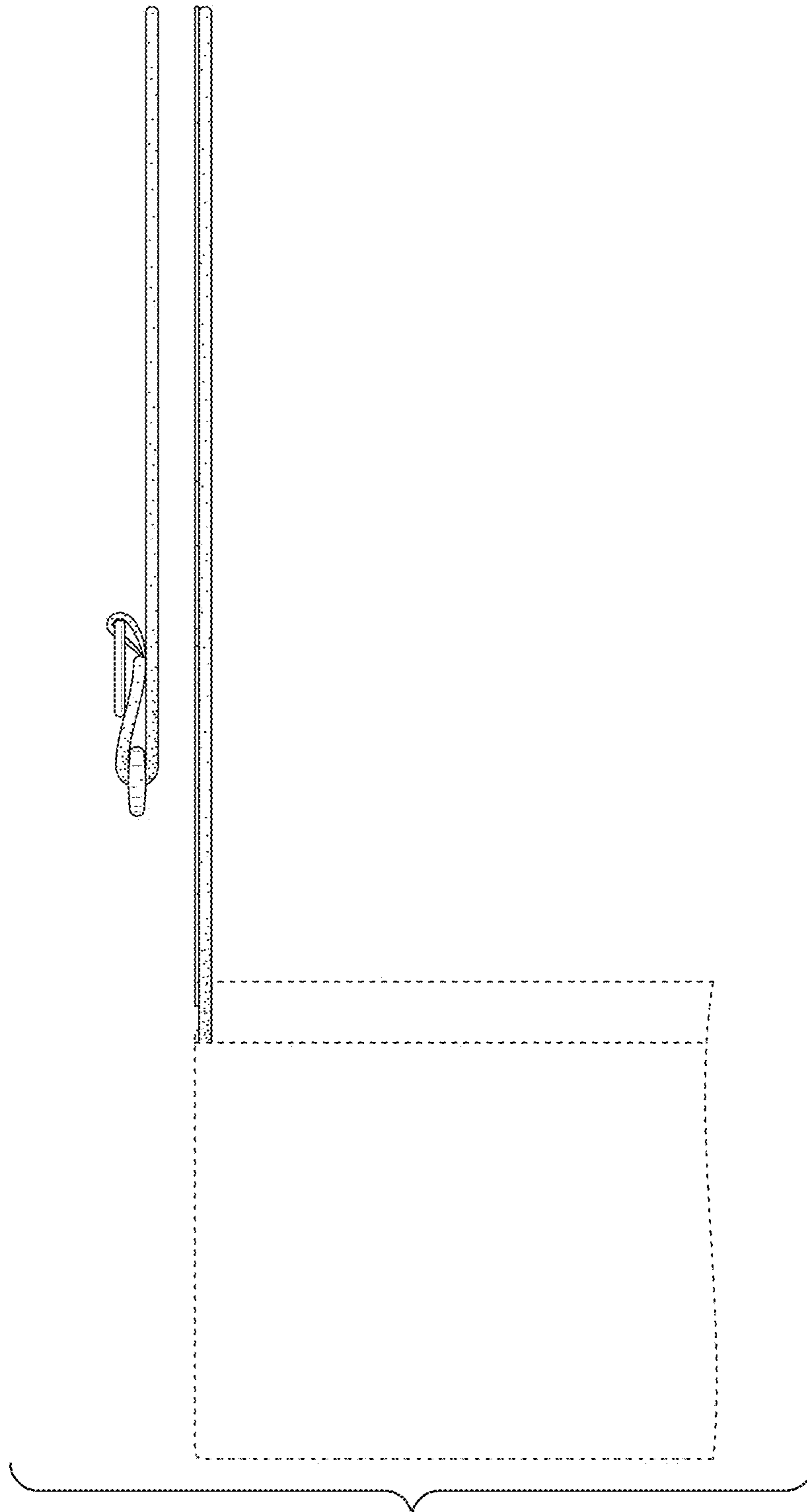


FIG. 5

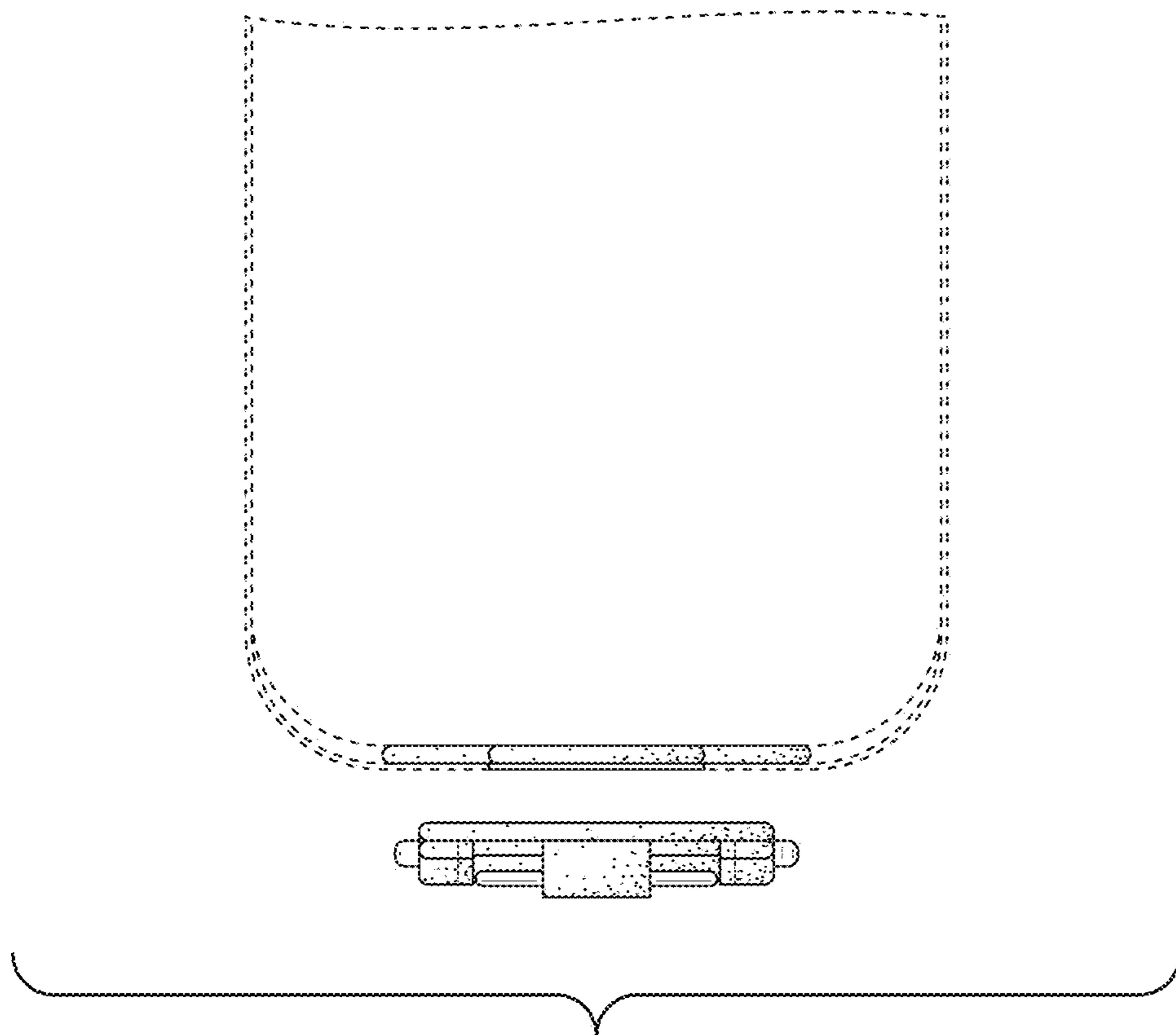
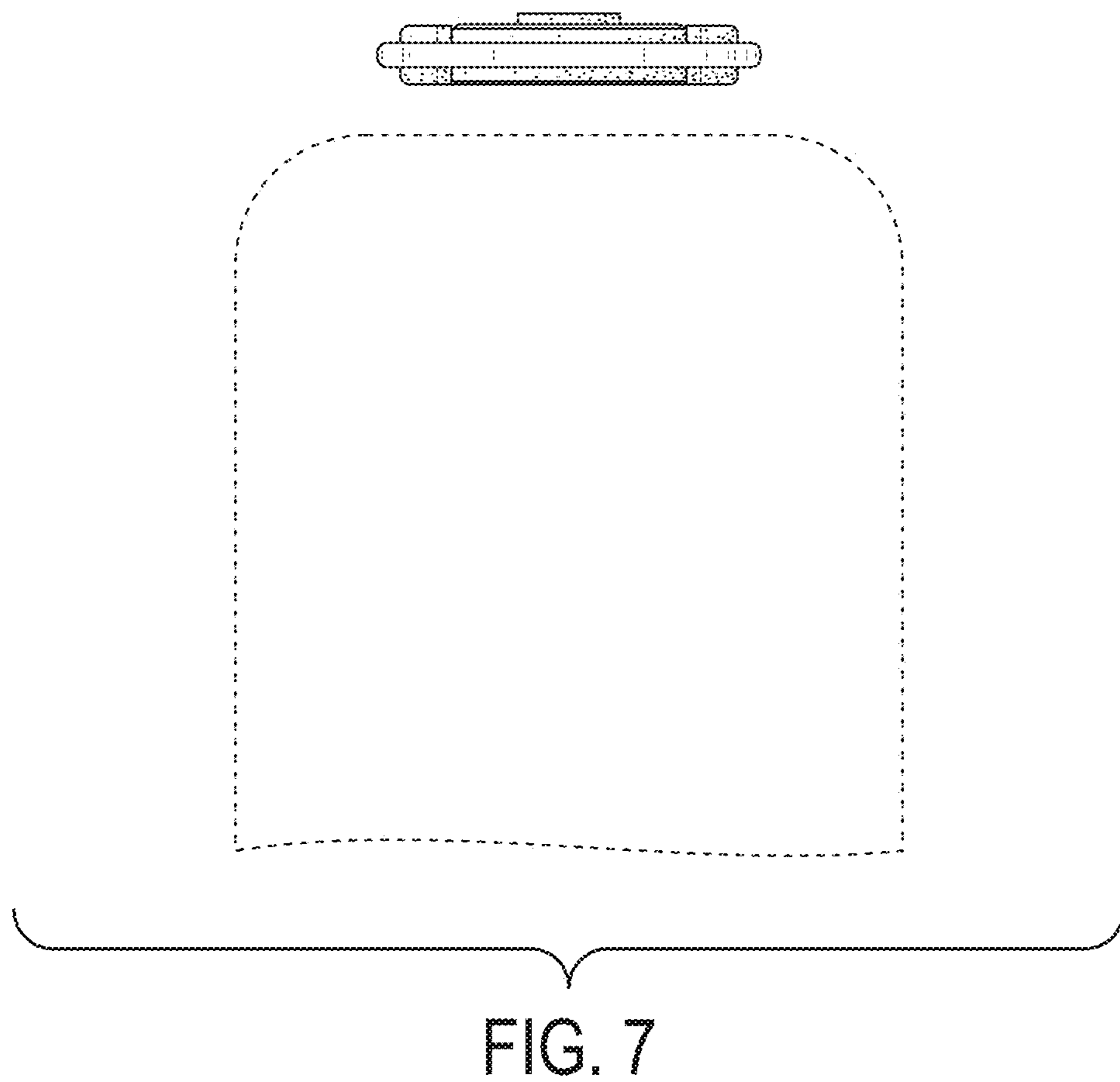


FIG. 6





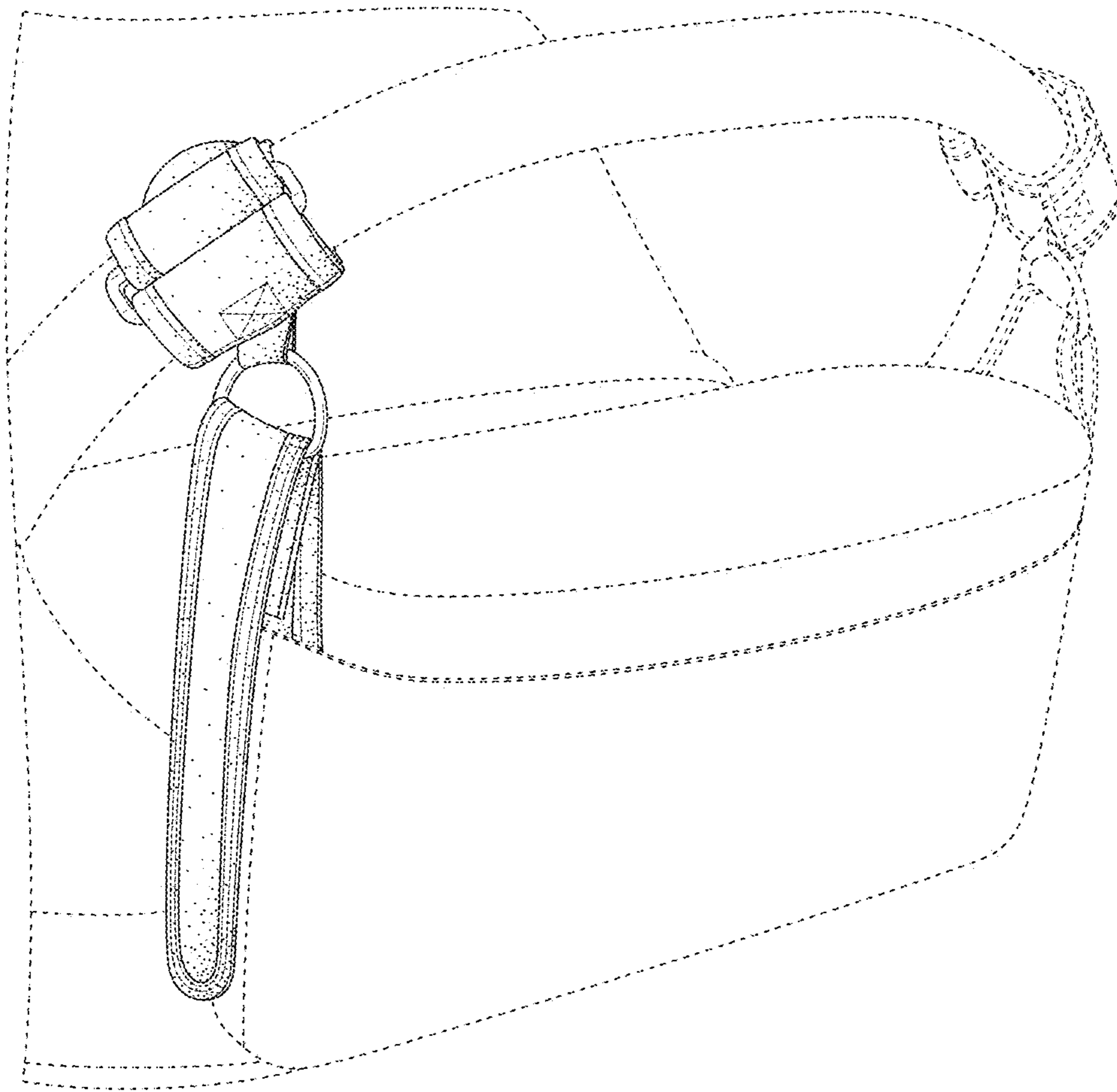


FIG. 8

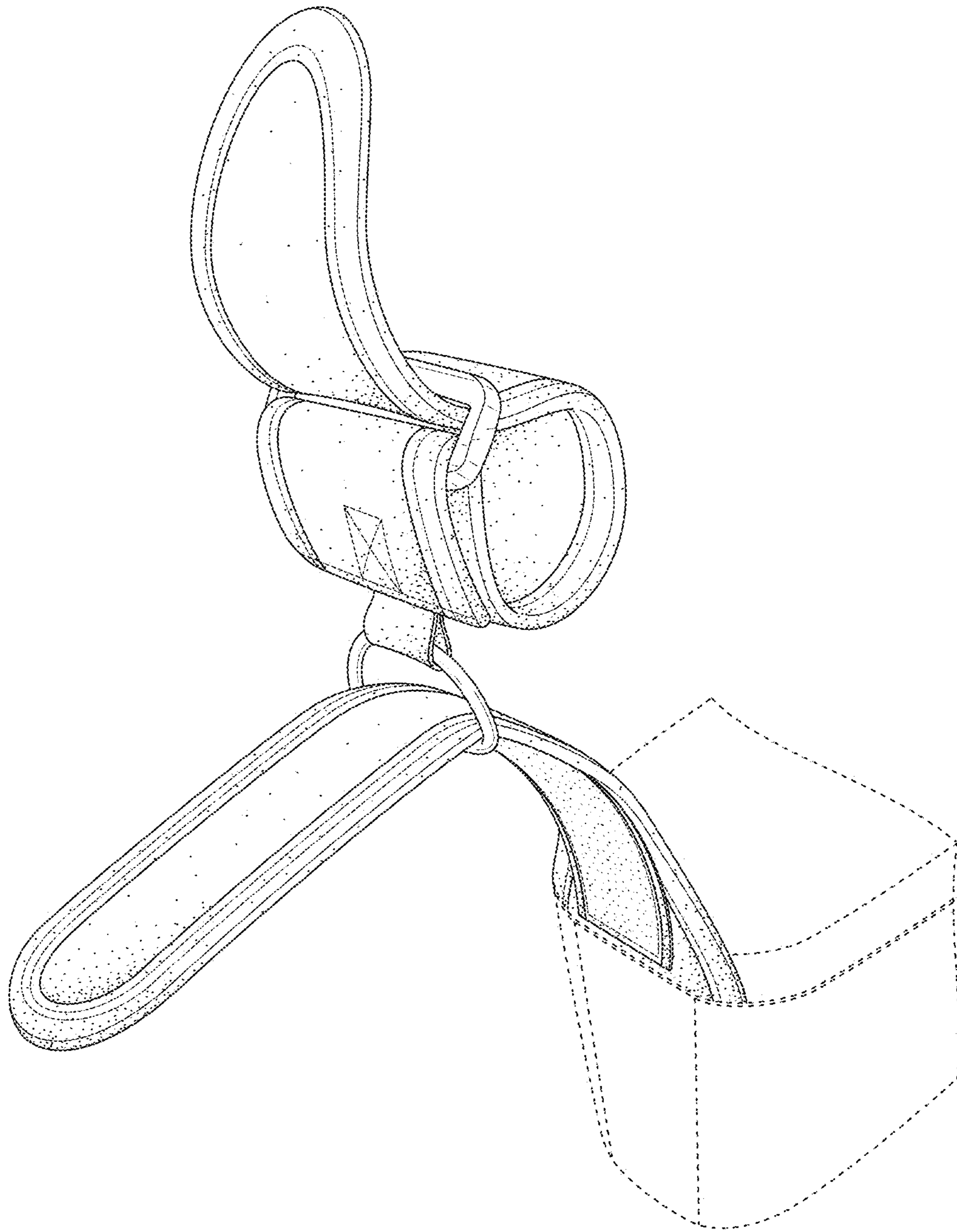


FIG. 9