



US00D943277S

(12) **United States Design Patent** (10) **Patent No.:** **US D943,277 S**
Weiksnar (45) **Date of Patent:** **** Feb. 15, 2022**

(54) **BOTTLE CARRIER AND SUPPORT**

D396,749 S * 8/1998 Ortiz D3/284
D398,195 S * 9/1998 Rausch D7/607
D585,637 S * 2/2009 Schnackenberg D3/202

(71) Applicant: **Jodi Weiksnar**, Palm City, FL (US)

(Continued)

(72) Inventor: **Jodi Weiksnar**, Palm City, FL (US)

Primary Examiner — Kelley A Donnelly

(73) Assignee: **FOUR KID INVESTORS L.L.C.**,
Palm City, FL (US)

(74) *Attorney, Agent, or Firm* — Kilpatrick Townsend &
Stockton LLP

(**) Term: **15 Years**

(57) **CLAIM**

The ornamental design for a bottle carrier and support, as shown and described.

(21) Appl. No.: **29/664,125**

DESCRIPTION

(22) Filed: **Sep. 21, 2018**

(51) **LOC (13) Cl.** **03-01**

(52) **U.S. Cl.**
USPC **D3/310**

(58) **Field of Classification Search**
USPC D3/304, 307, 310, 313, 315, 316, 318,
D3/319, 328; D9/455
CPC . B65D 1/00; B65D 1/02; B65D 11/00; B65D
11/02; B65D 11/20; B65D 21/02; B65D
21/0201; B65D 23/00; B65D 23/001
See application file for complete search history.

FIG. 1 is a side perspective of a bottle carrier and support, indicating a central support structure with brackets configured to hold a sports bottle.

FIG. 2 is a side perspective view of FIG. 1, showing a plurality of brackets, with the top removed.

FIG. 3 is a side perspective view of a mesh bag that may be positioned within the central support.

FIG. 4 is a bottom plan view of the bottle carrier and support of FIG. 1 without a base ring positioned along the base.

FIG. 5 is a top plan view of the bottle carrier and support of FIG. 1 with a base ring positioned along the base and viewable through the central portion of the bottle carrier.

FIG. 6 is a side perspective view of the mesh bag of FIG. 3 being positioned within a central support structure, prior to assembly of brackets thereto.

FIG. 7 is an exploded perspective view of one embodiment of the central support structure of FIG. 6.

FIG. 8 is a side perspective view of the bottle support and carrier of FIGS. 1 and 2, showing optional handle removed; and,

FIG. 9 is a side perspective view of two bottle carriers and supports described herein in a stacked configuration.

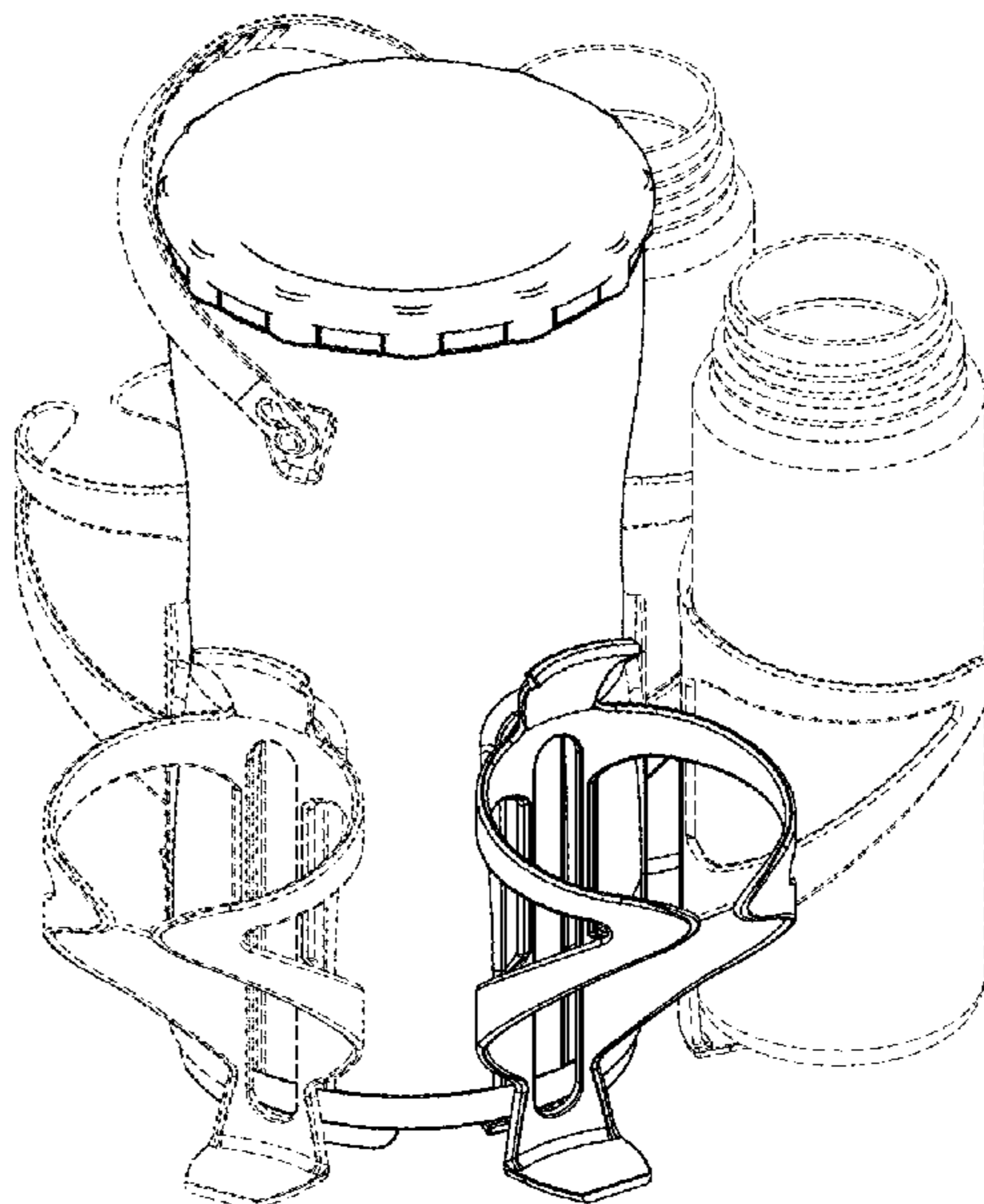
The shading provided on the figures is intended to provide perspective only and forms no part of the invention. The broken lines showing is included for the purpose of illustrating environment and forms no part of the claimed design.

(56) **References Cited**

U.S. PATENT DOCUMENTS

D242,685 S * 12/1976 Skidell D7/706
D276,023 S * 10/1984 Ullman D9/752
D280,773 S * 9/1985 Addy, Jr D3/309
4,889,245 A * 12/1989 Rinke B65D 71/50
211/49.1
D309,545 S * 7/1990 Ancona D7/300
5,415,277 A * 5/1995 Berntsen B65D 21/0212
206/144
5,682,982 A * 11/1997 Stonehouse B65D 71/42
206/142
5,695,232 A * 12/1997 Tipp A45F 5/10
206/150

1 Claim, 9 Drawing Sheets



(56)

References Cited

U.S. PATENT DOCUMENTS

D685,971 S * 7/2013 Thibault D32/54
D716,545 S * 11/2014 Waltrip D3/229
D729,073 S * 5/2015 Wasilewski D9/753
2021/0003336 A1* 1/2021 Lee

* cited by examiner

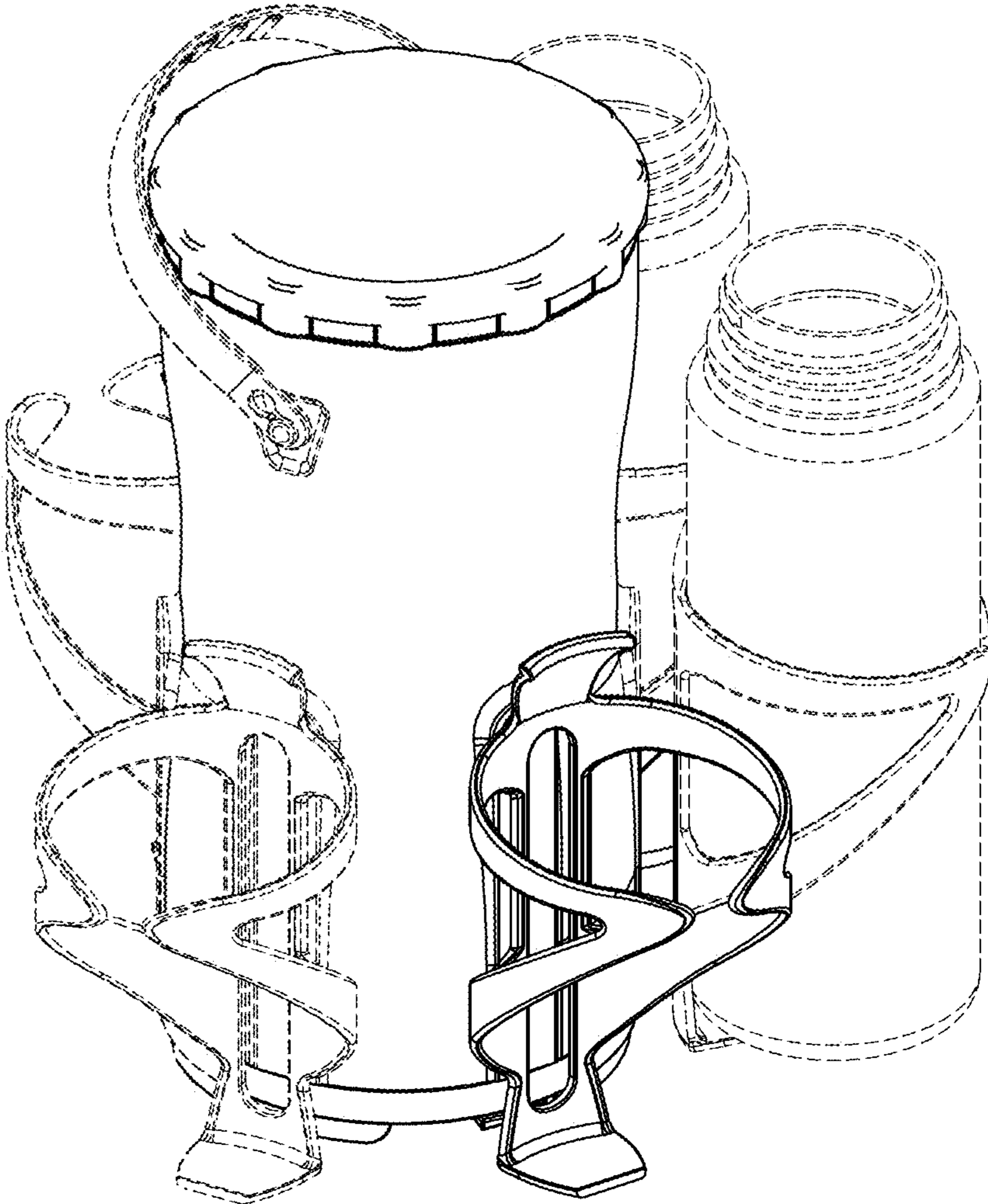


FIG. 1

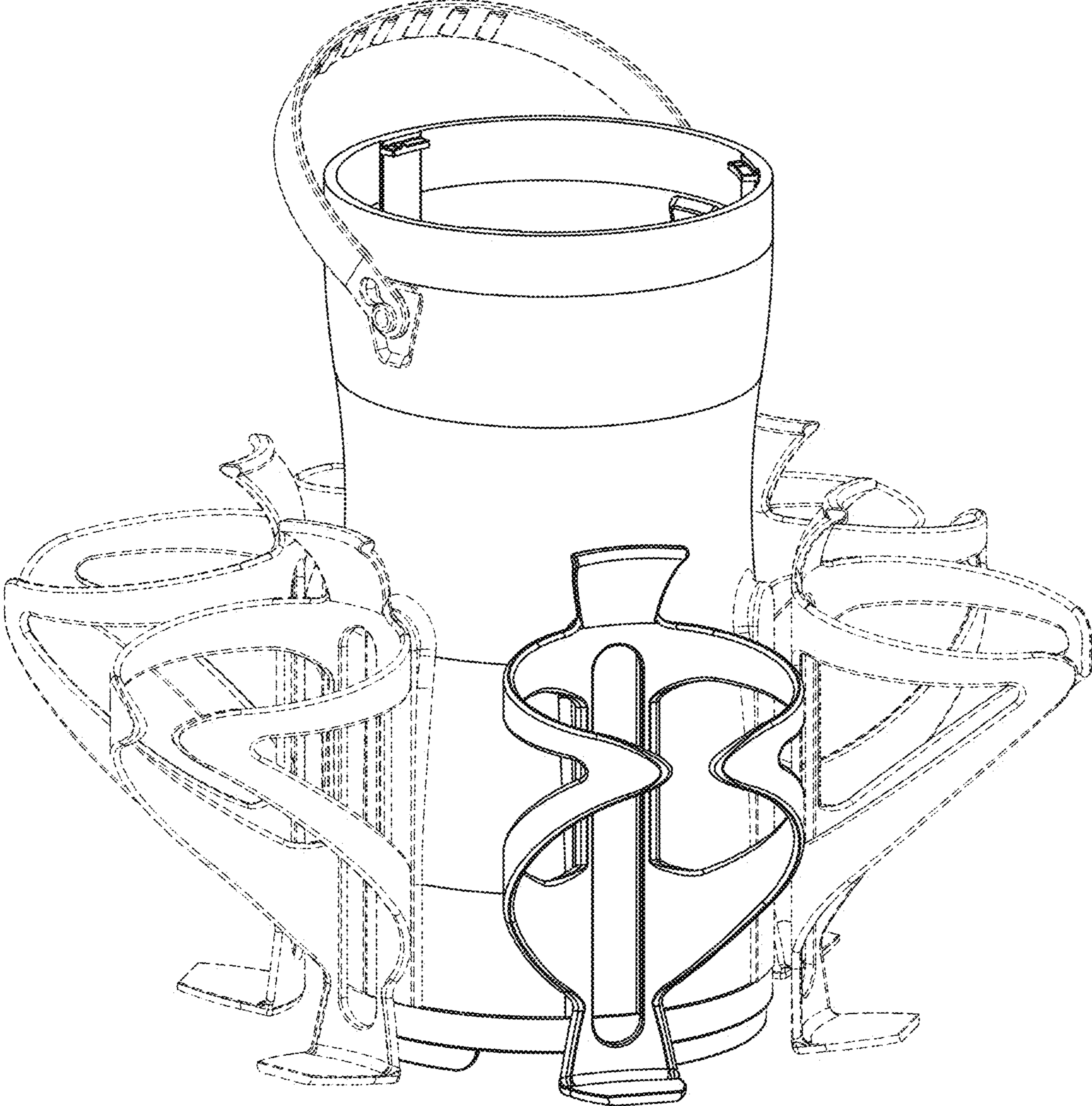


FIG. 2

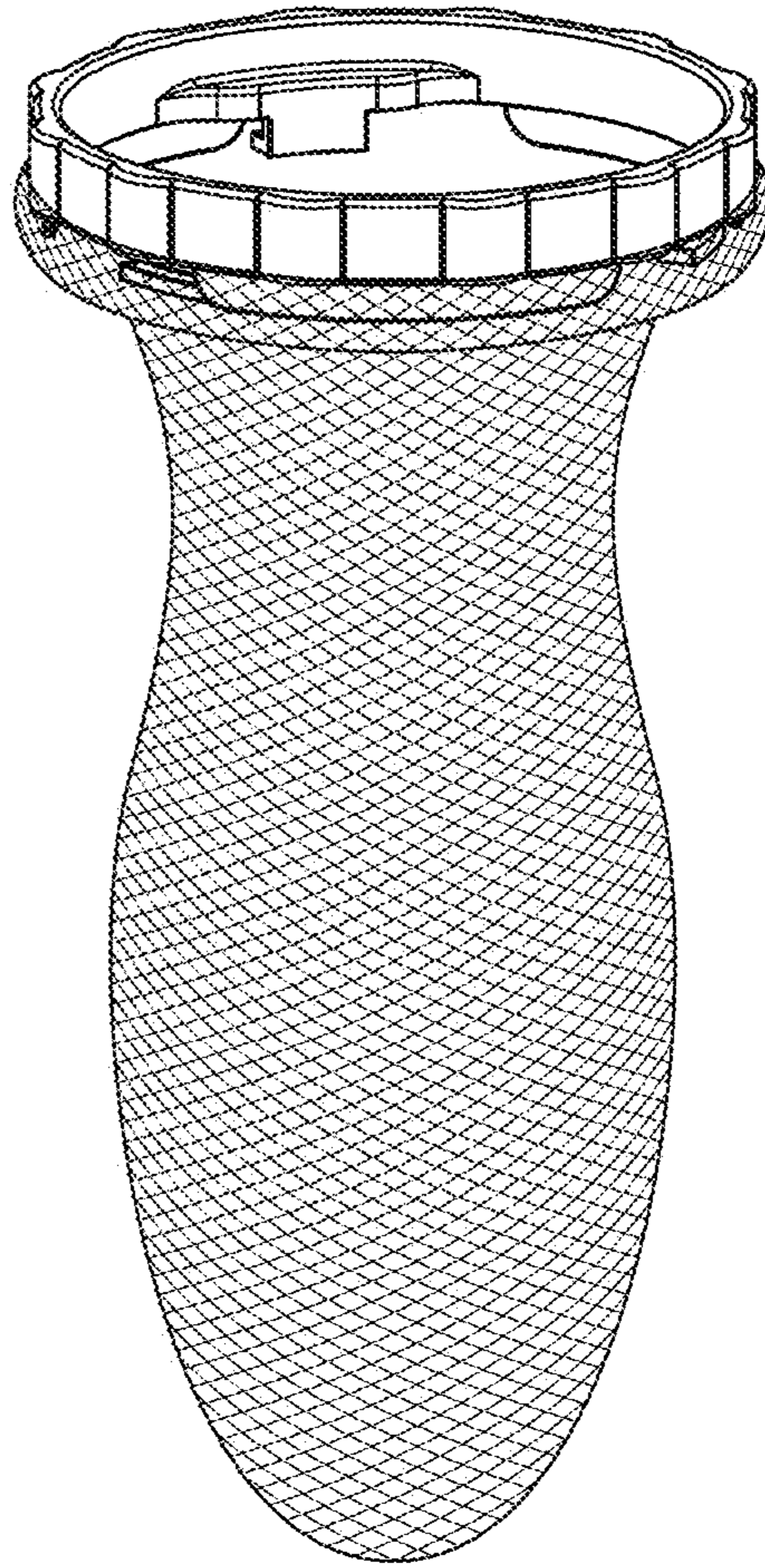


FIG. 3

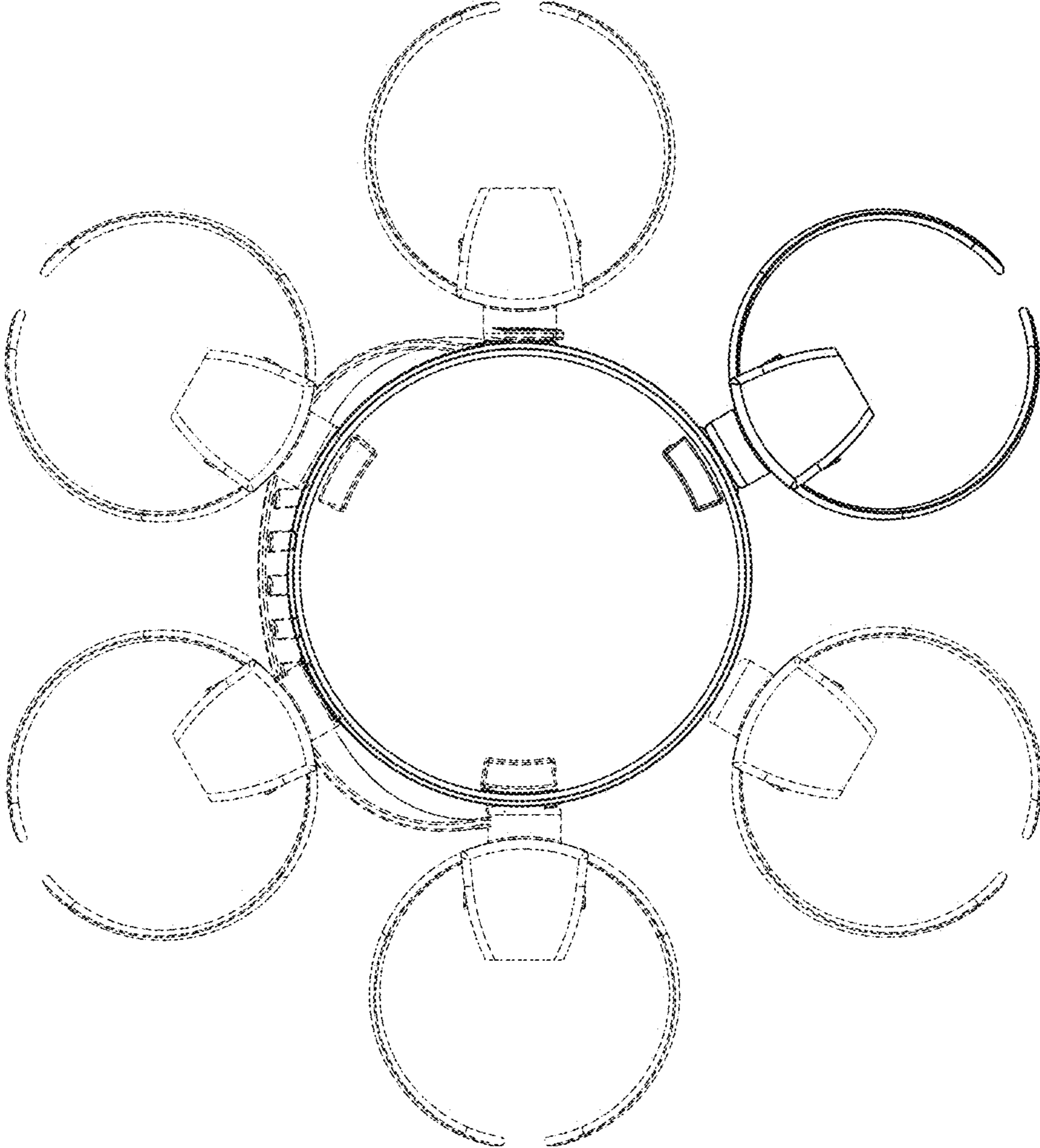


FIG. 4

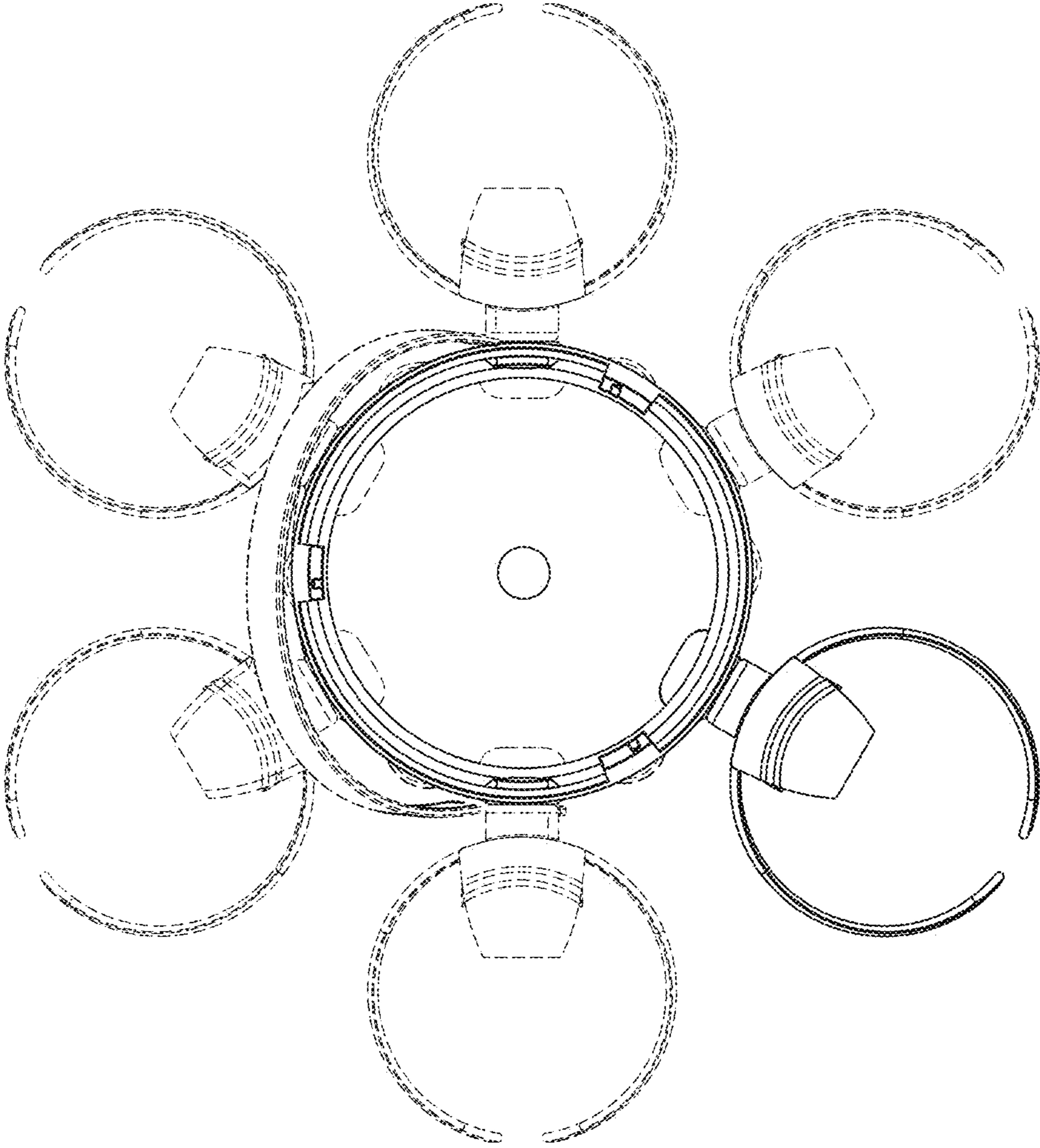


FIG. 5

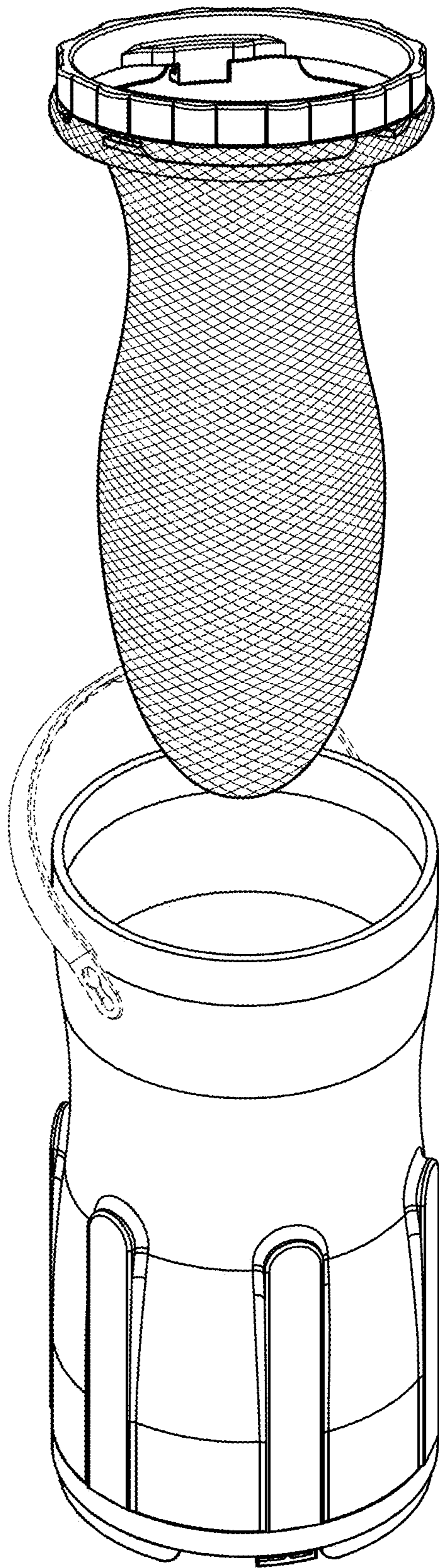


FIG. 6

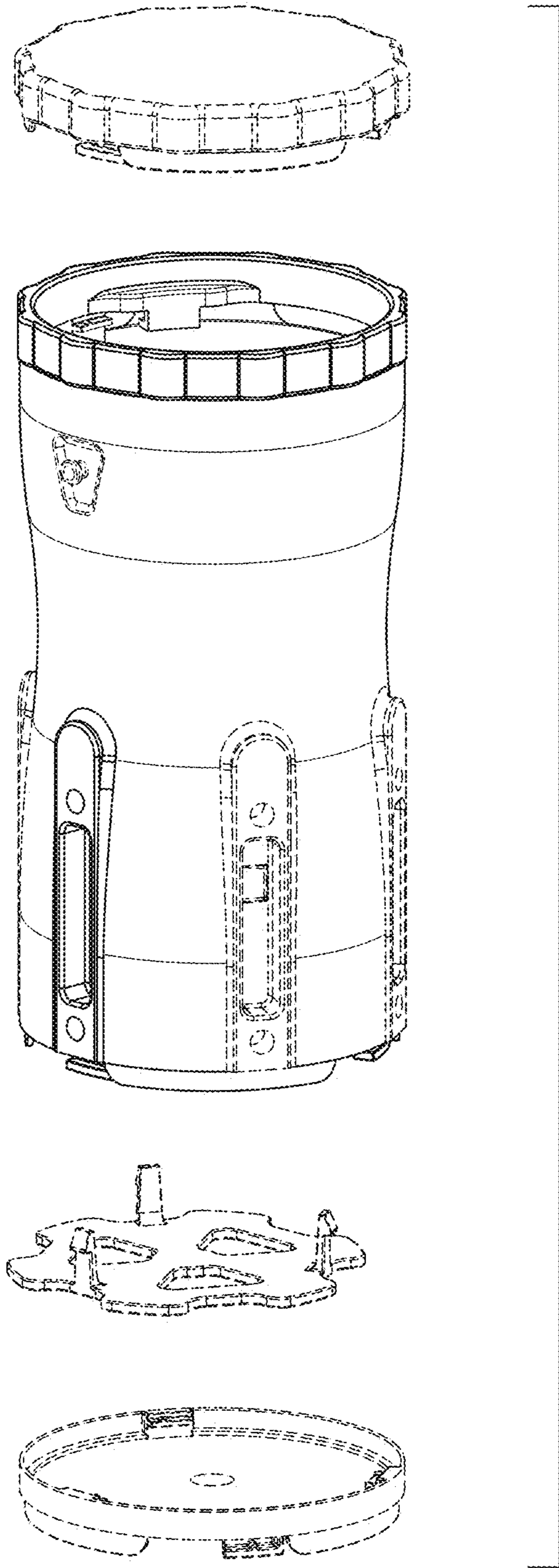


FIG. 7

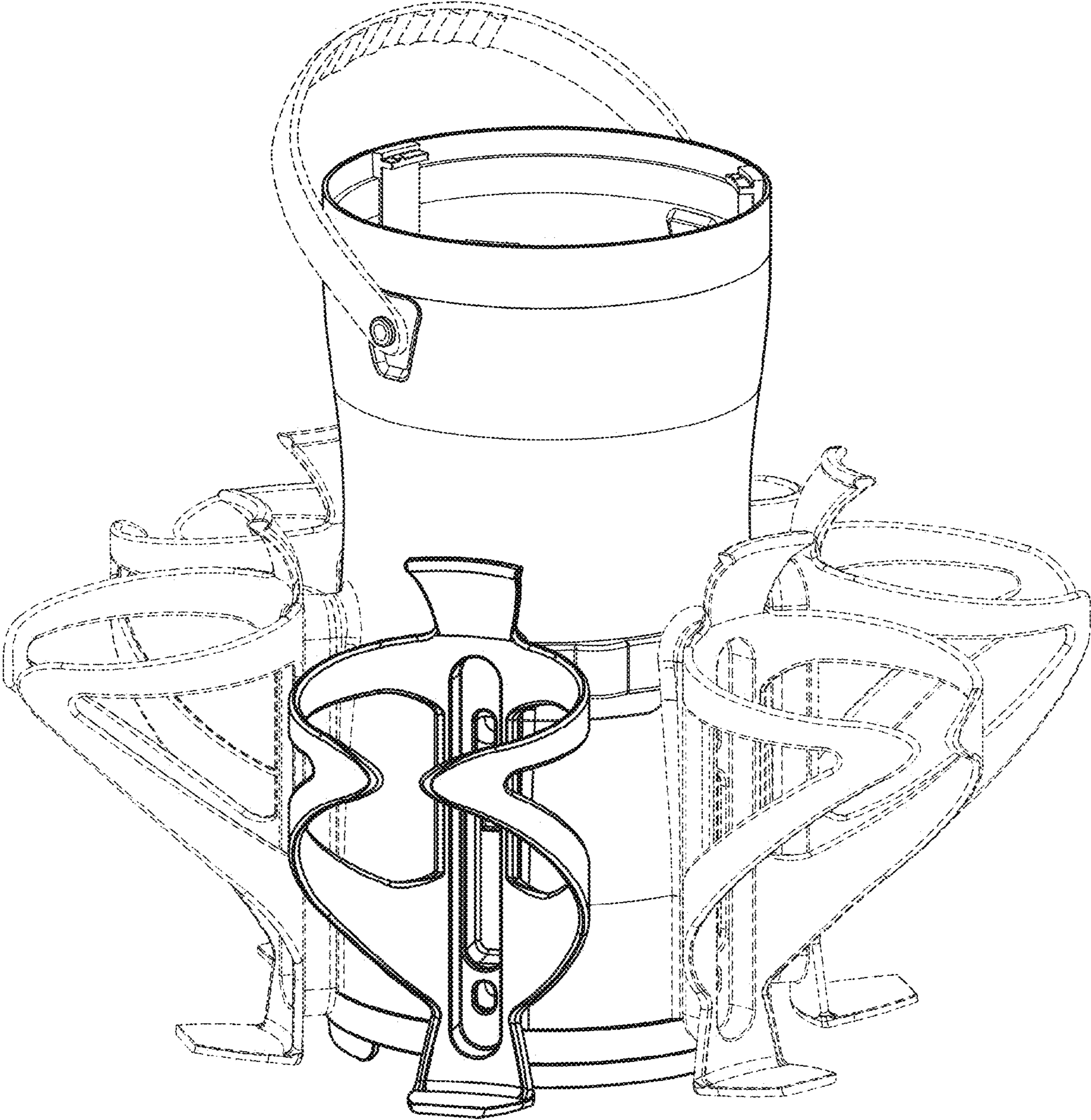


FIG. 8

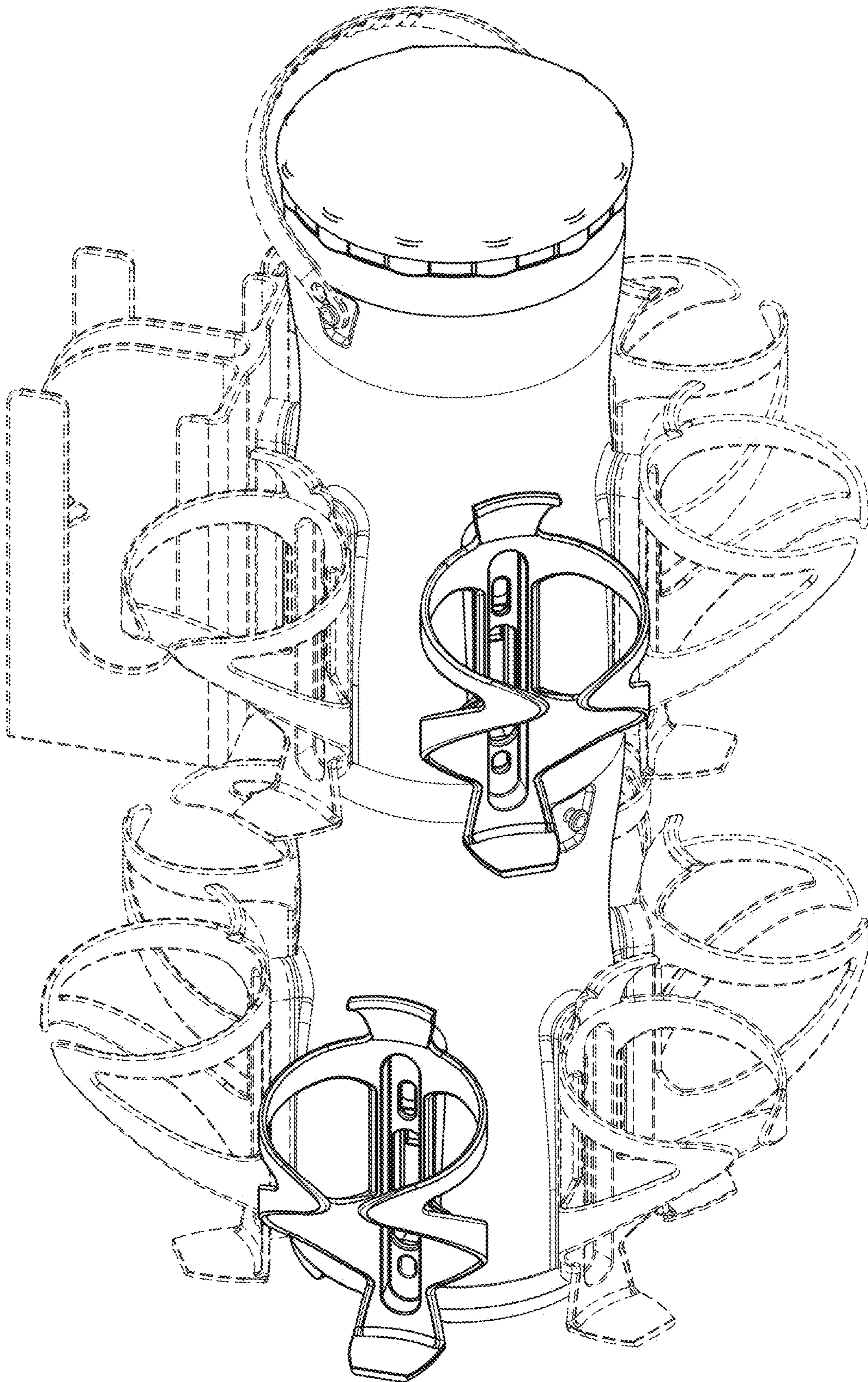


FIG. 9