



US00D943271S

(12) **United States Design Patent** (10) **Patent No.:** **US D943,271 S**  
**Martin** (45) **Date of Patent:** **\*\* Feb. 15, 2022**

(54) **HOLDER FOR PERSONAL CARE ITEMS**  
(71) Applicant: **Bath & Body Works Brand Management, Inc.**, Reynoldsburg, OH (US)

D632,460 S \* 2/2011 Kinder ..... D2/717  
D663,103 S \* 7/2012 Mims ..... D2/739  
D726,063 S \* 4/2015 Thompson ..... D11/81  
D779,946 S 2/2017 Tulencik

FOREIGN PATENT DOCUMENTS

(72) Inventor: **Lyndsi Martin**, Newark, OH (US)  
(73) Assignee: **Bath & Body Works Brand Management, Inc.**, Reynoldsburg, OH (US)

CN 209252611 U 8/2019

OTHER PUBLICATIONS

(\*\*) Term: **15 Years**  
(21) Appl. No.: **29/733,495**  
(22) Filed: **May 4, 2020**

Bow Wow Pet Wear Scrubs Hand Sanitizer Holder Key chain, announced Feb. 12, 2018 [online], [site visited Sep. 14, 2021]. Available from internet, URL: <<https://www.amazon.com/Scrubs-Hand-Sanitizer-Holder-chain/dp/B086M7DYQR>> (Year: 2018).\*

\* cited by examiner

(30) **Foreign Application Priority Data**  
Nov. 20, 2019 (GB) ..... 6076937  
Nov. 20, 2019 (GB) ..... 6076938

*Primary Examiner* — Kevin K Rudzinski  
*Assistant Examiner* — Amber J Rabie  
(74) *Attorney, Agent, or Firm* — Andrus Intellectual Property Law, LLP

(51) **LOC (13) Cl.** ..... **03-01**  
(52) **U.S. Cl.**  
USPC ..... **D3/211**

(57) **CLAIM**

The ornamental design for a holder for personal care items, as shown and described.

(58) **Field of Classification Search**  
USPC ..... D2/639, 717, 728, 731, 739, 741, 840, D2/841, 842, 853, 999  
See application file for complete search history.

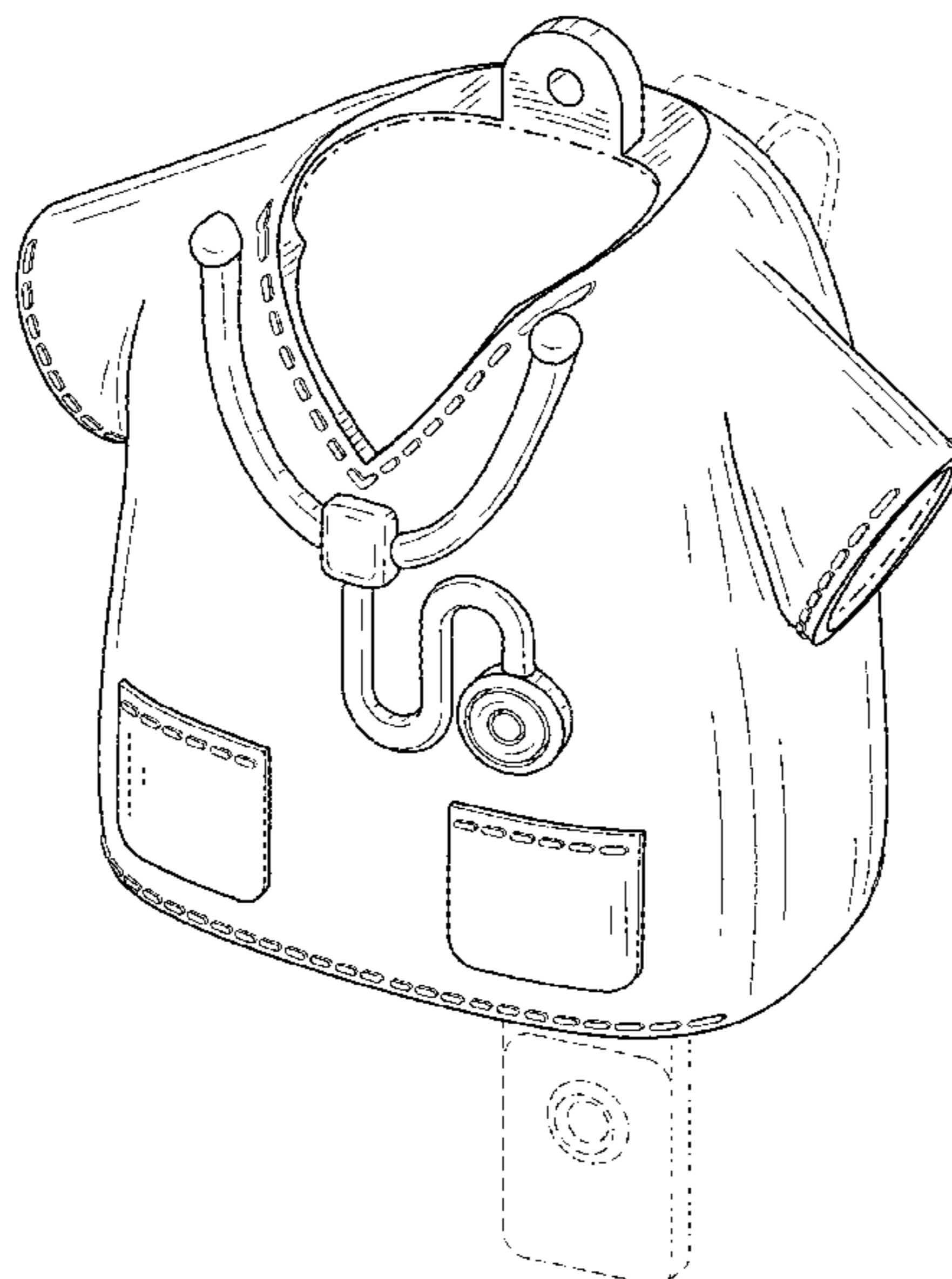
**DESCRIPTION**

(56) **References Cited**  
U.S. PATENT DOCUMENTS

FIG. 1 is a front perspective view of a holder for personal care items according to my new and ornamental design; FIG. 2 is a front elevation view thereof; FIG. 3 is a rear elevation view thereof; FIG. 4 is a right side elevation view thereof; FIG. 5 is a left side elevation view thereof; FIG. 6 is a top plan view thereof; and, FIG. 7 is a bottom plan view thereof. The dash-dot broken lines show the boundaries of the claimed design and form no part of the claim. The evenly dashed broken lines show portions of the holder for personal care items that form no part of the claim.

D306,938 S \* 4/1990 Overton ..... D3/211  
D321,786 S \* 11/1991 Kraus ..... D3/211  
D323,243 S \* 1/1992 Kraus ..... D11/81  
D387,553 S \* 12/1997 Fritsche ..... D3/211  
D399,052 S \* 10/1998 Fritsche ..... D3/211  
D408,131 S \* 4/1999 Fritsche ..... D3/211  
D408,132 S \* 4/1999 Fritsche ..... D3/211  
D509,343 S \* 9/2005 Bragg ..... D2/840  
D601,781 S \* 10/2009 Rhodes ..... D2/840

**1 Claim, 6 Drawing Sheets**



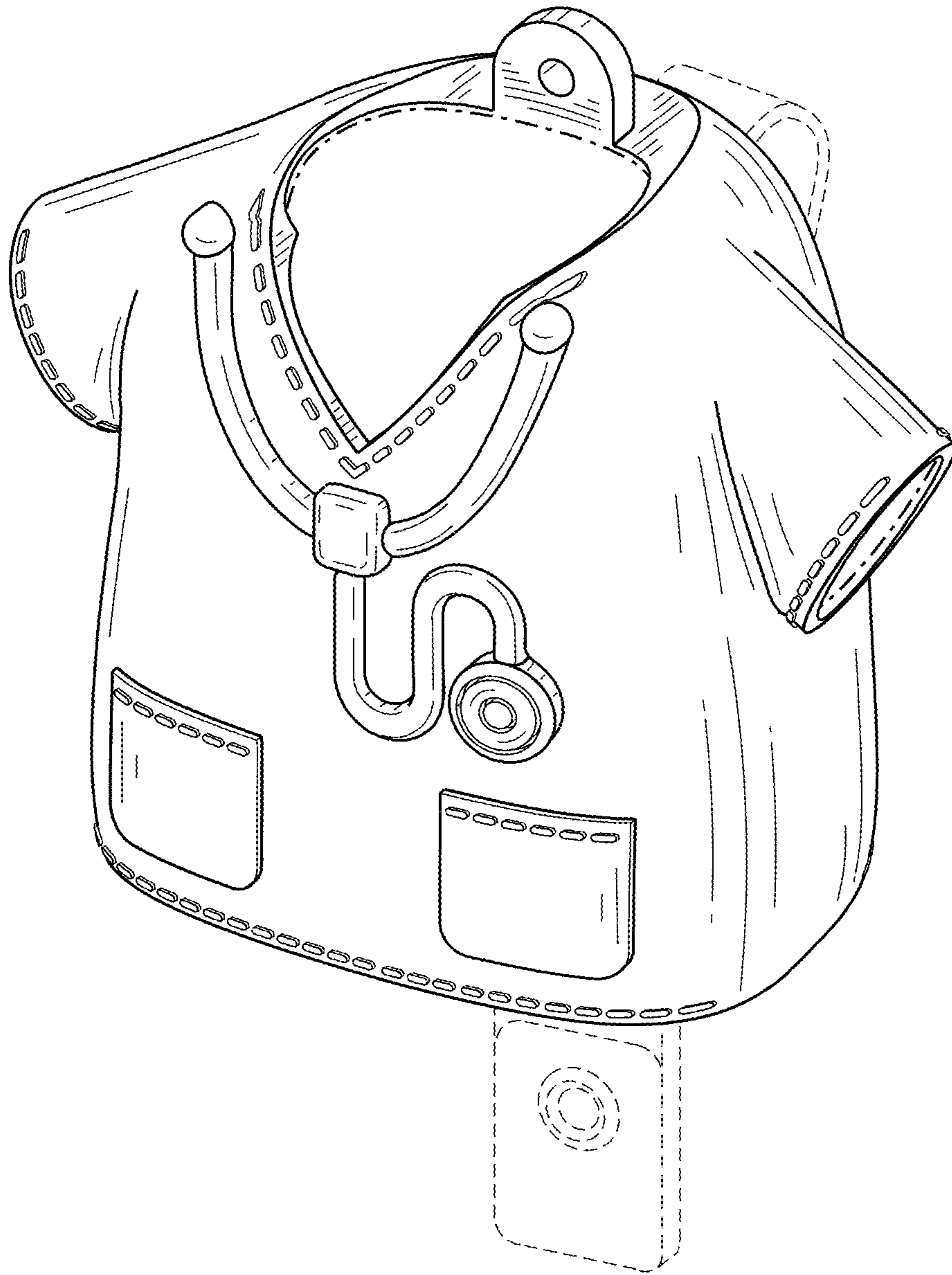


FIG. 1

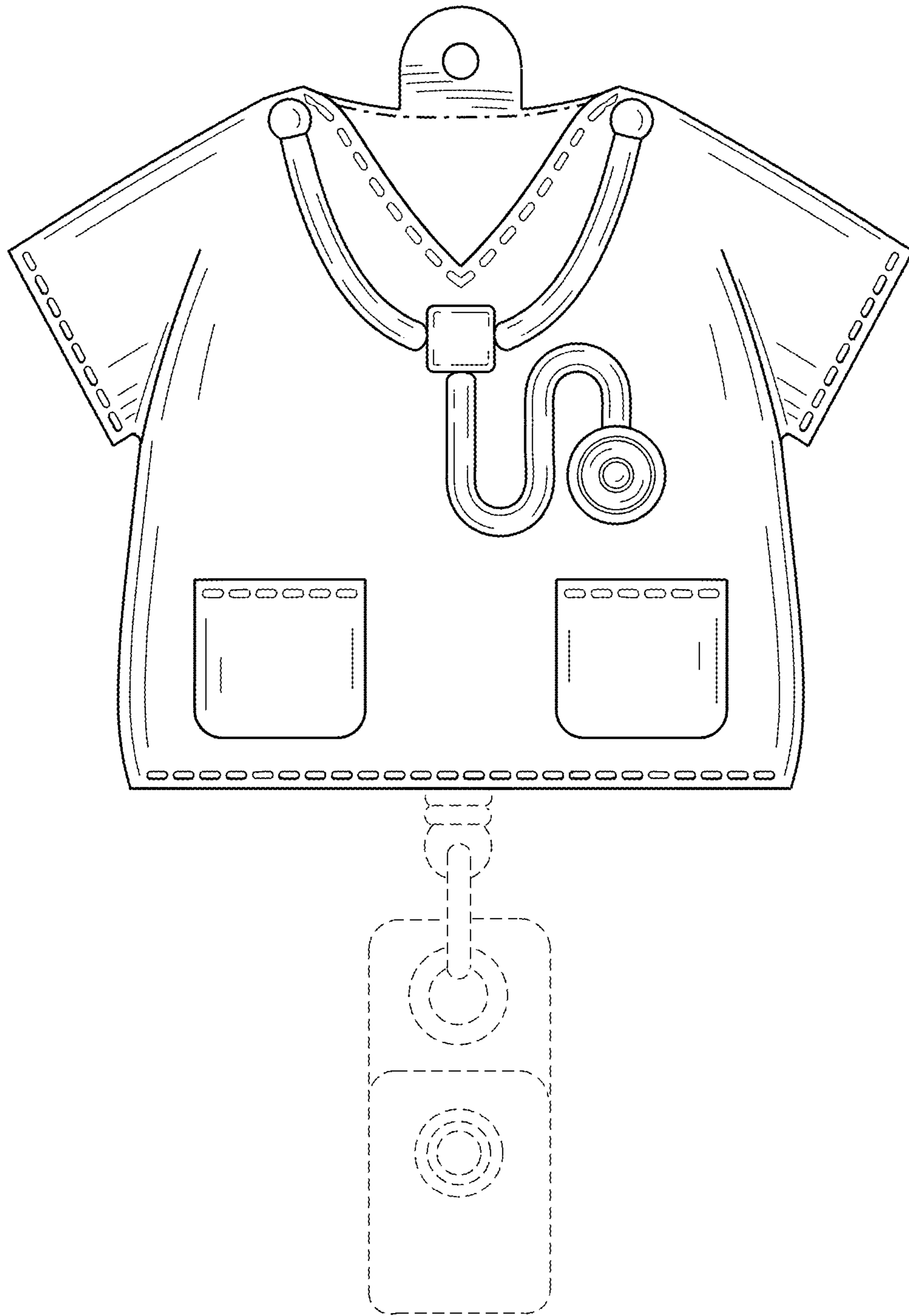


FIG. 2

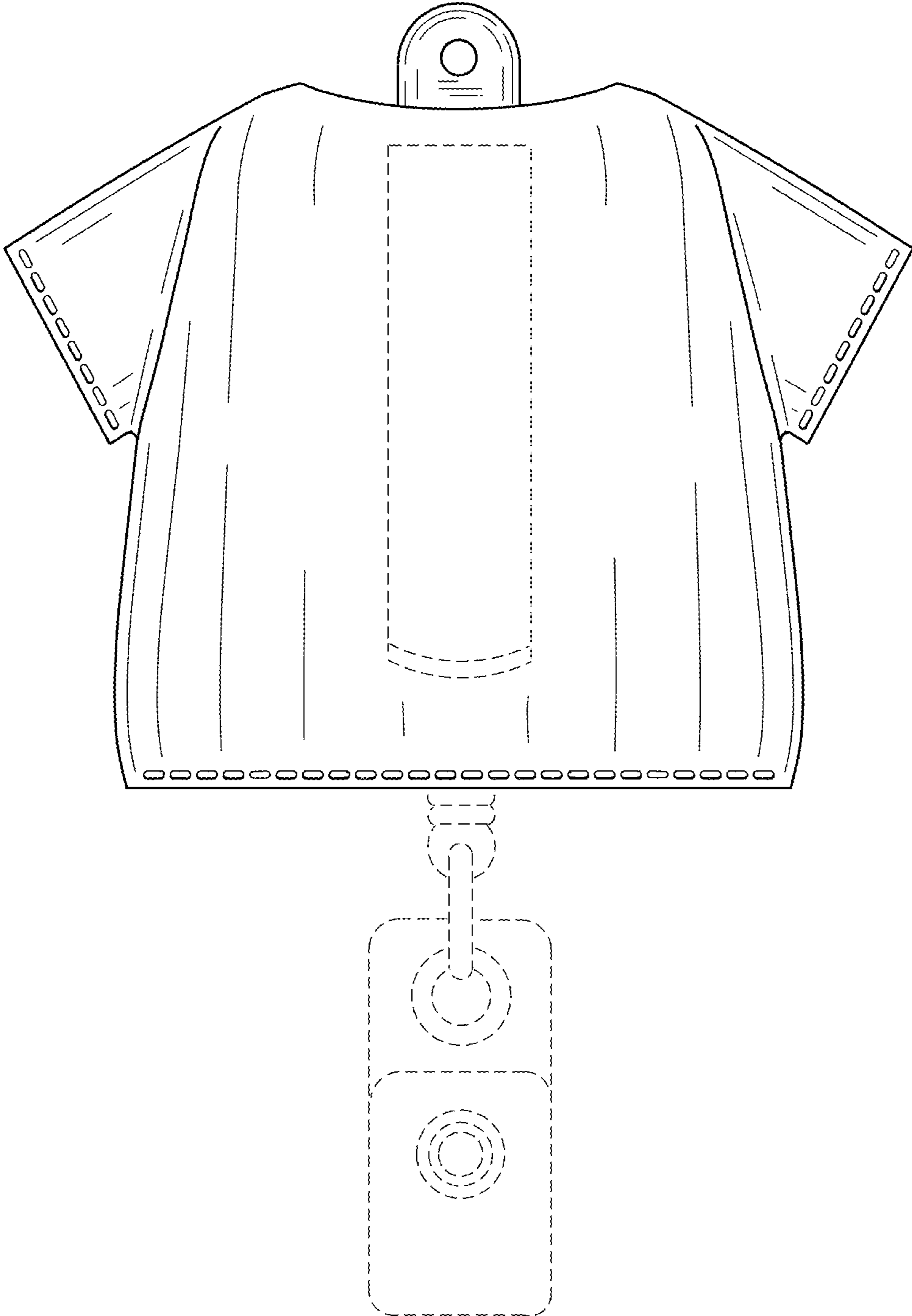


FIG. 3

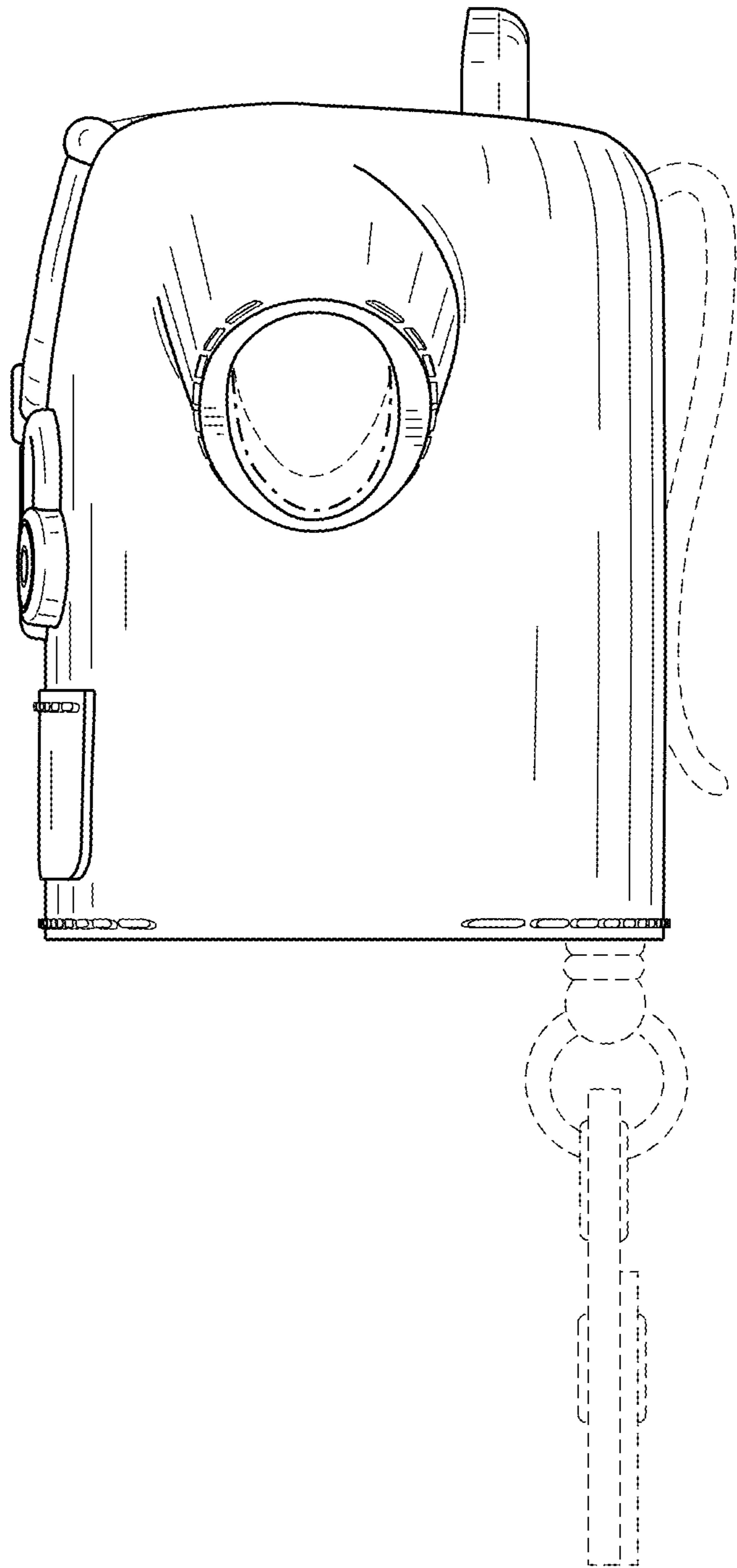


FIG. 4

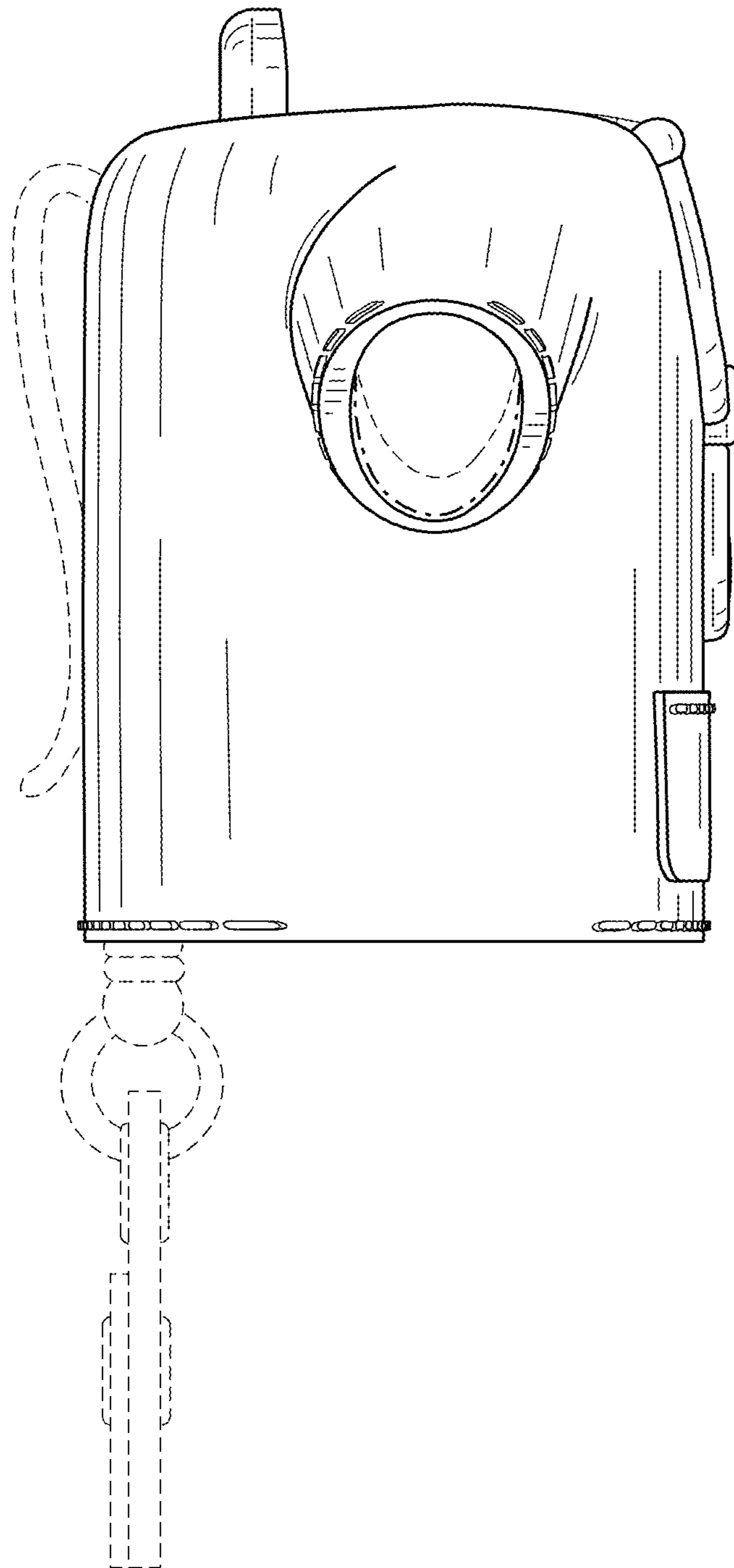


FIG. 5

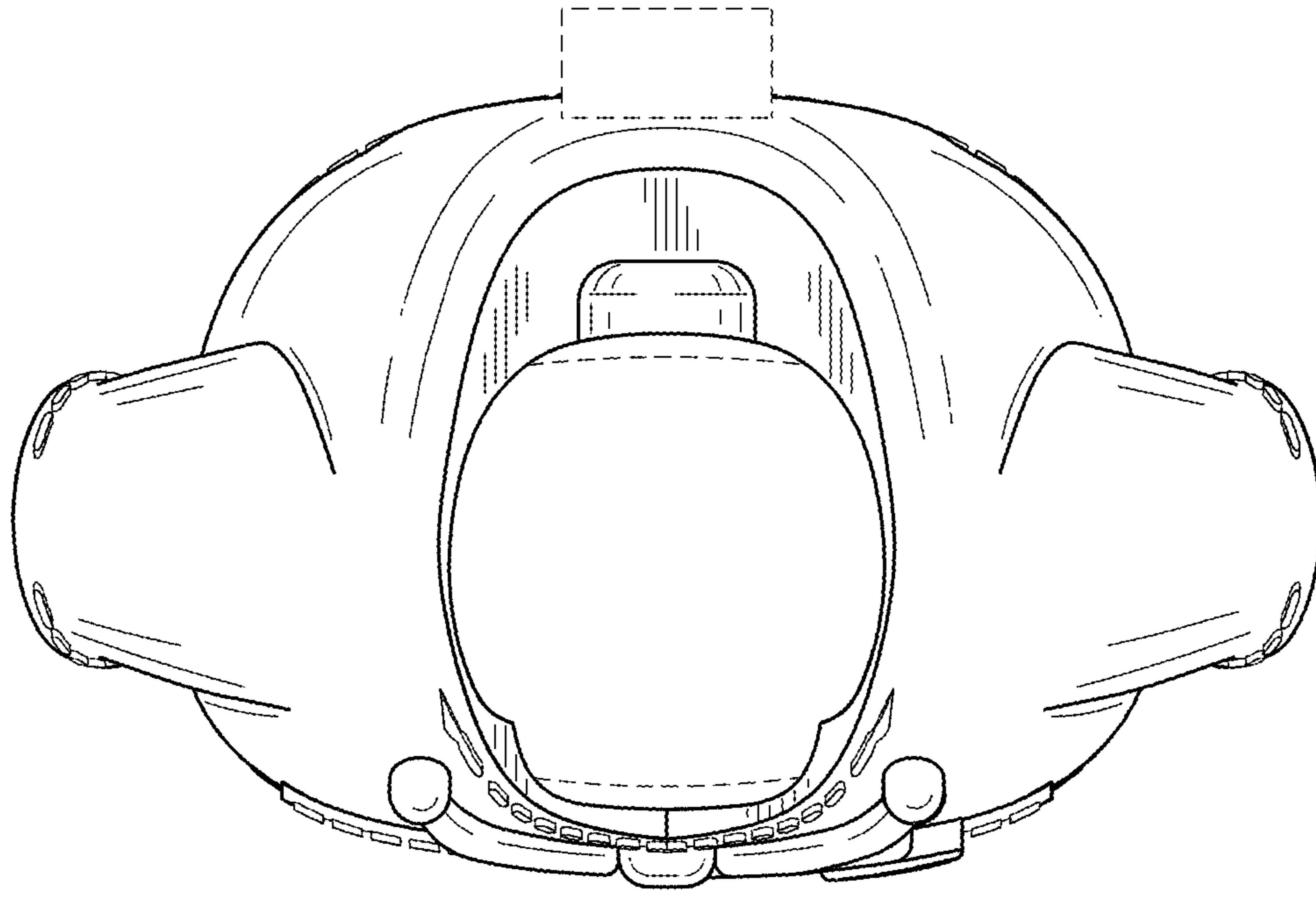


FIG. 6

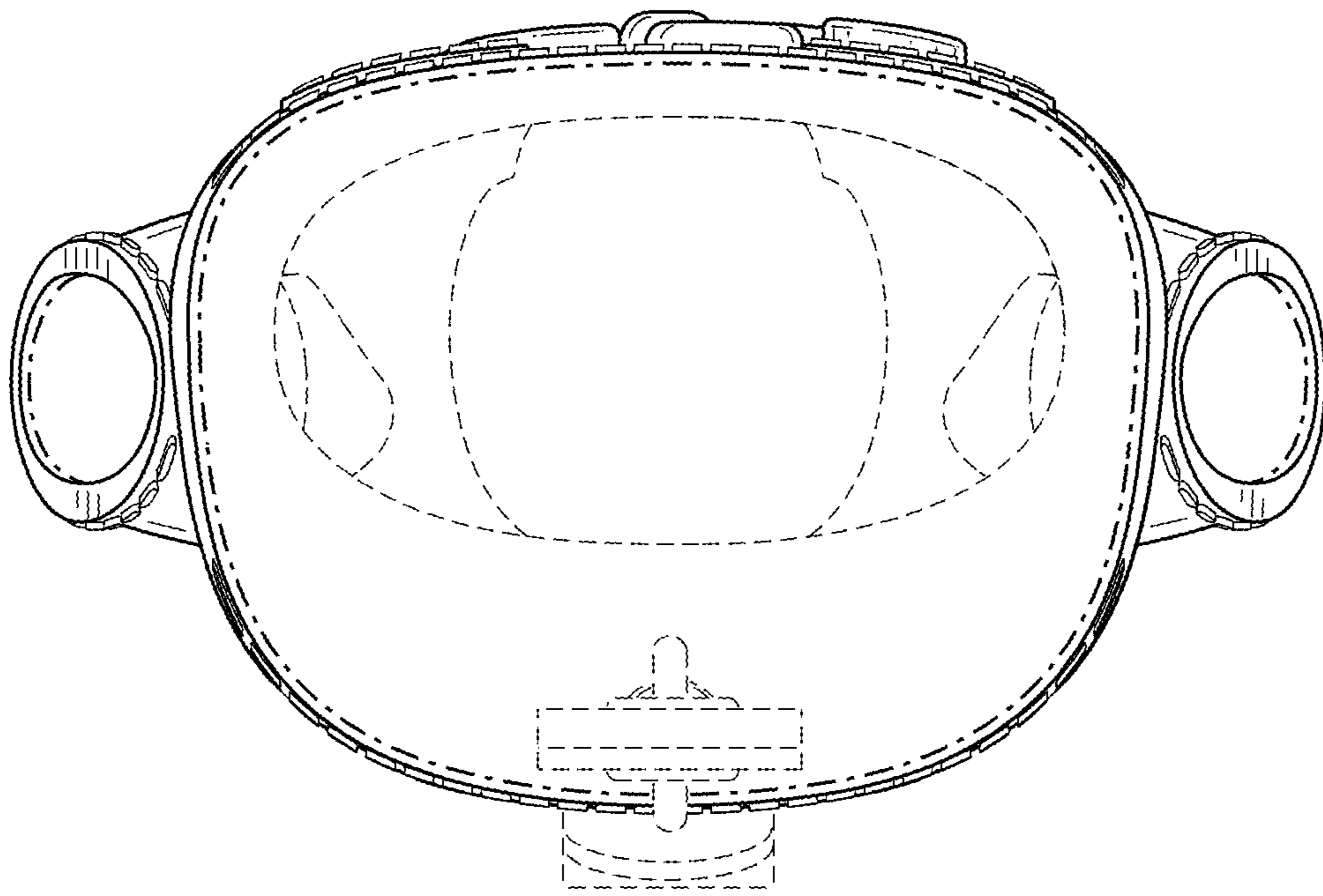


FIG. 7