



US00D943270S

(12) **United States Design Patent**
Carson

(10) **Patent No.:** **US D943,270 S**
(45) **Date of Patent:** **** Feb. 15, 2022**

(54) **KEYCHAIN WITH INSERTS**

(71) Applicant: **Fat Brain Toy Co., LLC**, Elkhorn, NE
(US)

(72) Inventor: **Adam Michael Carson**, Elkhorn, NE
(US)

(73) Assignee: **Fat Brain Toy Co., LLC**, Elkhorn, NE
(US)

(**) Term: **15 Years**

(21) Appl. No.: **29/745,841**

(22) Filed: **Aug. 10, 2020**

Related U.S. Application Data

(63) Continuation of application No. 29/678,640, filed on
Jan. 30, 2019, now Pat. No. Des. 892,493.

(51) **LOC (13) Cl.** **03-01**

(52) **U.S. Cl.**
USPC **D3/207**

(58) **Field of Classification Search**
USPC D3/201, 207, 208, 209, 210, 211, 212
CPC A44B 15/00; Y10T 70/8676
See application file for complete search history.

(56) **References Cited**

U.S. PATENT DOCUMENTS

3,266,501	A	8/1966	Hankey	
3,503,235	A	3/1970	Field et al.	
3,599,457	A	8/1971	Kamp	
4,045,013	A	8/1977	Coster et al.	
D247,995	S	5/1978	Lage	
D450,182	S	11/2001	Truisi	
D475,195	S *	6/2003	Christianson	D3/209
6,938,768	B2	9/2005	Ferretti et al.	
7,771,200	B2	8/2010	Schultz	
D644,427	S	9/2011	Cunningham et al.	
D656,651	S *	3/2012	Gorman	D26/47

D797,041	S *	9/2017	Meyerhoffer	D13/107
2011/0068738	A1 *	3/2011	Gomi	B62K 15/00 320/108
2012/0204612	A1 *	8/2012	Carson	E05B 67/383 70/466

OTHER PUBLICATIONS

“Last Mouse Lost” from FoxMind, TTPM Toy Reviews, Nov. 18,
2014, <https://www.youtube.com/watch?v=3tflpiPn1Hs>.

* cited by examiner

Primary Examiner — Kevin K Rudzinski

Assistant Examiner — Amber J Rabie

(74) *Attorney, Agent, or Firm* — Mallory M. Henninger;
Advent, LLP

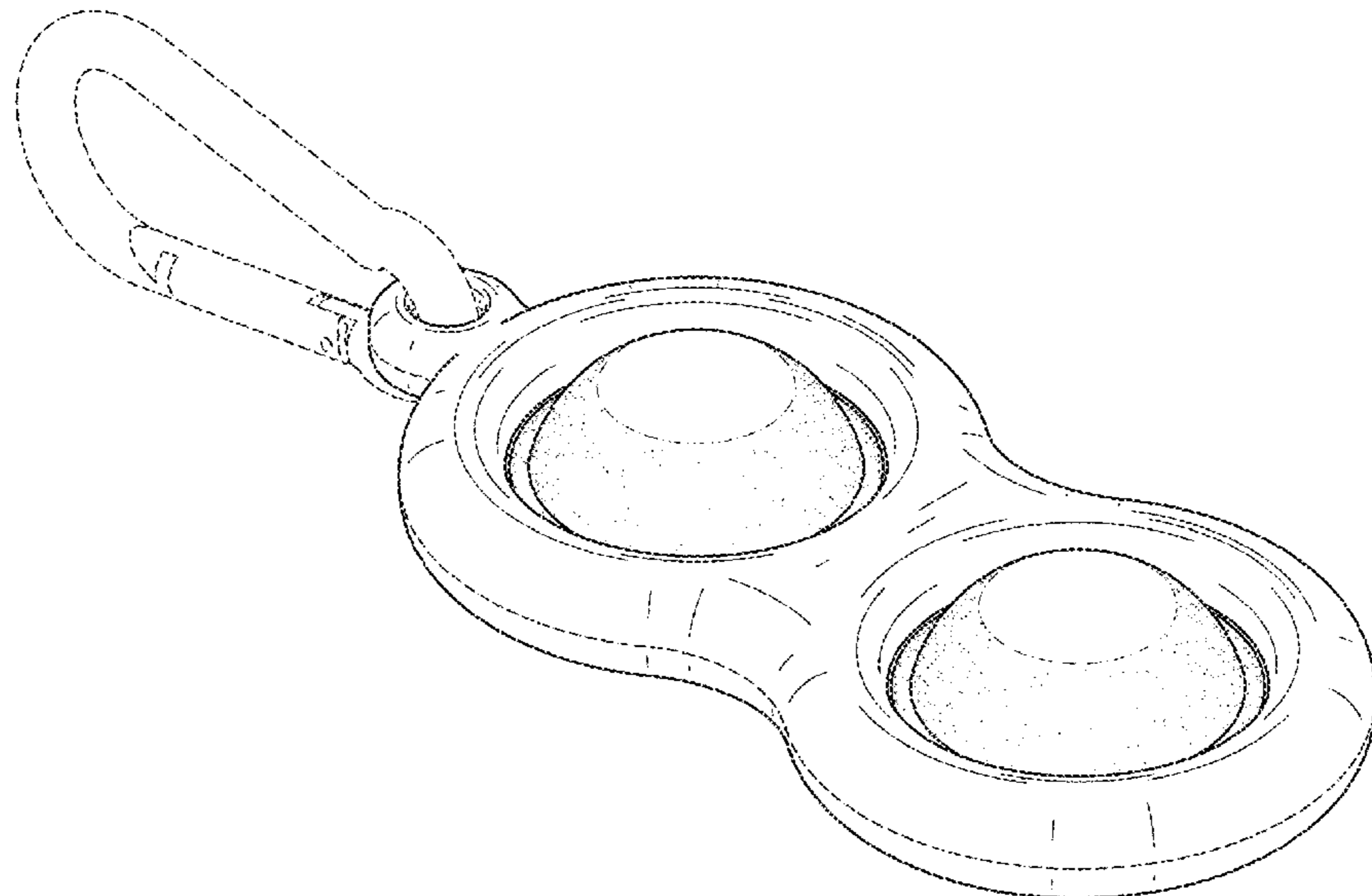
(57) **CLAIM**

The ornamental design for a keychain with inserts, as shown
and described.

DESCRIPTION

FIG. 1 is a top plan view of a keychain with inserts.
FIG. 2 is a bottom view of the keychain with inserts of FIG.
1.
FIG. 3 is a front elevation view of the keychain with inserts
of FIG. 1.
FIG. 4 is a rear elevation view of the keychain with inserts
of FIG. 1.
FIG. 5 is a left side elevation view of the keychain with
inserts of FIG. 1.
FIG. 6 is a right side elevation view of the keychain with
inserts of FIG. 1.
FIG. 7 is an isometric view of the keychain with inserts of
FIG. 1; and,
FIG. 8 is another isometric view of the keychain with inserts
of FIG. 1.
Portions of FIGS. 1 through 8 are shown in broken lines and
dash-dot-dash boundary lines illustrating portions of the
article that form no part of the claimed design.

1 Claim, 6 Drawing Sheets



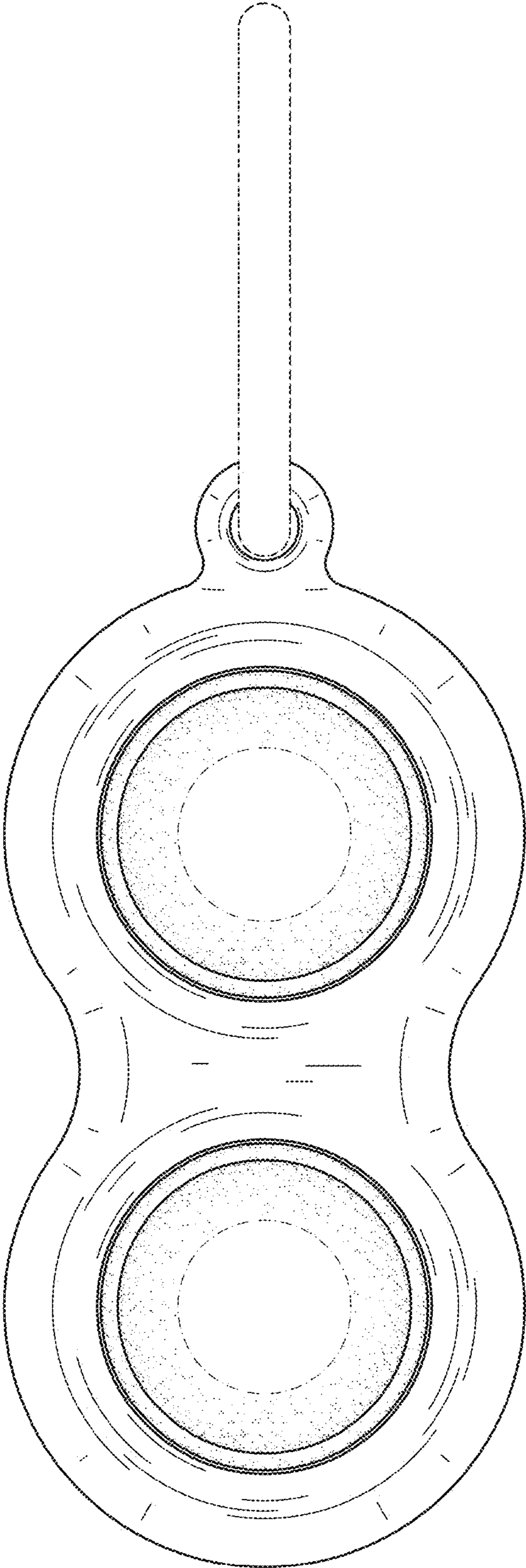


FIG. 1

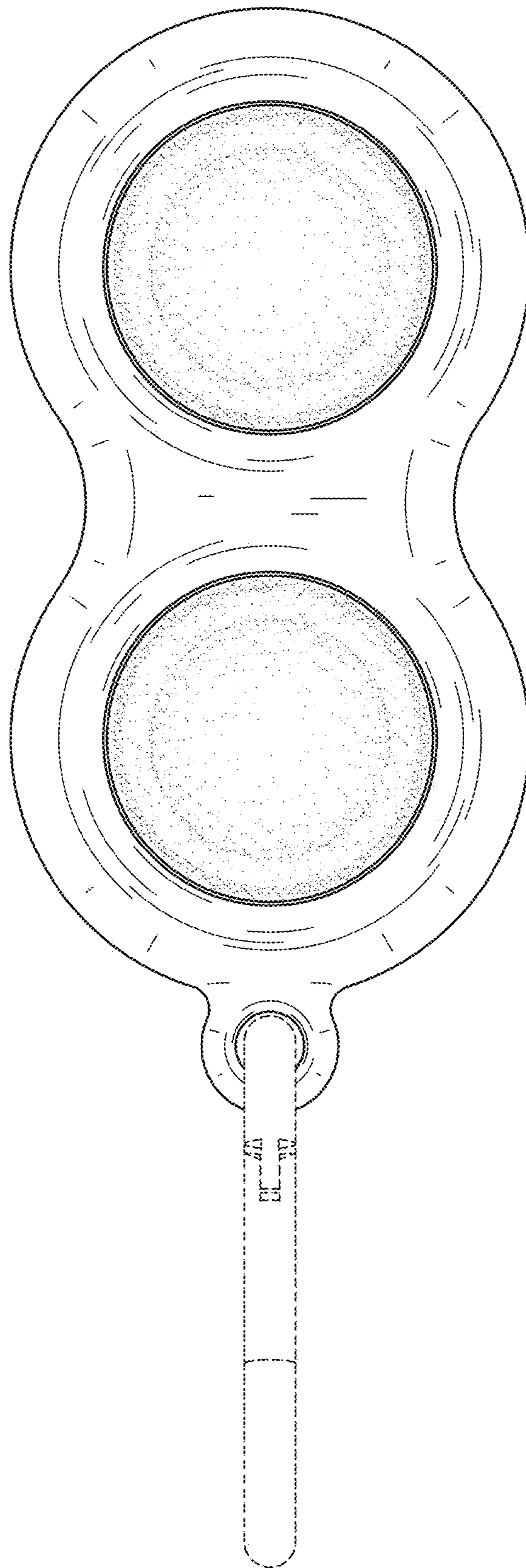


FIG. 2

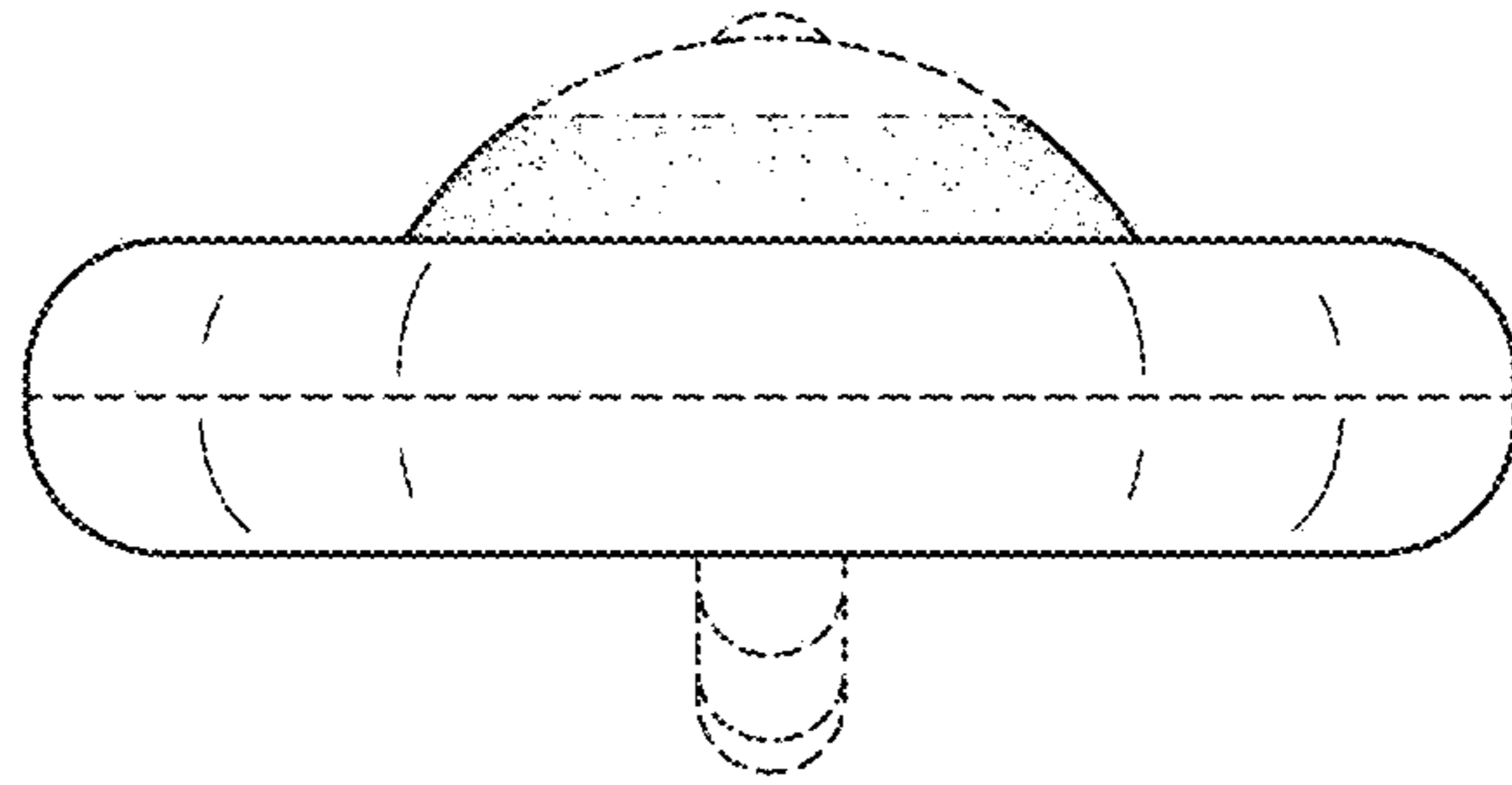


FIG. 3

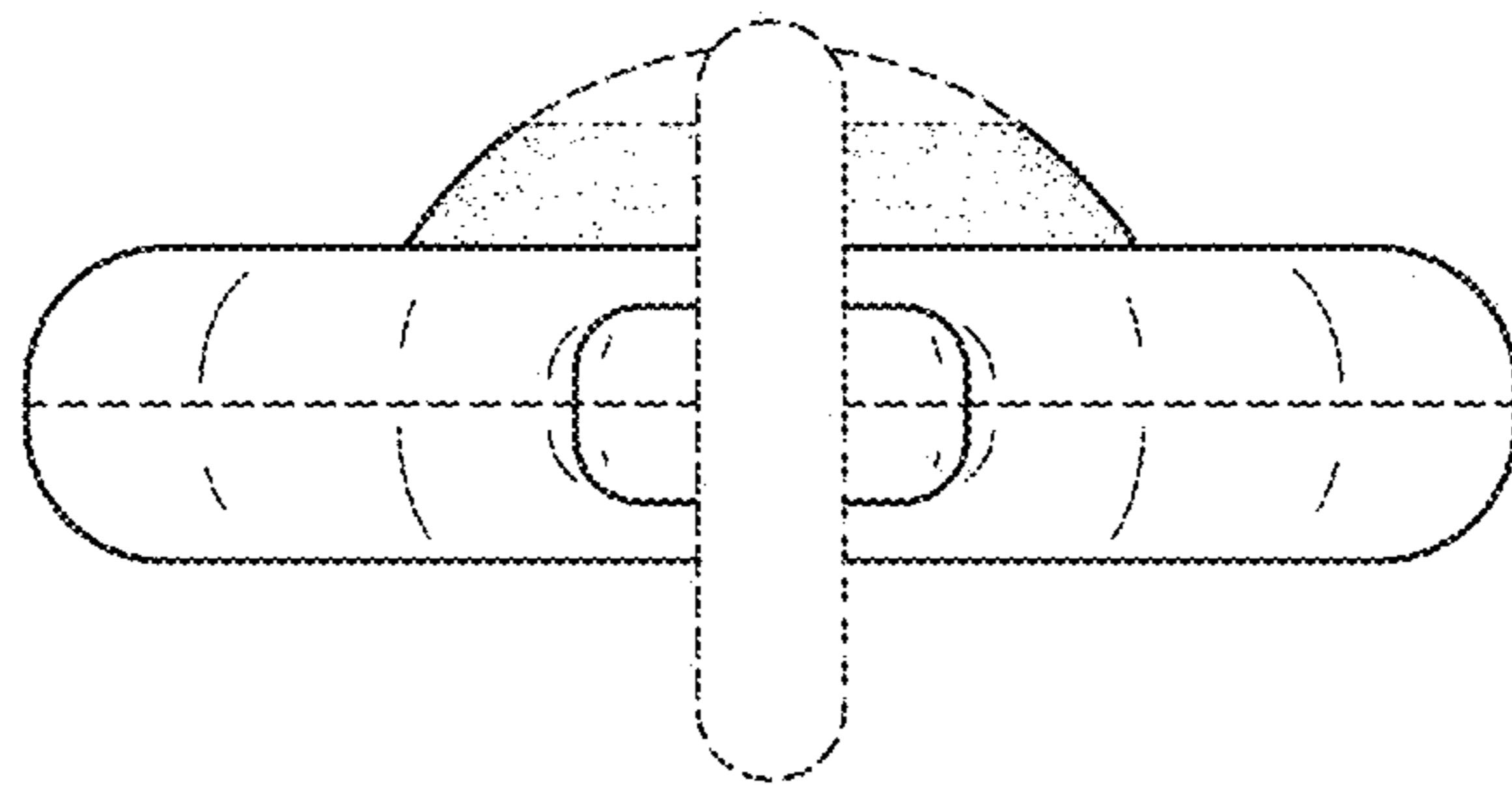


FIG. 4

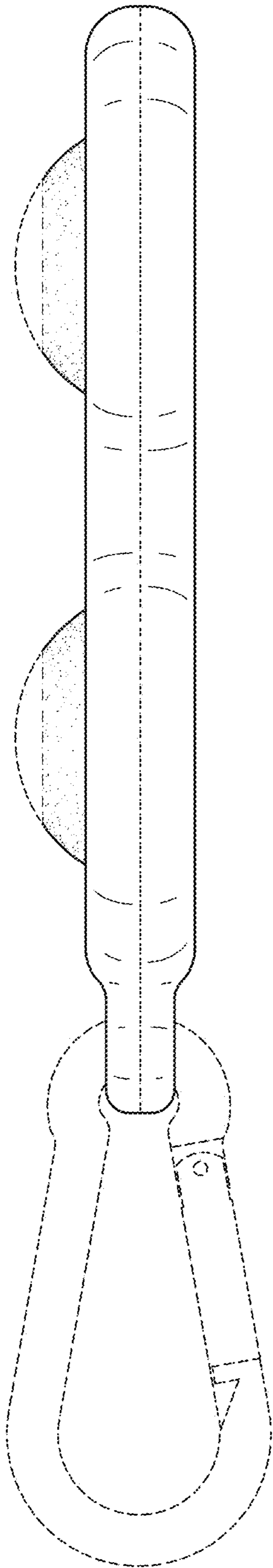


FIG. 5

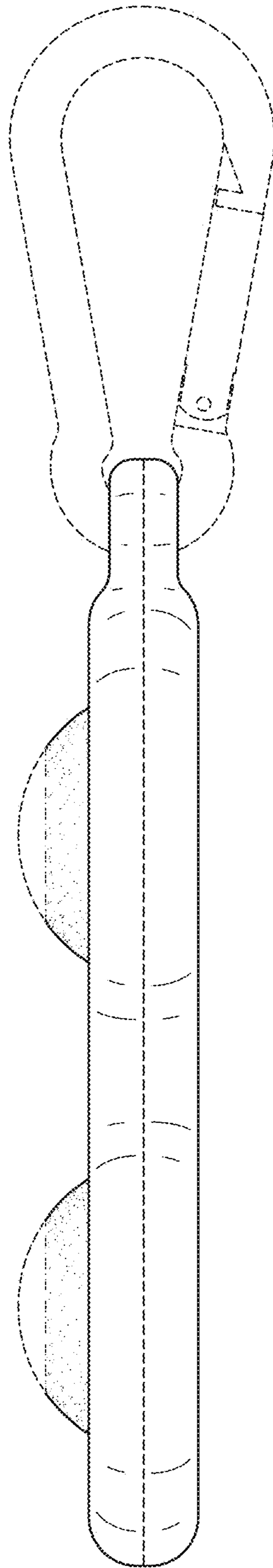


FIG. 6

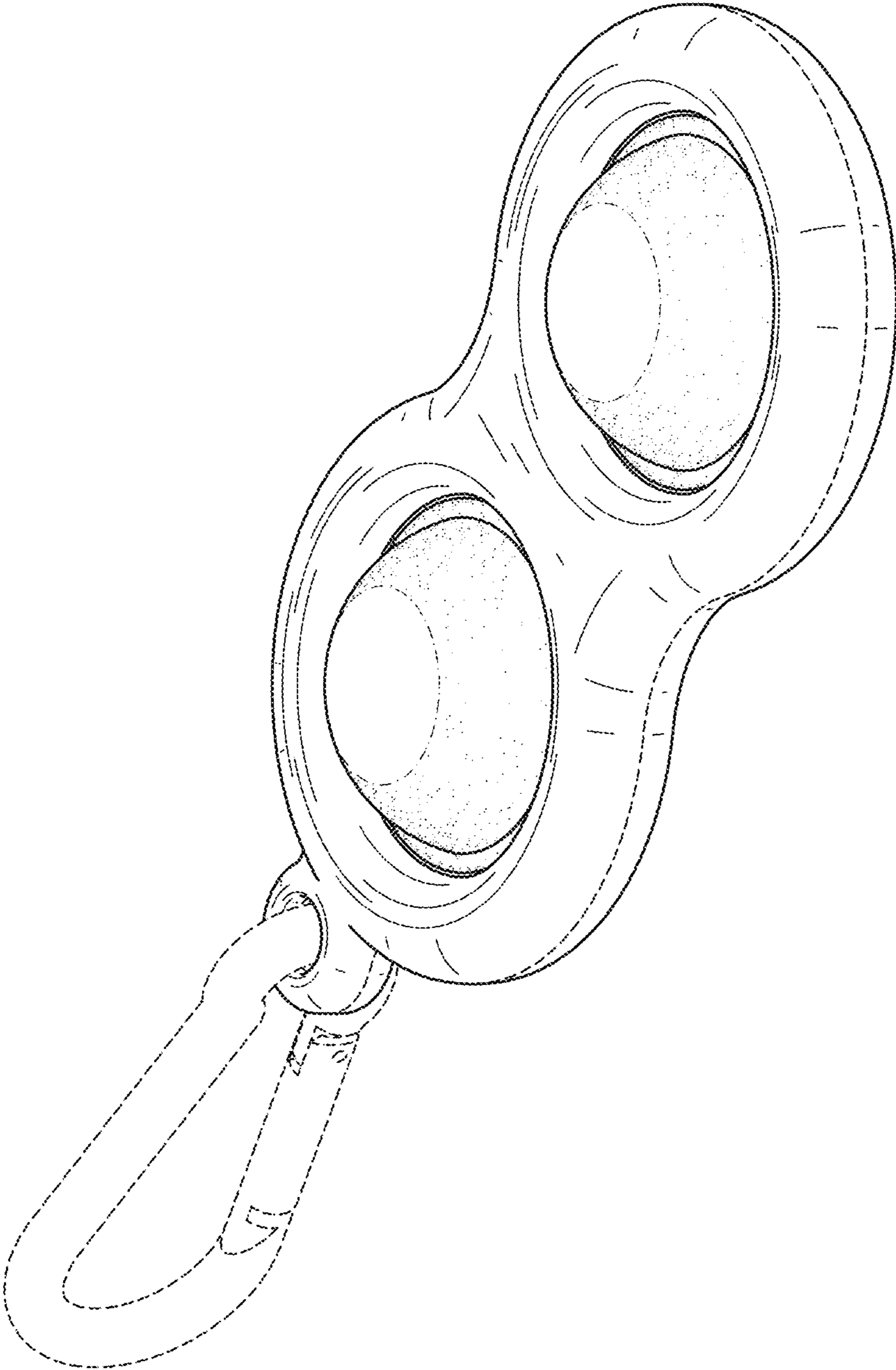


FIG. 7

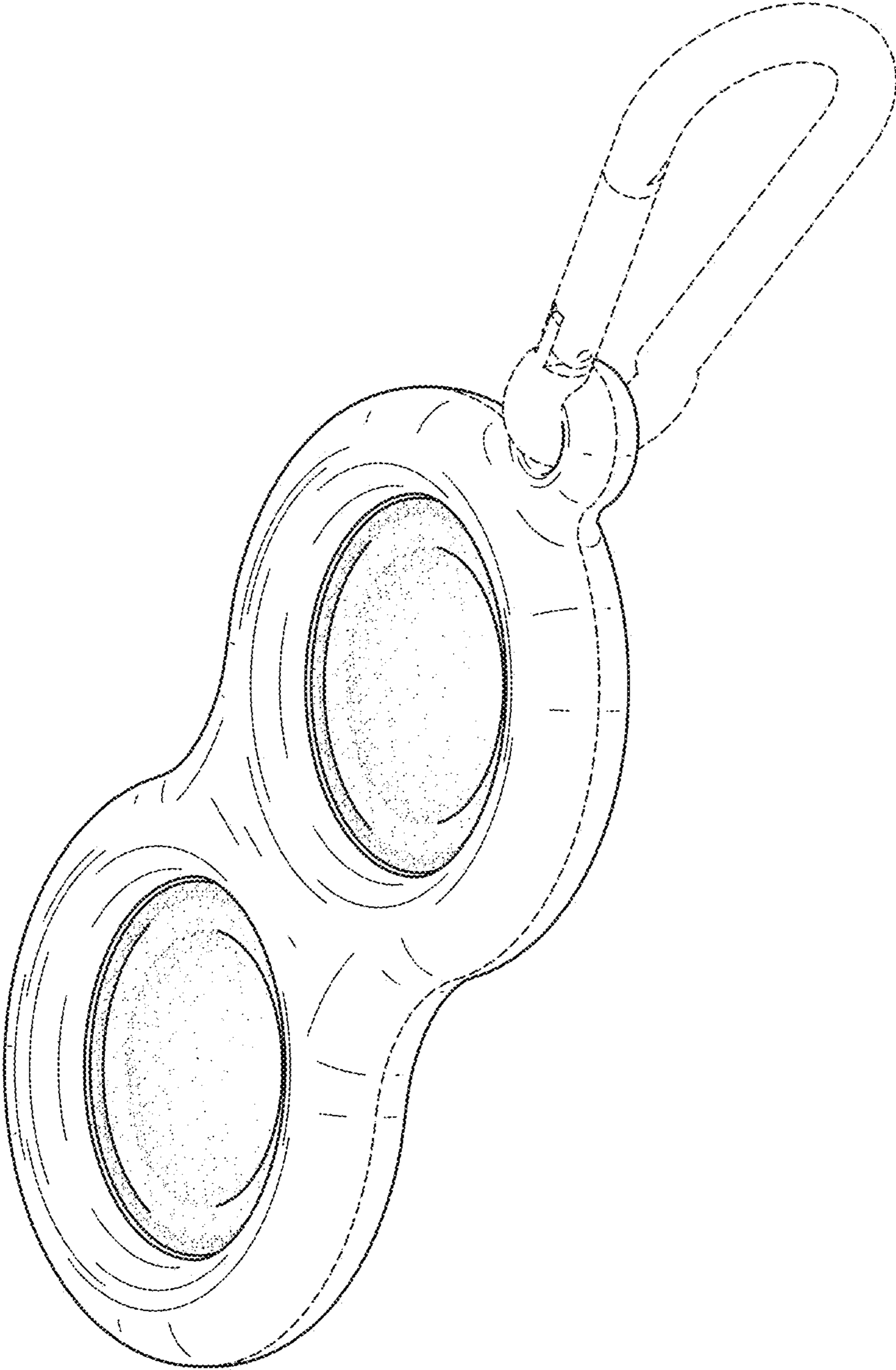


FIG. 8