



US00D943268S

(12) **United States Design Patent**  
**Guo et al.**

(10) **Patent No.:** **US D943,268 S**  
(45) **Date of Patent:** **\*\* Feb. 15, 2022**

(54) **PILL BOX**  
(71) Applicant: **ZHUHAI TOP LABEL CO., LTD,**  
Zhuhai (CN)  
(72) Inventors: **Jinpeng Guo,** Zhuhai (CN); **Wei Du,**  
Zhuhai (CN)  
(73) Assignee: **ZHUHAI TOP LABEL CO., LTD,**  
Zhuhai (CN)  
(\*\*) Term: **15 Years**

D278,513 S \* 4/1985 Ebeling ..... D3/203.3  
4,667,845 A \* 5/1987 Frazier ..... B65D 83/0463  
116/308  
D298,512 S \* 11/1988 Gotlib ..... D3/203.4  
D328,703 S \* 8/1992 Klumpyan ..... D3/203.4  
D342,671 S \* 12/1993 Elliott ..... D3/203.4  
D348,219 S \* 6/1994 Goldberg ..... D3/203.4  
5,409,132 A \* 4/1995 Kooijmans ..... A61J 7/04  
221/86  
D363,661 S \* 10/1995 Lambelet, Jr ..... D3/203.4  
5,551,597 A \* 9/1996 Lambelet, Jr ..... B65D 83/0463  
221/197  
D380,149 S \* 6/1997 Alexander ..... D3/203.4

(Continued)

(21) Appl. No.: **29/802,081**  
(22) Filed: **Aug. 3, 2021**  
(51) **LOC (13) Cl.** ..... **03-01**  
(52) **U.S. Cl.**  
USPC ..... **D3/203.4**  
(58) **Field of Classification Search**  
USPC ..... D3/201, 203.1, 203.2, 203.3, 203.4,  
D3/203.5, 203.6, 273, 294, 205; D9/414,  
D9/420, 756, 757, 759  
CPC ..... A61J 1/00; A61J 1/03; A61J 7/04; A61J  
7/0084; A61J 2205/50; B65D 1/36; B65D  
2583/04; B65D 83/04; B65D 83/0445;  
B65D 83/0481; B65D 83/0409; B65D  
25/04  
See application file for complete search history.

(56) **References Cited**

**U.S. PATENT DOCUMENTS**

D198,542 S \* 6/1964 Tapper et al. .... D3/203.4  
3,143,207 A \* 8/1964 Wagner ..... A61J 7/04  
206/533  
3,904,075 A \* 9/1975 Richardson ..... B65D 83/0463  
221/5  
D238,756 S \* 2/1976 Swett et al. .... D3/203.2  
4,015,717 A \* 4/1977 Richardson ..... A61J 7/04  
206/534  
D252,912 S \* 9/1979 Rideout, Jr. .... D3/203.4  
D259,858 S \* 7/1981 Finkel ..... D9/418

**OTHER PUBLICATIONS**

Live Fine Automatic Pill Dispenser, amazon.com, [https://www.amazon.com/Automatic-Electronic-Medication-Prescriptions-Supplements/dp/B07VDG4Y1J?ref\\_ast\\_sto\\_dp&th=1](https://www.amazon.com/Automatic-Electronic-Medication-Prescriptions-Supplements/dp/B07VDG4Y1J?ref_ast_sto_dp&th=1) (Year: 2018).\*

*Primary Examiner* — Steven J Cxyz

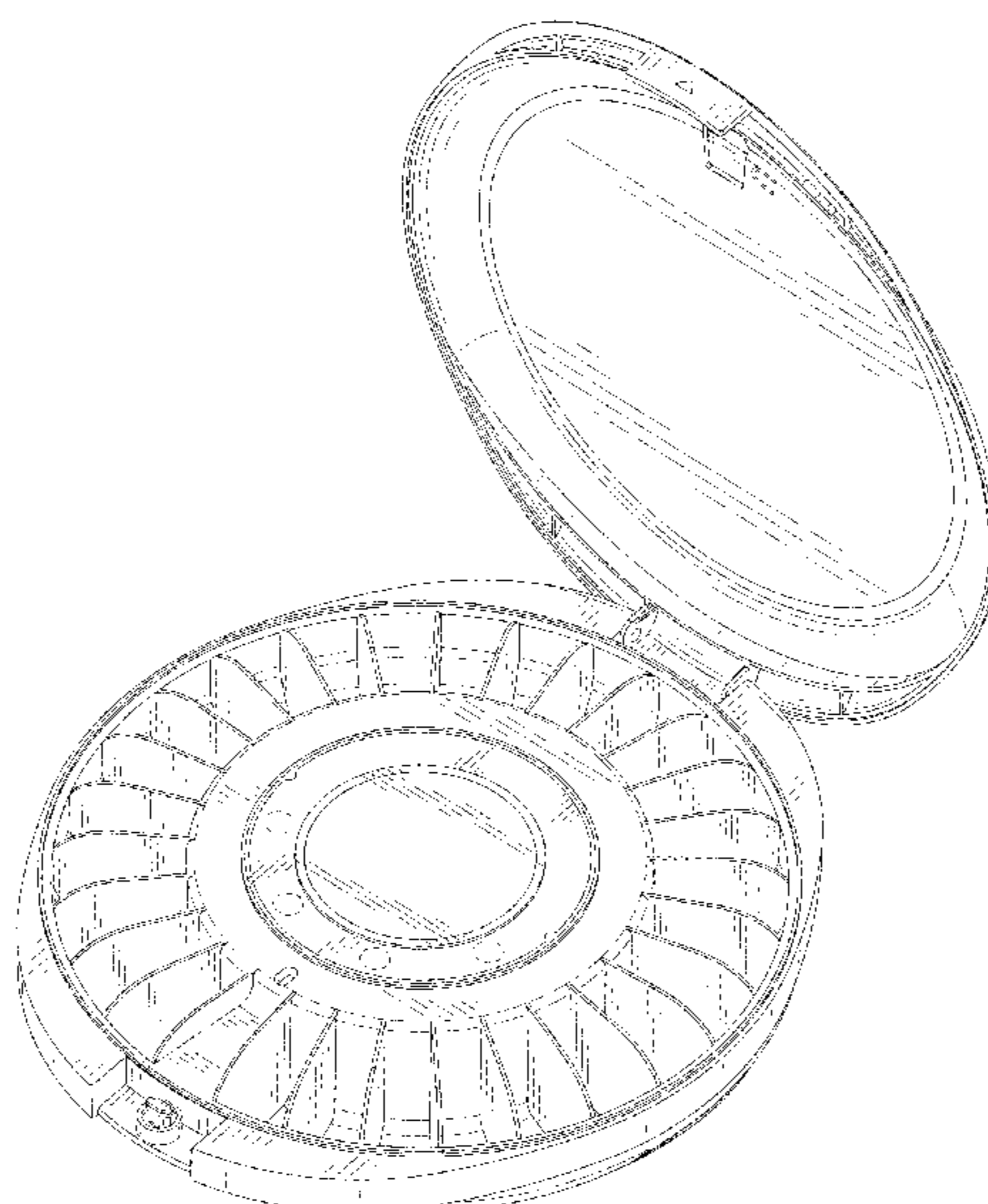
(57) **CLAIM**

The ornamental design for a pill box, as shown and described.

**DESCRIPTION**

FIG. 1 is a perspective view of a pill box showing my new design;  
FIG. 2 is another perspective view thereof;  
FIG. 3 is a front elevational view thereof;  
FIG. 4 is a rear elevational view thereof;  
FIG. 5 is a left side elevational view thereof;  
FIG. 6 is a right side elevational view thereof;  
FIG. 7 is a top plan view thereof;  
FIG. 8 is a bottom plan view thereof; and,  
FIG. 9 is a perspective view of the pill box where the pill box is in a configuration of use.  
The broken lines in the drawings depict portions of the pill box that form no part of the claimed design.

**1 Claim, 9 Drawing Sheets**



(56)

References Cited

U.S. PATENT DOCUMENTS

D382,198 S \* 8/1997 Mulhauser ..... D3/203.4  
 D386,404 S \* 11/1997 Kirk, III ..... D3/203.4  
 5,775,536 A \* 7/1998 Lambelet, Jr ..... B65D 83/0463  
 221/5  
 6,039,208 A \* 3/2000 Lambelet, Jr. .... B65D 83/0454  
 221/197  
 D451,666 S \* 12/2001 Zastrow ..... D3/203.3  
 D452,151 S \* 12/2001 Scott ..... D3/203.4  
 D455,038 S \* 4/2002 Yang ..... D3/201  
 D458,016 S \* 6/2002 Christianson ..... D3/203.4  
 D463,102 S \* 9/2002 Rosado ..... D3/203.3  
 D473,786 S \* 4/2003 Chue ..... D3/203.4  
 D488,618 S \* 4/2004 Wekstein ..... D3/203.3  
 D502,801 S \* 3/2005 Baum ..... D3/203.3  
 D514,804 S \* 2/2006 Harvie ..... D3/203.4  
 D517,799 S 3/2006 Oas  
 D519,312 S \* 4/2006 Tsai ..... D3/201  
 7,128,213 B2 \* 10/2006 Tung ..... A61J 7/04  
 206/538  
 D531,400 S \* 11/2006 Hornsby ..... D3/203.4  
 D547,940 S \* 8/2007 Sandy ..... D3/203.2  
 D563,095 S \* 3/2008 Sabbag ..... D3/203.3  
 D570,595 S \* 6/2008 Chue ..... D3/203.3  
 7,543,718 B2 \* 6/2009 Simon ..... G07F 13/025  
 221/13  
 D625,965 S \* 10/2010 Maudsley ..... D7/636  
 D629,202 S \* 12/2010 Wai ..... D3/294  
 D645,657 S \* 9/2011 Portney ..... D3/203.2  
 D663,112 S 7/2012 Fulmer Mason

D663,113 S \* 7/2012 Simms ..... D3/203.3  
 D681,936 S \* 5/2013 Basas ..... D3/203.2  
 D708,434 S \* 7/2014 Deeb ..... D3/203.3  
 D717,038 S \* 11/2014 Lee ..... D3/203.3  
 9,027,787 B2 \* 5/2015 Eriksson ..... B65D 83/0454  
 221/83  
 9,174,775 B2 \* 11/2015 Foshee ..... A61J 7/0076  
 D746,046 S \* 12/2015 Lee ..... D3/203.3  
 D746,058 S \* 12/2015 Serell ..... D3/294  
 9,209,442 B1 \* 12/2015 Schiffmiller ..... B65D 85/70  
 9,284,111 B2 \* 3/2016 Huang ..... B65B 1/00  
 D785,314 S \* 5/2017 Noble ..... D3/203.2  
 D806,380 S \* 1/2018 Hines ..... D3/203.2  
 D855,971 S \* 8/2019 Moskowitz ..... D3/203.1  
 10,532,861 B2 \* 1/2020 Kimmel ..... A61J 1/00  
 D879,461 S \* 3/2020 Burts ..... D3/203.1  
 D883,654 S \* 5/2020 Cain ..... D3/203.1  
 10,653,584 B2 \* 5/2020 Brady ..... A61J 7/0084  
 D890,511 S \* 7/2020 Dericco ..... A61J 7/04  
 D3/203.1  
 D891,082 S \* 7/2020 Wan ..... D3/203.2  
 D901,166 S \* 11/2020 Schepley ..... D3/203.3  
 D913,681 S \* 3/2021 Grimsley ..... B65D 83/0463  
 D3/203.1  
 D917,153 S \* 4/2021 Denei ..... D3/203.4  
 D917,154 S \* 4/2021 Zhu ..... A61J 7/04  
 D3/203.4  
 D920,775 S \* 6/2021 Hawry ..... D9/414  
 11,053,065 B2 \* 7/2021 Brady ..... A61J 1/035  
 D930,352 S \* 9/2021 Jiang ..... A61J 7/0084  
 D3/203.1  
 11,191,702 B2 \* 12/2021 Zonana ..... A61J 7/0454

\* cited by examiner



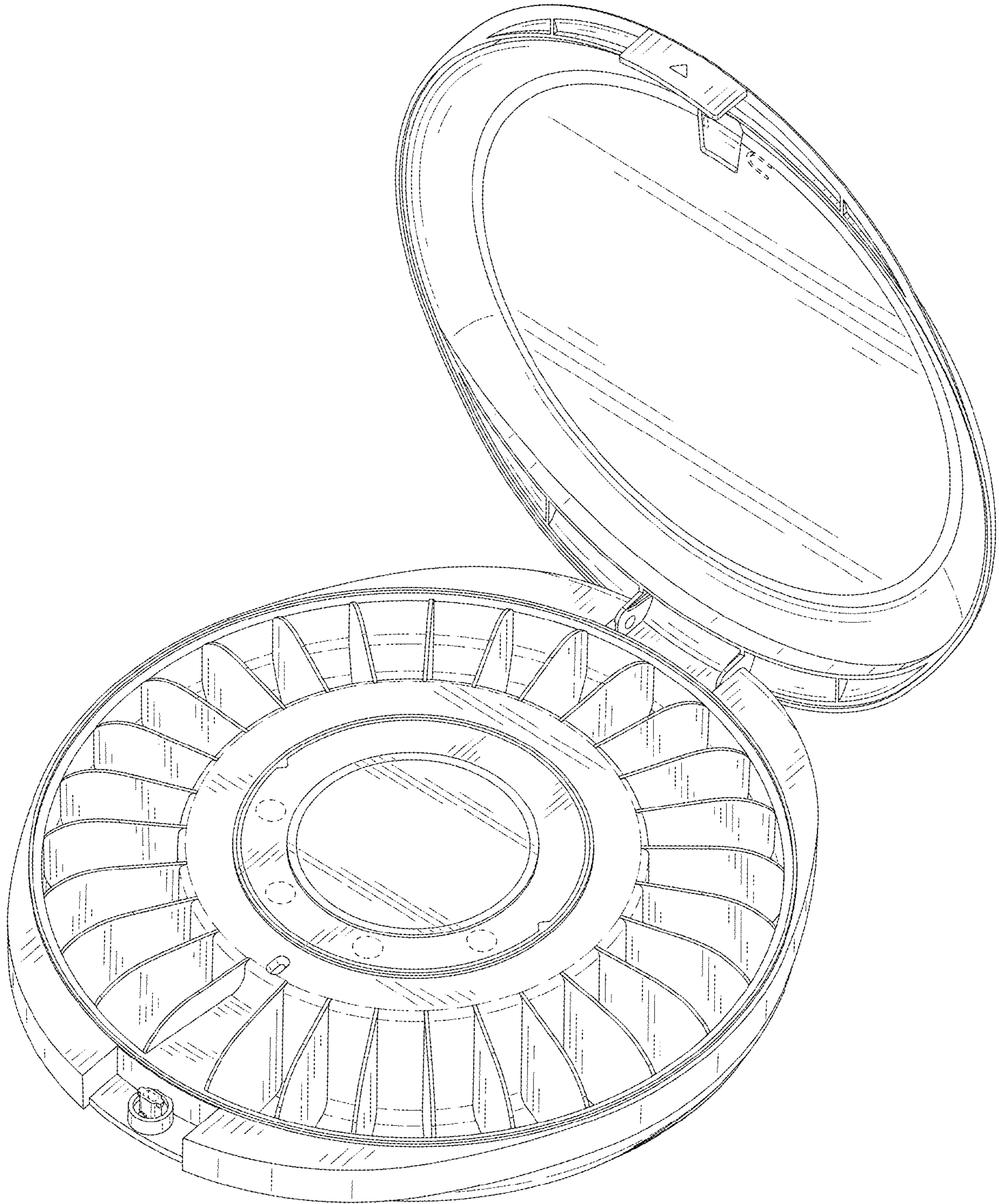


FIG. 1

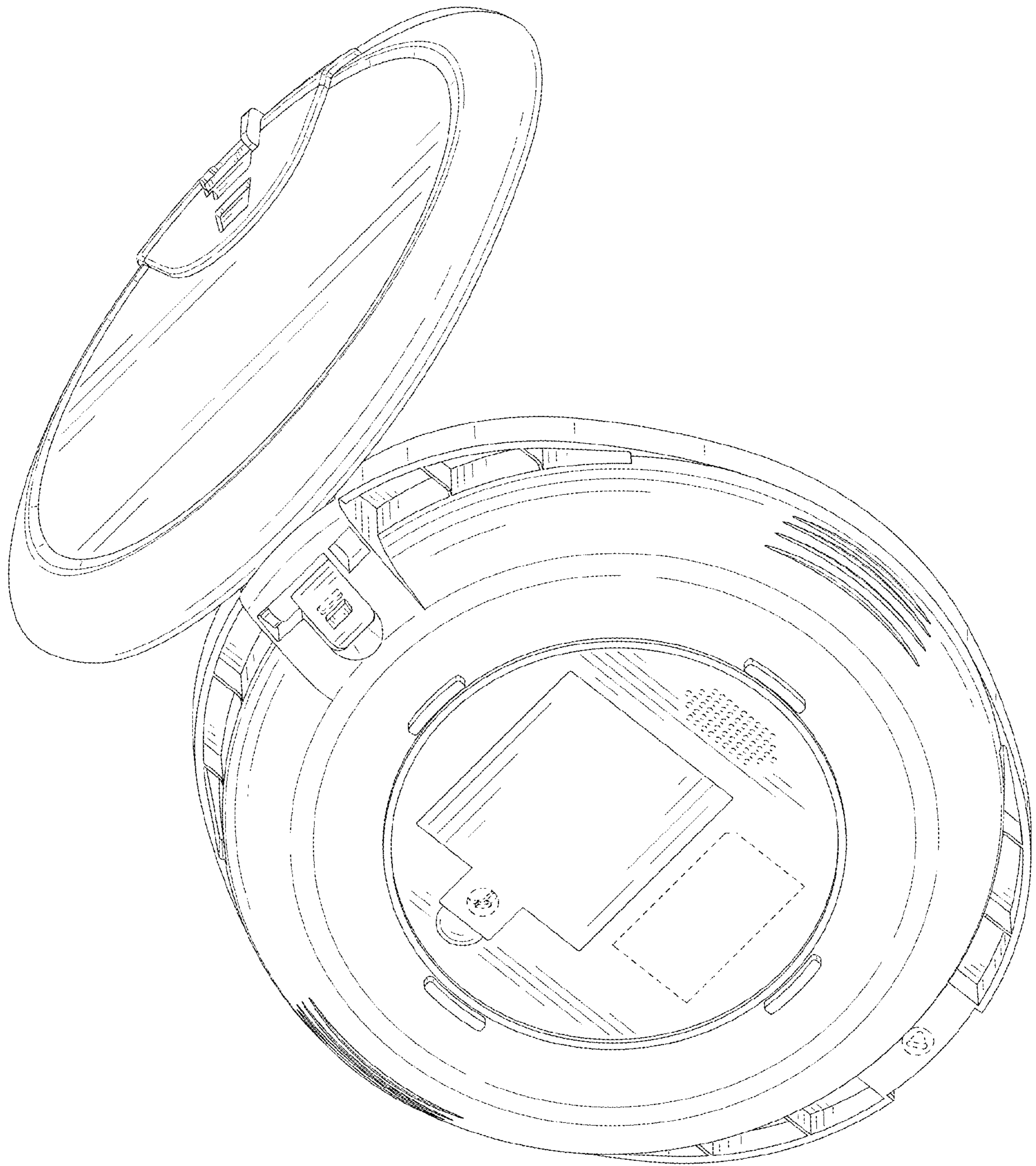


FIG. 2

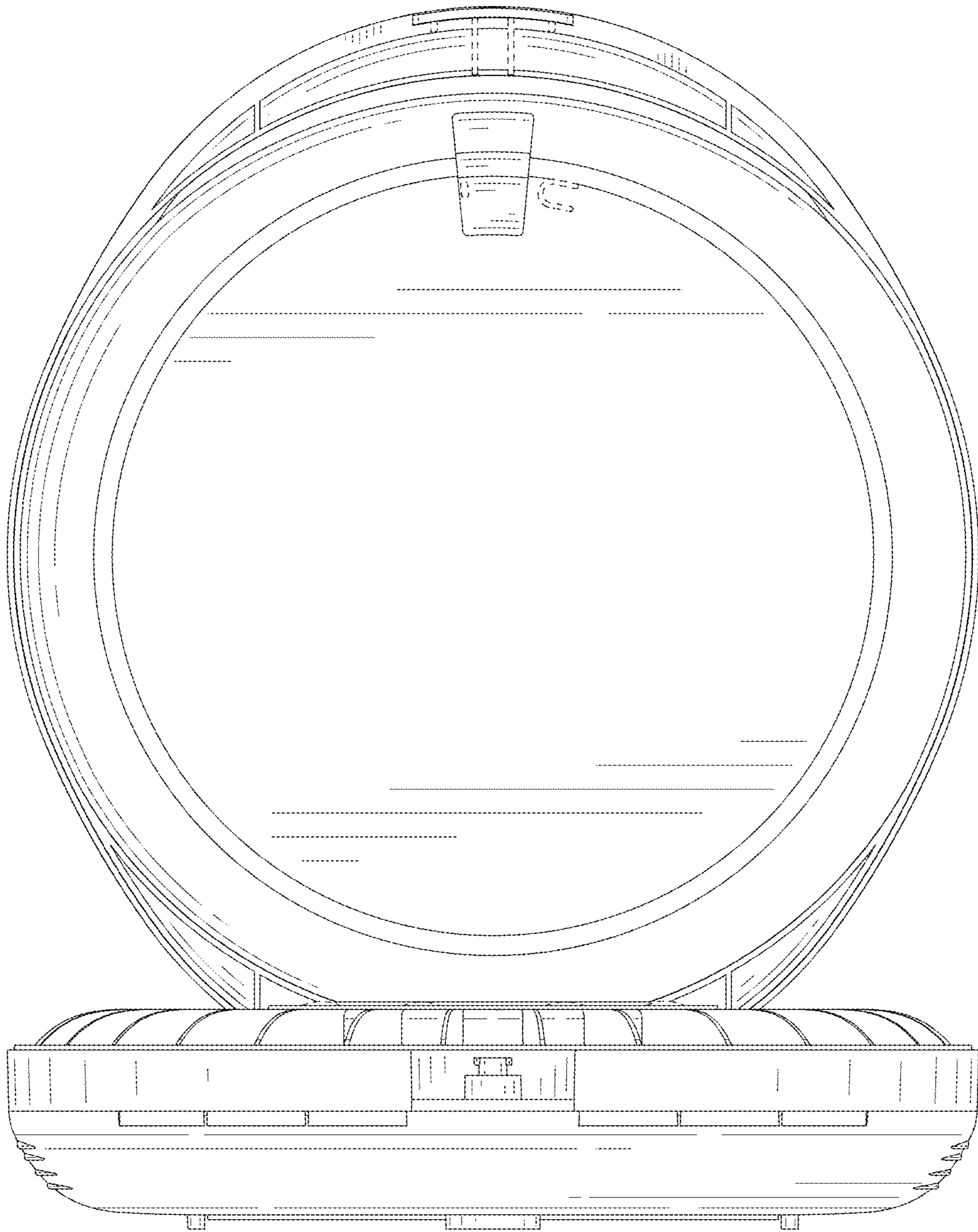


FIG. 3



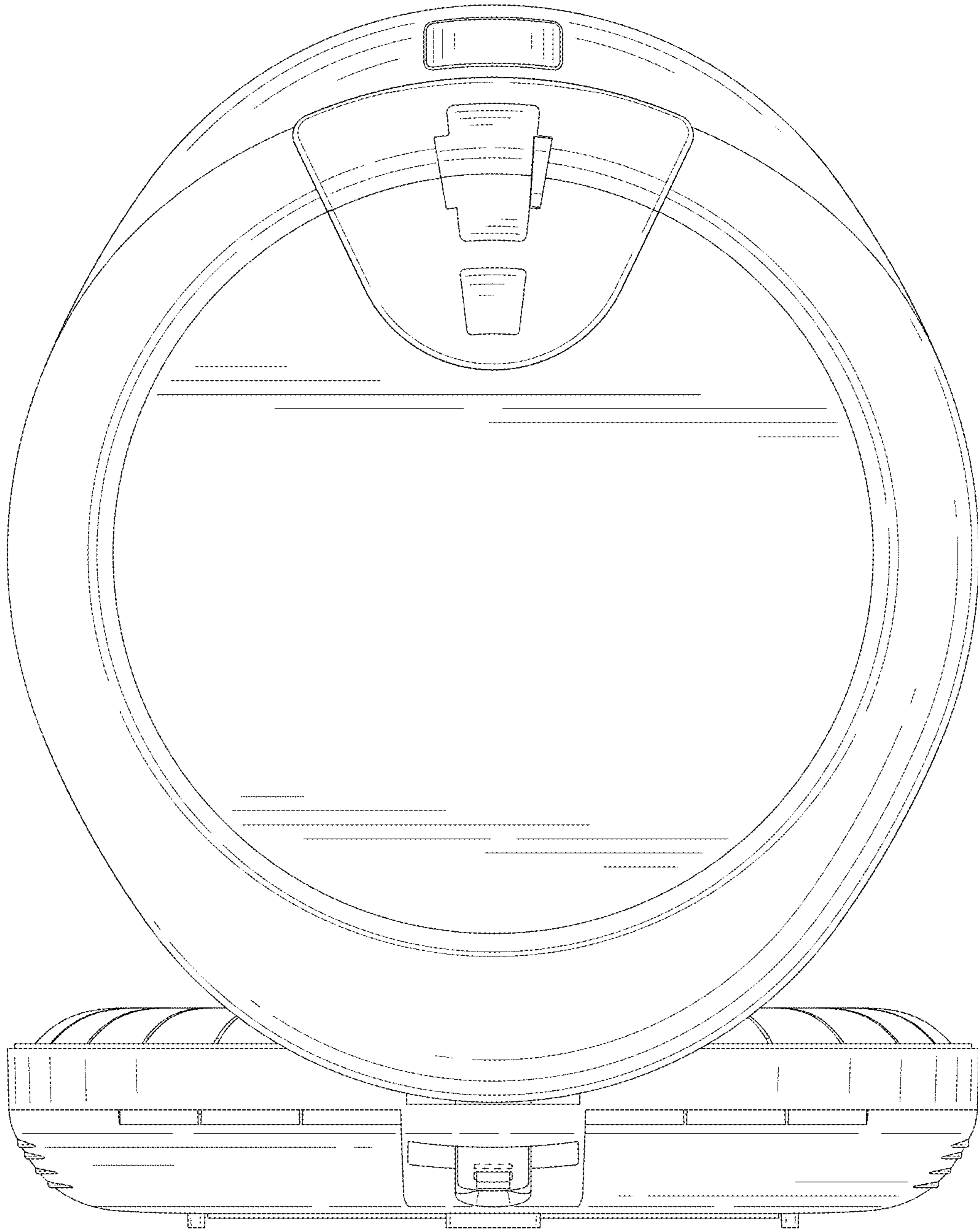


FIG. 4

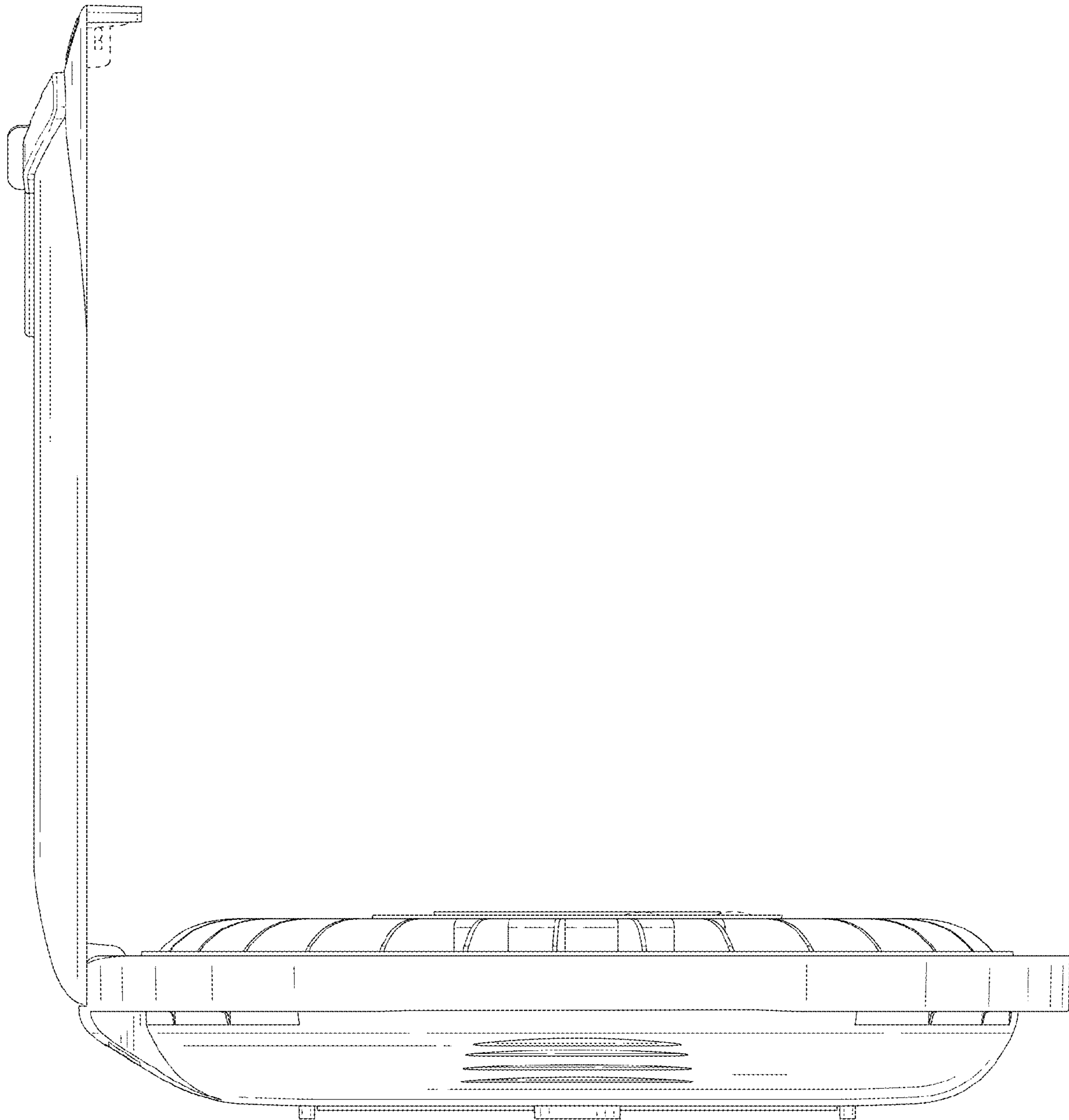


FIG. 5

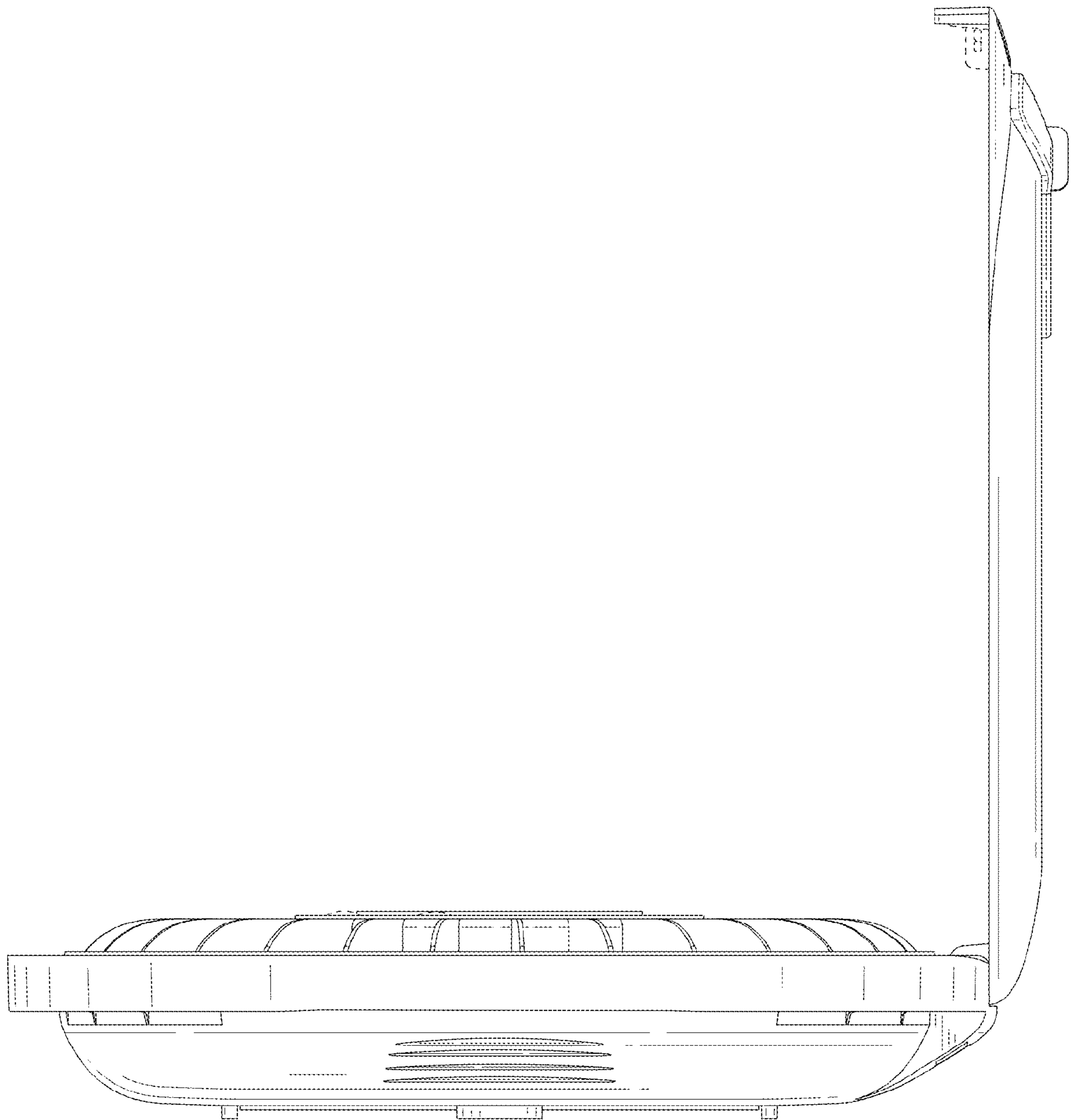


FIG. 6



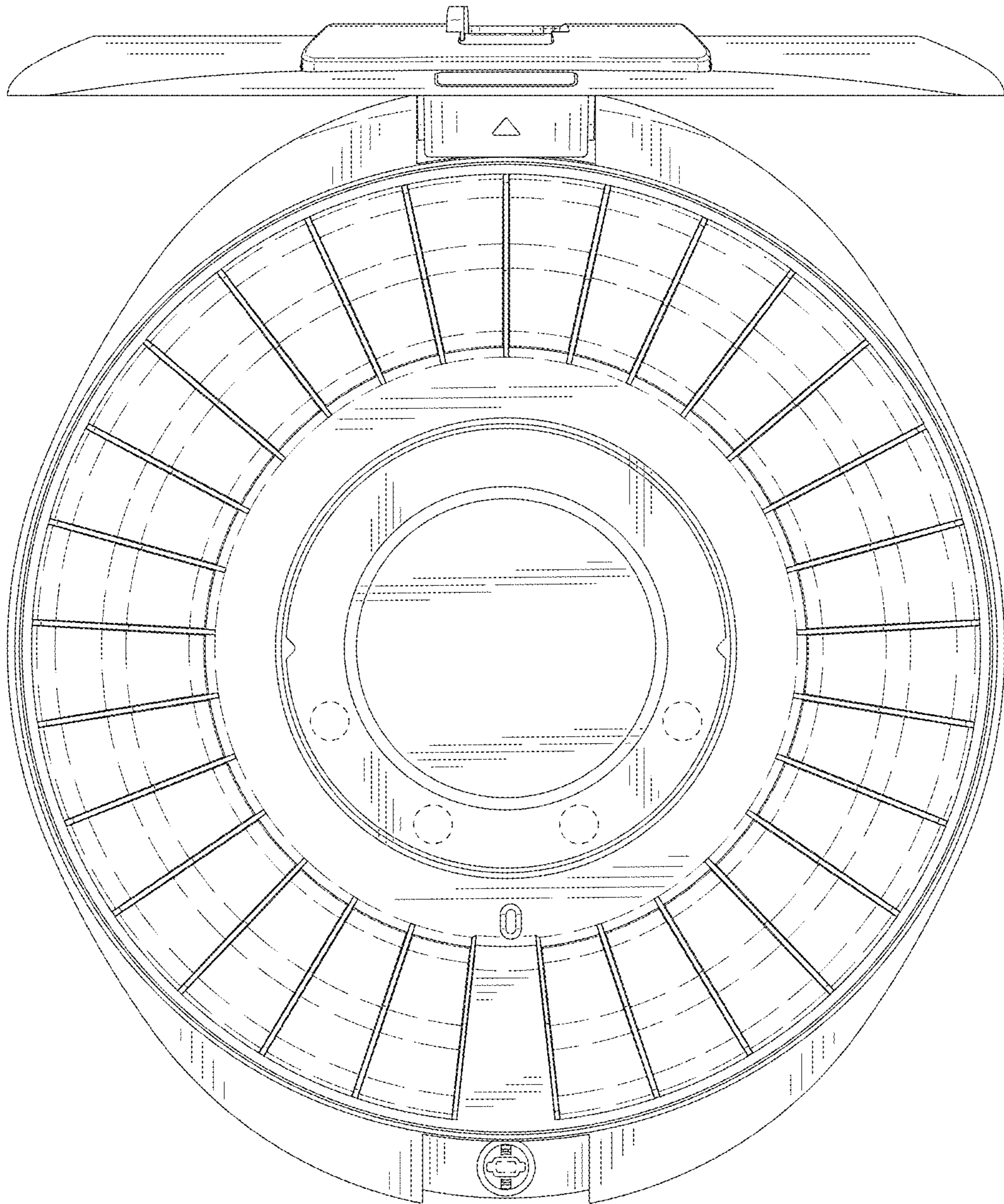


FIG. 7

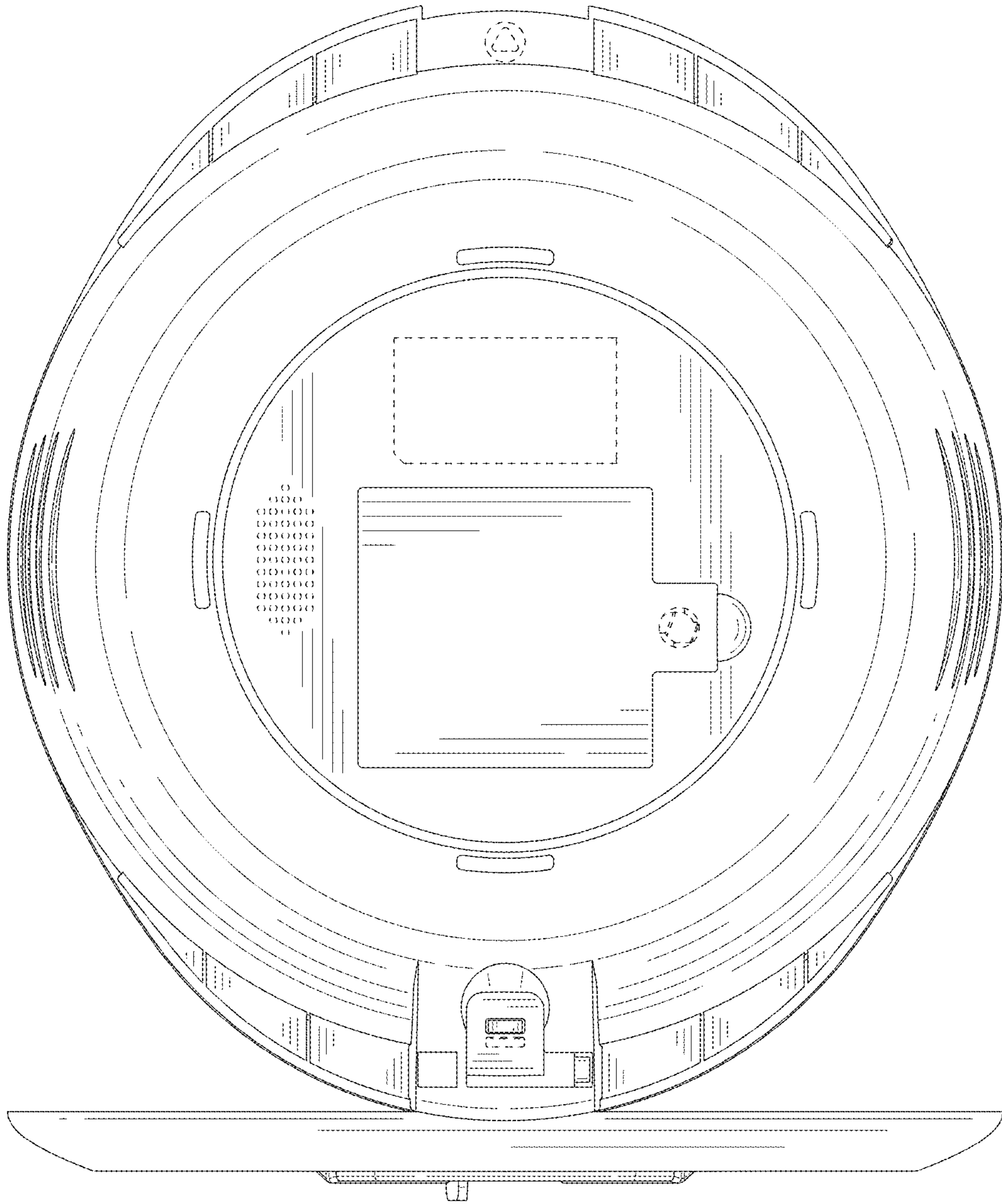


FIG. 8

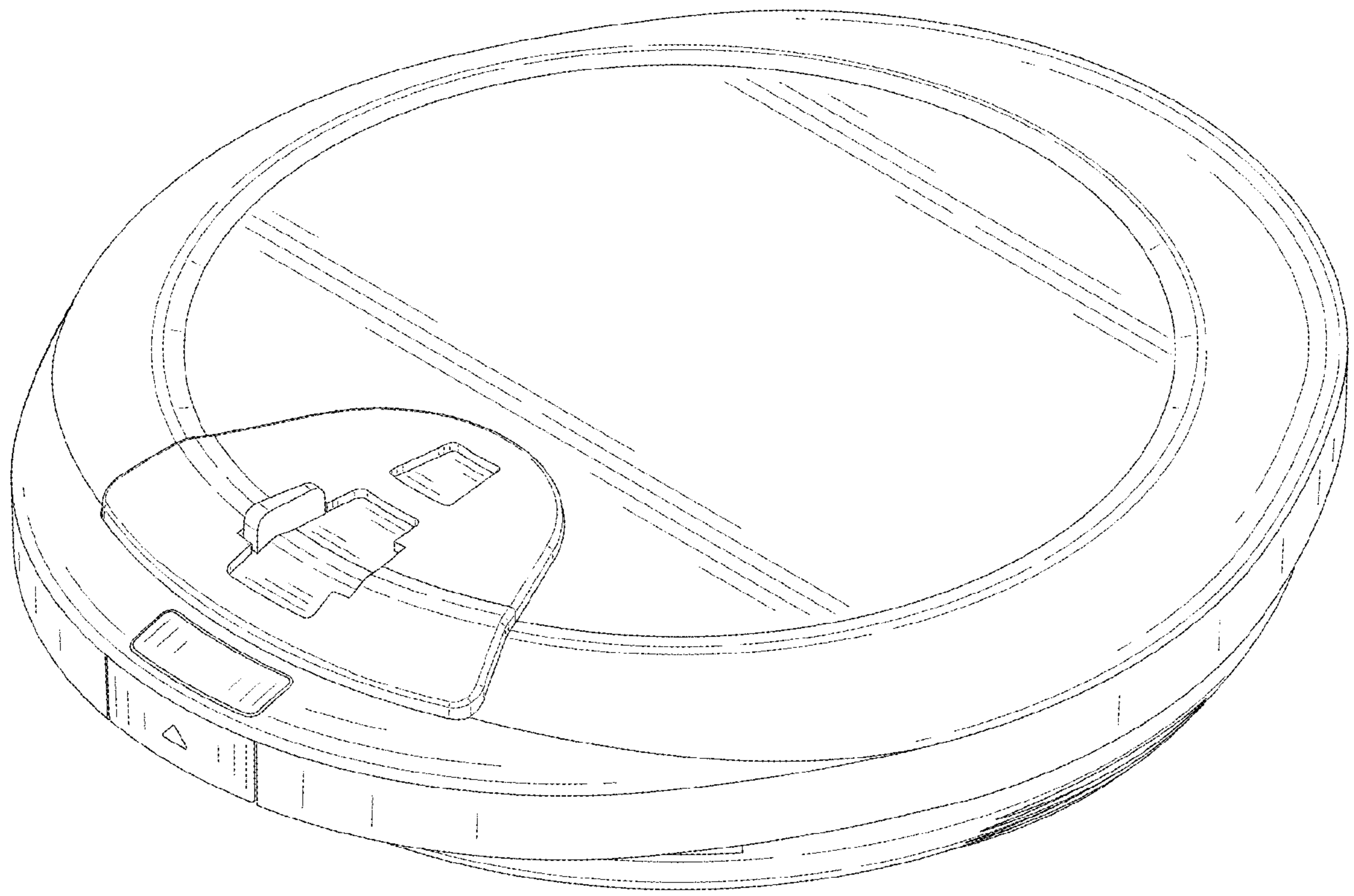


FIG. 9