



US00D943265S

(12) **United States Design Patent**  
**Knapp**

(10) **Patent No.:** **US D943,265 S**

(45) **Date of Patent:** **\*\* Feb. 15, 2022**

(54) **UMBRELLA**

(71) Applicant: **Paul Knapp**, Lauderdale Lakes, FL  
(US)

(72) Inventor: **Paul Knapp**, Lauderdale Lakes, FL  
(US)

(\*\*) Term: **15 Years**

(21) Appl. No.: **29/712,613**

(22) Filed: **Nov. 9, 2019**

(51) **LOC (13) Cl.** ..... **03-03**

(52) **U.S. Cl.**  
USPC ..... **D3/5**

(58) **Field of Classification Search**  
USPC ..... D3/5, 6, 10  
CPC ... A45B 11/00; A45B 2011/005; A45B 15/00;  
A45B 17/00; A45B 2017/005; A45B  
19/00; A45B 2019/001; A45B 2019/004;  
A45B 2019/026; A45B 19/08; A45B  
23/00; A45B 2023/0006; A45B  
2023/0012; A45B 2023/0025; A45B  
2023/0031; A45B 2023/0093; A45B  
25/00; A45B 25/18; A45B 25/20; A45B  
25/22

See application file for complete search history.

(56) **References Cited**

**U.S. PATENT DOCUMENTS**

- 6,305,394 B1 \* 10/2001 Reese ..... A45B 11/00  
135/20.1
- D516,294 S \* 3/2006 Olson ..... D3/5
- D546,551 S \* 7/2007 de Oliveira Santos ..... D3/5
- D586,550 S \* 2/2009 Hermanson ..... D3/10
- 7,503,336 B2 \* 3/2009 Labarbera ..... A45B 25/18  
135/16
- D600,439 S \* 9/2009 Zonsius ..... D3/5
- D613,492 S \* 4/2010 van Genugten ..... D3/5
- D638,622 S \* 5/2011 He ..... D3/5
- D649,617 S \* 11/2011 Bandini ..... D21/837
- D668,443 S \* 10/2012 Sims, II ..... D3/5

D707,037 S \* 6/2014 Tetsuro ..... D3/5  
8,807,513 B2 \* 8/2014 Volin ..... A45B 17/00  
248/521  
9,232,836 B1 \* 1/2016 Zaccaro ..... E02D 5/801  
(Continued)

*Primary Examiner* — Steven J Czyn  
(74) *Attorney, Agent, or Firm* — Lott & Fischer, P.L.

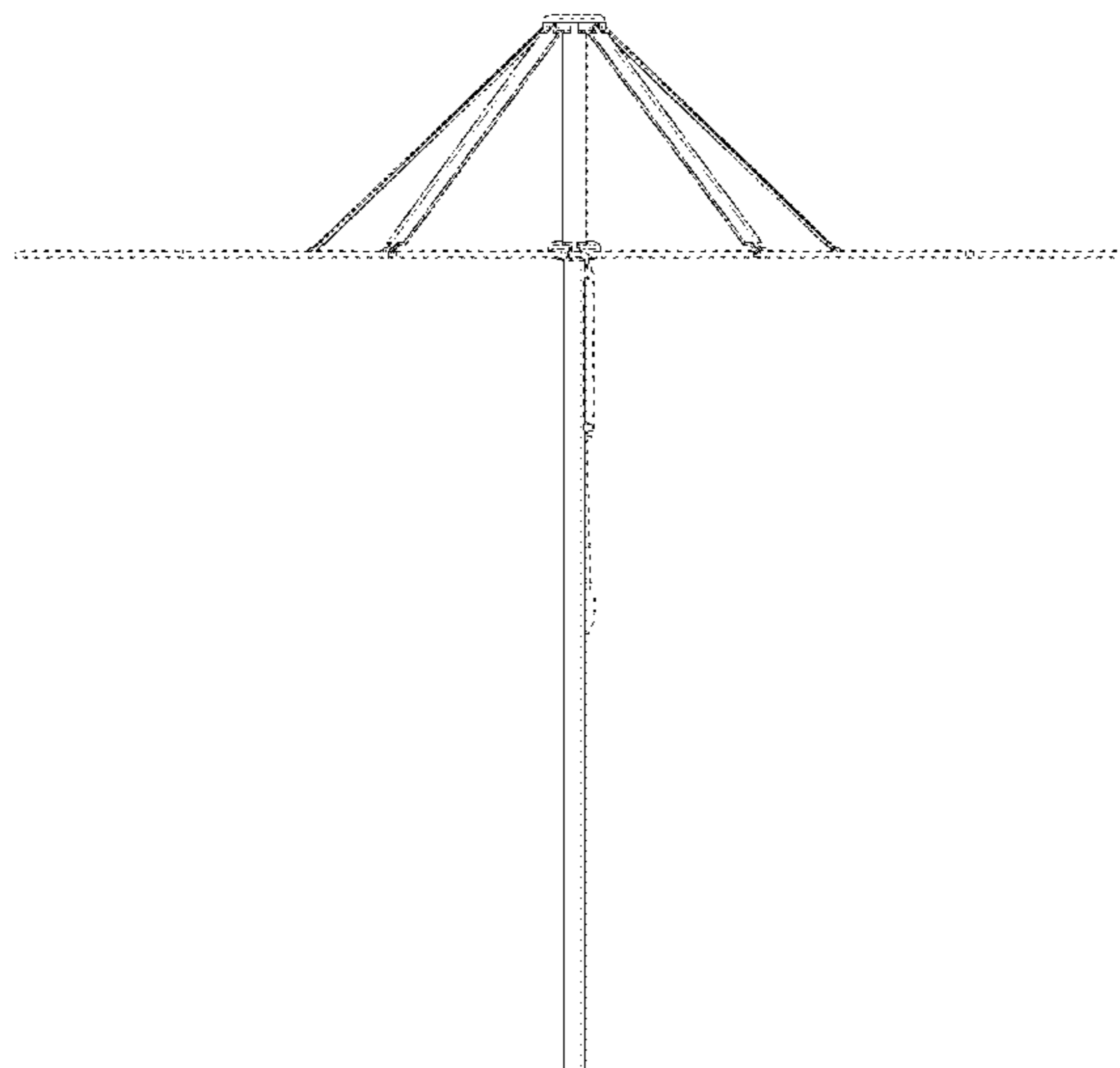
(57) **CLAIM**

The ornamental design for an umbrella, as shown and described.

**DESCRIPTION**

FIG. 1 is a side elevation view of an umbrella showing my new design;  
FIG. 2 is a bottom perspective view thereof;  
FIG. 3 is a second bottom perspective view thereof;  
FIG. 4 is a top perspective view thereof;  
FIG. 5 is a top plan view thereof;  
FIG. 6 is a bottom plan view thereof;  
FIG. 7 is a side elevation view of the umbrella shown in a closed, configuration;  
FIG. 8 is a top plan view thereof;  
FIG. 9 is a bottom plan view thereof;  
FIG. 10 is a top perspective view thereof;  
FIG. 11 is a side elevation view of a second embodiment of the umbrella showing my new design;  
FIG. 12 is a bottom perspective view thereof;  
FIG. 13 is a second bottom perspective view thereof;  
FIG. 14 is a top perspective view thereof;  
FIG. 15 is a top plan view thereof;  
FIG. 16 is a bottom plan view thereof;  
FIG. 17 is a side elevation view of the umbrella shown in a closed, configuration;  
FIG. 18 is a top plan view thereof;  
FIG. 19 is a bottom plan view thereof; and,  
FIG. 20 is a top perspective view thereof.  
The broken lines depict portions of the article that form no part of the claimed design.

**1 Claim, 18 Drawing Sheets**



(56)

**References Cited**

U.S. PATENT DOCUMENTS

D759,367 S \* 6/2016 Zaccaro ..... A45B 25/10  
D3/5  
10,548,378 B2 \* 2/2020 Mundt ..... A45B 25/18  
10,609,994 B2 \* 4/2020 Vanderminden ..... F16M 13/00  
D899,069 S \* 10/2020 Holbrook ..... F16M 13/00  
D3/5  
D899,070 S \* 10/2020 Holbrook ..... A45B 17/00  
D3/5  
D899,761 S \* 10/2020 Holbrook ..... A45B 25/18  
D3/5  
D899,762 S \* 10/2020 Holbrook ..... A45B 11/00  
D3/5  
D907,355 S \* 1/2021 Akin ..... A45B 25/18  
D3/5  
10,881,176 B1 \* 1/2021 Holbrook ..... A45B 11/00  
D911,018 S \* 2/2021 Fisher ..... D3/5  
10,959,500 B1 \* 3/2021 Holbrook ..... A45B 25/10  
2008/0006313 A1 \* 1/2008 Wang ..... A45B 25/02  
135/31

\* cited by examiner

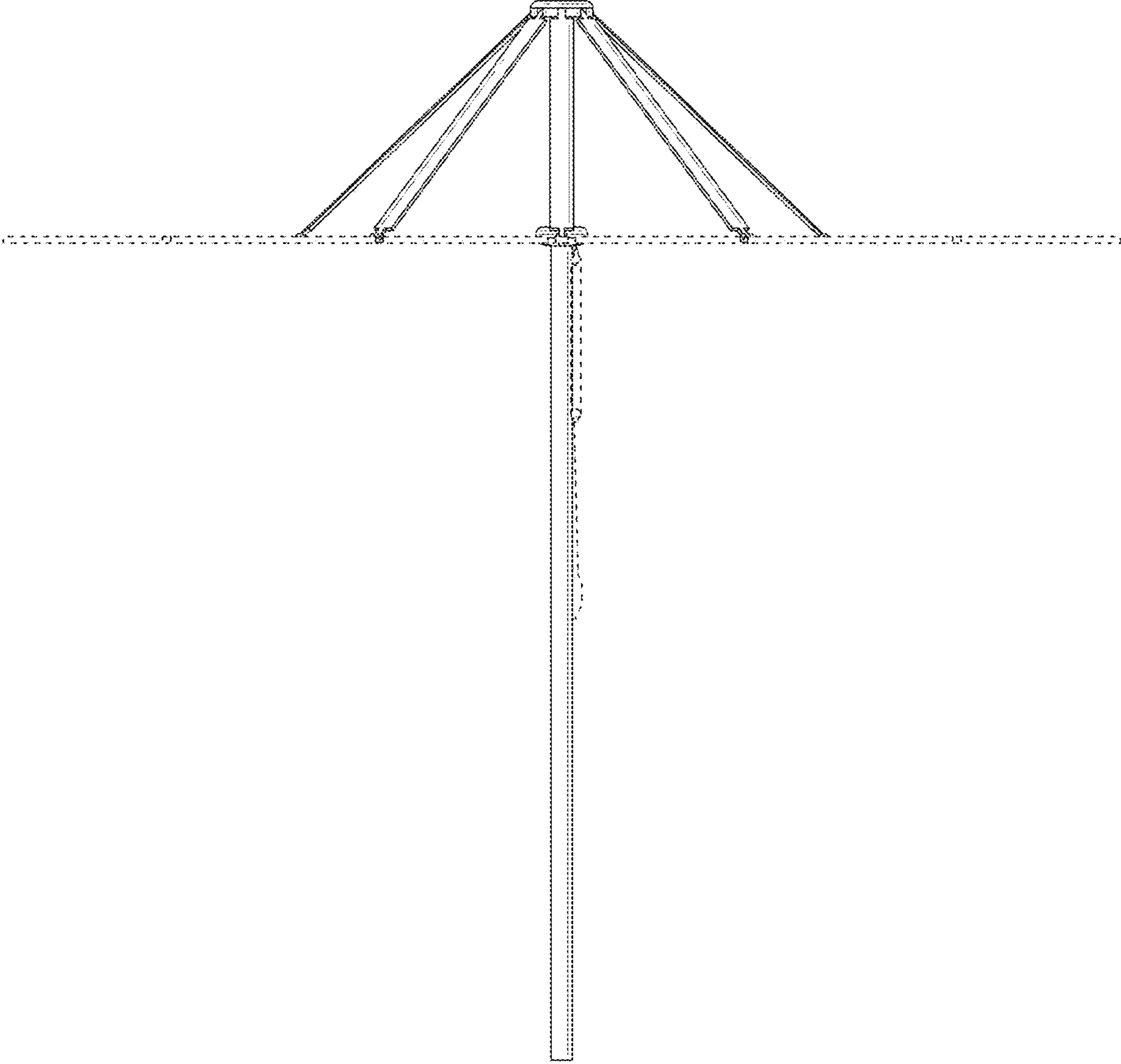


FIG. 1



FIG. 2

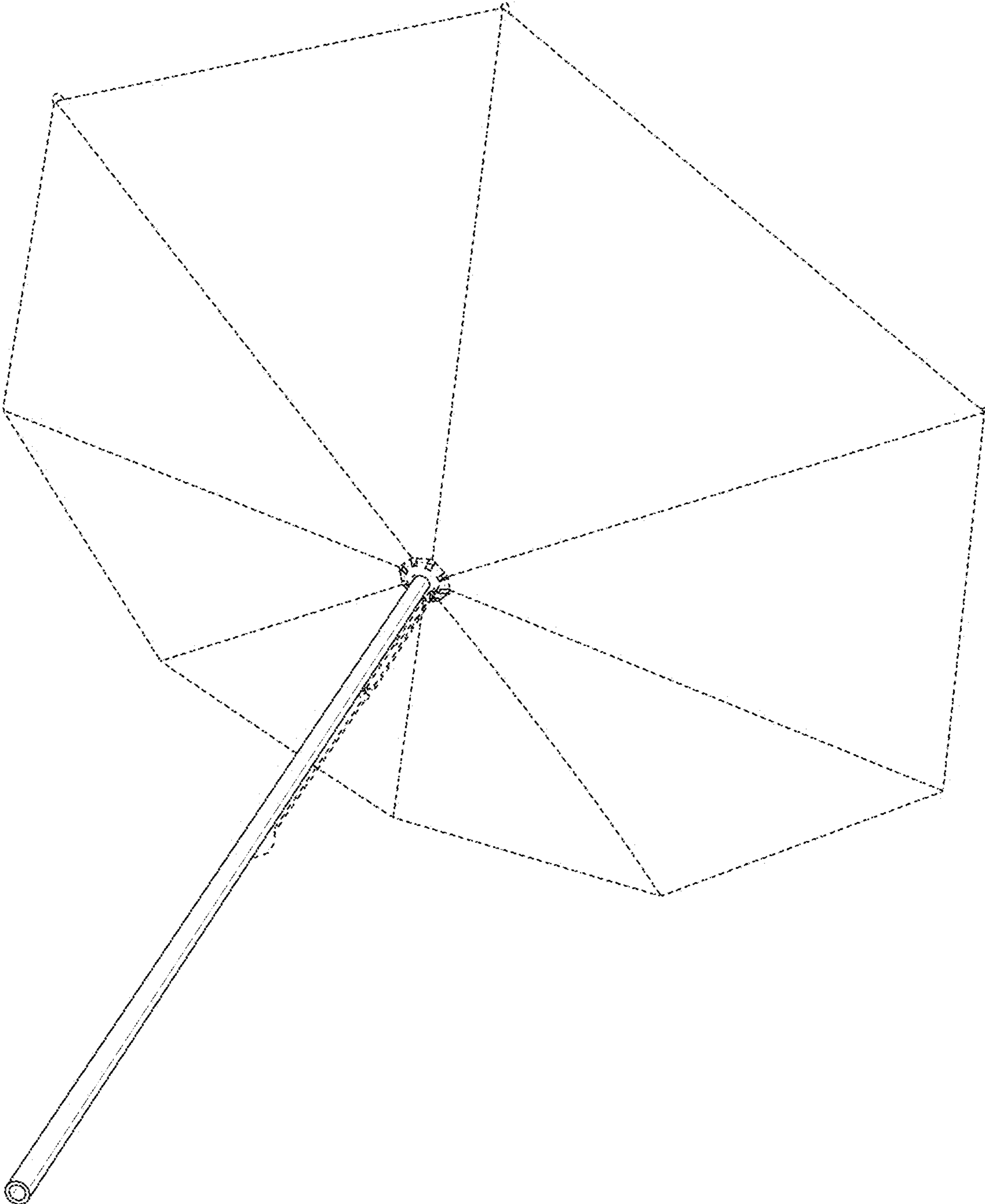


FIG. 3

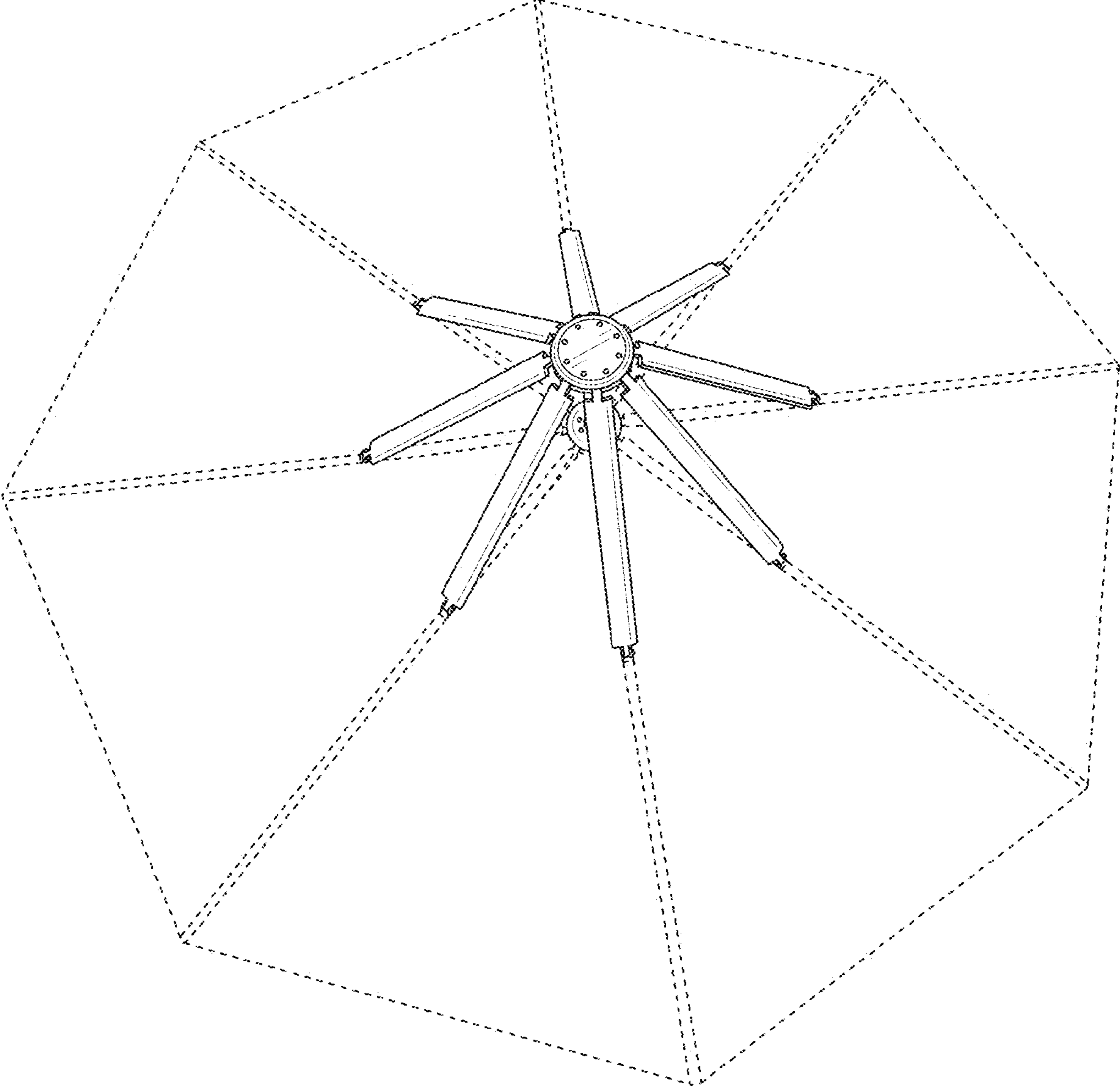


FIG. 4



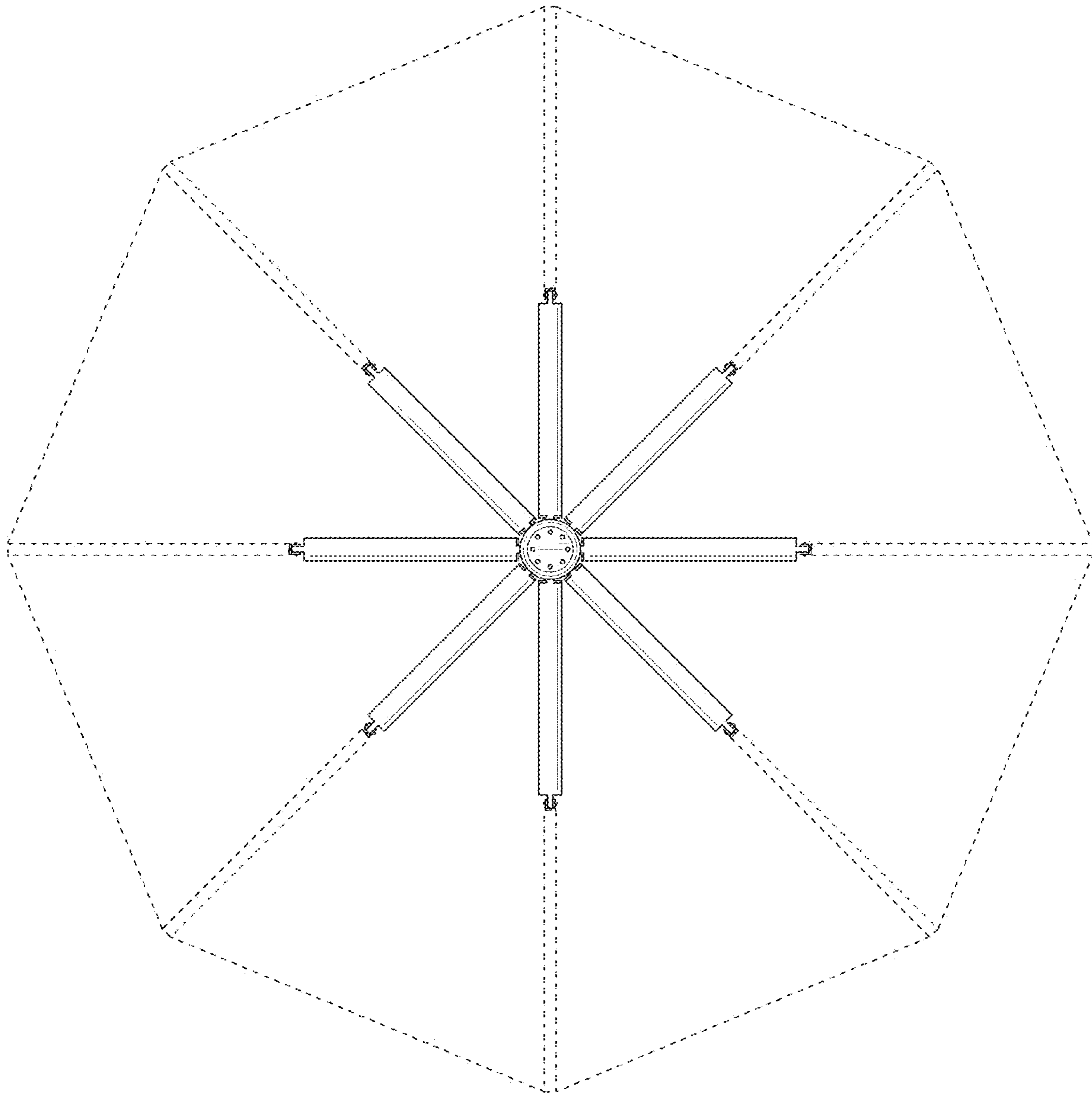


FIG. 5

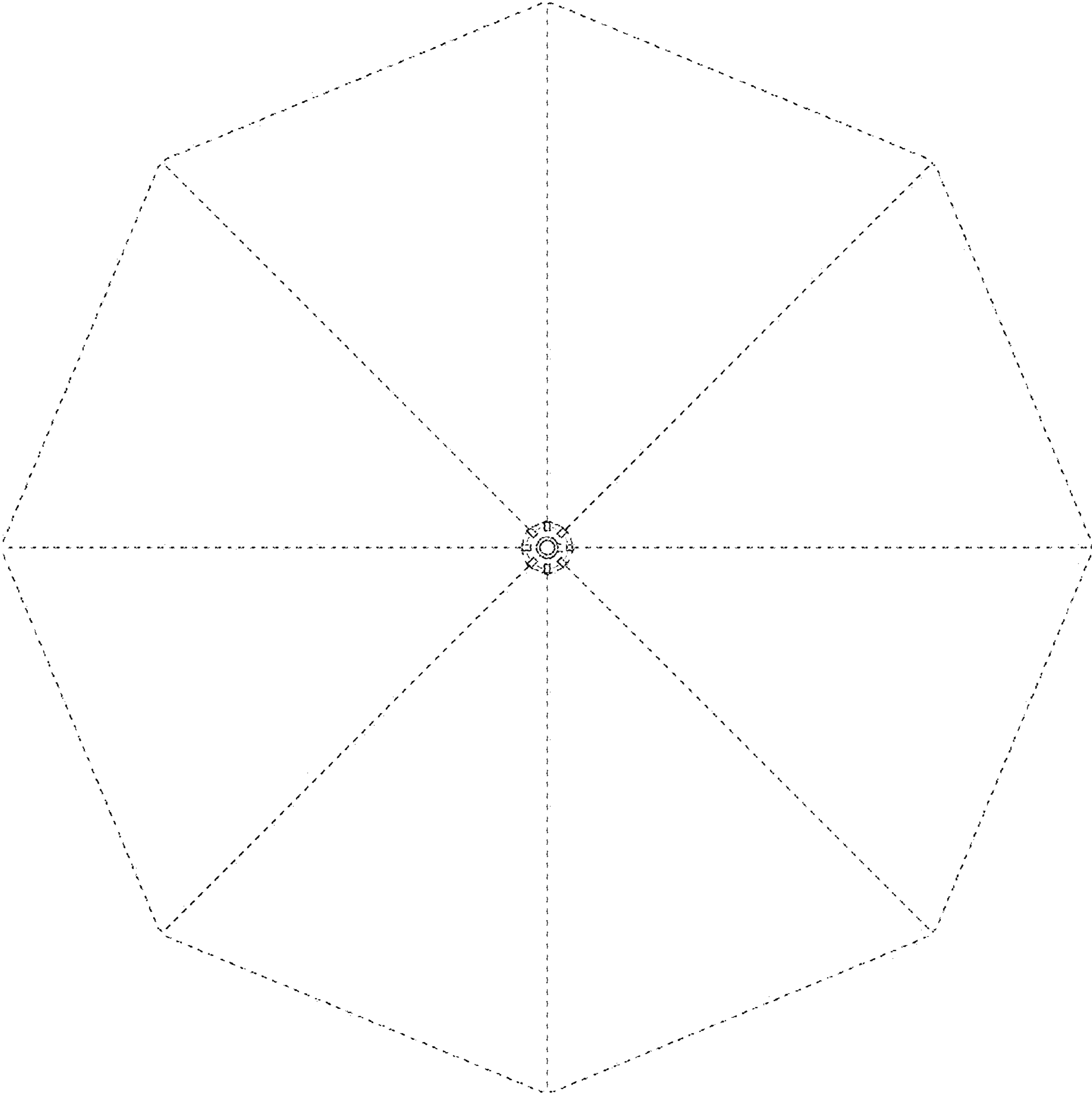


FIG. 6



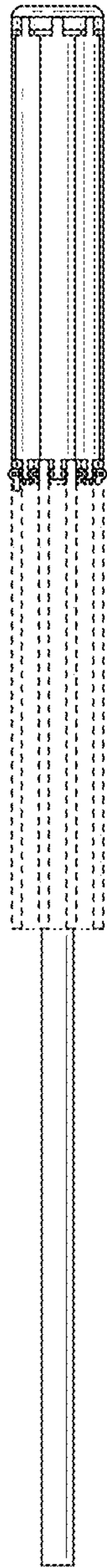


FIG. 7

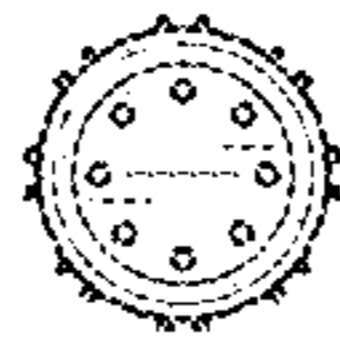


FIG. 8

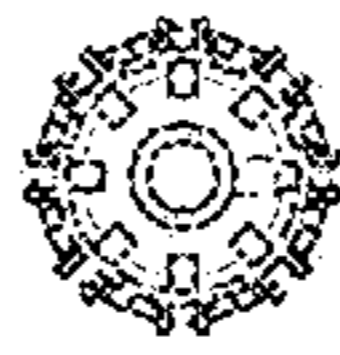


FIG. 9

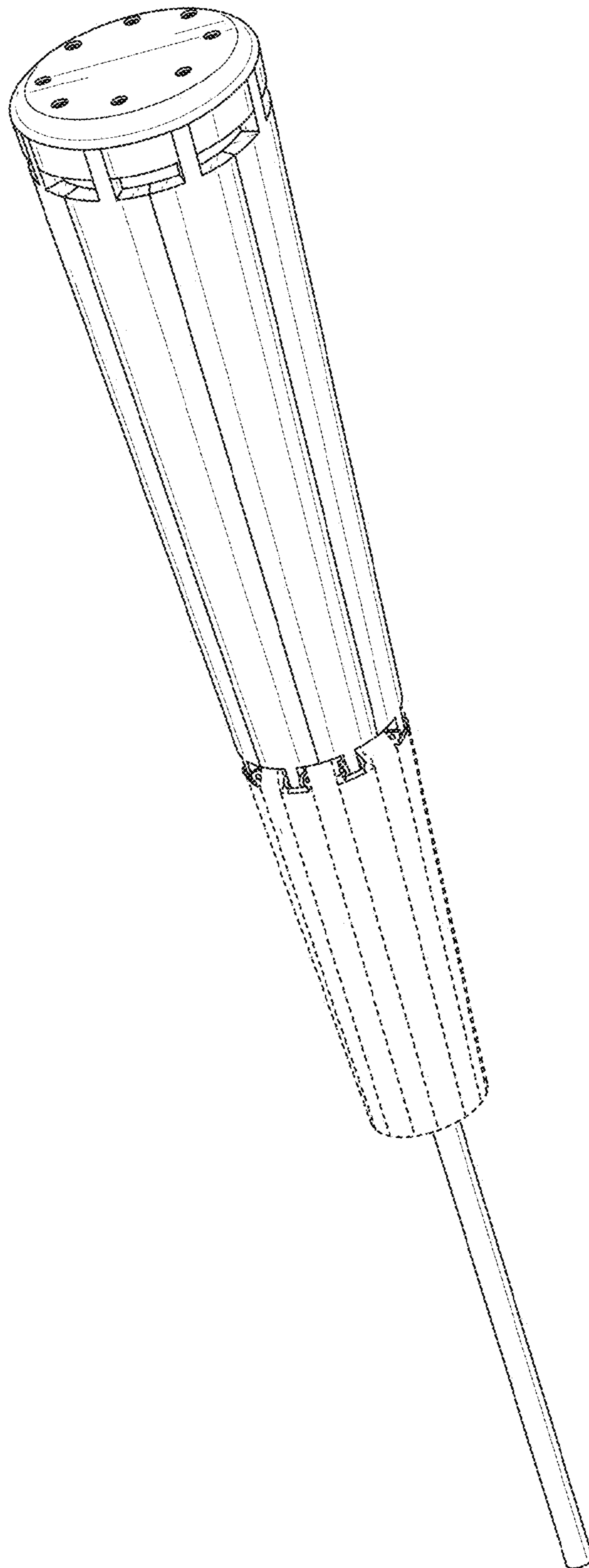


FIG. 10

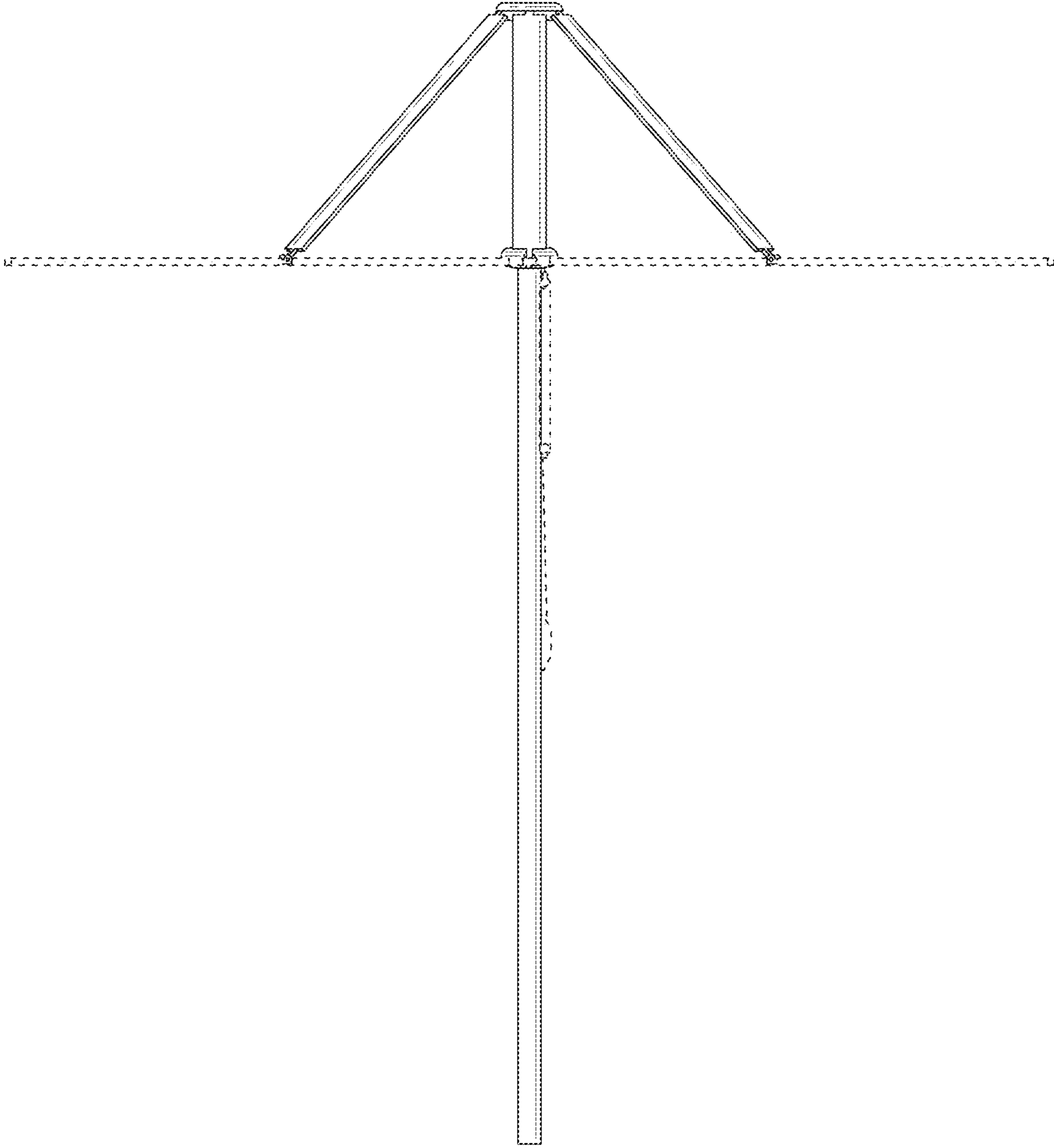


FIG. 11



FIG. 12

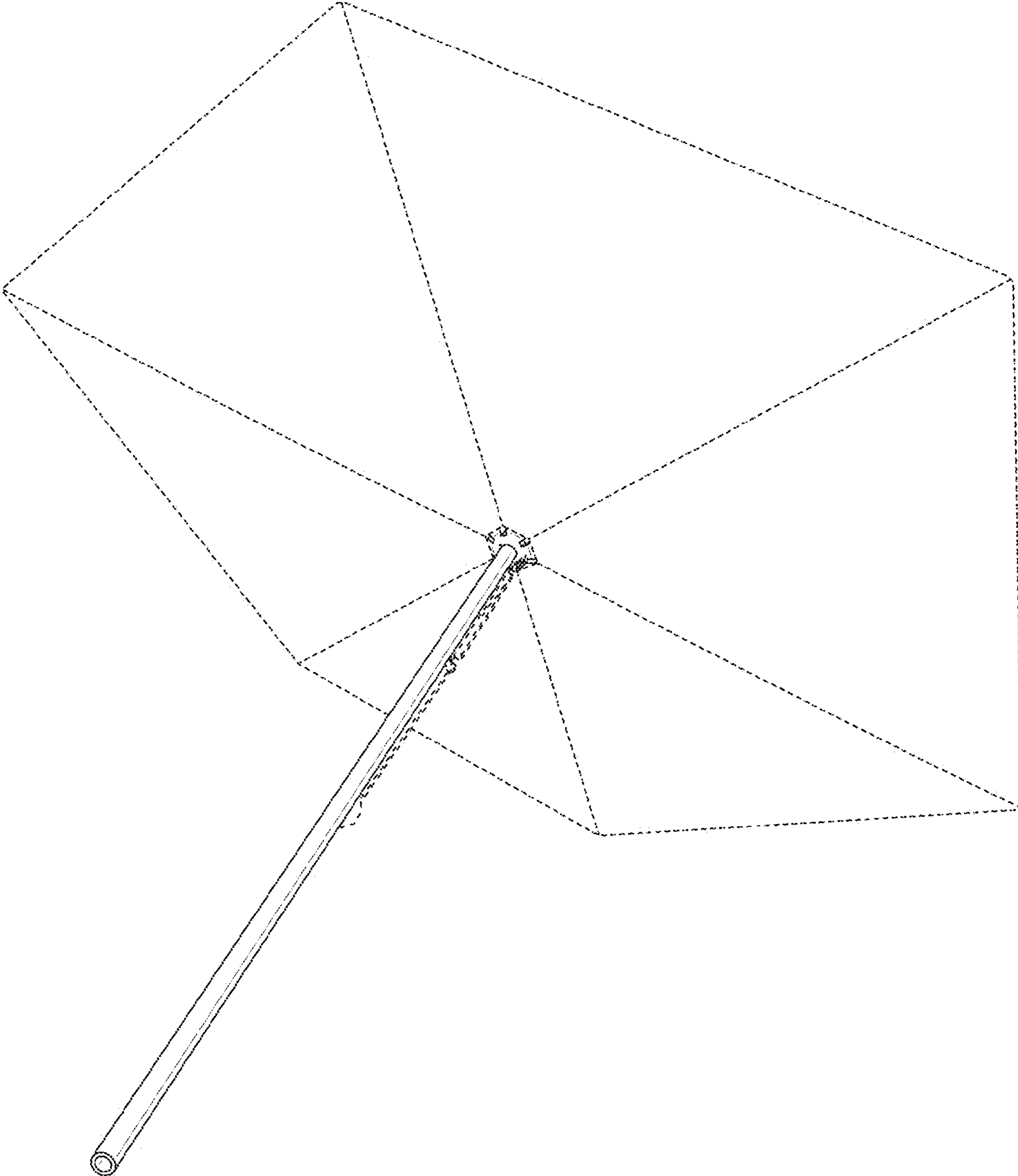


FIG. 13

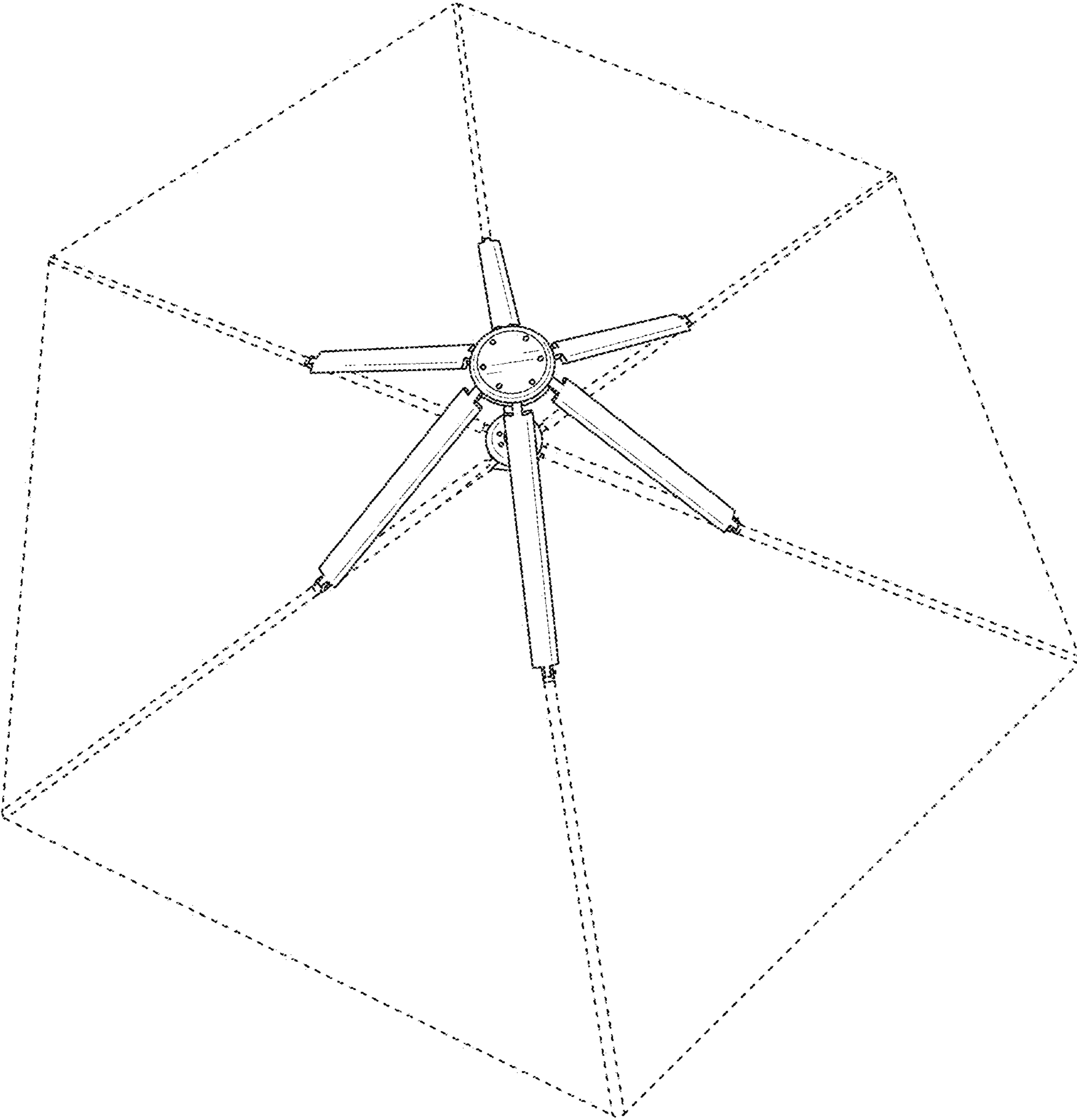


FIG. 14



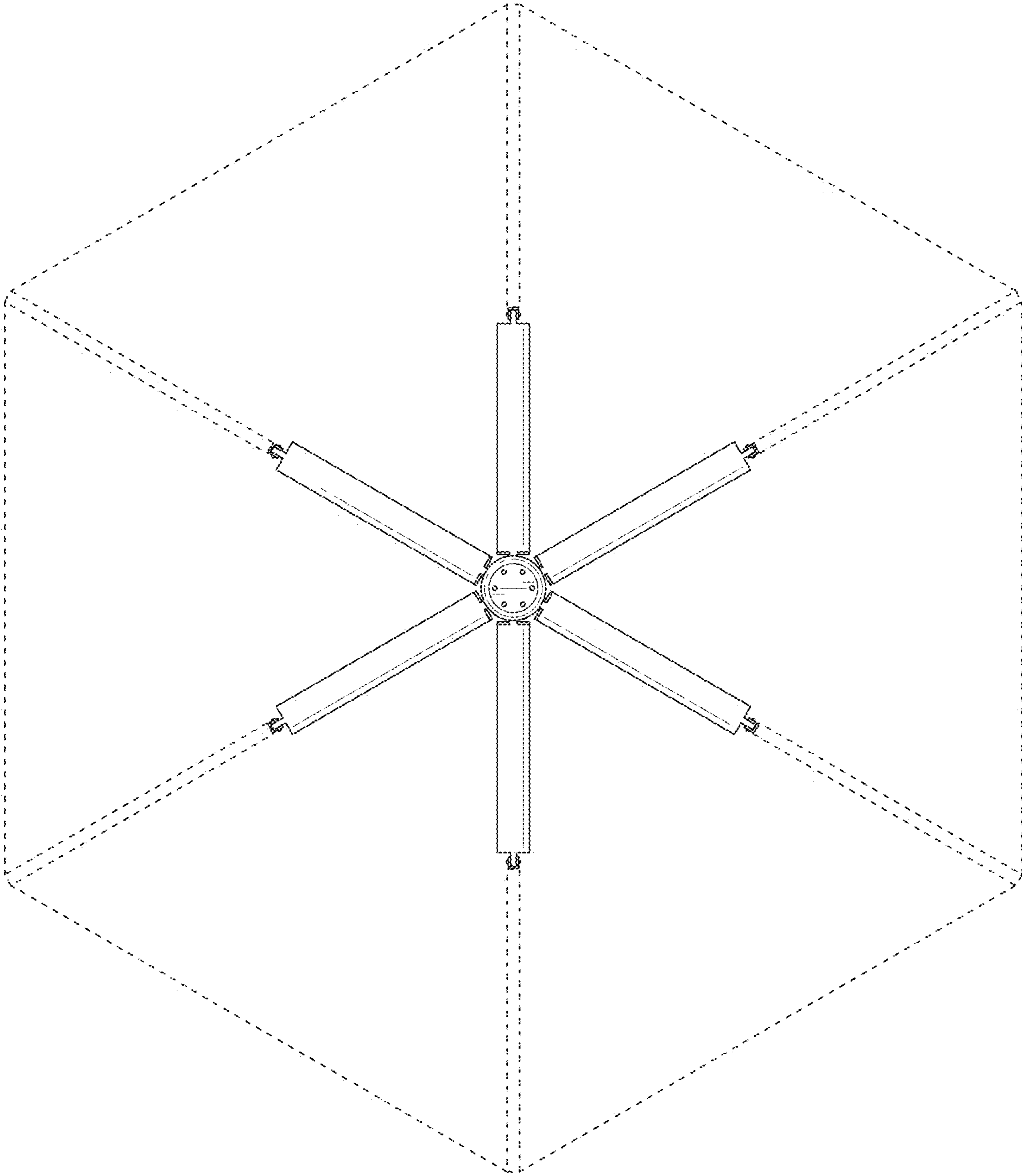


FIG. 15

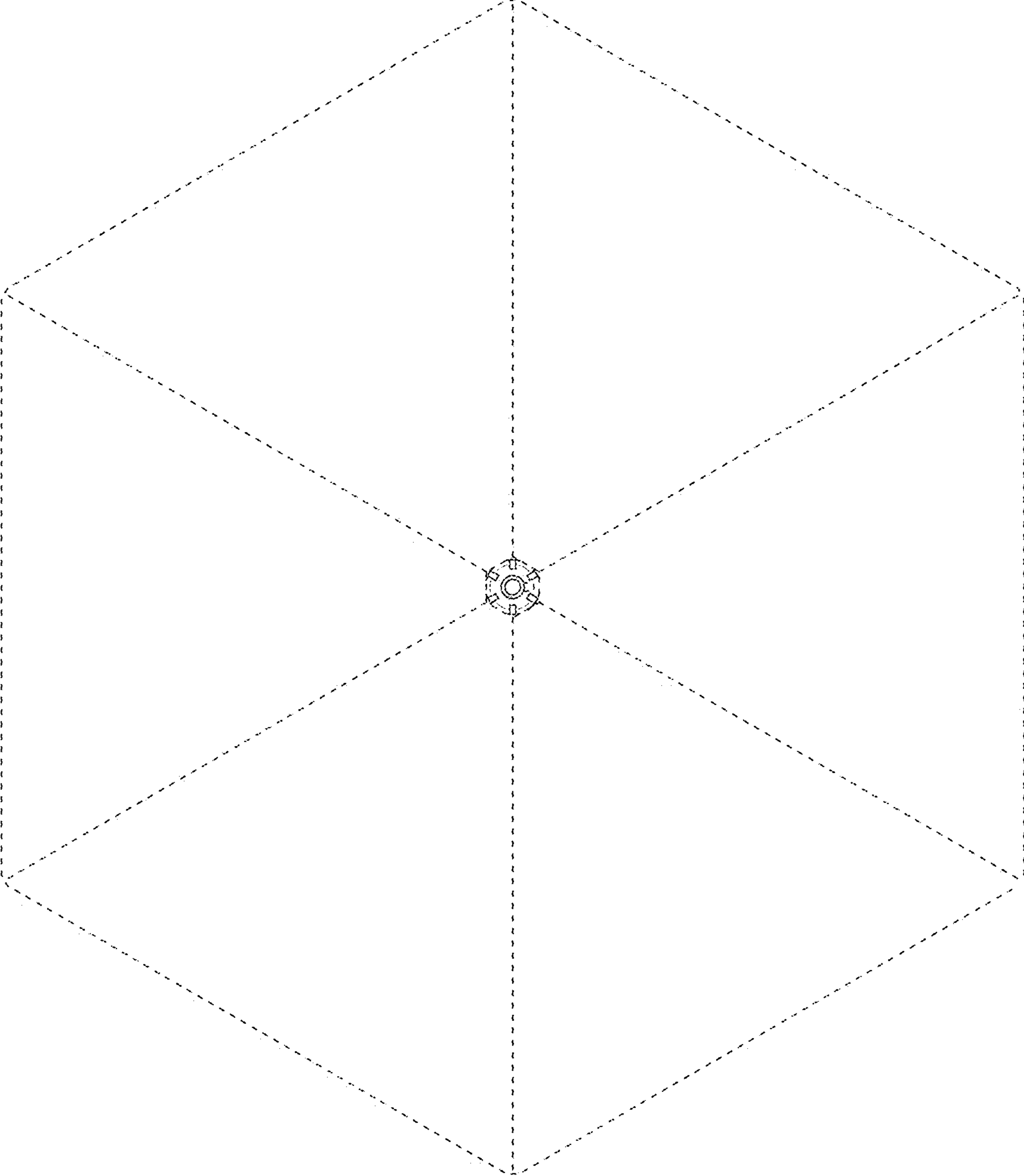


FIG. 16

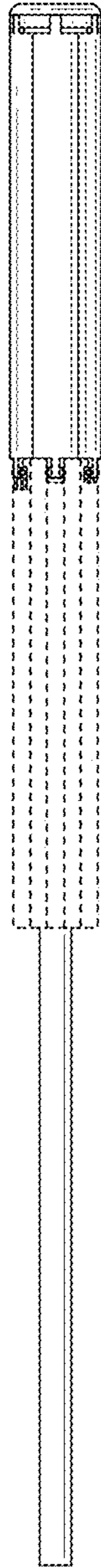


FIG. 17

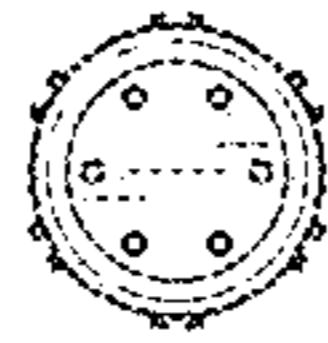


FIG. 18



FIG. 19

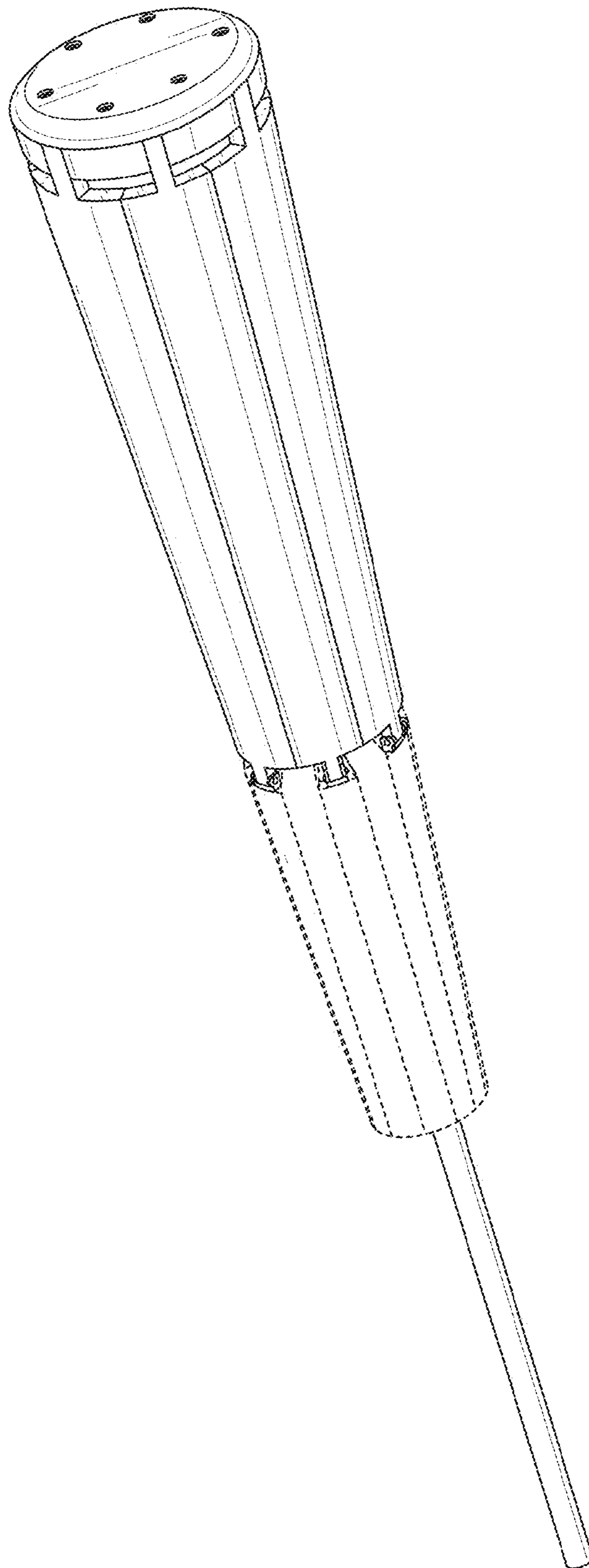


FIG. 20