



US00D943257S

(12) **United States Design Patent** (10) **Patent No.:** **US D943,257 S**  
**Jones** (45) **Date of Patent:** **\*\* Feb. 15, 2022**

(54) **SHOE**  
(71) Applicant: **NIKE, Inc.**, Beaverton, OR (US)  
(72) Inventor: **Evan Jones**, Portland, OR (US)  
(73) Assignee: **NIKE, Inc.**, Beaverton, OR (US)  
(\*\*) Term: **15 Years**

D452,061 S \* 12/2001 Smith ..... D2/947  
D468,082 S \* 1/2003 Brown ..... D2/955  
D470,999 S \* 3/2003 Schroeder ..... D2/951  
D487,955 S \* 4/2004 Ammon ..... D2/951  
D529,693 S 10/2006 Le  
D530,493 S \* 10/2006 Holmes ..... D2/957  
D531,394 S \* 11/2006 Bonnemere ..... D2/957  
D531,789 S \* 11/2006 Kohastu ..... D2/959

(Continued)

(21) Appl. No.: **29/772,297**  
(22) Filed: **Mar. 1, 2021**  
(51) **LOC (13) Cl.** ..... **02-04**  
(52) **U.S. Cl.**  
USPC ..... **D2/957**; D2/951; D2/953; D2/960  
(58) **Field of Classification Search**  
USPC ..... D2/902, 906, 908, 916, 918, 925,  
D2/946-962, 977; 36/3 B, 22 R, 24.5,  
36/25 R, 28, 32 R, 34 R, 59 C, 67 A, 103  
CPC ..... A43B 13/00; A43B 13/02; A43B 13/023;  
A43B 13/026; A43B 13/04; A43B 13/08;  
A43B 13/10; A43B 13/12; A43B 13/14;  
A43B 13/141; A43B 13/143; A43B  
13/16; A43B 13/18; A43B 13/181; A43B  
13/187; A43B 13/189; A43B 13/20; A43B  
13/22; A43B 13/223; A43B 13/24; A43B  
13/28; A43B 13/30; A43B 13/32; A43B  
13/34; A43B 13/36  
See application file for complete search history.

FOREIGN PATENT DOCUMENTS

CN 303760119 S 8/2016  
CN 303917402 S 11/2016

(Continued)

OTHER PUBLICATIONS

“Air Jordan 1 High Zoom Headlines The Jordan Brand Crater Collection”; Sneaker News; retrieved Feb. 17, 2021; published Jul. 14, 2020; URL: <<https://sneakernews.com/2020/07/14/jordan-crater-collection-fall-2020-release-info/>>.

(Continued)

*Primary Examiner* — T Chase Nelson  
(74) *Attorney, Agent, or Firm* — Banner & Witcoff, Ltd.

(57) **CLAIM**

The ornamental design for a shoe, as shown and described.

**DESCRIPTION**

FIG. 1 is a bottom front perspective view of a shoe showing my new design;

FIG. 2 is a bottom view thereof; and,

FIG. 3 is a bottom rear perspective view thereof.

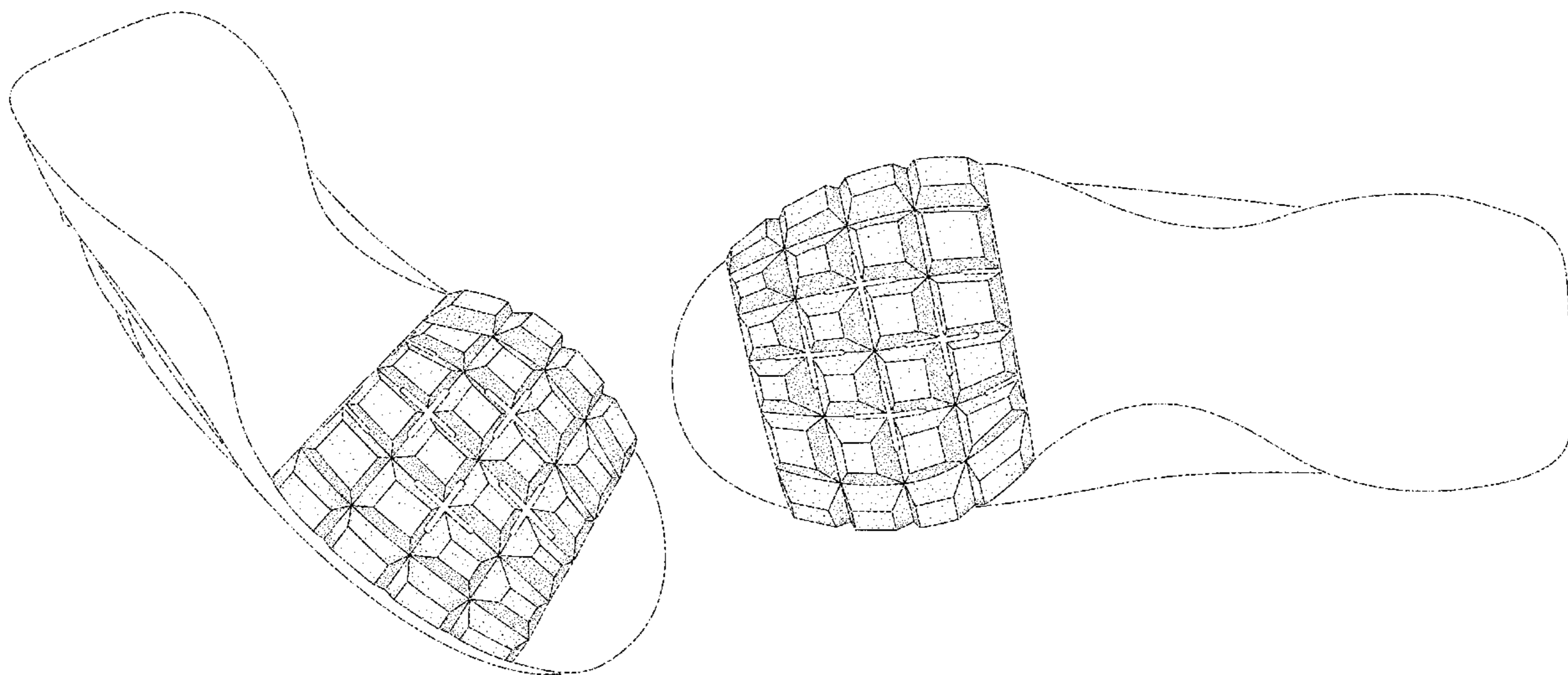
The broken lines immediately adjacent to the shaded area define the bounds of the claimed design and form no part thereof. The broken lines within the shaded area form no part of the claimed design. The broken lines depicting the remainder of the shoe form no part of the claimed design.

**1 Claim, 3 Drawing Sheets**

(56) **References Cited**

U.S. PATENT DOCUMENTS

4,438,573 A \* 3/1984 McBarron ..... A43B 7/081  
36/3 B  
D329,536 S 9/1992 Lucas  
D388,314 S \* 12/1997 Tresser ..... D2/951  
D393,142 S \* 4/1998 Brown ..... D2/900  
D395,740 S \* 7/1998 Cass ..... D2/951  
D440,748 S \* 4/2001 Morgan ..... D2/953  
D441,946 S \* 5/2001 Agnew ..... D2/953



(56)

References Cited

U.S. PATENT DOCUMENTS

D536,163 S 2/2007 McClaskie  
 D538,519 S 3/2007 McClaskie  
 D561,439 S \* 2/2008 Schoenborn ..... B29D 35/0054  
 D2/953  
 D570,081 S \* 6/2008 Longuet ..... D2/953  
 D642,362 S 8/2011 Miner  
 D657,542 S \* 4/2012 Duan ..... A43B 13/223  
 D2/960  
 D667,617 S \* 9/2012 Spring ..... B29D 35/148  
 D2/954  
 D675,002 S 1/2013 Marvin et al.  
 D709,274 S 7/2014 Roulo  
 D725,359 S \* 3/2015 Miner ..... D2/960  
 D735,454 S 8/2015 Yun  
 D736,508 S \* 8/2015 Taestensen ..... D2/957  
 D749,310 S 2/2016 Greenhalgh  
 D783,966 S 4/2017 Raasch  
 D784,674 S 4/2017 Raasch  
 D787,674 S 5/2017 Sosa et al.  
 D789,048 S 6/2017 Lee  
 D793,682 S 8/2017 Bacon et al.  
 D807,001 S 1/2018 Greenhalgh  
 D809,759 S 2/2018 Kanata  
 D815,815 S 4/2018 Moore  
 D822,963 S 7/2018 Moore  
 D831,318 S 10/2018 Louboutin  
 D838,445 S \* 1/2019 Kains ..... D2/912  
 D843,095 S \* 3/2019 Birkinhead ..... D2/957  
 D850,771 S 6/2019 Schultze  
 D851,885 S 6/2019 Sebastian  
 D855,959 S 8/2019 Jenkins et al.  
 D861,309 S \* 10/2019 Wang ..... D2/957  
 D862,059 S 10/2019 de Montgolfier  
 D868,441 S 12/2019 Greenhalgh  
 D871,147 S 12/2019 Farahani  
 D871,734 S 1/2020 Gerig  
 D879,435 S 3/2020 de Montgolfier  
 D883,632 S 5/2020 Roulo  
 D894,568 S 9/2020 de Montgolfier  
 D894,569 S 9/2020 de Montgolfier  
 D895,246 S 9/2020 Murphy-Reinhertz et al.  
 D897,652 S 10/2020 Wilkinson  
 D903,265 S 12/2020 Beaver  
 D905,399 S 12/2020 Hong et al.  
 D907,346 S 1/2021 Rezaie  
 D908,333 S 1/2021 Ngene  
 D910,294 S \* 2/2021 Gerig ..... A43B 7/081  
 D2/957  
 D912,384 S 3/2021 Beaver  
 D913,648 S 3/2021 Dean  
 D913,650 S 3/2021 Ortega

2009/0255625 A1\* 10/2009 Fox ..... B29D 35/148  
 156/247  
 2019/0091895 A1\* 3/2019 Knappworst ..... A43B 13/223  
 2019/0365029 A1\* 12/2019 Cross ..... A43B 13/12  
 2019/0365044 A1\* 12/2019 Cross ..... A43B 13/122  
 2019/0366667 A1\* 12/2019 Cross ..... B29D 35/0054

FOREIGN PATENT DOCUMENTS

CN 304181733 S 6/2017  
 CN 304781290 S 8/2018  
 CN 305272016 S 7/2019  
 CN 305481776 S 12/2019  
 CN 306006985 S 8/2020  
 CN 306088424 S 10/2020  
 CN 306258893 S 1/2021  
 JP D1605388 6/2018

OTHER PUBLICATIONS

“Nike to Debut A Brand New Crater Model—The Crater Impact”; Sneaker News; retrieved Feb. 17, 2021; published Jan. 19, 2021; URL: <<https://sneakernews.com/2021/01/19/nike-crater-impact-white-orange-db2477-100-release-info/>>.  
 Nike Footwear Catalog, 1995 Spring Footwear, p. 104, published Jun. 1994, Nike, Inc., USA.  
 Nike Footwear Catalog, 1995 Spring Footwear, p. 19, published Jun. 1994, Nike, Inc., USA.  
 Nike Footwear Catalog, 2001 Spring Men’s and Women’s Footwear 2, p. M8, published Nov. 2000, Nike, Inc., USA.  
 Nike Footwear Catalog, 2003 Fall Men’s and Women’s Footwear, p. W8, published Nov. 2002, Nike, Inc., USA.  
 Nike Footwear Catalog, 2004 Fall Jordan Apparel & Footwear, p. 14, published Nov. 2002, Nike, Inc., USA.  
 Nike Footwear Catalog, 2007 Fall Footwear, p. 145, published Nov. 2005, Nike, Inc., USA.  
 Nike Footwear Catalog, 2008 Spring Footwear, p. 227, published May 2007, Nike, Inc., USA.  
 Nike Footwear Catalog, 2009 Spring Sport Performance Footwear, p. 17, published Nov. 2008, Nike, Inc., USA.  
 Nike Footwear Catalog, 2012 Spring Men’s Performance Footwear, p. 4, published May 2011, Nike, Inc., USA.  
 Nike Footwear Catalog, 2013 Spring Sportswear Lab Footwear Flyer, p. 4, published May 2012, Nike, Inc., USA.  
 Nike Footwear Catalog, 2014 Spring Men’s Footwear Performance, p. 16, published Nov. 1, 2013, Nike, Inc., USA.  
 Nike Footwear Catalog, 2014 Spring Men’s Nike Sportswear Footwear Best, p. 17, published Nov. 1, 2013, Nike, Inc., USA.  
 Nike Footwear Catalog, 2016 Fall Athletic Specialty Footwear NA, p. 124, published Nov. 2014, Nike, Inc., USA.  
 Nike Footwear Catalog, 2018 Holiday Sportswear, p. 156, published May 2016, Nike, Inc., USA.

\* cited by examiner

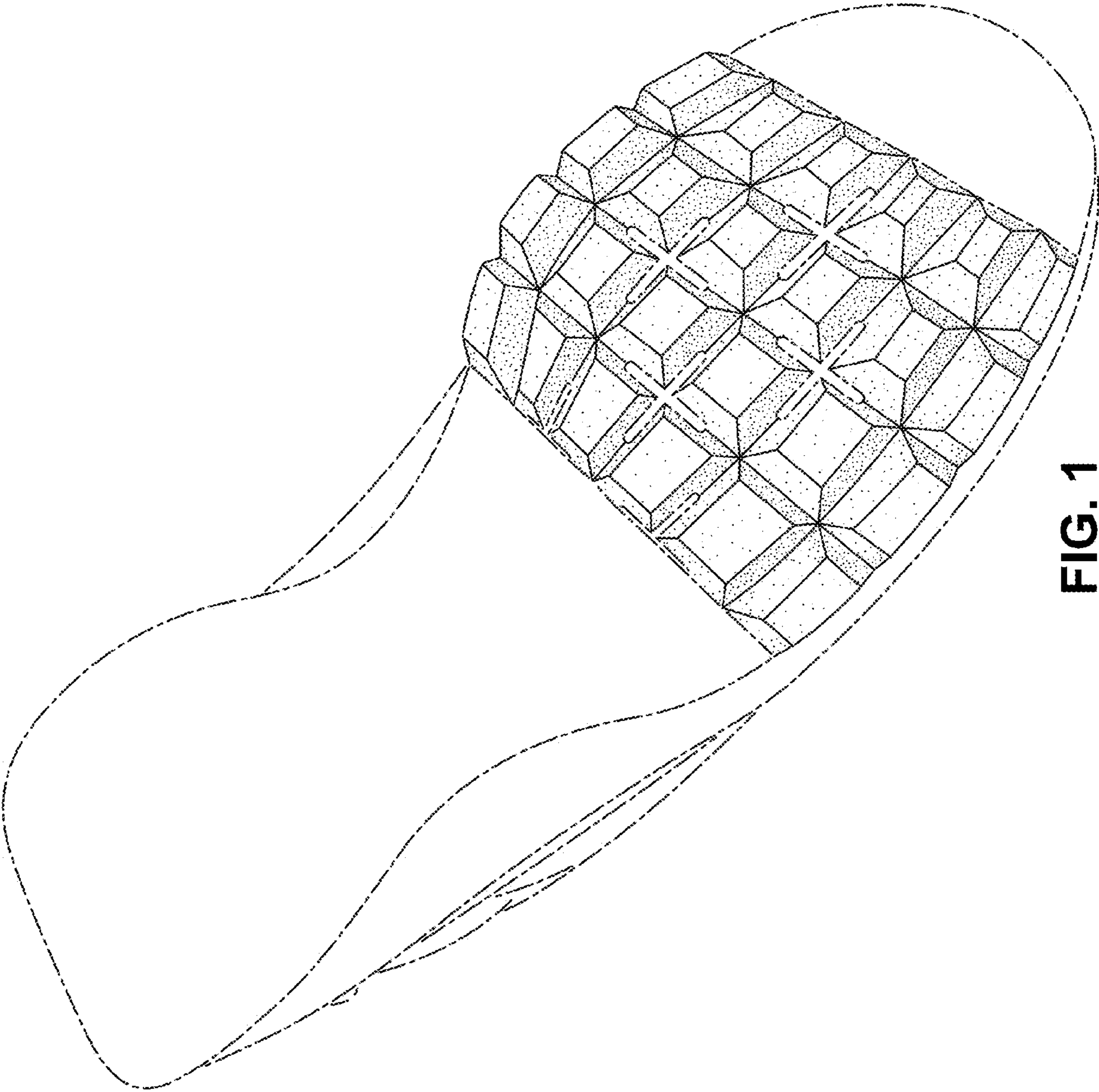


FIG. 1

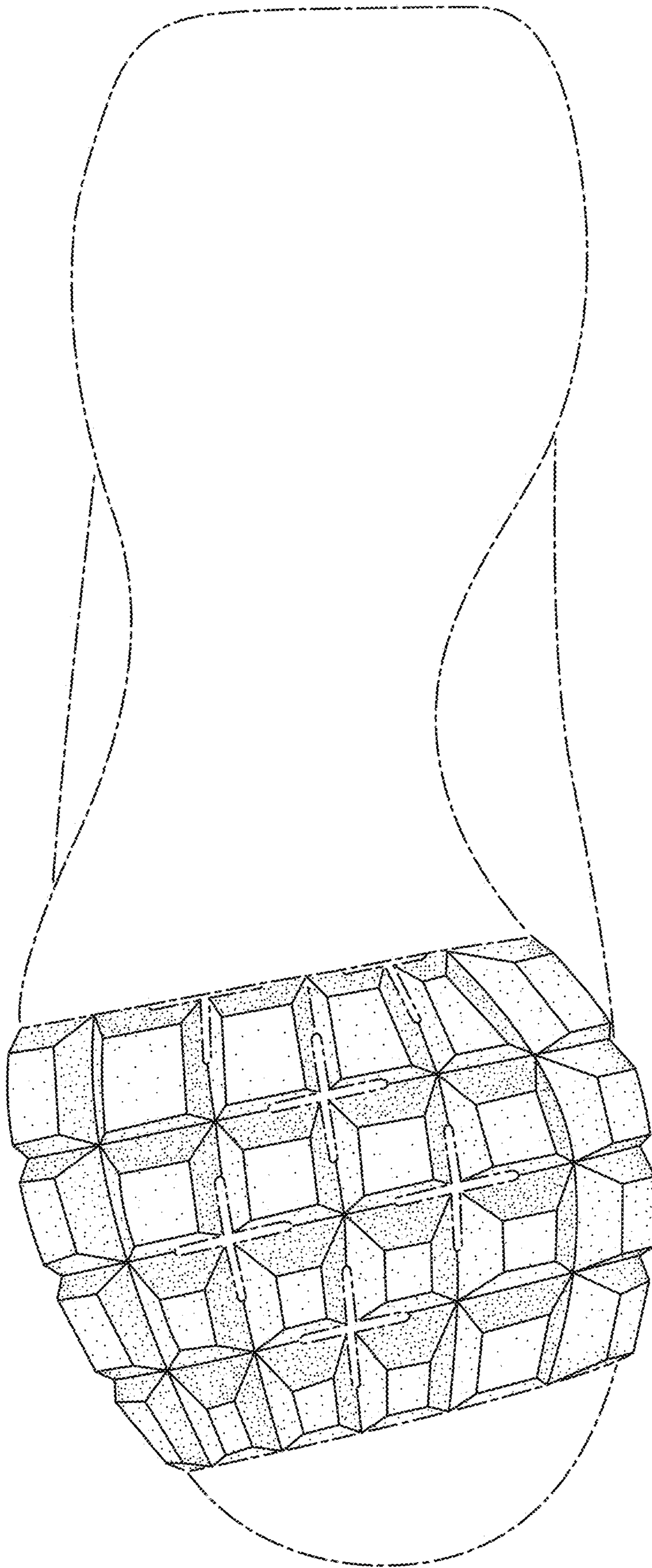


FIG. 2

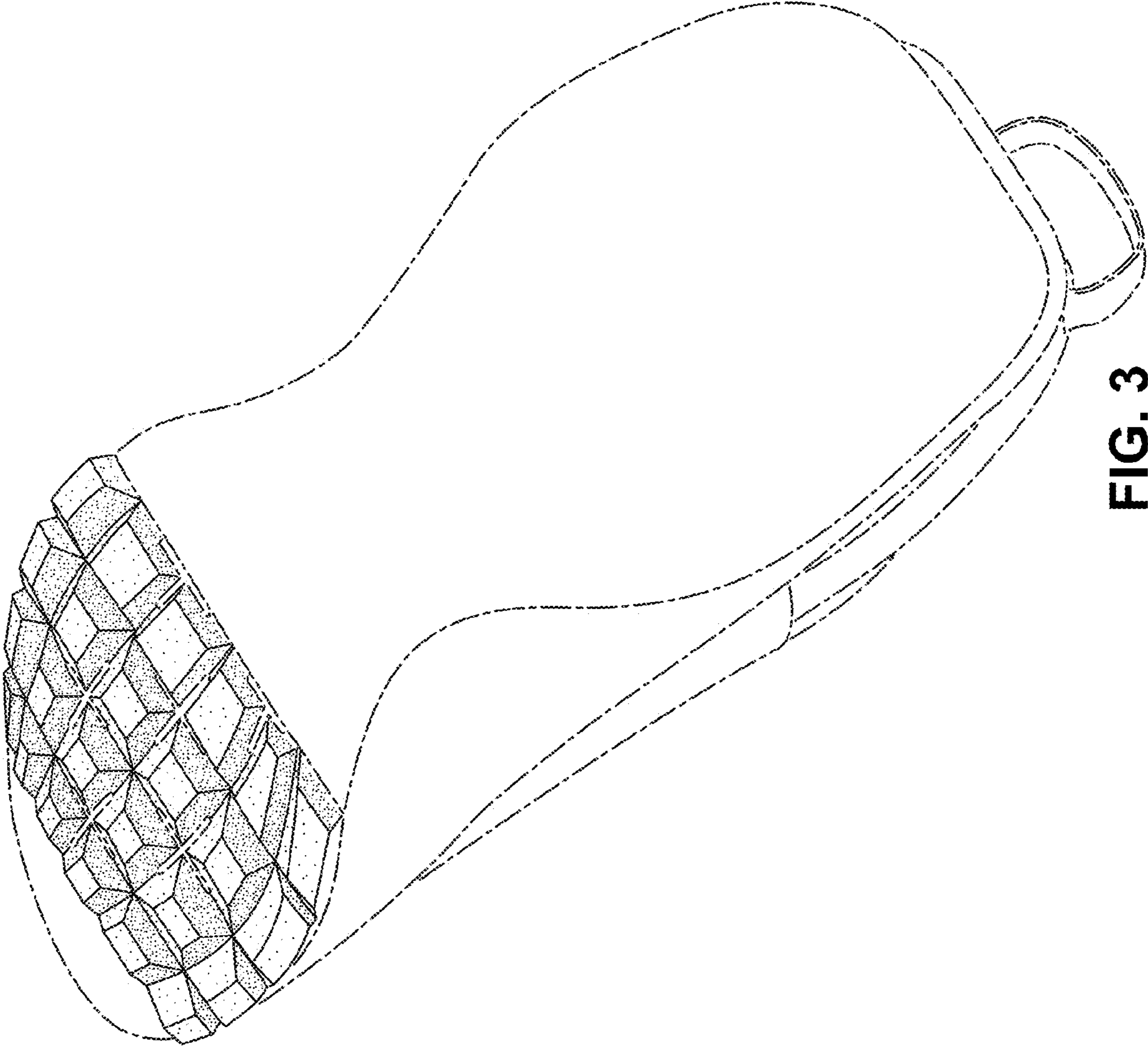


FIG. 3