



US00D943253S

(12) **United States Design Patent**
Park

(10) **Patent No.:** **US D943,253 S**

(45) **Date of Patent:** **** Feb. 15, 2022**

- (54) **SHOE**
- (71) Applicant: **PUMA SE**, Herzogenaurach (DE)
- (72) Inventor: **Hyunchul Park**, Nuremberg (DE)
- (73) Assignee: **PUMA SE**, Herzogenaurach (DE)
- (**) Term: **15 Years**

- D569,588 S * 5/2008 James D2/908
- D577,880 S * 10/2008 White D2/896
- D613,480 S * 4/2010 Lamont D2/902
- D613,481 S * 4/2010 Yarn D2/902
- D703,927 S * 5/2014 Taestensen D2/953
- D731,761 S * 6/2015 Carroll D2/907
- D760,483 S * 7/2016 Siegel D2/908
- D769,586 S * 10/2016 Buscemi D2/902
- D774,288 S * 12/2016 Pina D2/908

(Continued)

- (21) Appl. No.: **29/755,391**
- (22) Filed: **Oct. 20, 2020**
- (51) **LOC (13) Cl.** **02-04**
- (52) **U.S. Cl.**
USPC **D2/947**; D2/960
- (58) **Field of Classification Search**
USPC D2/902, 906, 908, 916, 918, 925,
D2/946-962, 977; 36/1, 1.5, 3 B, 22 R,
36/24.5, 25 R, 28, 32 R, 34 R, 59 C,
36/67 A, 101-107, 114-116, 117.3, 117.4,
36/124-136
CPC A43B 13/02; A43B 13/023; A43B 13/026;
A43B 13/04; A43B 13/08; A43B 13/10;
A43B 13/12; A43B 13/14; A43B 13/141;
A43B 13/143; A43B 13/16; A43B 13/18;
A43B 13/181; A43B 13/187; A43B
13/189; A43B 13/20; A43B 13/22; A43B
13/223; A43B 13/24; A43B 13/28; A43B
13/30; A43B 13/32; A43B 13/34; A43B
13/36
See application file for complete search history.

(56) **References Cited**

U.S. PATENT DOCUMENTS

- D238,983 S * 3/1976 Senter D2/907
- D296,035 S * 6/1988 Le D2/977
- D324,940 S * 3/1992 Claveria D2/947
- D499,239 S * 12/2004 Burg D2/953
- D569,587 S * 5/2008 James D2/908

OTHER PUBLICATIONS

Mayze Chelsea Suede Women's Boots, Puma.com, [online], [site visited Nov. 17, 2021].<URL: https://us.puma.com/us/en/pd/mayze-chelsea-suede-womens-boots/382829.html?dwvar_382829_color=04> (Year: 2021).*

(Continued)

Primary Examiner — T Chase Nelson
Assistant Examiner — Jonathan J Han
(74) *Attorney, Agent, or Firm* — Quarles & Brady LLP

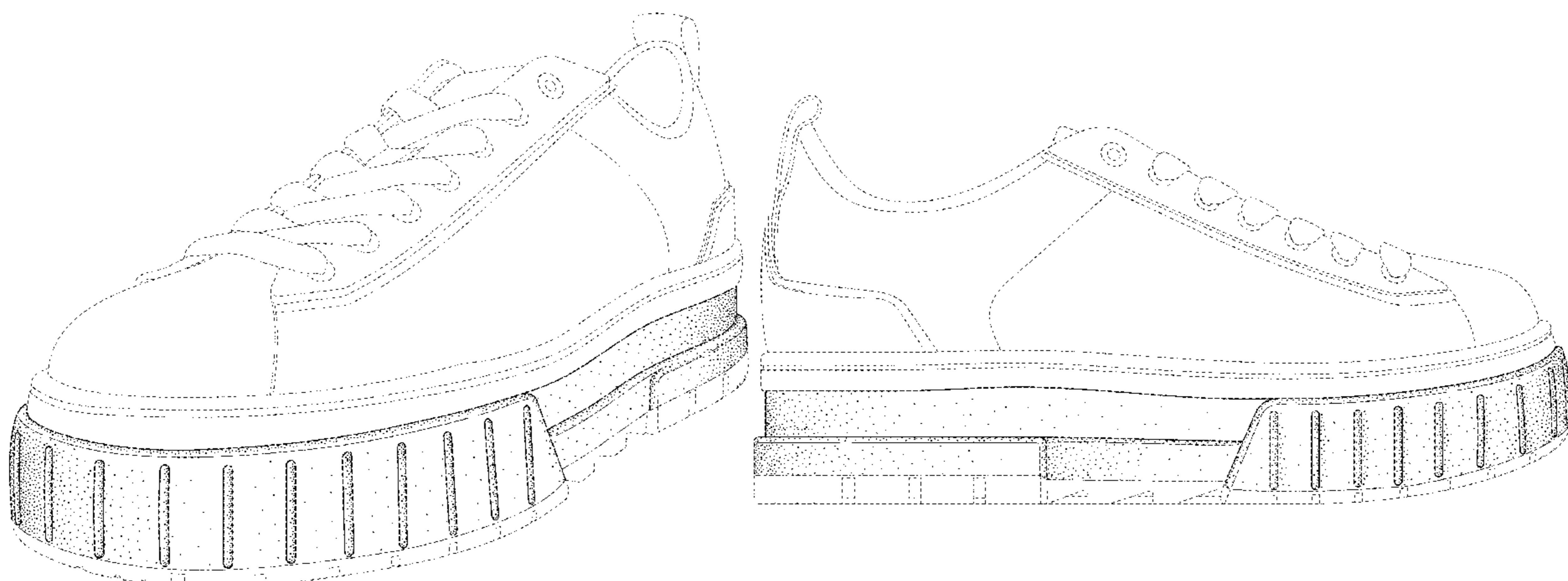
(57) **CLAIM**

The ornamental design for a shoe, as shown and described.

DESCRIPTION

FIG. 1 is a top, left, and front perspective view of an ornamental design for a shoe;
FIG. 2 is a front elevational view of the shoe of FIG. 1;
FIG. 3 is a rear elevational view of the shoe of FIG. 1;
FIG. 4 is a left side elevational view of the shoe of FIG. 1;
FIG. 5 is a right side elevational view of the shoe of FIG. 1;
FIG. 6 is a top plan view of the shoe of FIG. 1; and,
FIG. 7 is a bottom plan view of the shoe of FIG. 1.
The dash-dash-dash broken lines are included for the purpose of illustrating portions of the shoe that form no part of the claimed design. The dash-dot-dash broken lines depict boundary lines and form no part of the claimed design.

1 Claim, 7 Drawing Sheets



(56)

References Cited

U.S. PATENT DOCUMENTS

D783,244	S	*	4/2017	Cappini	D2/943
D792,683	S	*	7/2017	Carroll	D2/902
D796,160	S	*	9/2017	Guichot	D2/902
D812,870	S	*	3/2018	Laska	D2/945
D821,078	S	*	6/2018	Galway	D2/960
D827,258	S	*	9/2018	Pina	D2/916
D872,981	S	*	1/2020	Hooper	D2/943
D874,797	S	*	2/2020	Fongher	D2/923
D880,131	S	*	4/2020	Fick	D2/959
D885,723	S	*	6/2020	Lee	D2/947
D886,424	S	*	6/2020	McKenzie	D2/947
D887,682	S	*	6/2020	Sogorb	D2/902
D887,688	S	*	6/2020	McKenzie	D2/947
D889,787	S	*	7/2020	McKenzie	D2/947
D893,150	S	*	8/2020	Vella	D2/954
D900,440	S	*	11/2020	Ernst	D2/947
D904,739	S	*	12/2020	Ernst	D2/947
D906,652	S	*	1/2021	Lee	D2/947

OTHER PUBLICATIONS

Cali Sport Mix Women's Sneakers, Puma.com, [online], [site visited Nov. 17, 2021]. <URL: https://us.puma.com/us/en/pd/cali-sport-mix-womens-sneakers/371202.html?dwvar_371202_color=17> (Year: 2021).*

Mayze Bright Heights Women's Sneakers, Puma.com, [online], [site visited Nov. 17, 2021]: <URL: https://us.puma.com/us/en/pd/mayze-bright-heights-womens-sneakers/382742.html?dwvar_382742_color=01> (Year: 2021).*

* cited by examiner

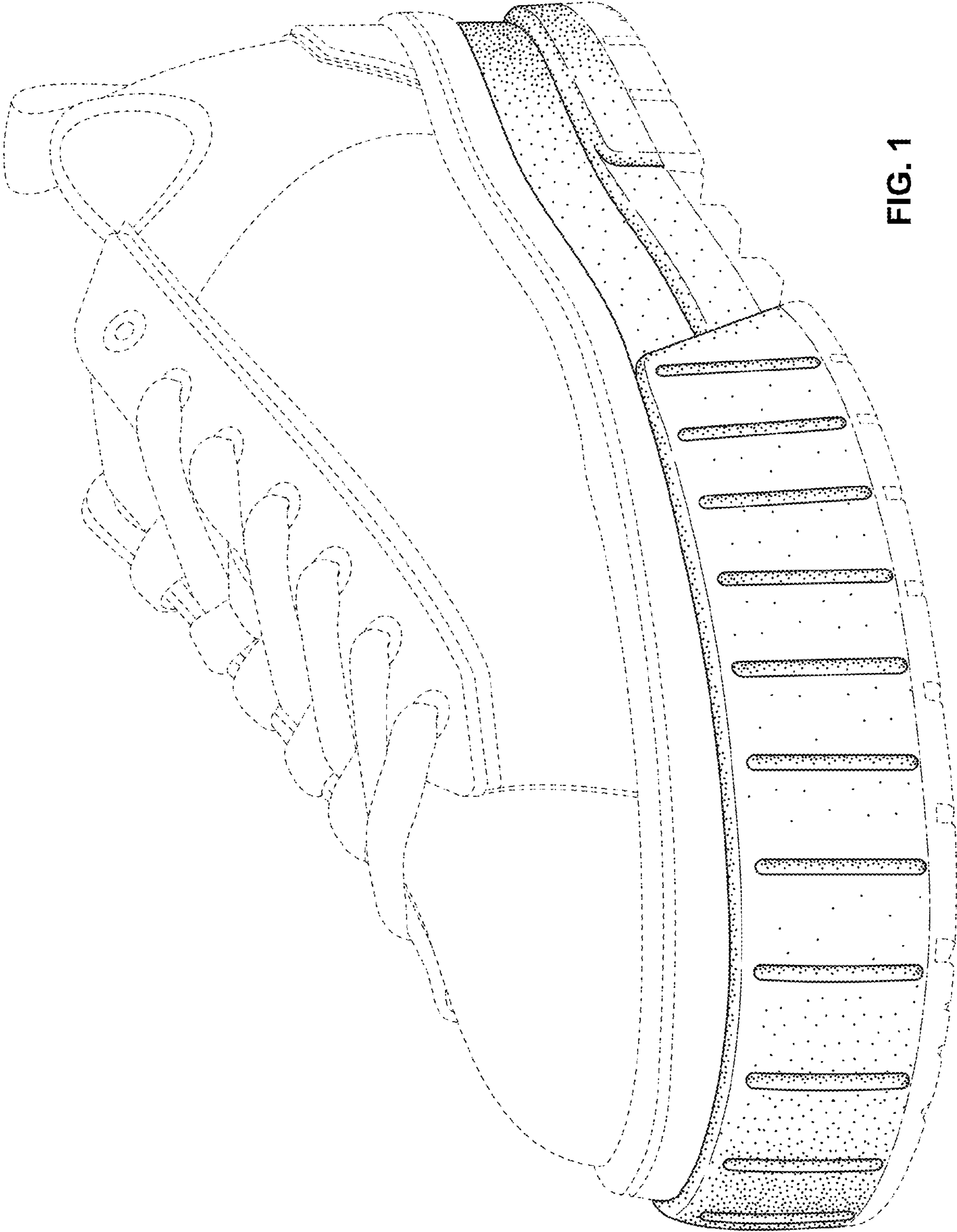


FIG. 1

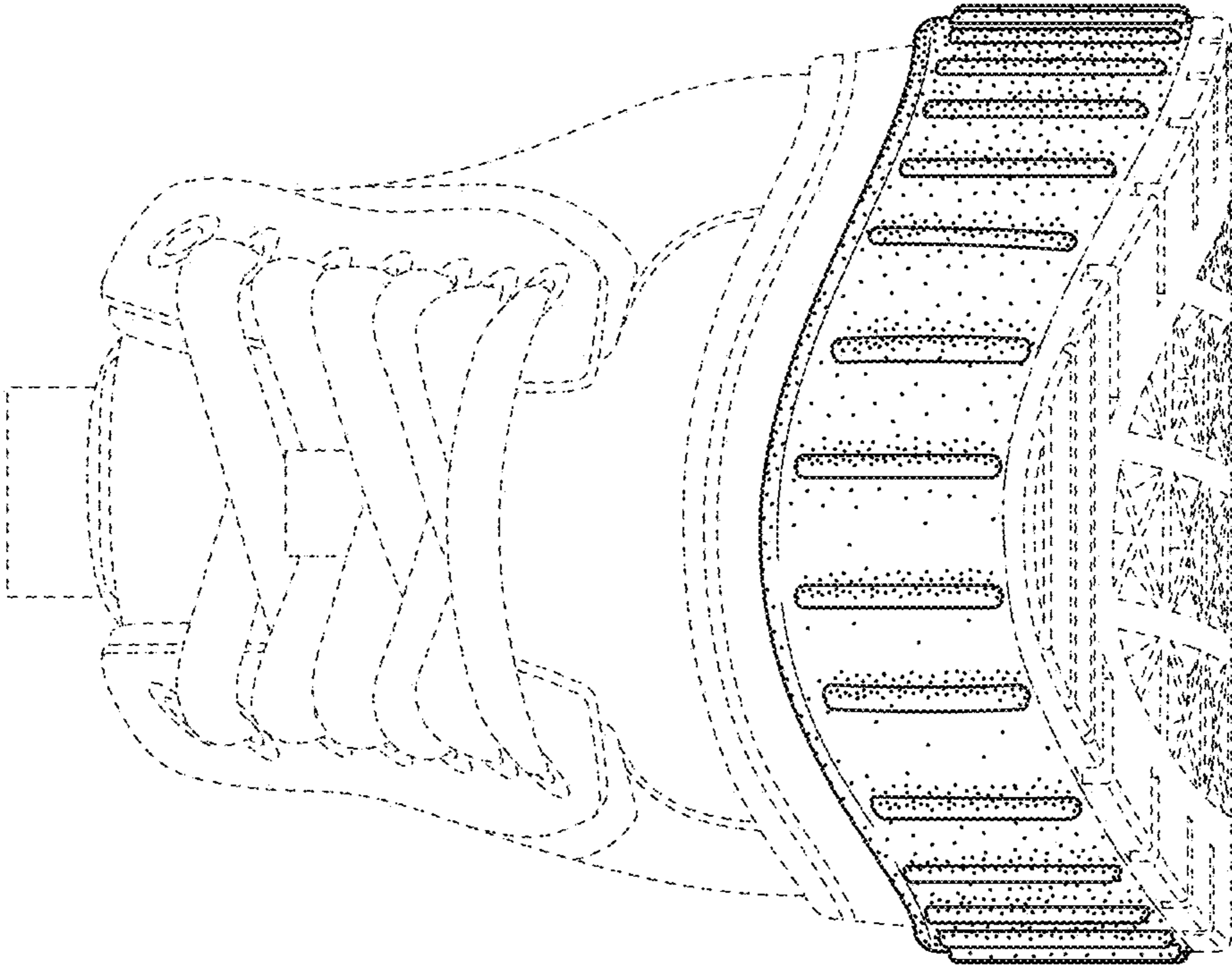


FIG. 2

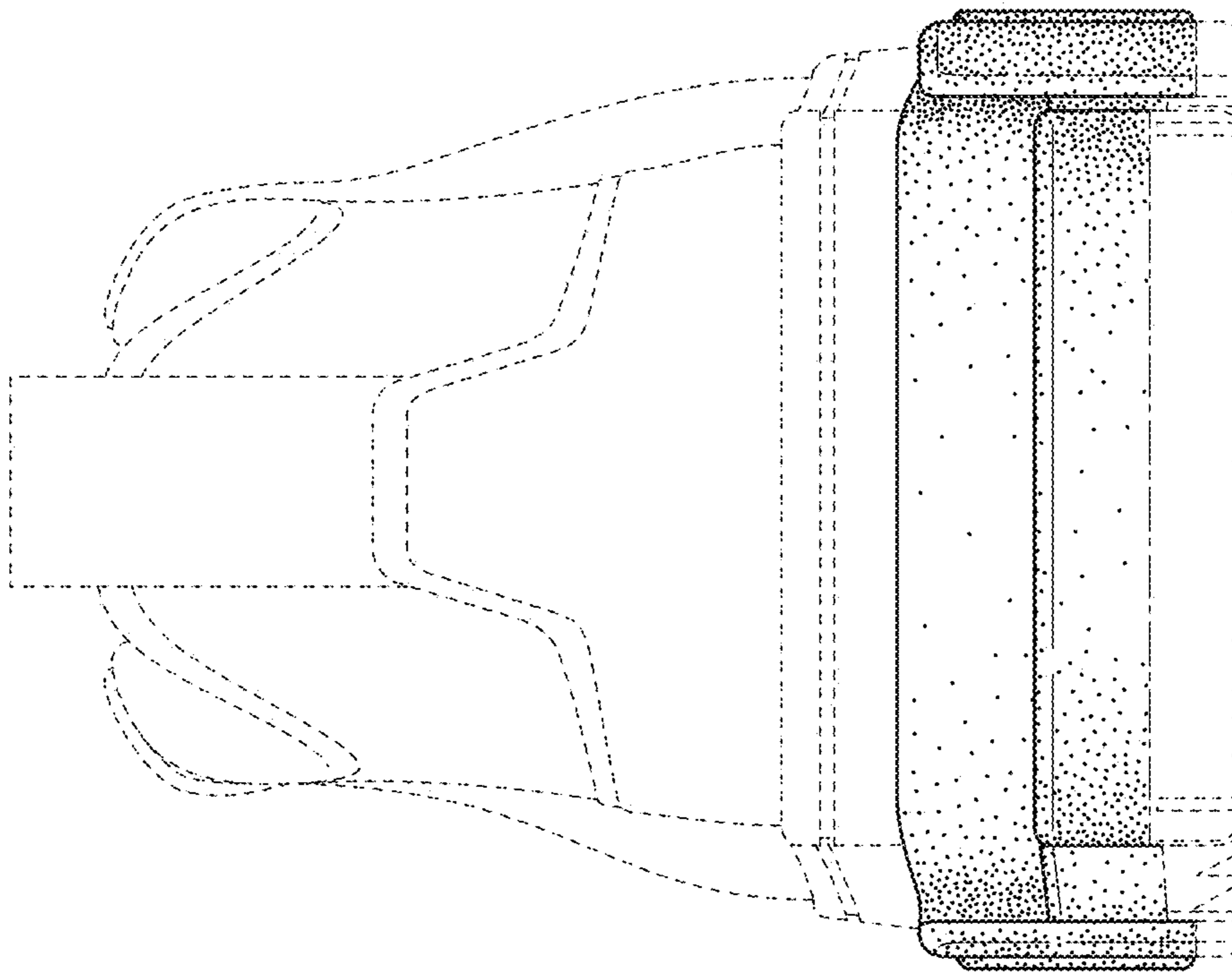


FIG. 3

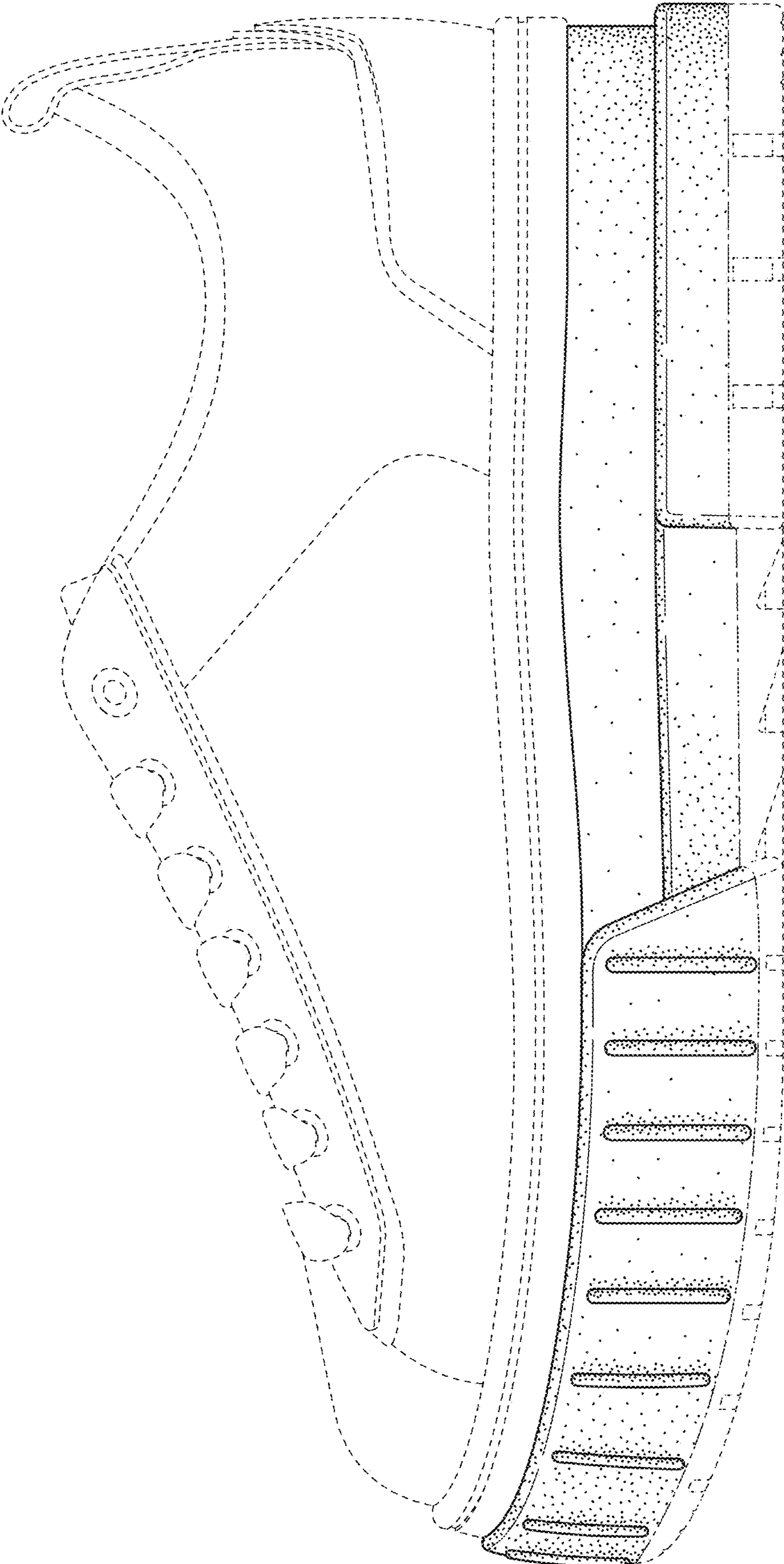


FIG. 4

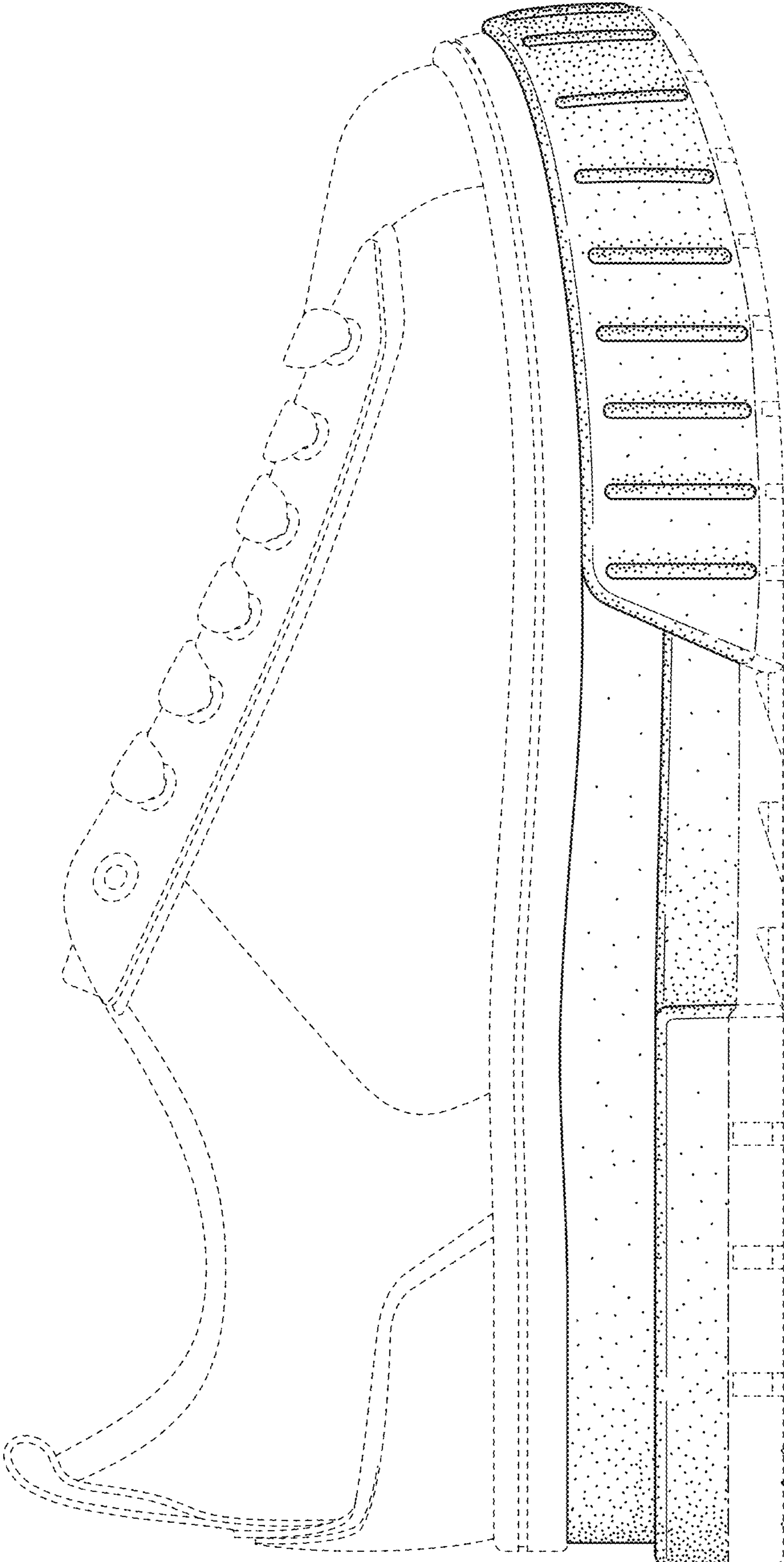


FIG. 5

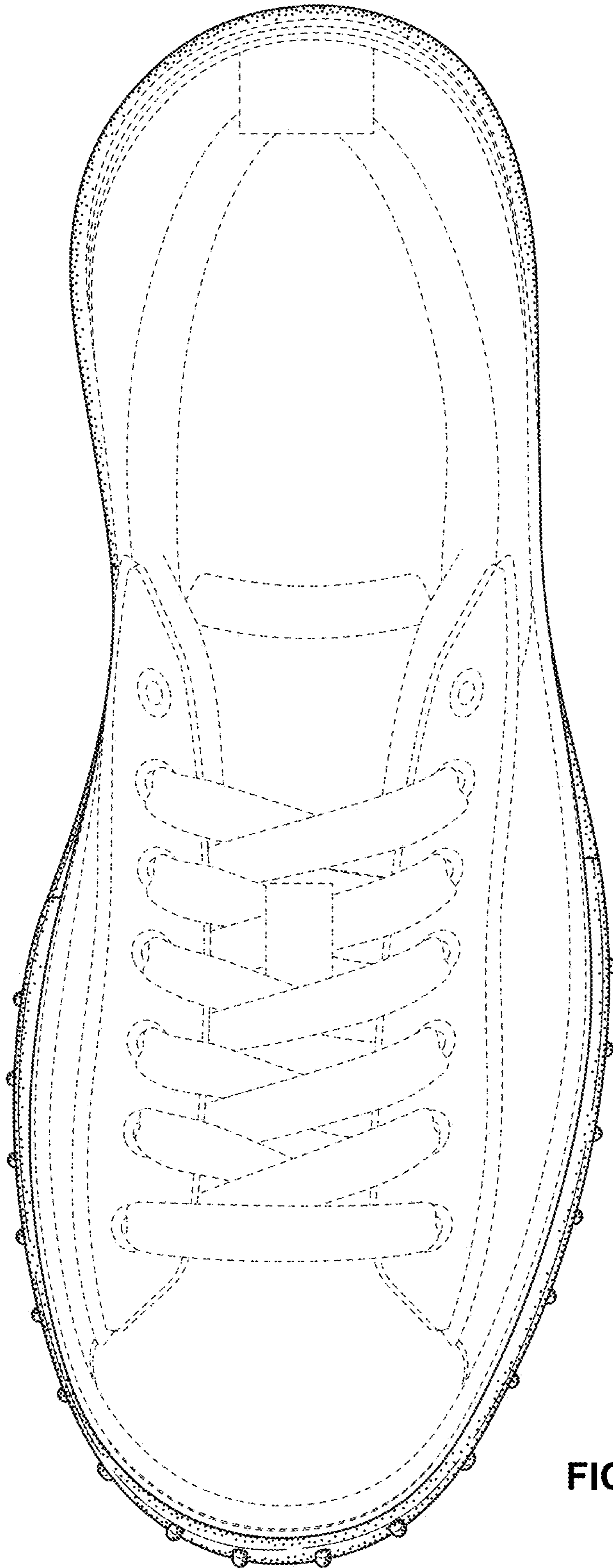


FIG. 6

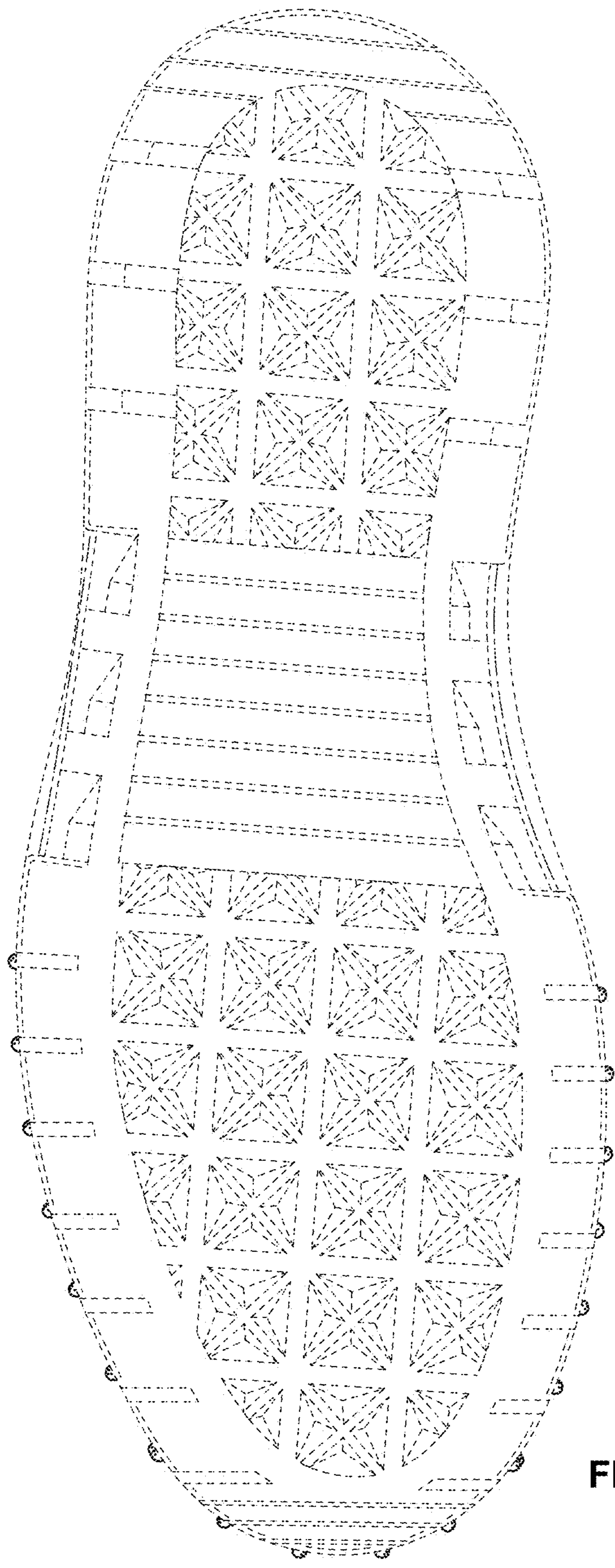


FIG. 7