



US00D943240S

(12) **United States Design Patent** (10) **Patent No.:** **US D943,240 S**  
**Farmer** (45) **Date of Patent:** **\*\* Feb. 15, 2022**

(54) **SWADDLING BLANKET**  
(71) Applicant: **Mary Farmer**, Hephzibah, GA (US)  
(72) Inventor: **Mary Farmer**, Hephzibah, GA (US)  
(\*\*) Term: **15 Years**  
(21) Appl. No.: **29/723,674**  
(22) Filed: **Feb. 10, 2020**  
(51) **LOC (13) Cl.** ..... **02-01**  
(52) **U.S. Cl.**  
USPC ..... **D2/719**  
(58) **Field of Classification Search**  
USPC ..... D2/719, 720, 718, 728, 744, 745, 823,  
D2/824, 829, 847; D6/603, 608  
CPC ..... A41B 13/06; A41B 13/065; A41B 13/00;  
A41B 13/005  
See application file for complete search history.

D715,518 S \* 10/2014 Daugherty ..... D2/719  
D728,198 S \* 5/2015 Barski ..... D2/719  
D728,199 S \* 5/2015 Barski ..... D2/719  
D741,568 S \* 10/2015 Daugherty ..... D2/719  
D751,270 S \* 3/2016 White ..... D2/719  
D790,803 S \* 7/2017 Paperno ..... D2/719  
D801,629 S \* 11/2017 Cook ..... D2/719  
D807,614 S \* 1/2018 Hooker ..... D2/719  
D821,057 S \* 6/2018 Coates ..... D2/719  
D822,947 S \* 7/2018 Kroening ..... D2/719  
D833,110 S \* 11/2018 Hettich ..... D2/719  
D851,361 S \* 6/2019 Barski ..... D2/719  
2019/0254355 A1\* 8/2019 Griffin ..... A41D 27/20

\* cited by examiner

*Primary Examiner* — Michelle E. Wilson  
*Assistant Examiner* — Clese Moore, Jr.  
(74) *Attorney, Agent, or Firm* — The Iwashko Law Firm, PLLC; Lev Ivan Gabriel Iwashko

(57) **CLAIM**

The ornamental design for a swaddling blanket, as shown and described.

(56) **References Cited**

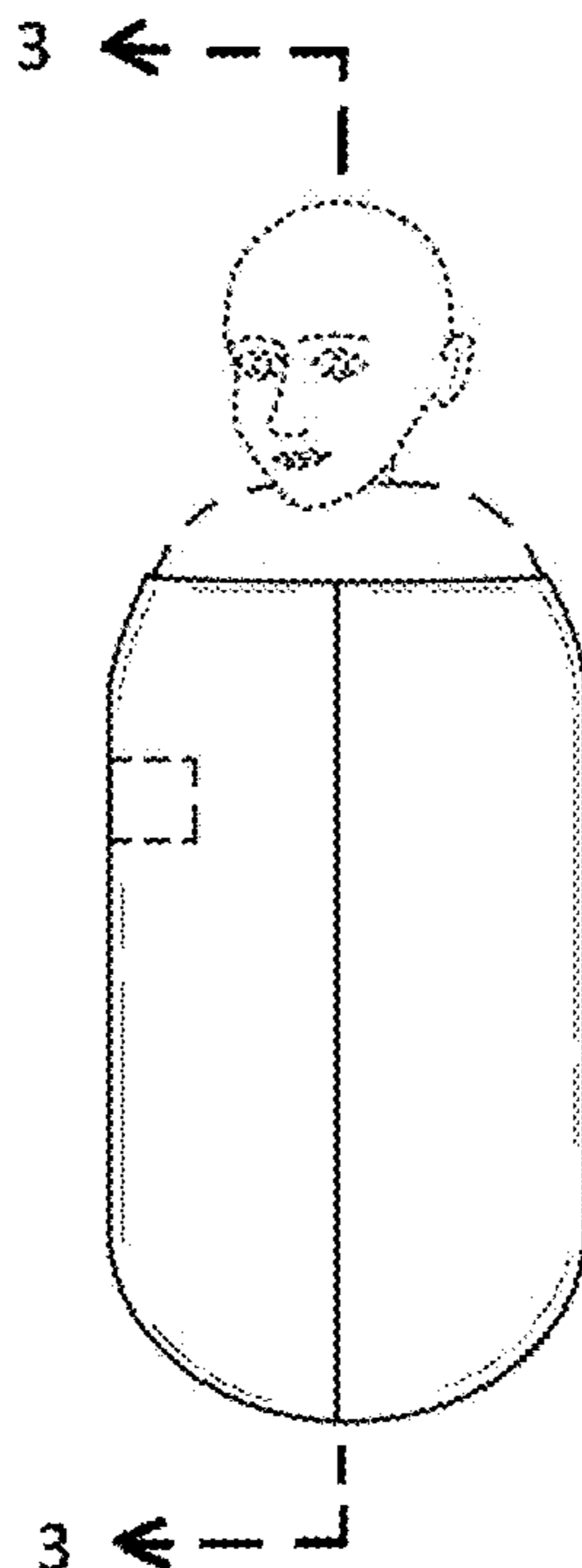
U.S. PATENT DOCUMENTS

D448,142 S \* 9/2001 Callan ..... D2/719  
D504,753 S \* 5/2005 Gold ..... D2/719  
D513,357 S \* 1/2006 Allard ..... D2/718  
D518,942 S \* 4/2006 Dandrea ..... D2/719  
D539,585 S \* 4/2007 VanGelder ..... D6/603  
D603,137 S \* 11/2009 Nilsson ..... D2/719  
D613,106 S \* 4/2010 Ward ..... D6/603  
D641,540 S \* 7/2011 Nilsson ..... D2/719  
D644,413 S \* 9/2011 Keall ..... D2/719  
8,539,620 B1 \* 9/2013 Wynh ..... A41B 13/06  
5/494  
D690,904 S \* 10/2013 Coates ..... D2/719  
D691,781 S \* 10/2013 Coates ..... D2/719  
D715,027 S \* 10/2014 Daugherty ..... D2/719

**DESCRIPTION**

FIG. 1 is a top view of a swaddling blanket as disposed on a baby in a closed position;  
FIG. 2 is a side view thereof; and,  
FIG. 3 is a cross-sectional side view of the swaddling blanket taken along 3-3 of FIG. 1.  
The dash-dash broken lines shown illustrate portions of the swaddling blanket that form no part of the claimed design. The dotted broken lines of the baby shown in the drawing views of FIGS. 1 and 2, illustrates environment that form no part of the claimed design.

**1 Claim, 3 Drawing Sheets**



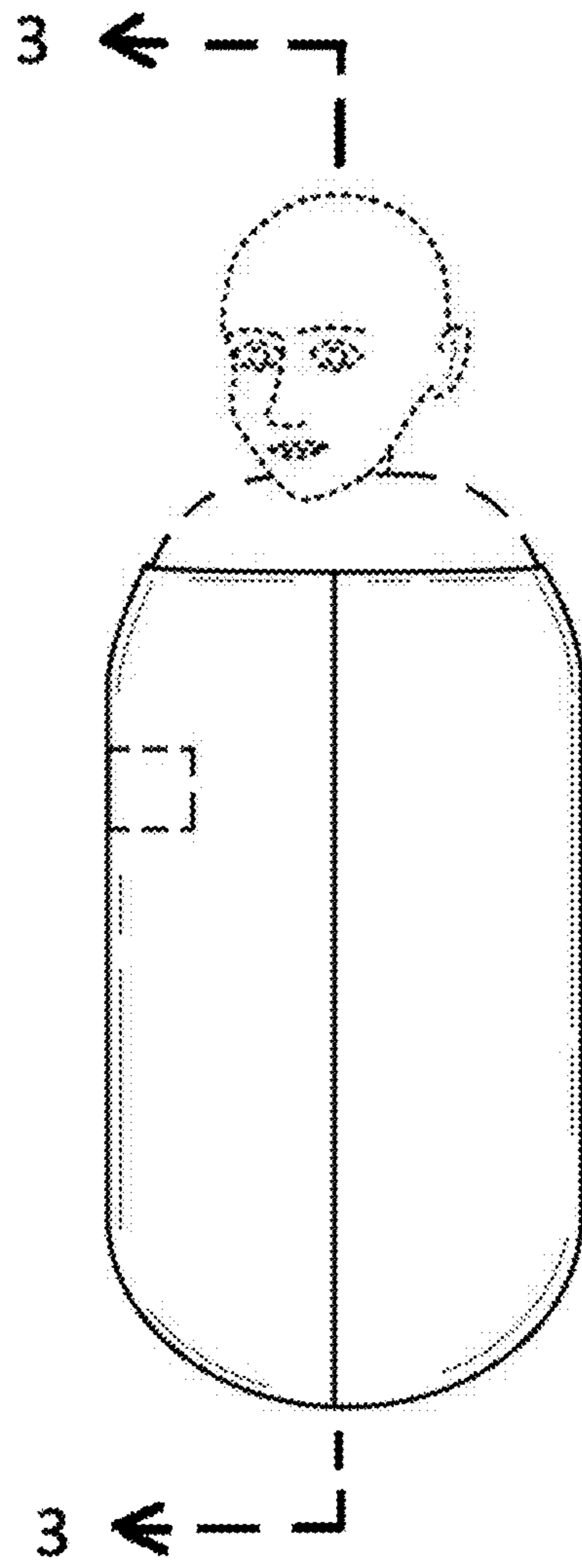


FIG. 1

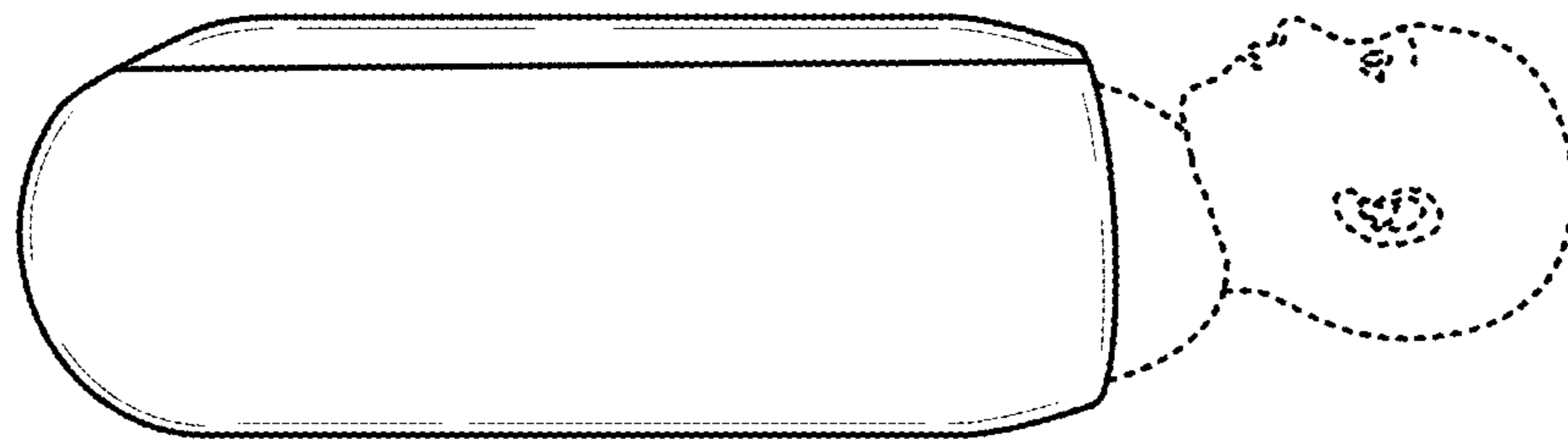


FIG. 2

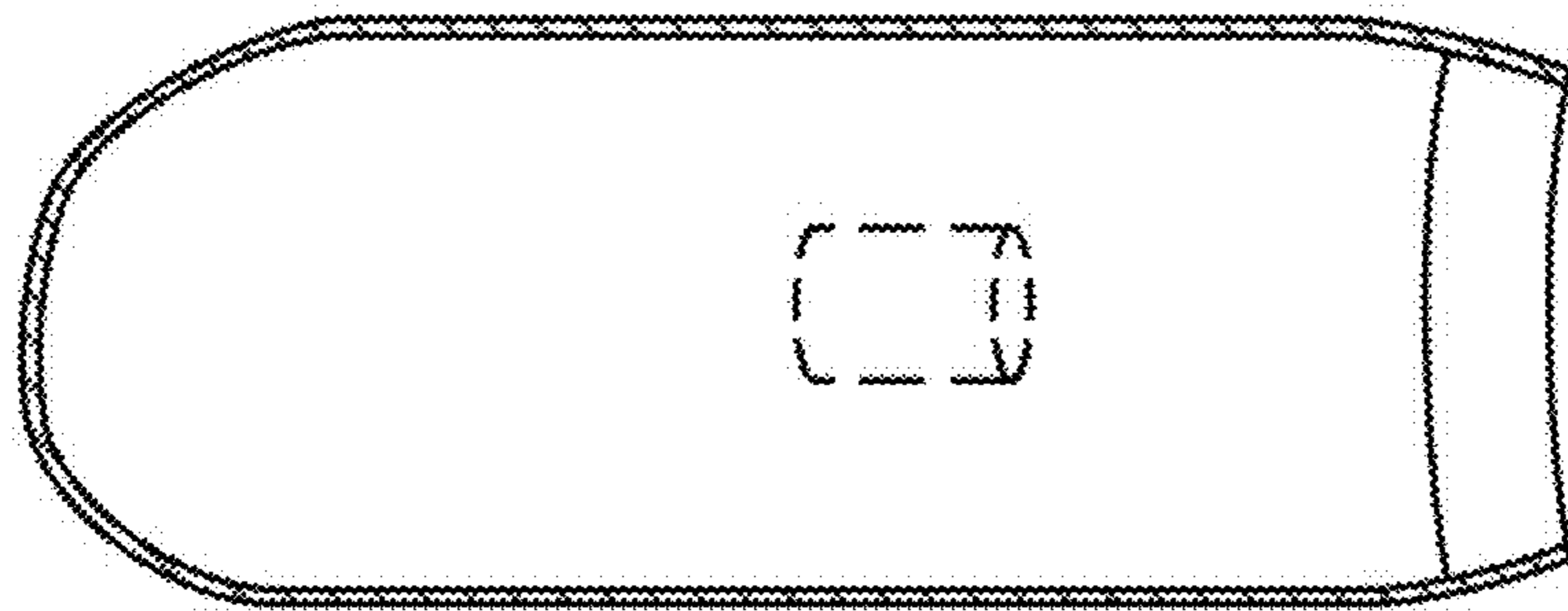


FIG. 3