



US00D943235S

(12) **United States Design Patent**  
**LeBlanc**

(10) **Patent No.:** **US D943,235 S**

(45) **Date of Patent:** **\*\* Feb. 8, 2022**

- (54) **GOLF BALL CREMATION URN**
- (71) Applicant: **Andrea Bogard LeBlanc**, Sarasota, FL (US)
- (72) Inventor: **Andrea Bogard LeBlanc**, Sarasota, FL (US)
- (73) Assignee: **Bogati Urn Company**, Sarasota, FL (US)
- (\*\*) Term: **15 Years**
- (21) Appl. No.: **29/741,413**
- (22) Filed: **Jul. 13, 2020**
- (51) **LOC (13) Cl.** ..... **99-00**
- (52) **U.S. Cl.**  
USPC ..... **D99/5**
- (58) **Field of Classification Search**  
USPC ..... D99/5; 27/1, 35; D11/157; D7/901, D7/668, 606, 227; D19/135, 93; D6/303, 674; D21/709, 713, 406; D14/189; 52/103; 40/124.5; 211/85.27; 220/504, 524, 532, 507; 473/379, 382, 473/384; D9/503, 519, 668  
CPC ..... A61G 17/08; A61G 17/00; G09F 19/00  
See application file for complete search history.

- 2,643,815 A \* 6/1953 Komeo ..... B65D 5/06 229/113
- 2,840,842 A \* 7/1958 Kaheny ..... G09F 23/00 15/104.94
- 2,980,304 A \* 4/1961 Sisco ..... B65D 5/72 222/566
- D213,777 S \* 4/1969 Chandler ..... D99/5
- 3,624,939 A \* 12/1971 Gossard ..... A47G 1/12 40/721
- 4,141,559 A \* 2/1979 Melvin ..... A63B 37/0083 473/372
- D272,605 S \* 2/1984 Pelletier ..... D9/431
- 4,560,168 A \* 12/1985 Aoyama ..... A63B 37/0006 473/379
- 4,653,758 A \* 3/1987 Solheim ..... A63B 37/0003 264/239

(Continued)

*Primary Examiner* — Paula Allen Greene

(74) *Attorney, Agent, or Firm* — Ashkan Najafi

(57) **CLAIM**

The ornamental design for a golf ball cremation urn, as shown and described.

**DESCRIPTION**

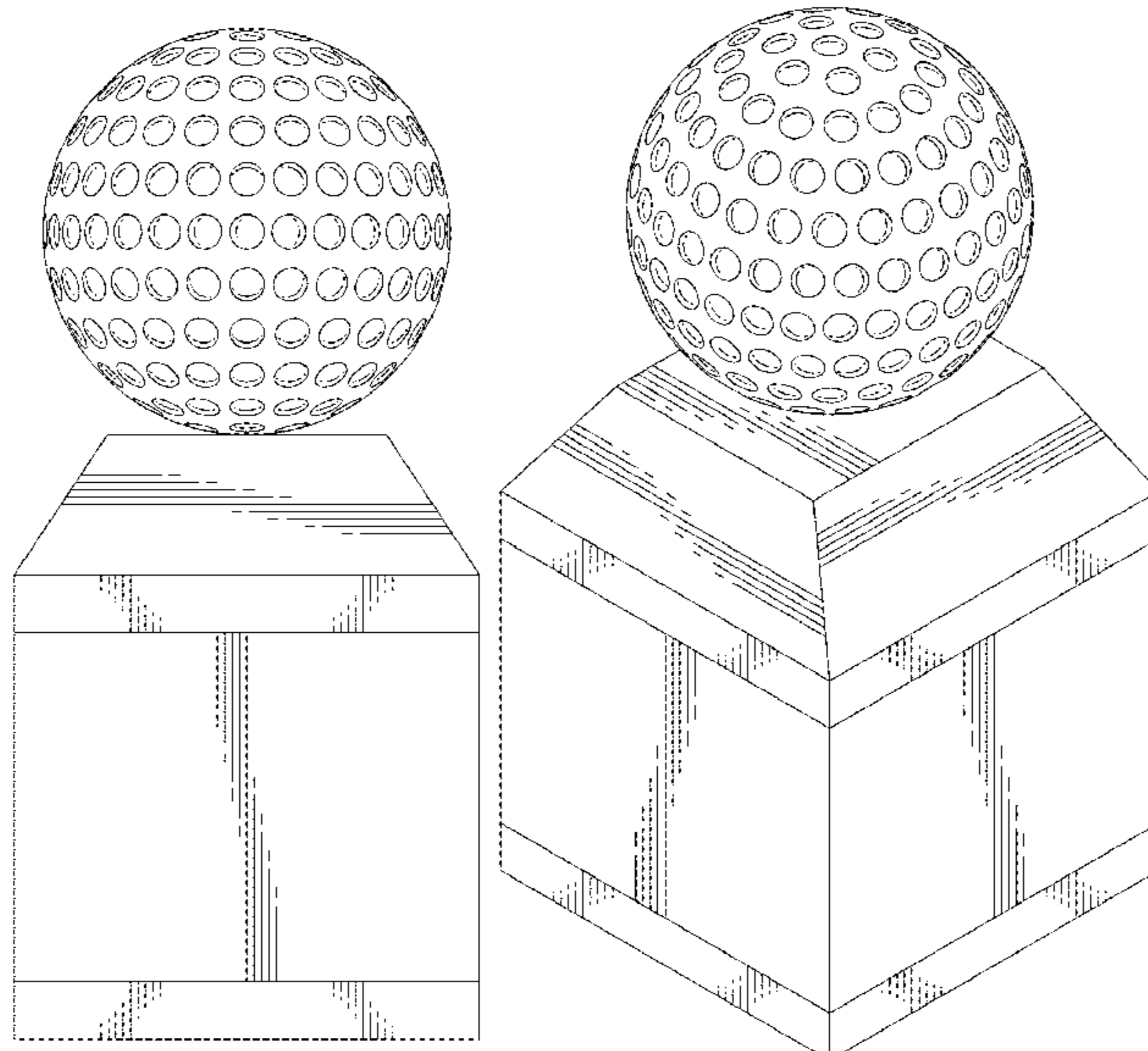
FIG. 1 is a front elevational view of a golf ball cremation urn showing my new design;  
 FIG. 2 is a right-side elevational view thereof;  
 FIG. 3 is a left-side elevational view thereof;  
 FIG. 4 is a top plan view thereof;  
 FIG. 5 is a front-left perspective view thereof;  
 FIG. 6 is a front-right perspective view thereof;  
 FIG. 7 is a rear elevational view thereof;  
 FIG. 8 is a bottom plan view thereof;  
 FIG. 9 is a bottom-right perspective view thereof; and,  
 FIG. 10 is a bottom-left perspective view thereof.  
 The broken lines immediately adjacent the shaded areas represent the bounds of the claimed design while all other broken lines are directed to environment; the broken lines form no part of the claimed design.

**1 Claim, 10 Drawing Sheets**

(56) **References Cited**

U.S. PATENT DOCUMENTS

- 1,100,448 A \* 6/1914 Selz ..... 229/125.17
- 1,182,605 A \* 5/1916 Wadsworth ..... A63B 37/0097 473/369
- D121,995 S \* 8/1940 May ..... D9/432
- D136,501 S \* 10/1943 Habit ..... D9/503
- 2,345,646 A \* 4/1944 Williamson ..... B65D 5/068 229/113
- D147,371 S \* 8/1947 McNatton ..... D99/24
- 2,523,779 A \* 9/1950 Relyea ..... H01J 41/04 313/359.1



(56)

References Cited

U.S. PATENT DOCUMENTS

4,915,389 A \* 4/1990 Ihara ..... A63B 37/0004  
 473/379  
 5,190,294 A \* 3/1993 Oka ..... A63B 37/0004  
 264/293  
 5,287,603 A \* 2/1994 Schorman ..... A61G 17/0136  
 27/1  
 D345,507 S \* 3/1994 Granai ..... D9/424  
 D350,630 S \* 9/1994 Smith ..... D32/1  
 D358,324 S \* 5/1995 Mitchell ..... D21/709  
 D392,916 S \* 3/1998 Sutton ..... D11/157  
 D393,016 S \* 3/1998 Young ..... D21/398  
 D398,679 S \* 9/1998 Aoyama ..... D21/709  
 5,827,135 A \* 10/1998 Shimosaka ..... A63B 37/002  
 473/379  
 D406,234 S \* 3/1999 Metter ..... D9/432  
 D419,388 S \* 1/2000 Hansen ..... D7/606  
 D421,672 S \* 3/2000 Thesken ..... D99/5  
 D422,646 S \* 4/2000 Palardis ..... D21/406  
 D425,706 S \* 5/2000 Calderone ..... D3/200

D459,749 S \* 7/2002 Cohen ..... D17/22  
 D465,733 S \* 11/2002 Hill ..... D9/519  
 D484,204 S \* 12/2003 Kasashima ..... D21/709  
 D531,043 S \* 10/2006 Houtart ..... D9/560  
 D582,281 S \* 12/2008 Zanaletti ..... D9/516  
 D636,555 S \* 4/2011 Eck ..... D99/5  
 D639,702 S \* 6/2011 Jean-Denis ..... D11/131  
 D655,065 S \* 2/2012 Eck ..... D99/5  
 D675,955 S \* 2/2013 De Togni ..... D11/131  
 D718,515 S \* 11/2014 Jaxheimer ..... D99/5  
 D730,014 S \* 5/2015 Bell ..... D99/5  
 D785,976 S \* 5/2017 Hagerty ..... D6/674  
 D792,535 S \* 7/2017 Hughes ..... D21/709  
 D796,327 S \* 9/2017 Walbroel ..... D9/503  
 D798,973 S \* 10/2017 Hughes ..... D21/709  
 D821,885 S \* 7/2018 Paulin ..... D9/668  
 D836,879 S \* 12/2018 Singh ..... D99/17  
 D893,346 S \* 8/2020 McCracken ..... D11/157  
 D915,023 S \* 3/2021 Sengupta ..... D99/5  
 D923,726 S \* 6/2021 Moon ..... D21/709  
 2005/0125973 A1 \* 6/2005 Hankel ..... A61G 17/007  
 27/1

\* cited by examiner

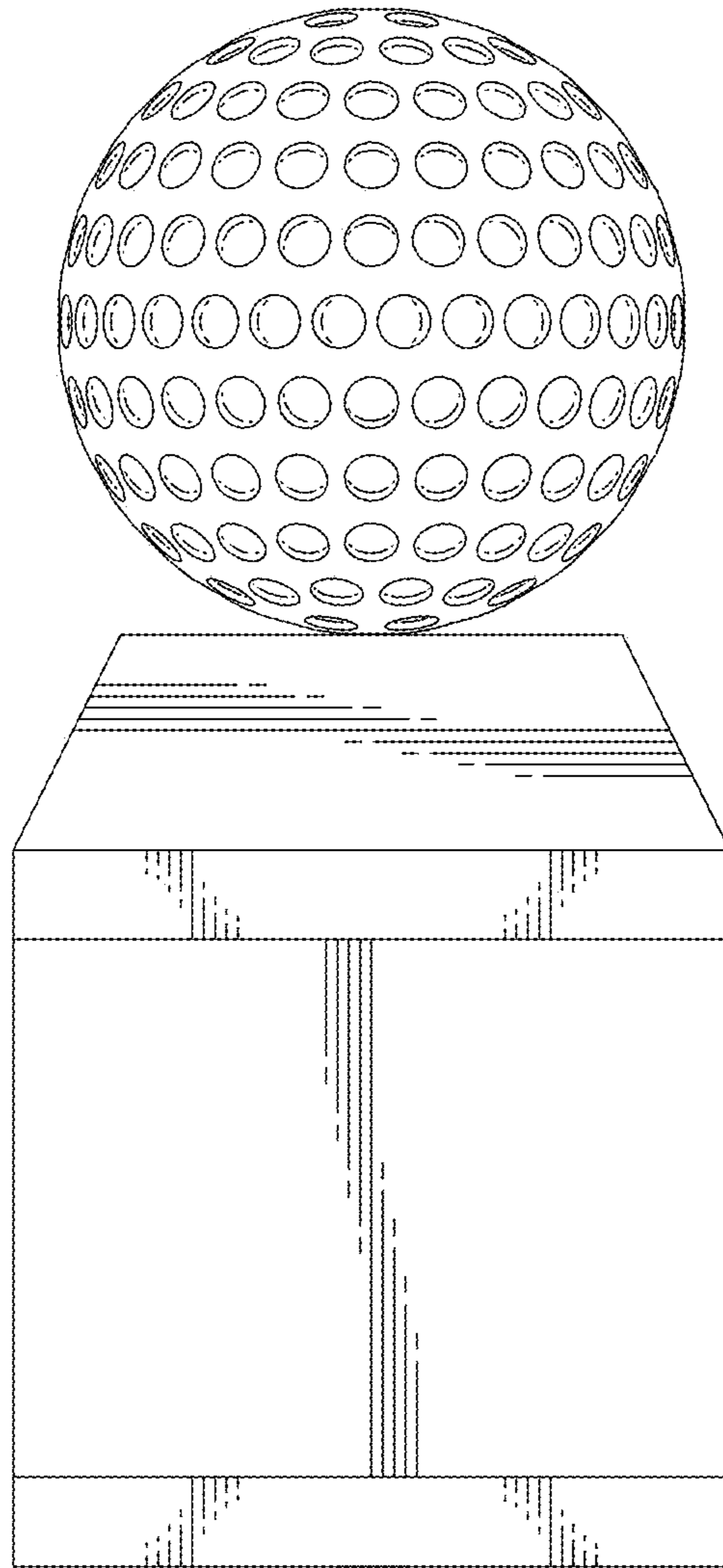


FIG 1

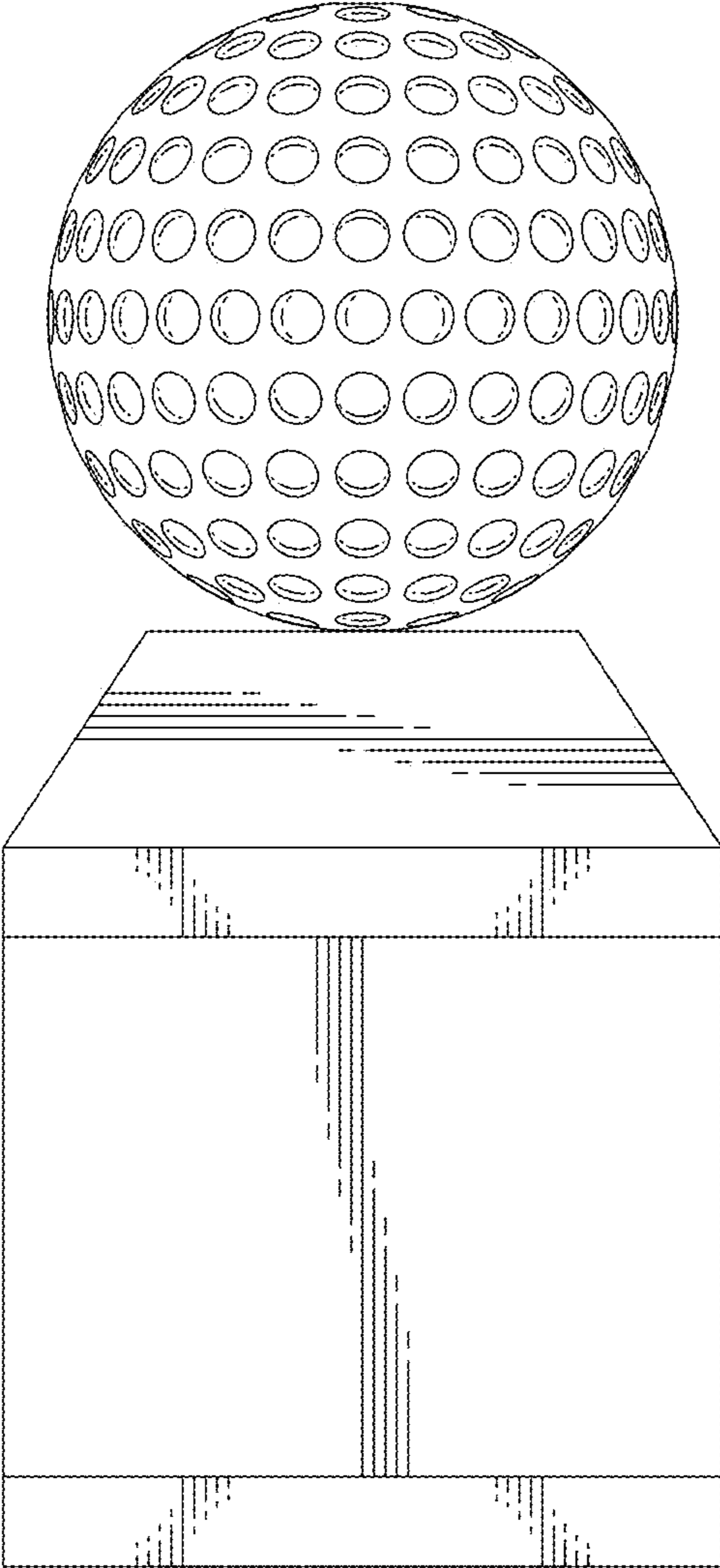


FIG 2



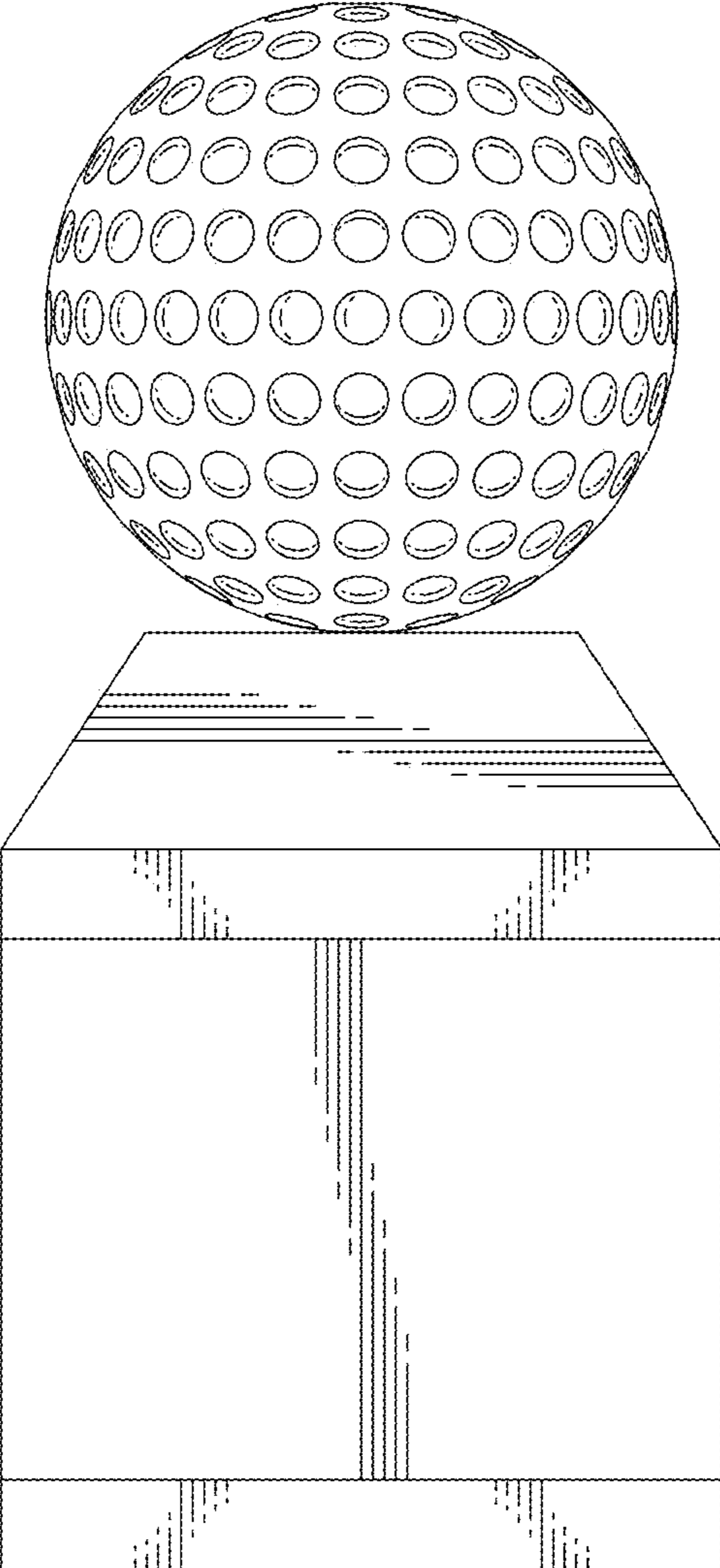


FIG 3

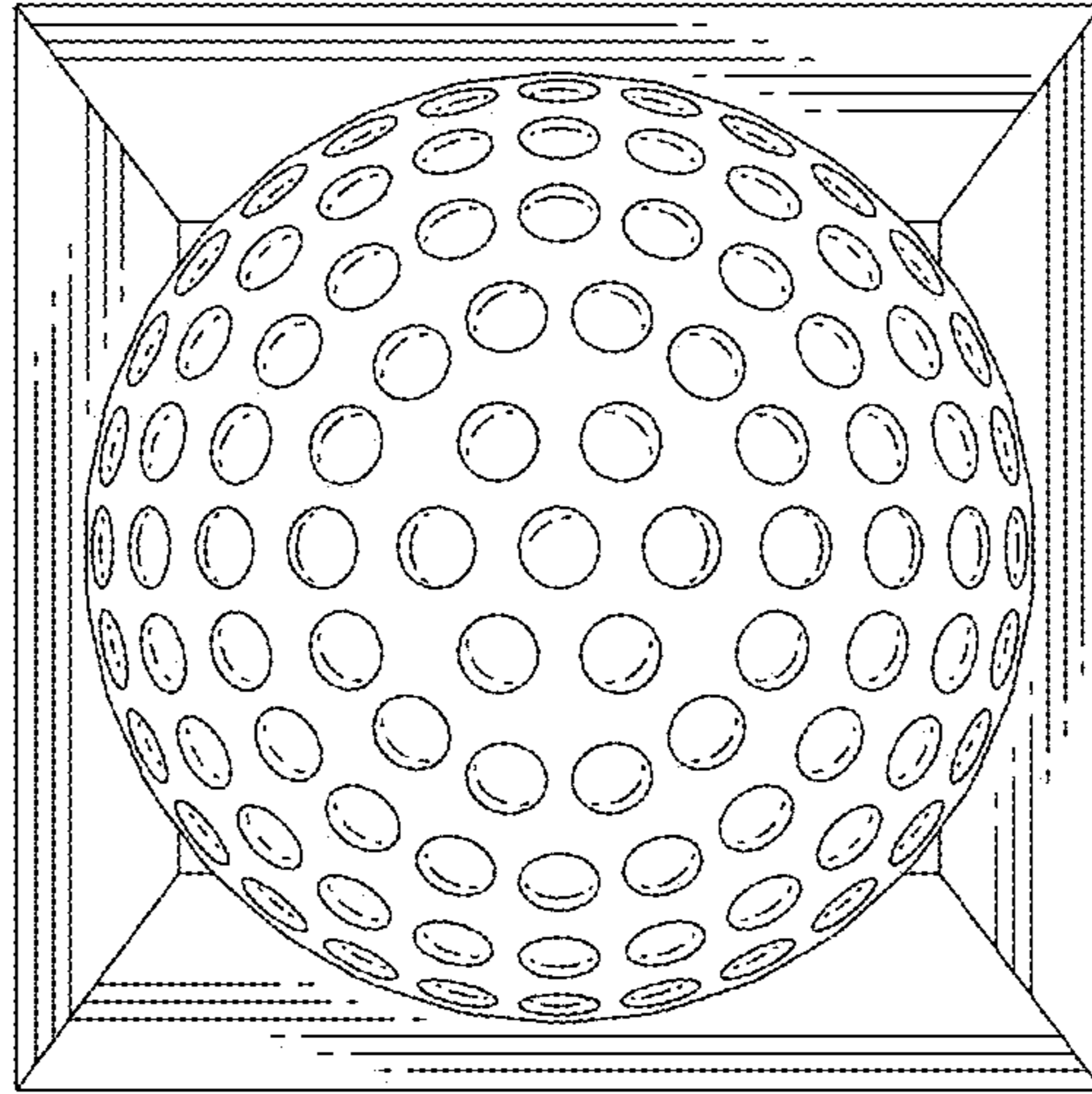


FIG 4

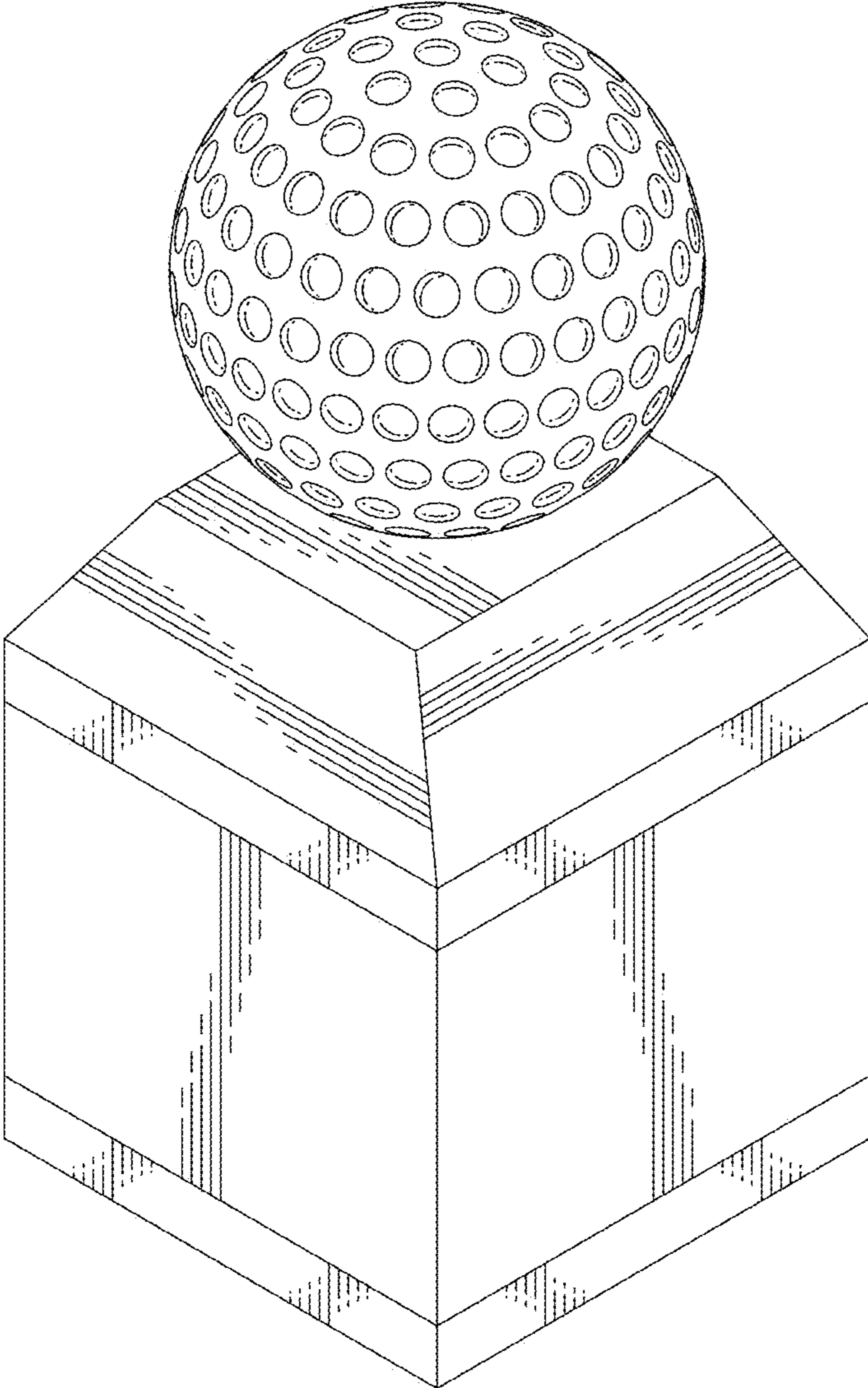


FIG 5

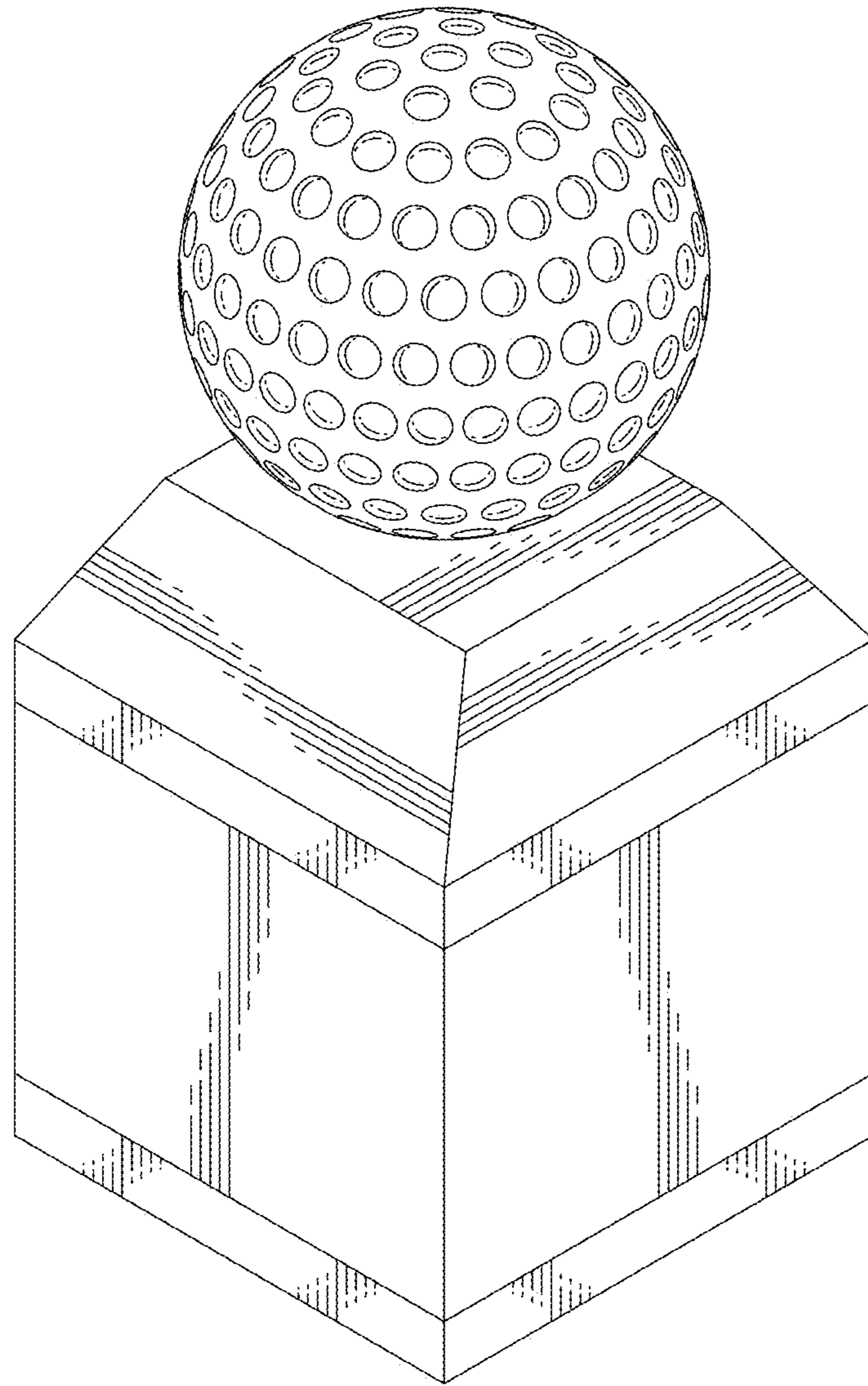


FIG 6



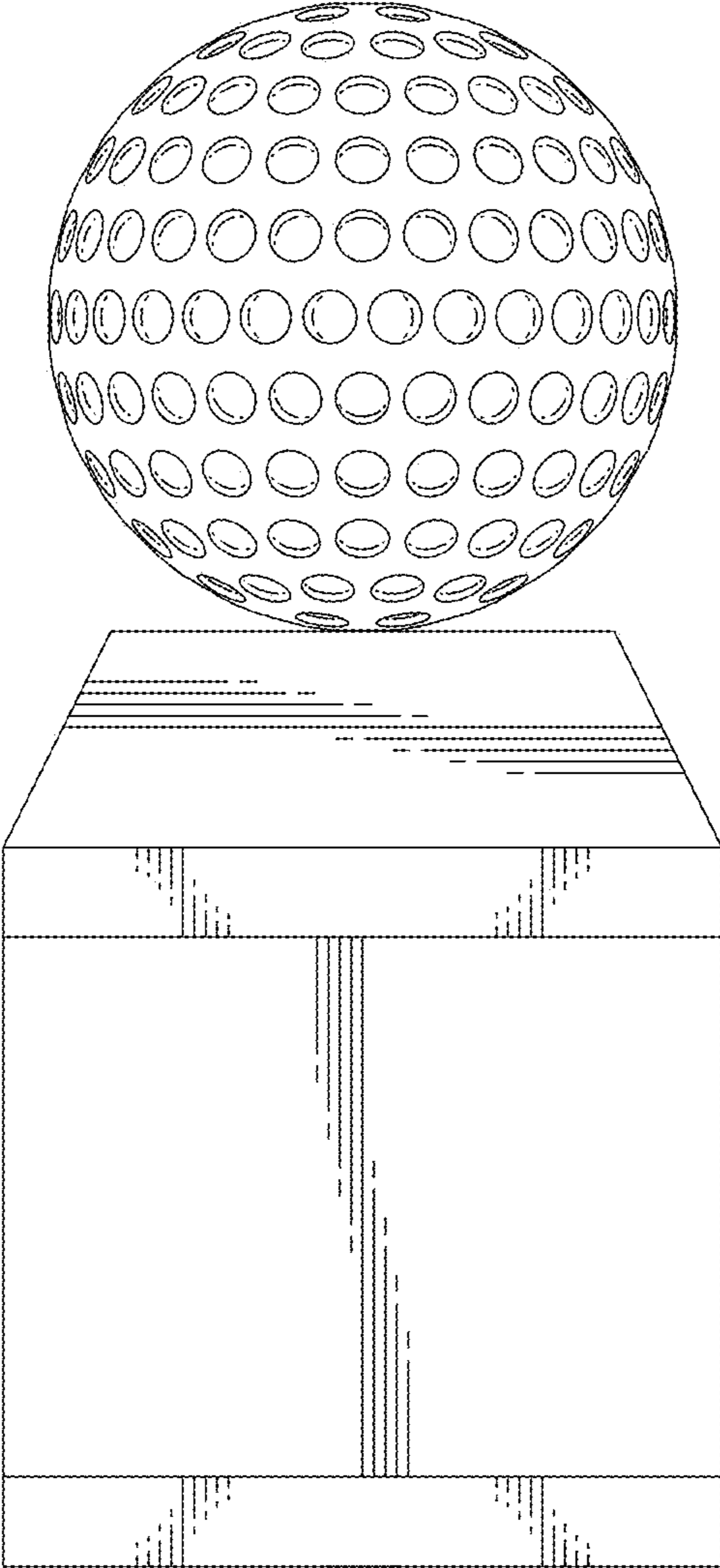


FIG 7

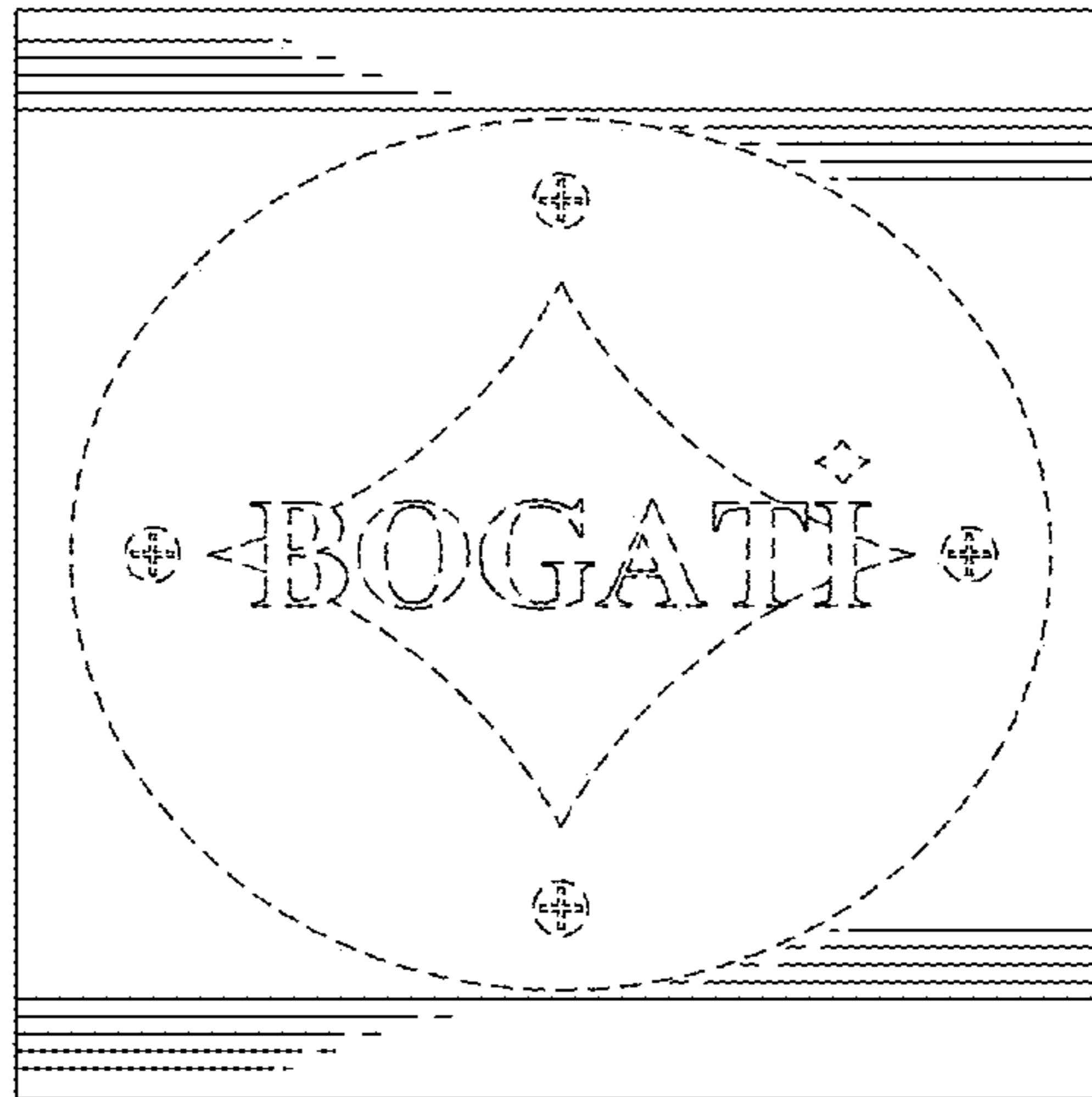


FIG 8

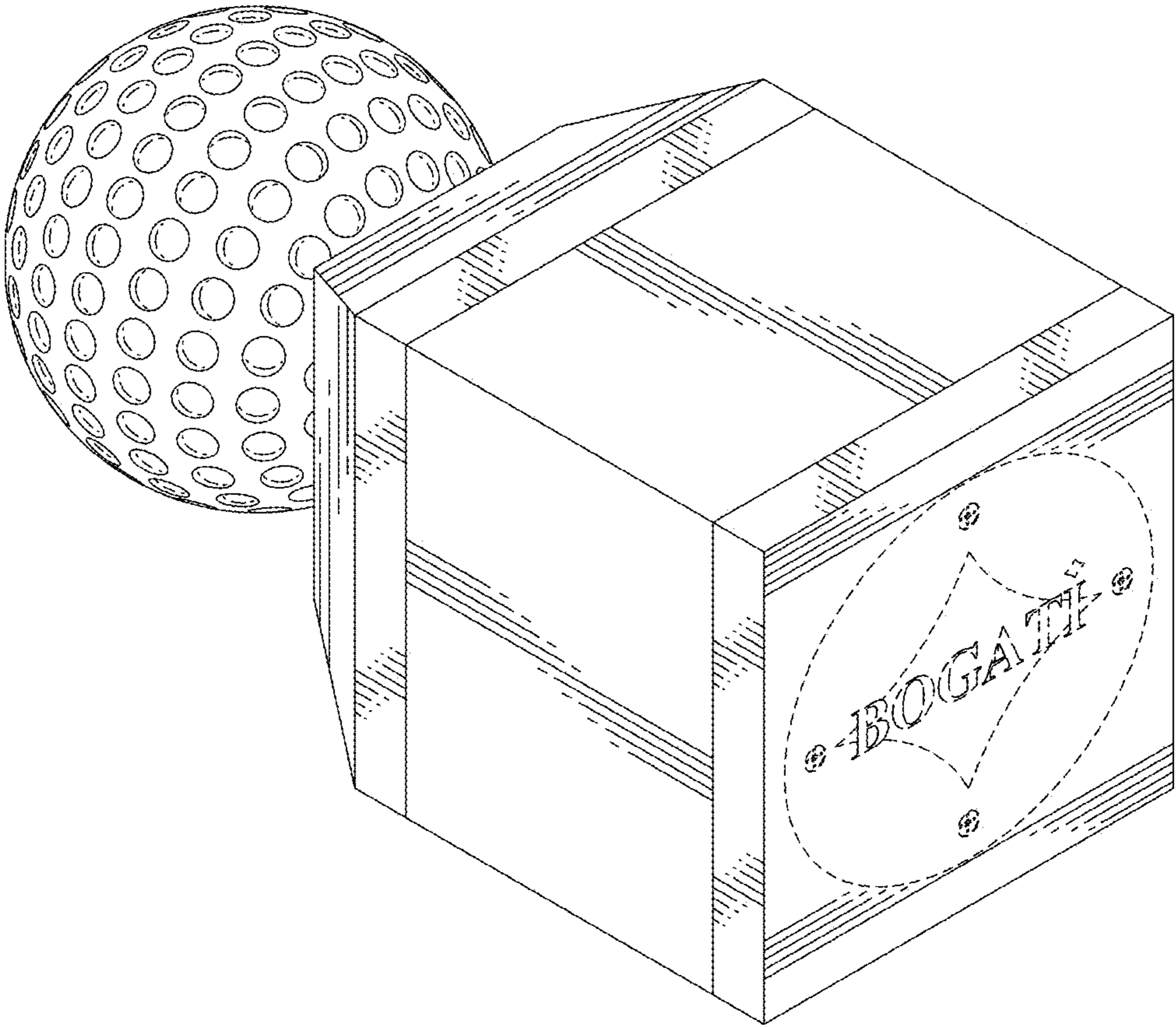


FIG 9

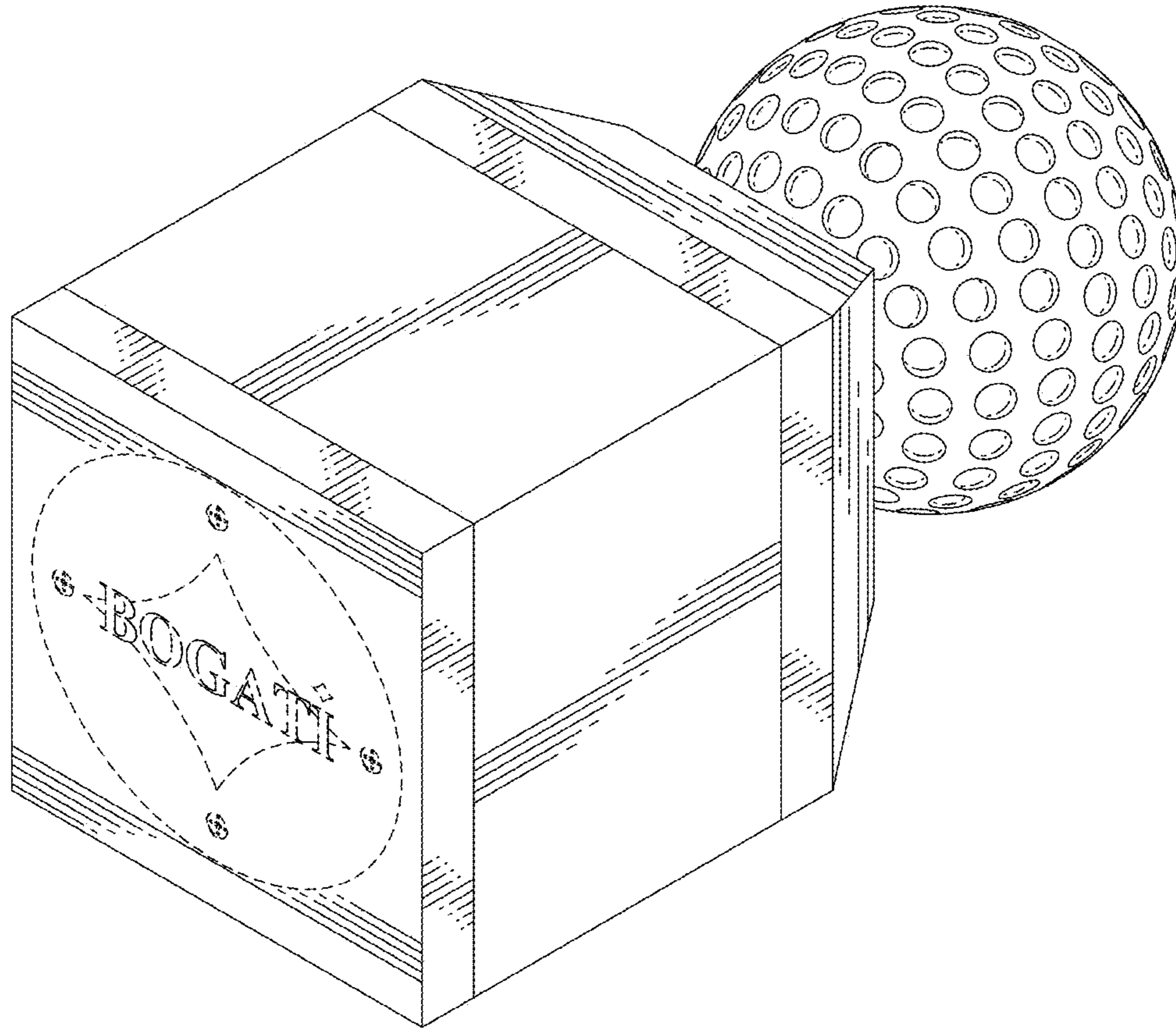


FIG 10