

US00D943233S

(12) **United States Design Patent**
Lekkas

(10) **Patent No.:** **US D943,233 S**
(45) **Date of Patent:** **** Feb. 8, 2022**

- (54) **WINCH**
- (71) Applicant: **Dalex Products Pty Ltd**, North Adelaide (AU)
- (72) Inventor: **Athan Lekkas**, North Adelaide (AU)
- (73) Assignee: **DALEXT PRODUCTS PTY LTD**
- (**) Term: **15 Years**
- (21) Appl. No.: **29/723,650**
- (22) Filed: **Feb. 10, 2020**
- (51) **LOC (13) Cl.** **12-05**
- (52) **U.S. Cl.**
USPC **D34/33**
- (58) **Field of Classification Search**
USPC D8/358, 359; D34/32, 33
CPC ... B66D 1/14; B66D 1/38; B66D 1/28; B66D 1/04; B66D 1/22; B66D 1/39; B66D 1/7405; B66D 1/00; B66D 1/08; B66D 1/26; B66D 1/36; B66D 1/505; B66D 1/7484; B65H 75/4402; B65H 2701/35
See application file for complete search history.

10,640,343	B2 *	5/2020	Christensen	B66D 1/04
D910,961	S *	2/2021	Forster	D34/33
D914,321	S *	3/2021	Goetsch	D34/33
2007/0267612	A1 *	11/2007	Dueck	B62H 3/12
					254/266
2008/0191182	A1 *	8/2008	Arzberger	B66D 1/26
					254/297
2009/0114892	A1 *	5/2009	Lesko	B66D 1/22
					254/342
2010/0133372	A1 *	6/2010	Ying	B66D 1/04
					242/395
2011/0215285	A1 *	9/2011	Akhavein	B66D 3/006
					254/344
2012/0181492	A1 *	7/2012	Matos	B66D 1/12
					254/323
2013/0187105	A1 *	7/2013	Xydias	B66D 1/30
					254/277
2014/0011627	A1 *	1/2014	Lundrigan	B66D 1/04
					475/326
2014/0084229	A1 *	3/2014	Morrison	B66D 3/20
					254/344

(Continued)

Primary Examiner — Cynthia Ramirez
(74) *Attorney, Agent, or Firm* — Sand, Sebolt & Wernow Co., LPA

(57) **CLAIM**

The ornamental design for a winch, as shown and described.

DESCRIPTION

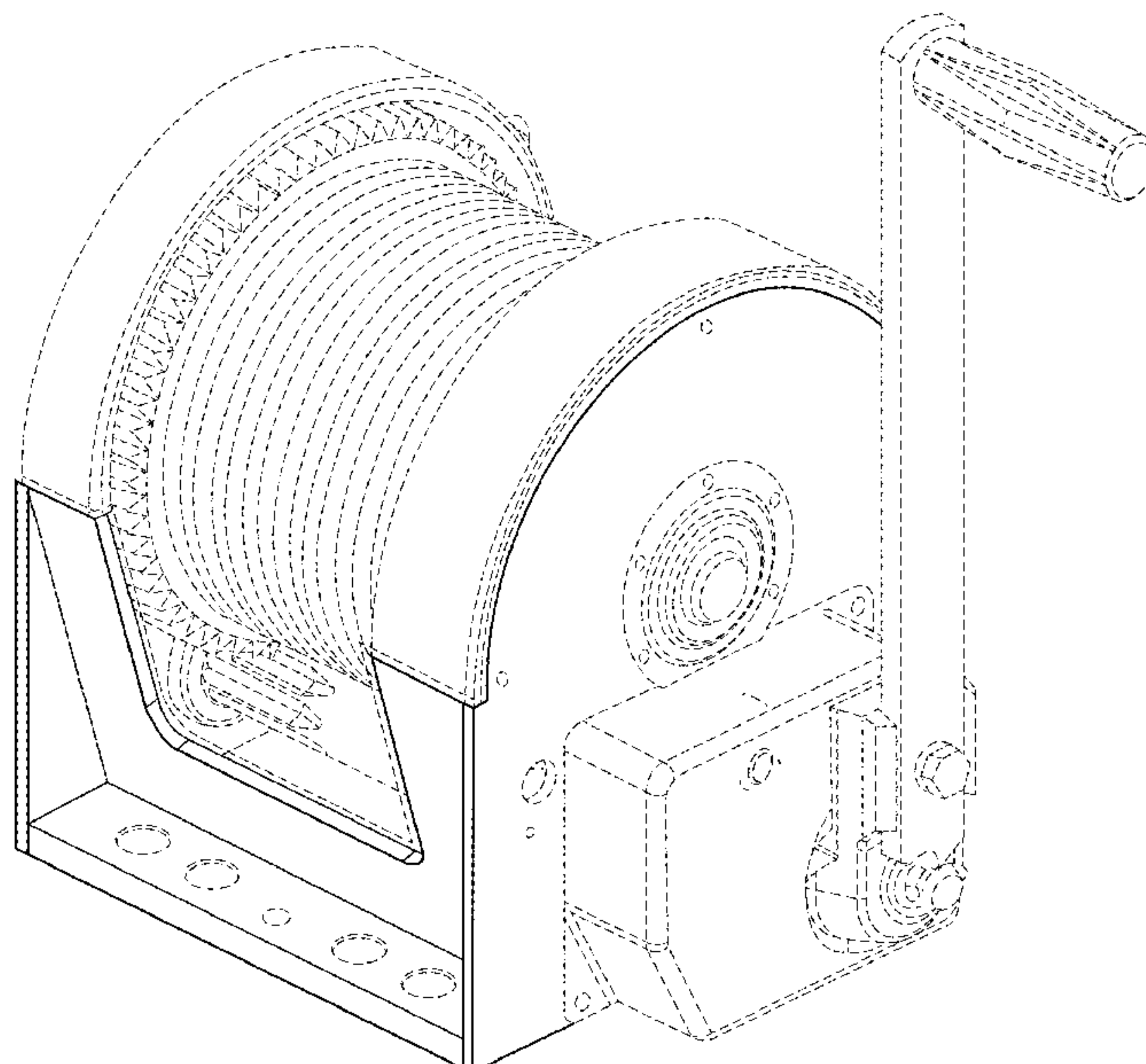
FIG. 1 is a top, rear, right side, perspective view of a winch in accordance with my design;
FIG. 2 is a top, rear, left side, perspective view thereof;
FIG. 3 is a rear elevation view thereof;
FIG. 4 is a top, front, right side, perspective view thereof;
FIG. 5 is a left side elevation view thereof; and,
FIG. 6 is a top, plan view thereof.
The broken lines illustrate portions of the winch which form no part of the claimed design.

1 Claim, 6 Drawing Sheets

(56) **References Cited**

U.S. PATENT DOCUMENTS

2,151,338	A *	3/1939	Shonnard	B66D 3/22
					192/14
4,588,167	A *	5/1986	Finzel	B66D 1/00
					254/346
5,947,450	A *	9/1999	Grapes	B66D 1/28
					254/329
D434,892	S *	12/2000	Roll	D34/33
7,159,852	B2 *	1/2007	Dow	B66D 1/04
					254/237
8,517,347	B2 *	8/2013	Forster	B66D 1/16
					254/346
D844,927	S *	4/2019	Walstrom	D34/33



(56)

References Cited

U.S. PATENT DOCUMENTS

2018/0229983 A1* 8/2018 Isherwood B66D 1/38
2019/0315608 A1* 10/2019 Dow B66D 1/04

* cited by examiner

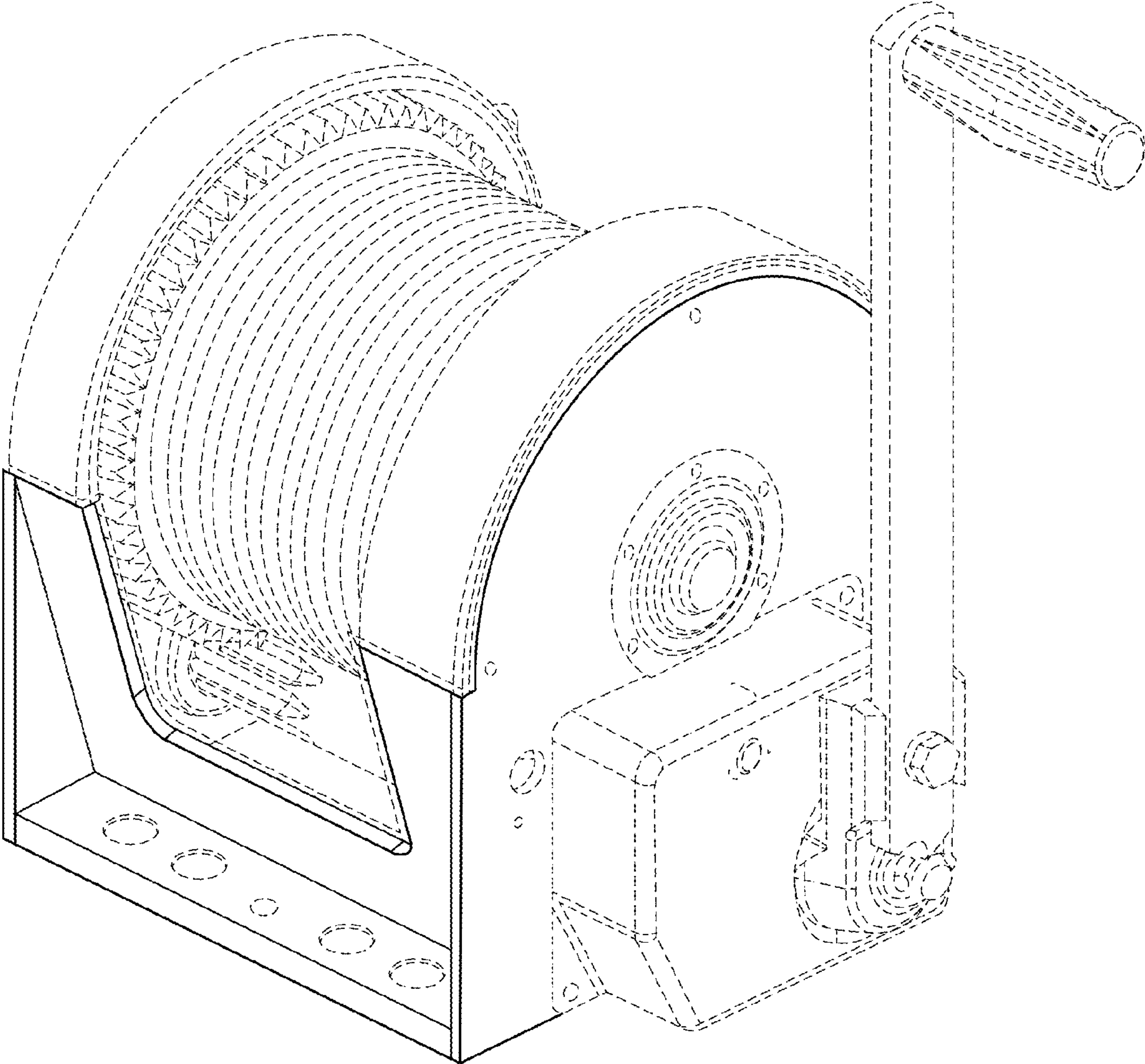


FIG. 1

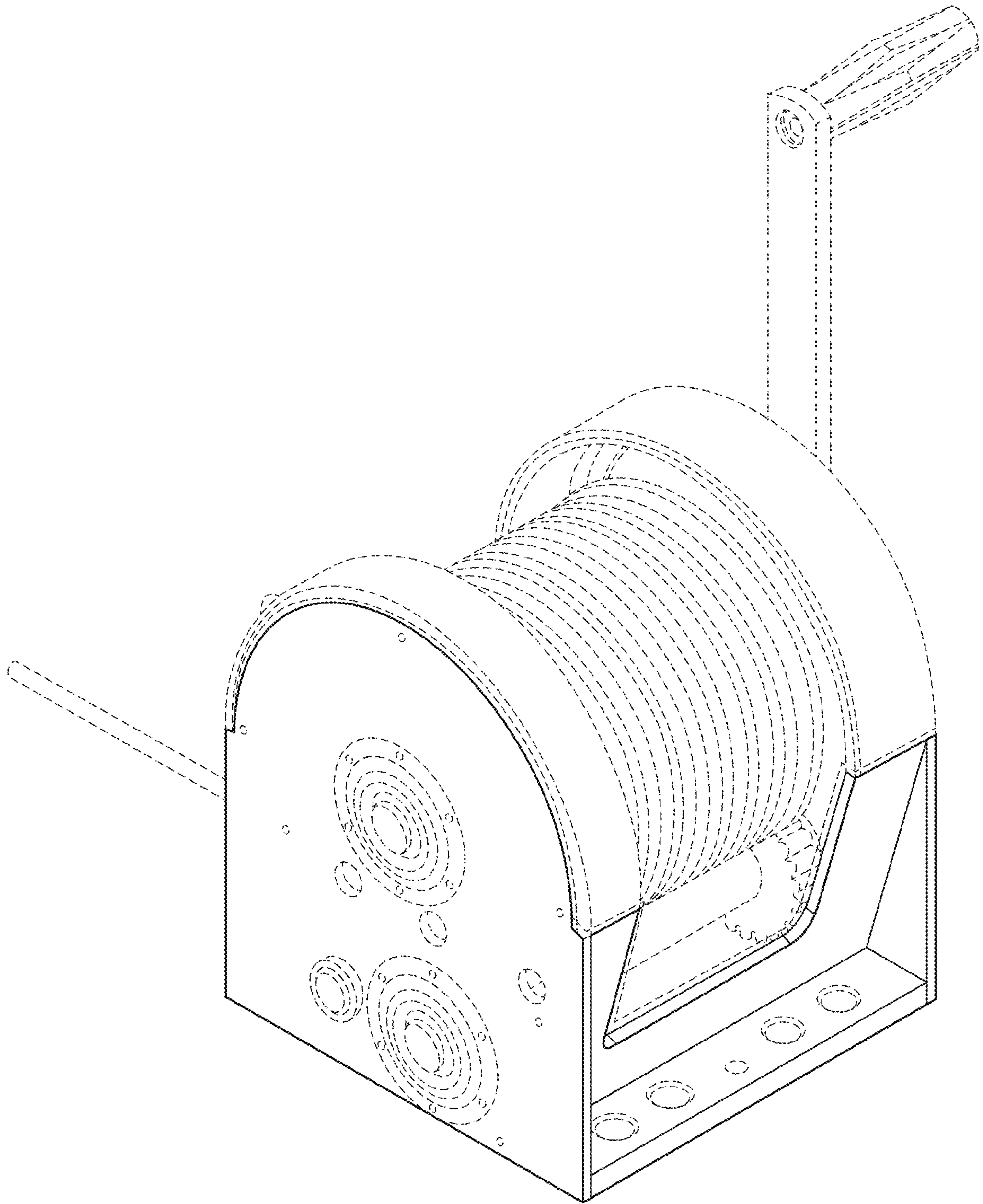


FIG.2

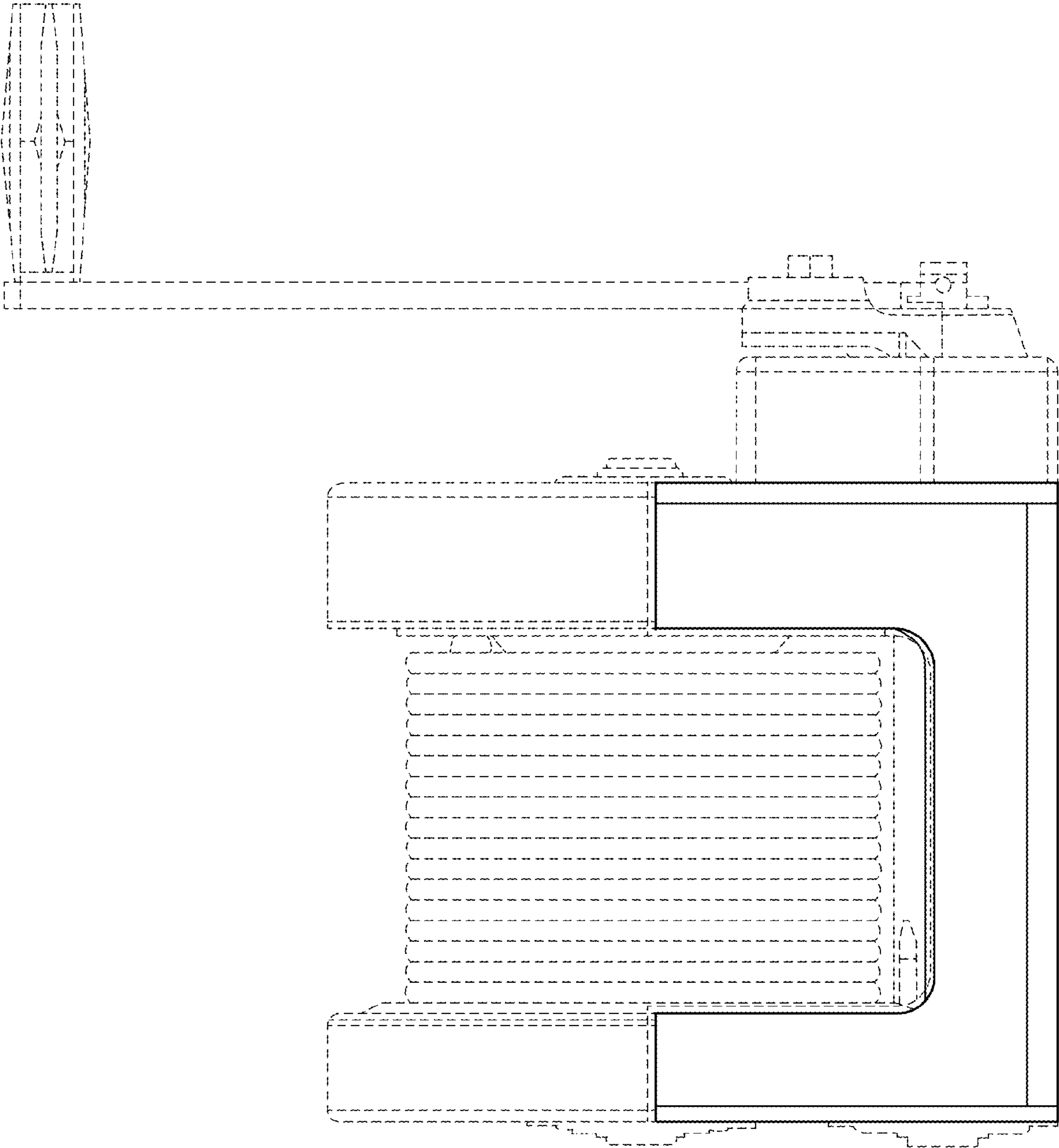


FIG. 3

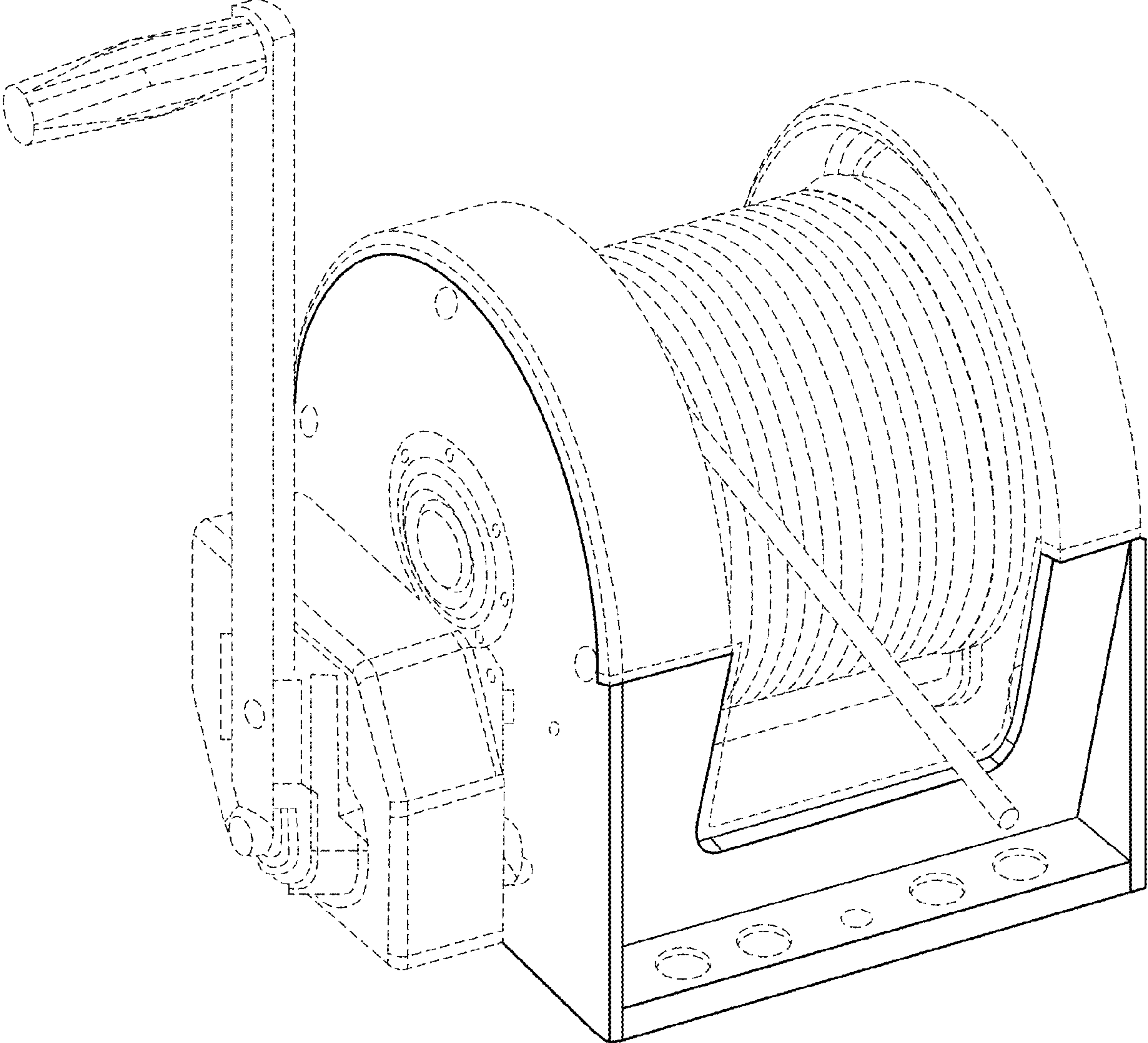


FIG.4

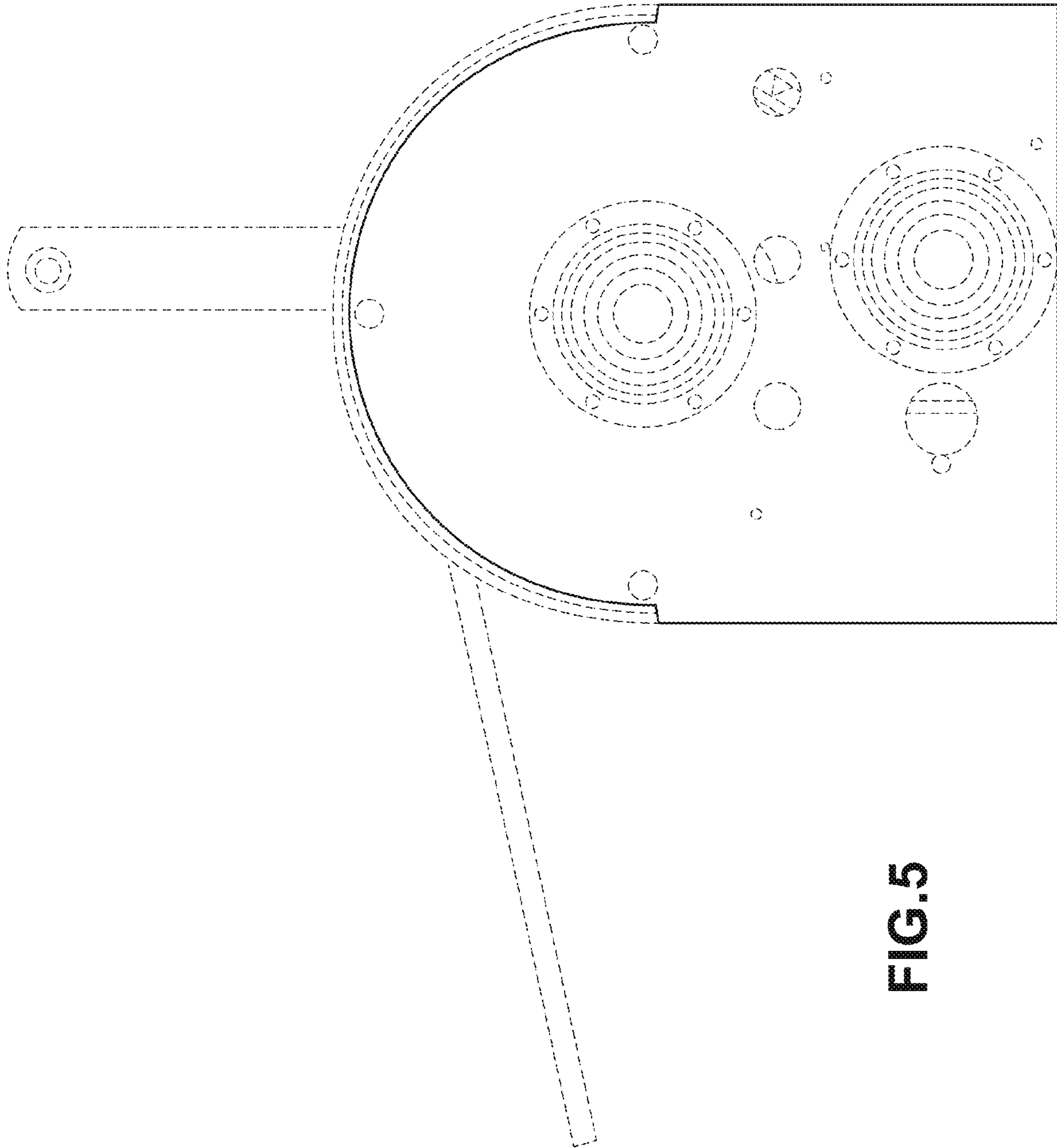


FIG. 5

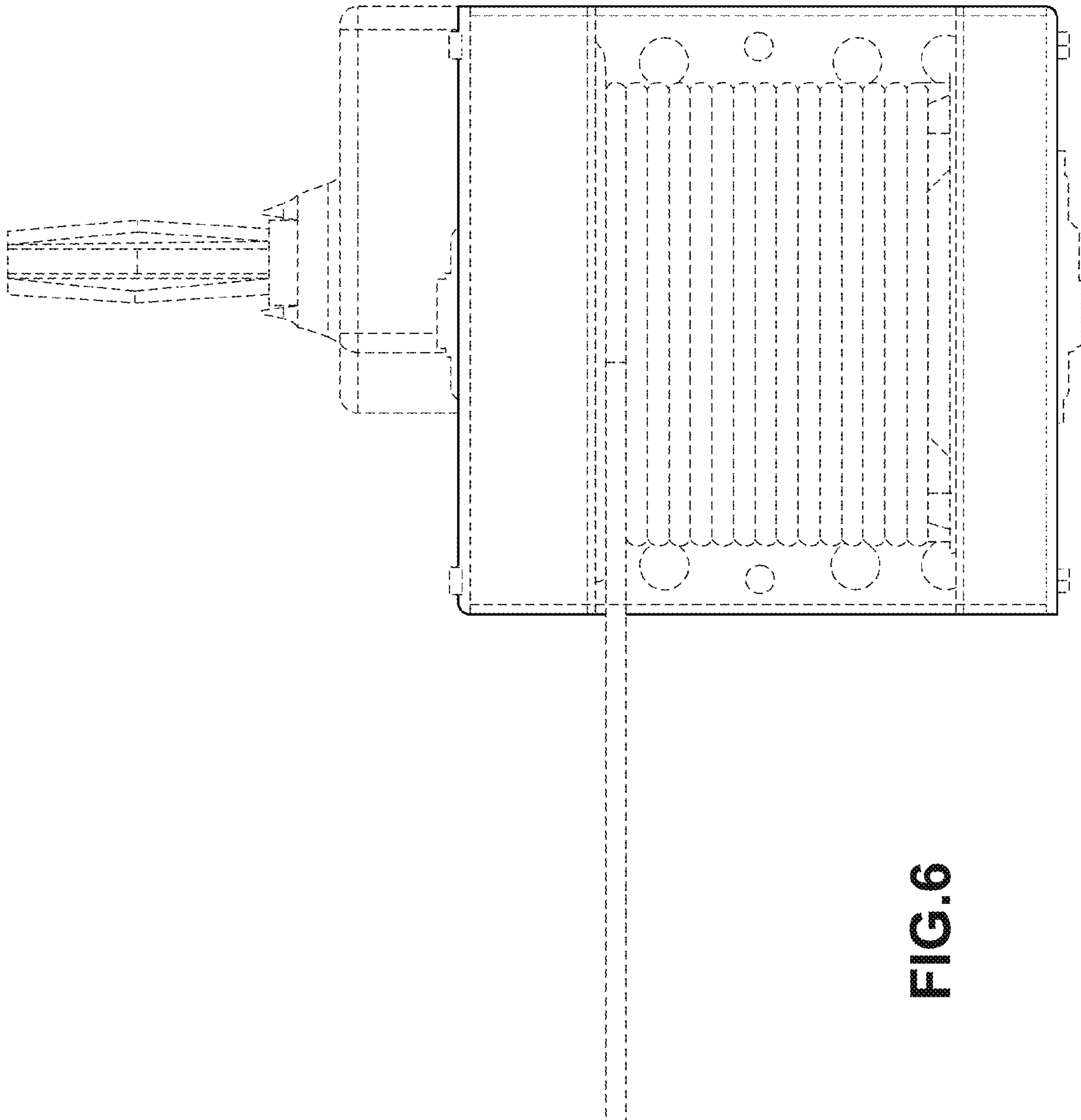


FIG. 6