



US00D943229S

(12) **United States Design Patent** (10) **Patent No.:** **US D943,229 S**
Pang (45) **Date of Patent:** **** Feb. 8, 2022**

(54) **VACUUM CLEANER**

FOREIGN PATENT DOCUMENTS

(71) Applicant: **Shenzhen Shermon Technology Co., Limited**, Shenzhen (CN)

CA 186069 * 2/2021
JP D1626155 * 3/2019
KR 300994001.0000 * 2/2019

(72) Inventor: **Kanghua Pang**, Shenzhen (CN)

OTHER PUBLICATIONS

(73) Assignee: **SHENZHEN SHERMON TECHNOLOGY CO., LIMITED**, Shenzhen (CN)

INSE Cordless Vacuum Cleaner, available in Amazon.ca, date first available Oct. 14, 2020 [online], [site visited Aug. 25, 2021], Available from the internet URL: https://www.amazon.ca/Cordless-Lightweight-Powerful-Handheld-Furniture/dp/B08L6MG6MG?ref_ast_sto_dp&th=1&psc=1 (Year: 2020).*

(**) Term: **15 Years**

(Continued)

(21) Appl. No.: **29/756,499**

(22) Filed: **Oct. 29, 2020**

Primary Examiner — Dana K Weiland
Assistant Examiner — Jennylou M Binas

(30) **Foreign Application Priority Data**

(57) **CLAIM**

Sep. 29, 2020 (CN) 202030586602.6

The ornamental design for a vacuum cleaner, as shown and described.

(51) **LOC (13) Cl.** **15-05**

DESCRIPTION

(52) **U.S. Cl.**

USPC **D32/22; D32/18**

(58) **Field of Classification Search**

USPC D32/17, 18, 21, 22, 31; D21/526
CPC A47L 5/24; A47L 5/28; A47L 5/30; A47L 5/34; A47L 5/36; A47L 9/04; A47L 9/102; A47L 9/106; A47L 11/30; A47L 11/302; A47L 11/4005; A47L 11/4008; A47L 11/4044; B04C 5/185; B23Q 11/0046; B23Q 11/0071; E04H 4/1636
See application file for complete search history.

FIG. 1 is a perspective view of a vacuum cleaner showing my new design;
FIG. 2 is another perspective view thereof;
FIG. 3 is a front elevational view thereof;
FIG. 4 is a rear elevational view thereof;
FIG. 5 is a left side elevational view thereof;
FIG. 6 is a right side elevational view thereof;
FIG. 7 is a top plan view thereof;
FIG. 8 is a bottom plan view thereof;
FIG. 9 is an enlarged view of FIG. 7;
FIG. 10 is an enlarged view of FIG. 8;
FIG. 11 is an enlarged view of the vacuum cleaner shown within the area designated as 11 of FIG. 1; and
FIG. 12 is an enlarged view of the vacuum cleaner shown within the area designated as 12 of FIG. 2.

(56) **References Cited**

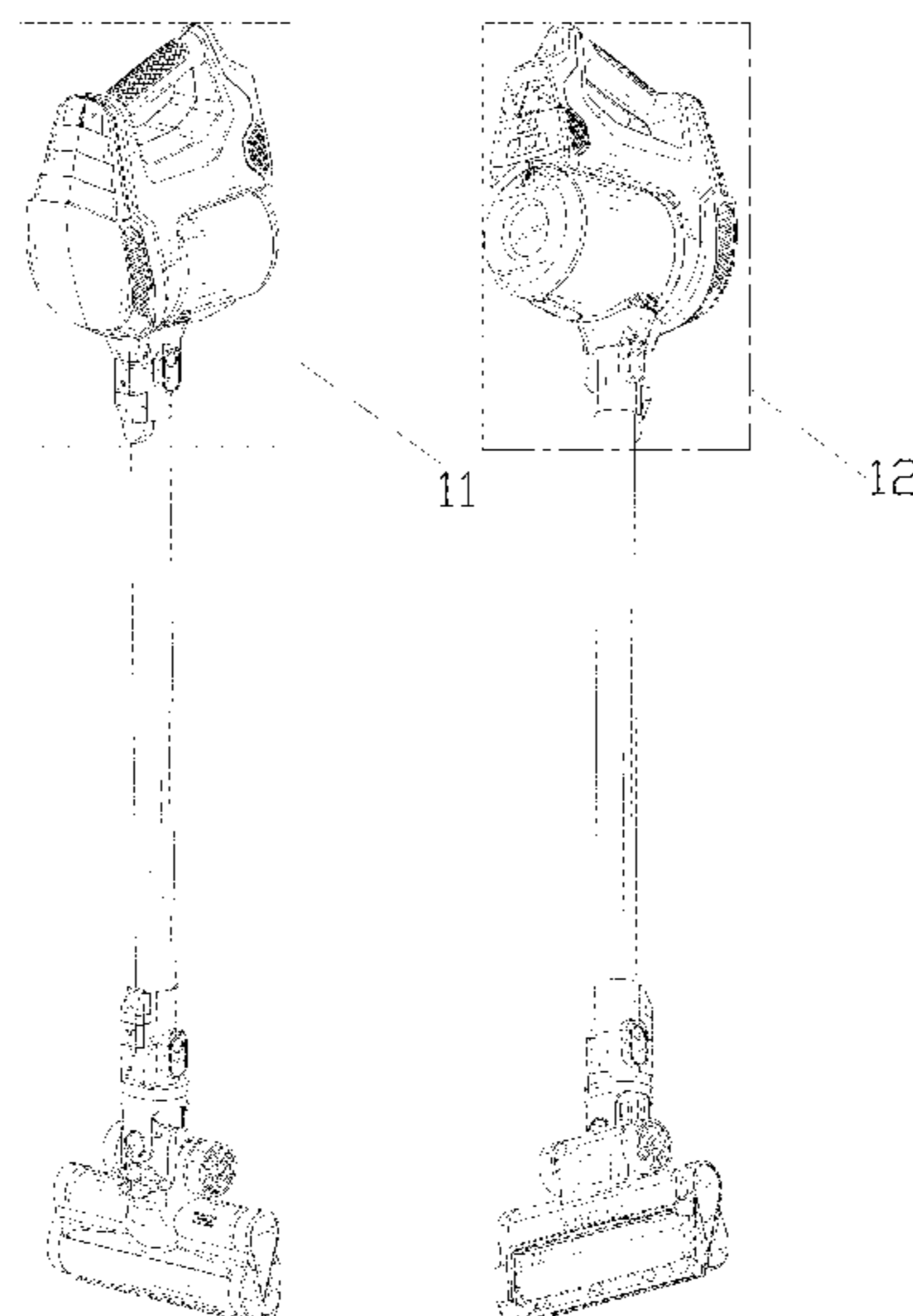
U.S. PATENT DOCUMENTS

D738,584 S * 9/2015 Niedzwecki D32/22
D798,009 S * 9/2017 Salagnac D32/22
D800,980 S * 10/2017 Carter D32/21
D814,723 S * 4/2018 Palladino D32/31
D819,282 S * 5/2018 Kim D32/22

The broken lines in the drawings are for the purpose of illustrating portions of the vacuum cleaner that form no part of the claimed design.

(Continued)

1 Claim, 12 Drawing Sheets



(56)

References Cited

U.S. PATENT DOCUMENTS

D824,616 S	7/2018	Ward et al.	
D830,017 S *	10/2018	Nam	D32/22
D838,067 S *	1/2019	Irfan	A47L 5/26
			D32/22
D868,400 S *	11/2019	Niedzwecki	D32/18
D871,695 S *	12/2019	Niedzwecki	D32/22
D887,657 S	6/2020	Palladino et al.	
D902,510 S *	11/2020	Knight Adams	D32/22
D905,360 S *	12/2020	Ma	D32/22
D908,990 S *	1/2021	Chen	D32/22
D912,344 S *	3/2021	Choi	D32/22
D920,609 S *	5/2021	Ma	D32/21
D927,109 S *	8/2021	Chei	D32/22
D932,124 S *	9/2021	Lin	D32/22

OTHER PUBLICATIONS

Shark HV380C Rocket Complete with DuoClean, available in Amazon.ca, date first available Oct. 17, 2017 [online], [site visited Aug. 25, 2021], Available from the internet URL: https://www.amazon.ca/Shark-HV380C-Complete-DuoClean-Cinnamon/dp/B0764G4Y2V?ref_=ast_sto_dp (Year: 2017).*

* cited by examiner

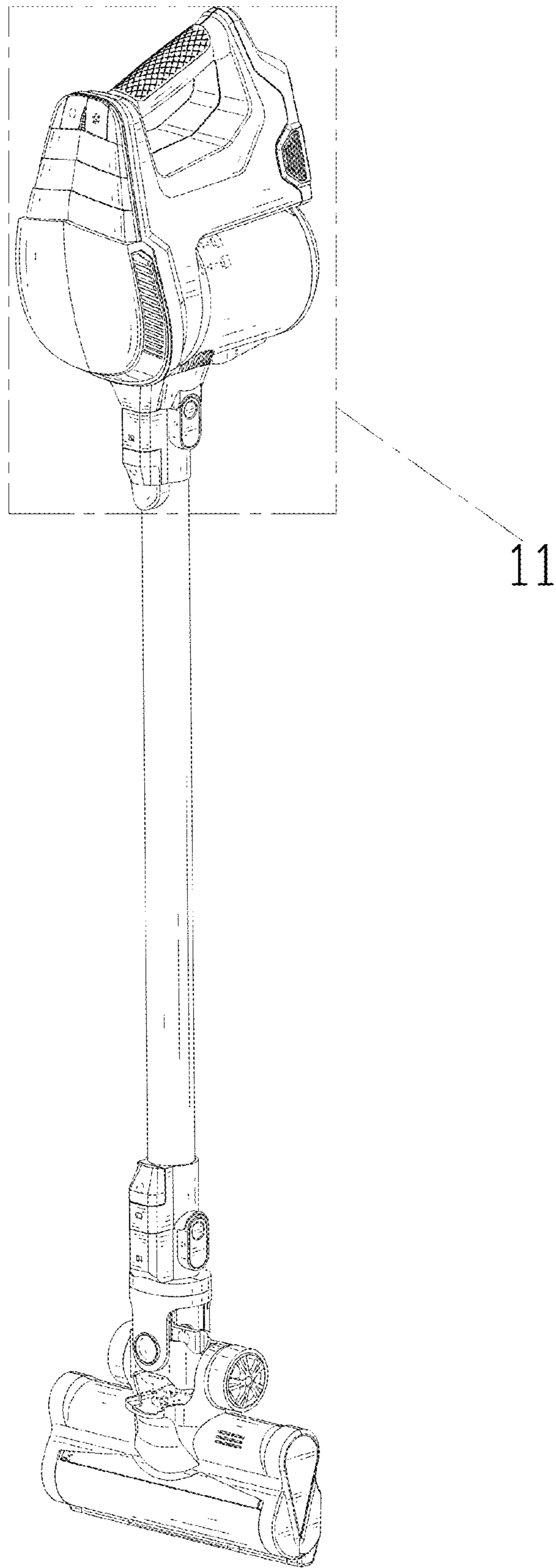


FIG. 1

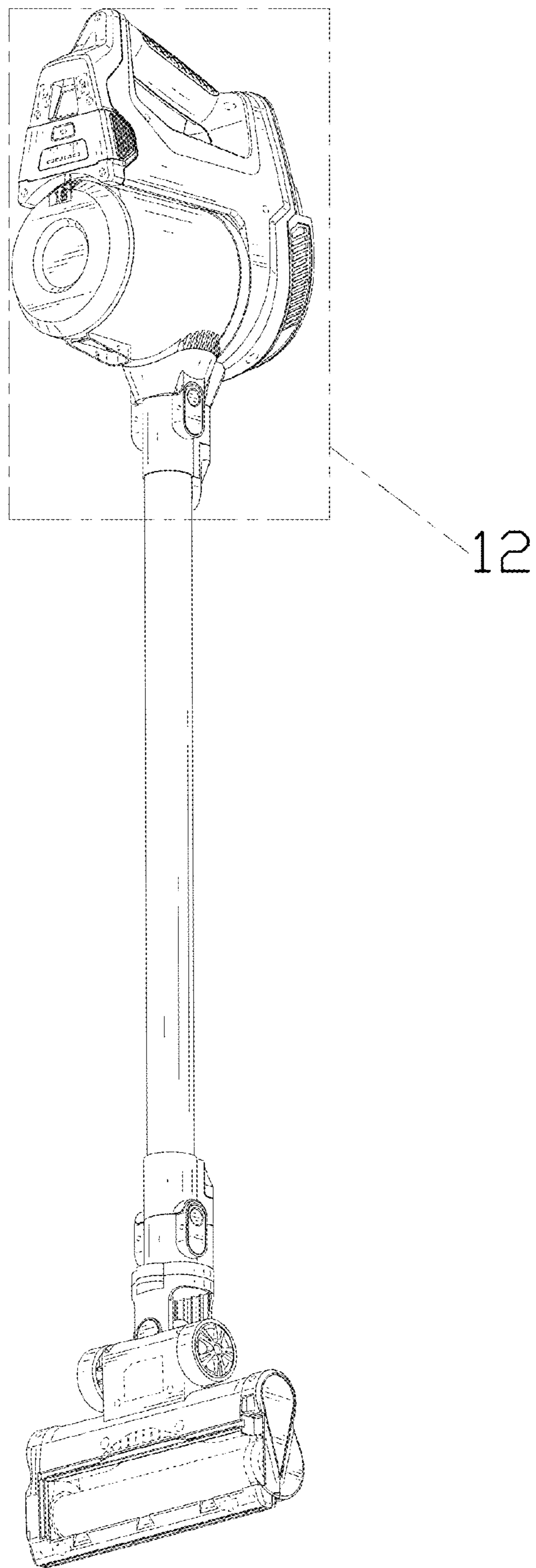


FIG. 2

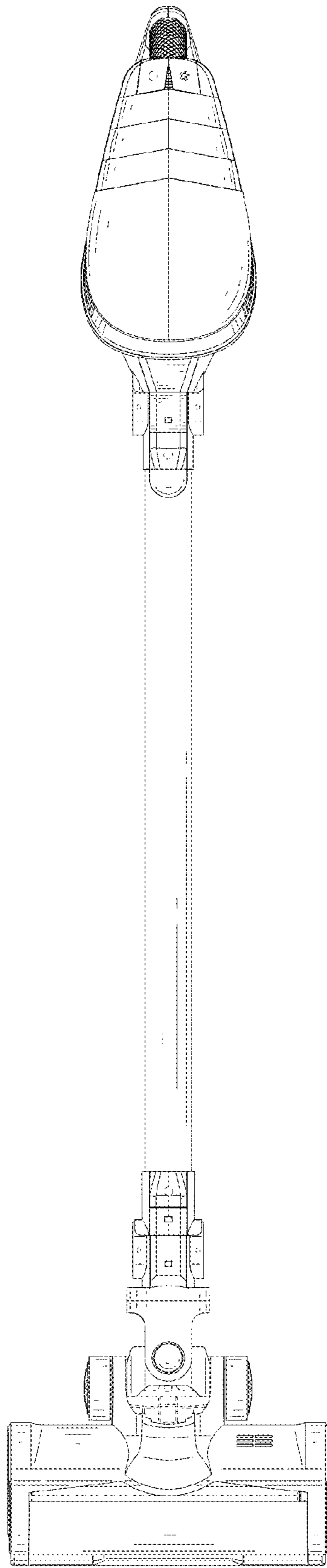


FIG. 3

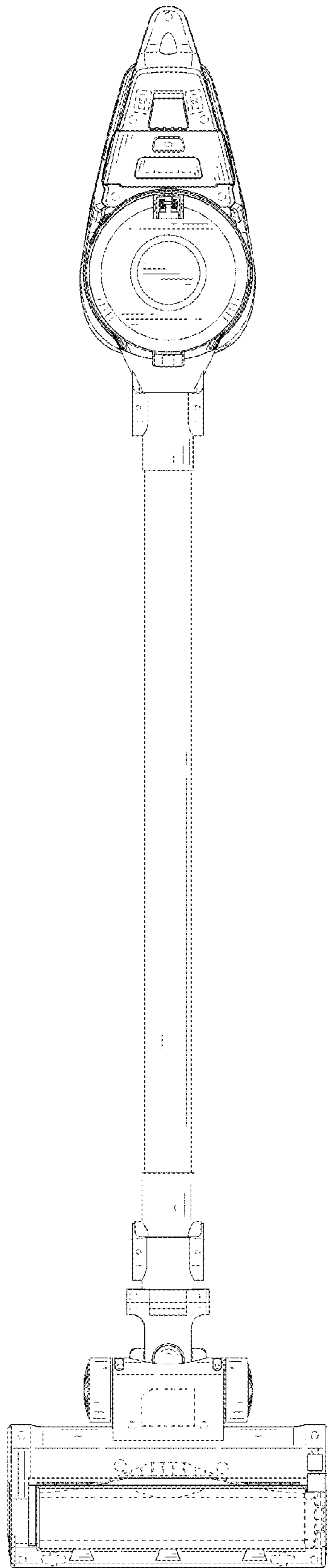


FIG. 4

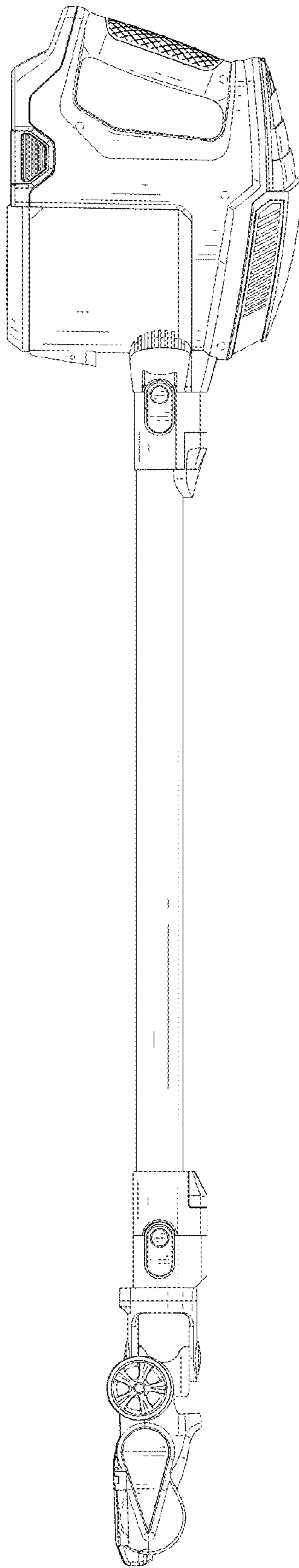


FIG. 5

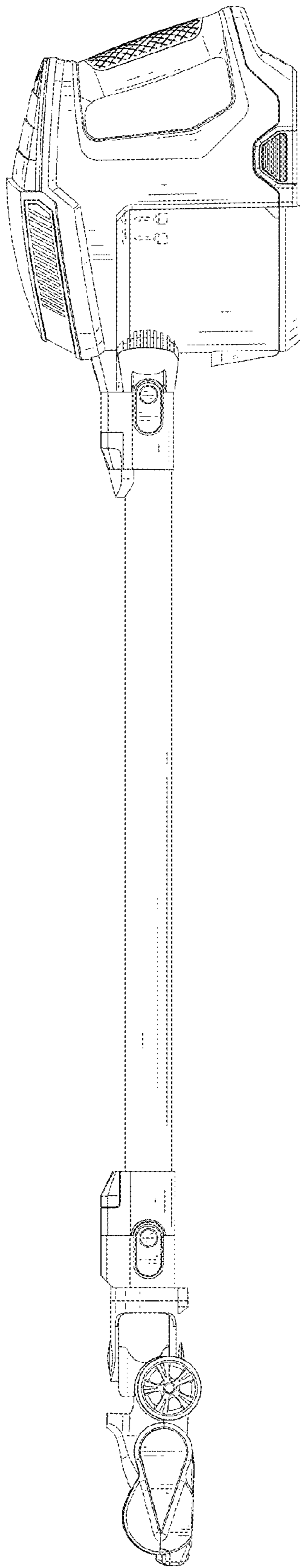


FIG. 6

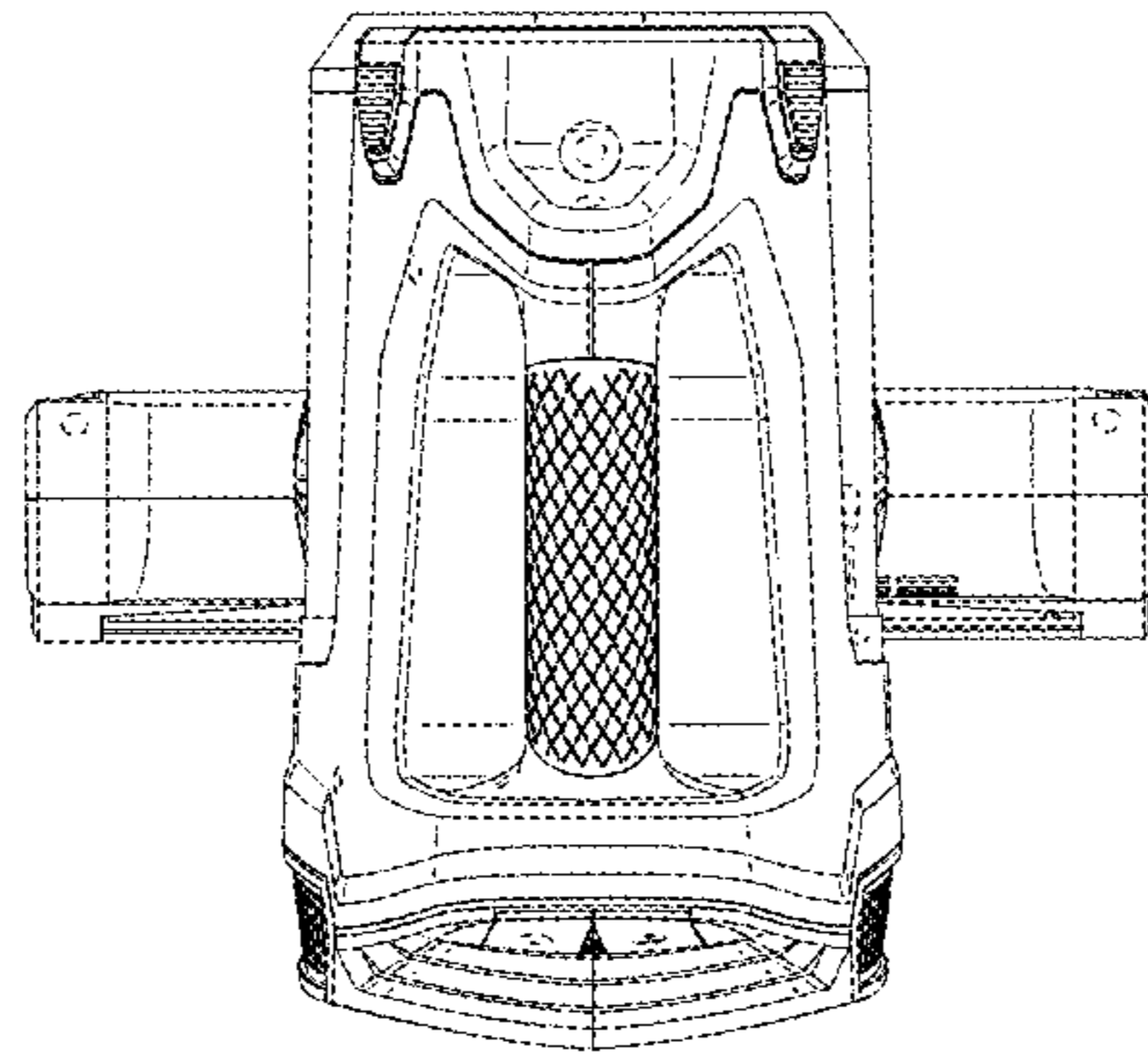


FIG. 7

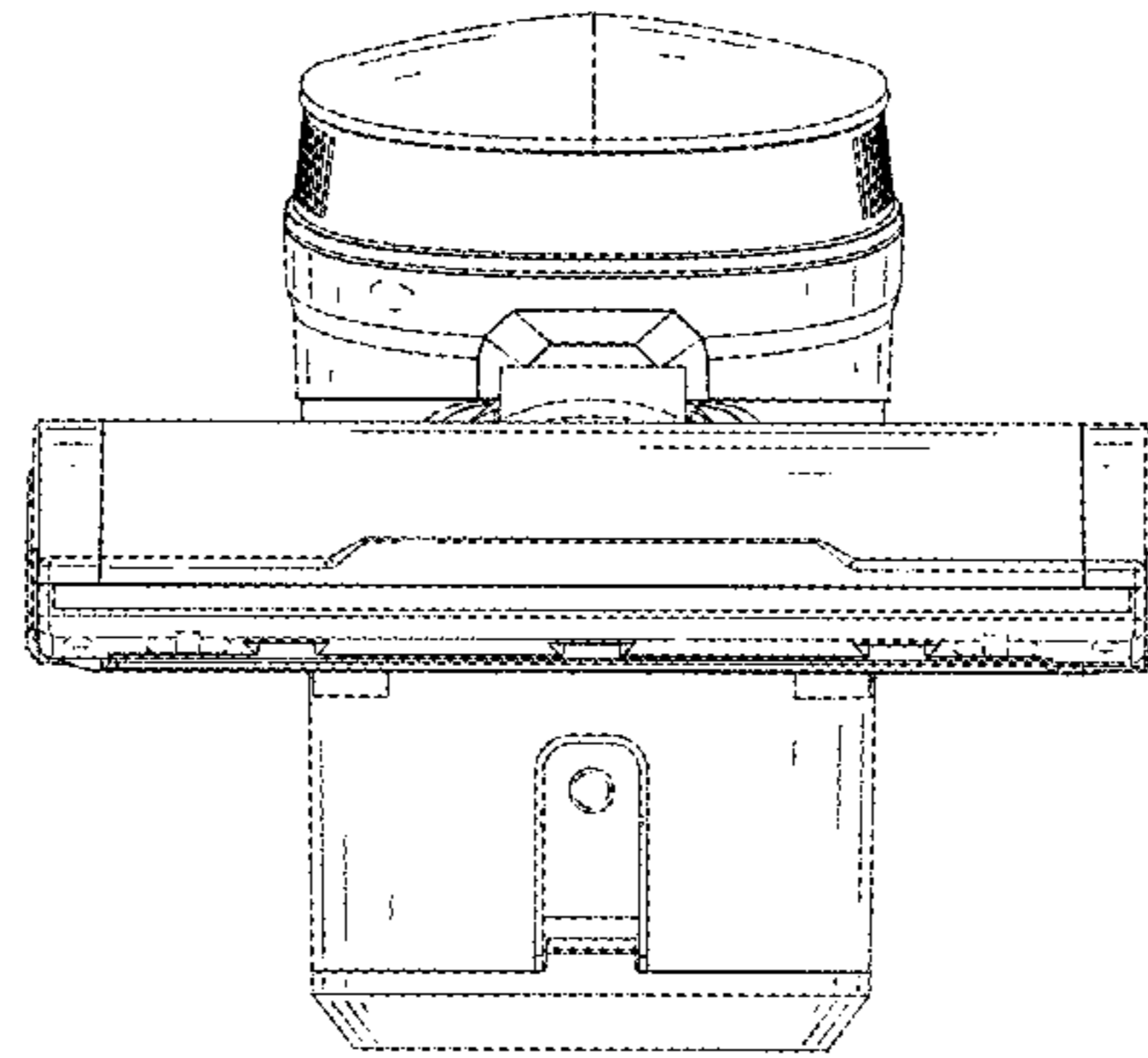


FIG. 8

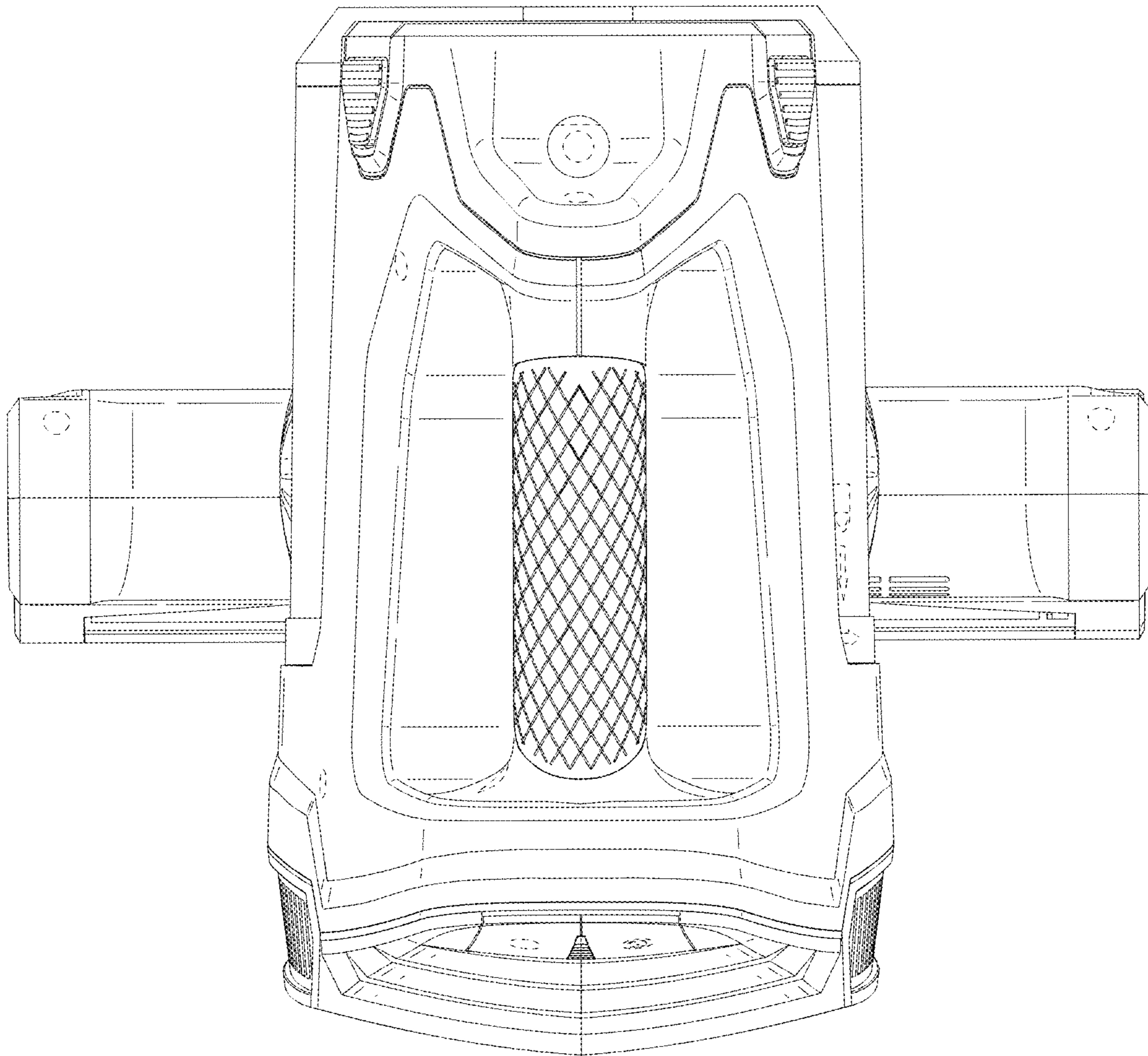


FIG. 9

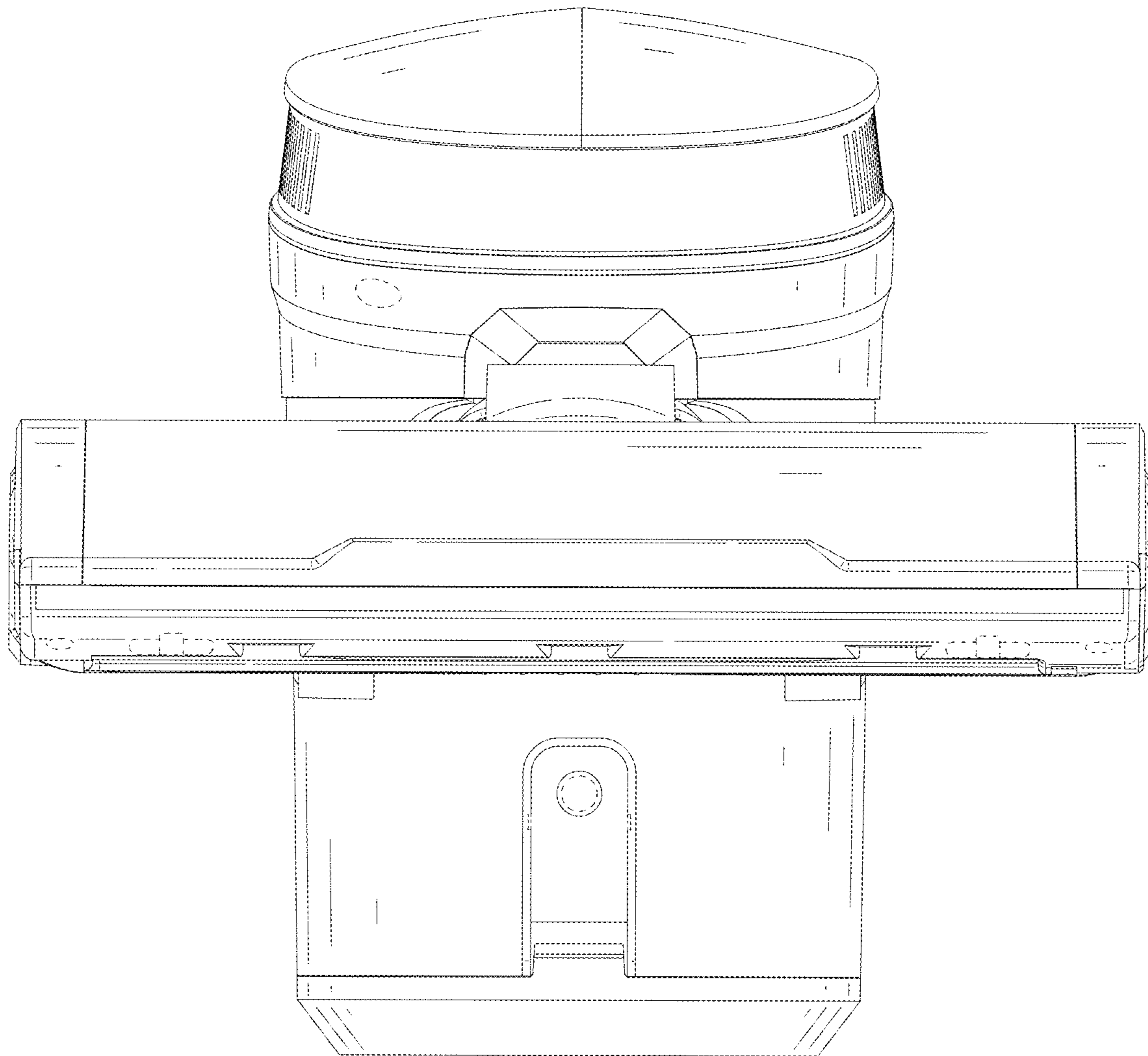


FIG. 10

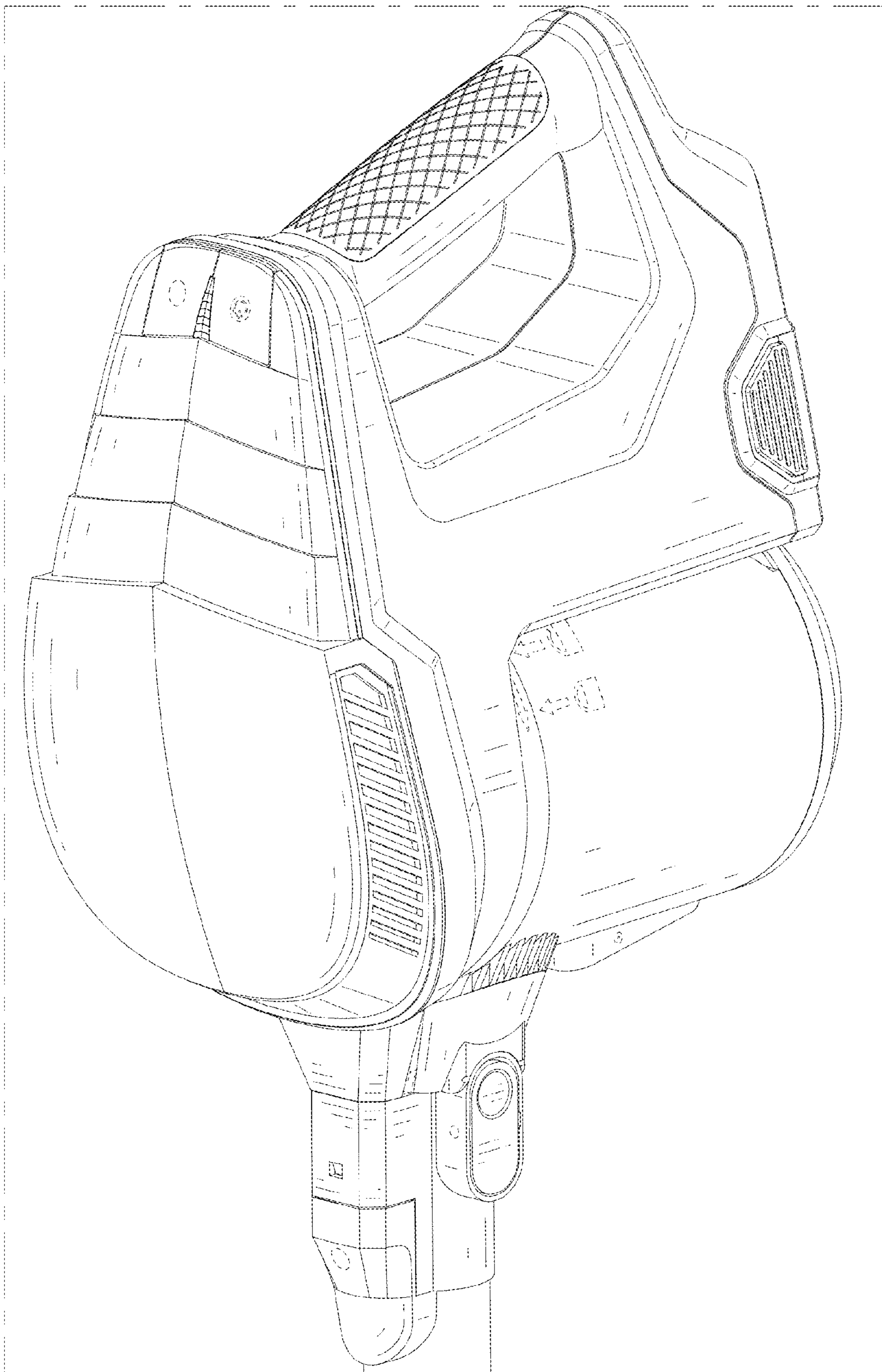


FIG. 11

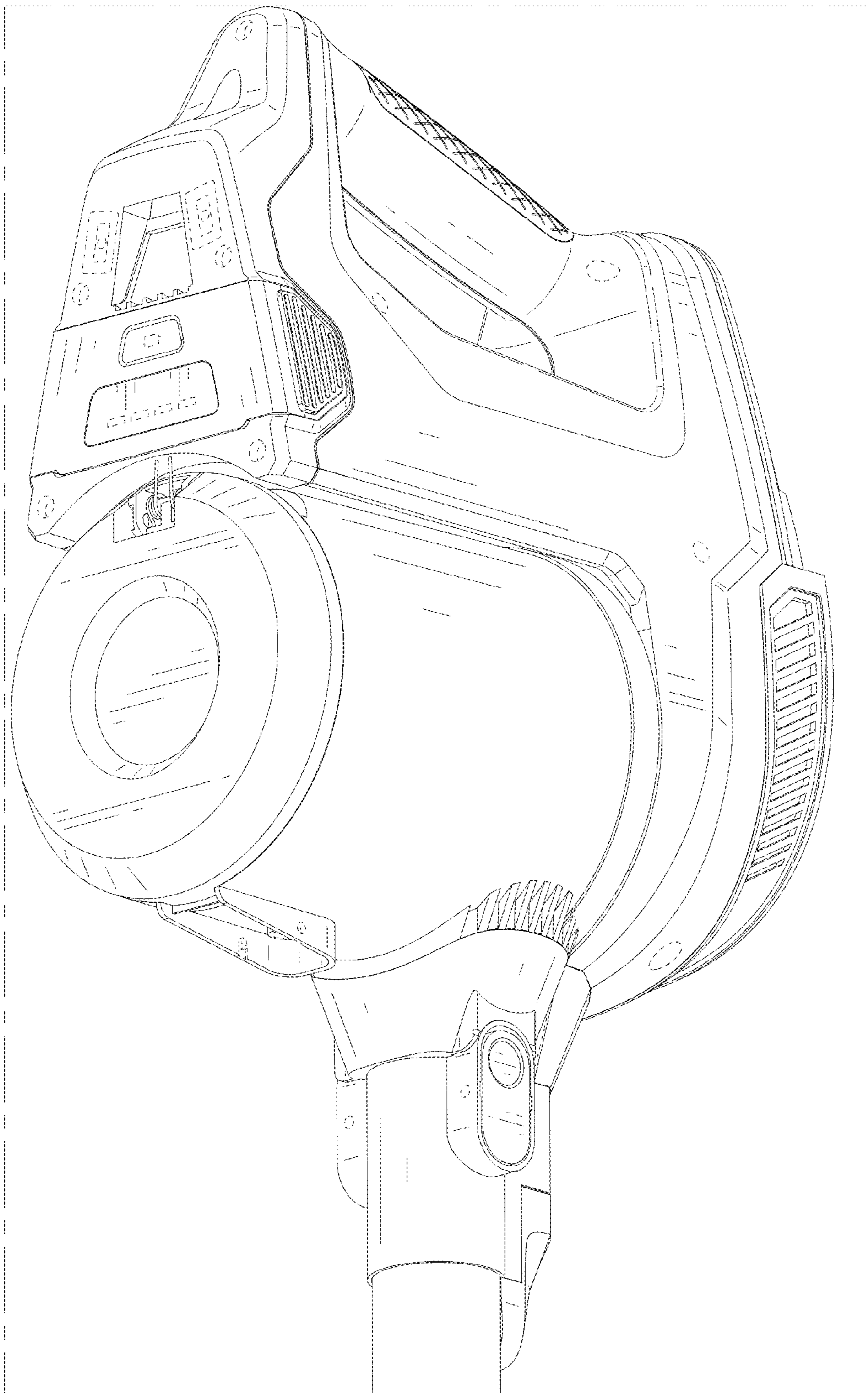


FIG. 12