



US00D943228S

(12) **United States Design Patent**
Wang

(10) **Patent No.:** **US D943,228 S**
(45) **Date of Patent:** **** Feb. 8, 2022**

(54) **VACUUM CLEANER**

(71) Applicant: **SUZHOU POODA CLEAN TECHNOLOGY CO., LTD.**, Suzhou (CN)

(72) Inventor: **Zhaofeng Wang**, Jiangsu (CN)

(**) Term: **15 Years**

(21) Appl. No.: **29/721,002**

(22) Filed: **Jan. 17, 2020**

(51) **LOC (13) Cl.** **15-05**

(52) **U.S. Cl.**
USPC **D32/22**

(58) **Field of Classification Search**
USPC D32/17, 18, 22, 31; D21/526
CPC A47L 5/24; A47L 5/28; A47L 5/30; A47L 5/34; A47L 5/36; A47L 9/04; A47L 9/102; A47L 9/106; A47L 11/30; A47L 11/302; A47L 11/4005; A47L 11/4008; A47L 11/4044; B04C 5/185; B23Q 11/0046; B23Q 11/0071; E04H 4/1636
See application file for complete search history.

(56) **References Cited**

U.S. PATENT DOCUMENTS

- 8,397,344 B2 * 3/2013 Liddell A47L 5/24 15/326
- D731,130 S * 6/2015 Dyson D32/18
- D738,584 S * 9/2015 Niedzwecki D32/22
- D774,260 S * 12/2016 Manning D32/22
- D799,767 S * 10/2017 Palladino D32/22
- D800,980 S * 10/2017 Carter D32/21
- D819,282 S * 5/2018 Kim D32/22
- D824,616 S * 7/2018 Ward D32/22
- D830,016 S * 10/2018 Lim D32/22
- D830,017 S * 10/2018 Nam D32/22
- D838,067 S * 1/2019 Irfan B04C 5/185 D32/22
- D861,268 S * 9/2019 Meyer D32/22

- D862,011 S * 10/2019 Kim D32/22
- D871,695 S * 12/2019 Niedzwecki D32/22
- D897,616 S * 9/2020 Chen D32/22

(Continued)

FOREIGN PATENT DOCUMENTS

- CN 304536483 * 3/2018
- JP D1640470 * 9/2019

(Continued)

OTHER PUBLICATIONS

Proscenic P10 Upgraded Version Cordless Vacuum Cleaner, available in Amazon.co.uk, date first available Nov. 5, 2020 [online], [site visited Apr. 2, 2021], Available from the internet . . . URL: https://www.amazon.co.uk/Proscenic-P10-Upgraded-Adjustable-Removable/dp/B08MF7273M/ref=sr_1_3?dchild=1&keywords=Proscenic+P10+Upgraded+Version+Cordless+Vacuum+Cleaner%2C&qid=1617905746&s=kitchen&sr=1-3 (Year: 2020).*

(Continued)

Primary Examiner — Dana K Weiland
Assistant Examiner — Jennylou M Binas

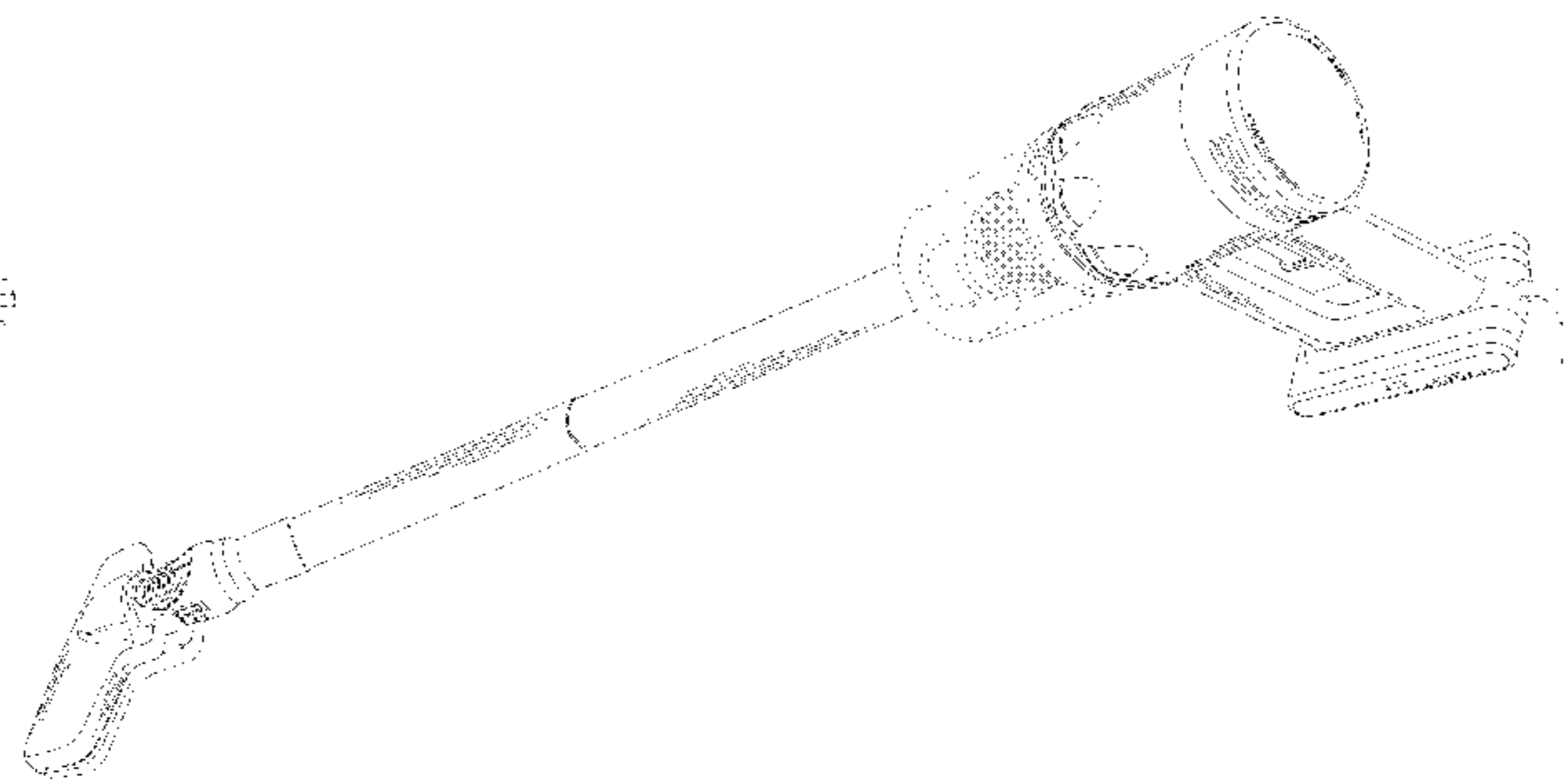
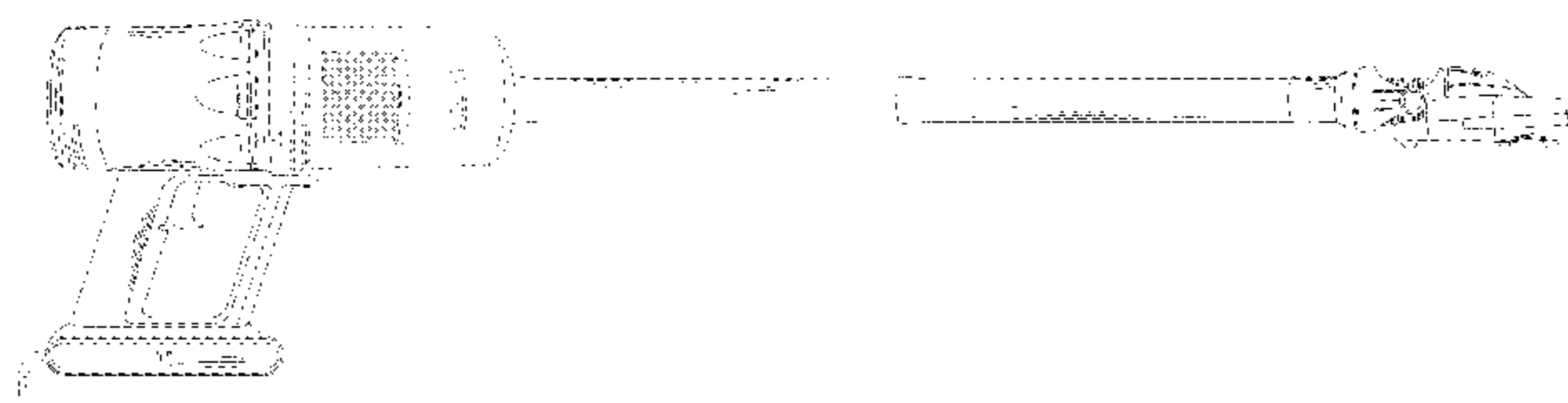
(57) **CLAIM**

The ornamental design for a vacuum cleaner, as shown and described.

DESCRIPTION

FIG. 1 is a front elevational view thereof;
FIG. 2 is a rear elevational view thereof;
FIG. 3 is a left side elevational view thereof;
FIG. 4 is a right side elevational view thereof;
FIG. 5 is a top plan view thereof; and
FIG. 6 is a bottom plan view thereof; and,
FIG. 7 is a perspective view of a vacuum cleaner showing my new design.
The broken lines are shown for the purpose of illustrating portions of the vacuum cleaner and forms no part of the claimed design.

1 Claim, 7 Drawing Sheets



(56)

References Cited

U.S. PATENT DOCUMENTS

D902,510 S * 11/2020 Knight Adams D32/22
 D905,360 S * 12/2020 Ma D32/22
 D905,919 S * 12/2020 Niedzwecki D32/34
 D908,990 S * 1/2021 Chen D32/22
 D912,344 S * 3/2021 Choi D32/22
 D922,008 S * 6/2021 Cole D32/18
 D927,110 S * 8/2021 Ma D32/22
 D929,685 S * 8/2021 Choi D32/18
 D929,686 S * 8/2021 Uim D32/18
 D930,296 S * 9/2021 Song D32/18
 D932,122 S * 9/2021 Xu D32/18
 D932,124 S * 9/2021 Lin D32/22
 D933,320 S * 10/2021 Bloemendaal D32/22
 2009/0307863 A1 * 12/2009 Milne B04C 5/10
 15/344
 2016/0058257 A1 * 3/2016 Ventress A47L 9/0477
 15/383
 2018/0289227 A1 * 10/2018 Takano A47L 9/0081
 2019/0183306 A1 * 6/2019 King A47L 5/24

2020/0069131 A1 * 3/2020 Jung A47L 5/26
 2020/0163508 A1 * 5/2020 Percy-Raine A47L 9/102
 2020/0204034 A1 * 6/2020 Shin H02K 3/34

FOREIGN PATENT DOCUMENTS

JP D1642124 * 9/2019
 JP D1668040 * 9/2020

OTHER PUBLICATIONS

Vistefly VX Cordless Vacuum Cleaner, available in Amazon.co.uk, date first available Jul. 1, 2020 [online], [site visited Apr. 2, 2021], Available from the internet . . . URL: https://www.amazon.co.uk/Vistefly-Cordless-Handheld-Lightweight-Rechargeable/dp/B08C7P84BG/ref=sr_1_3?dchild=1&keywords=Vistefly+VX+Cordless+Vacuum+Cleaner&qid=1617905896&s=kitchen&sr=1-3 (Year: 2020).*

* cited by examiner

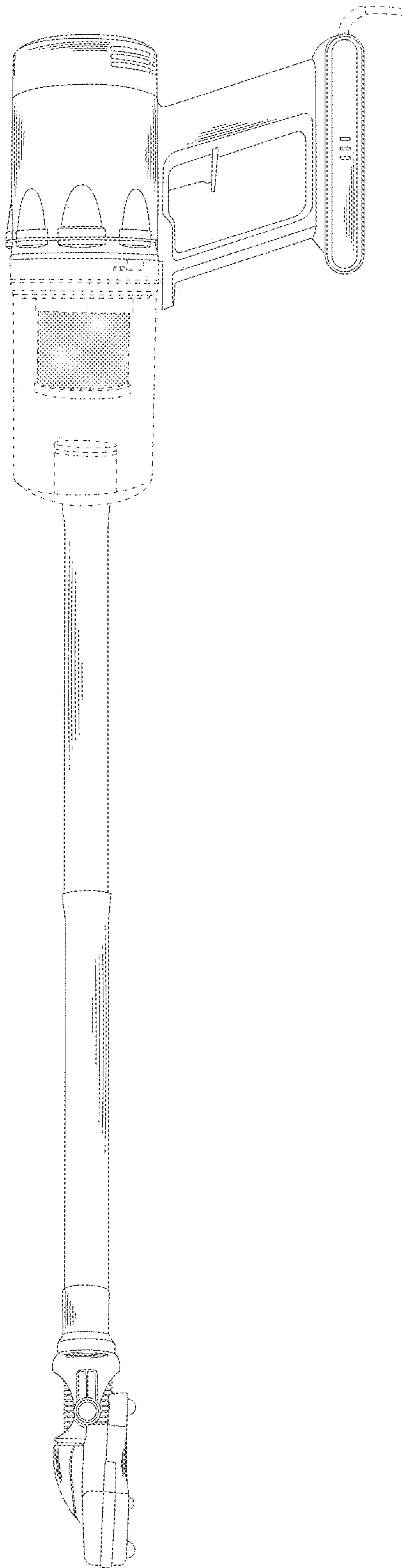


FIG.1

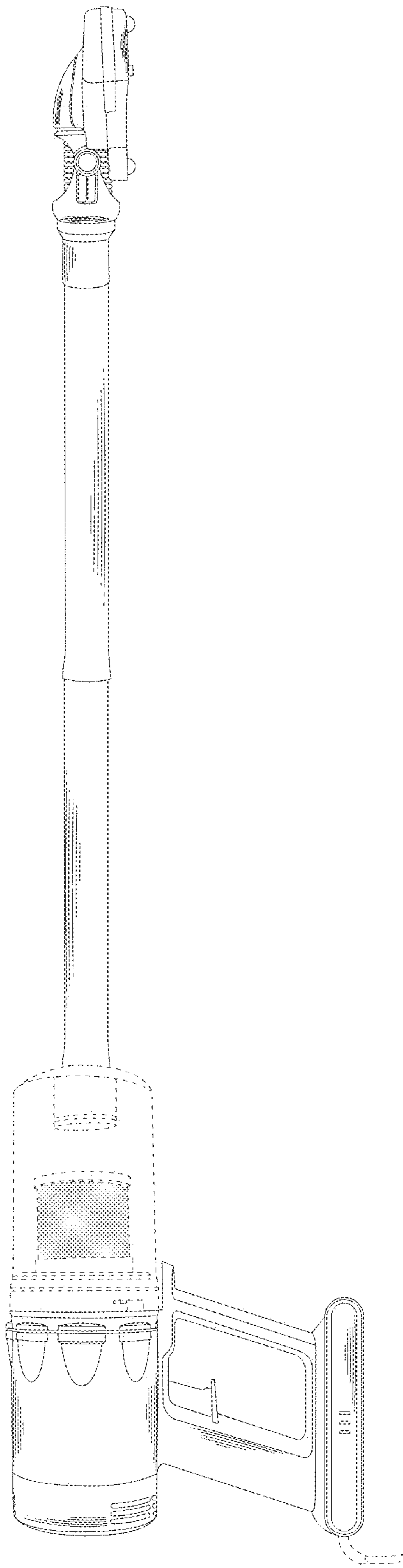


FIG.2

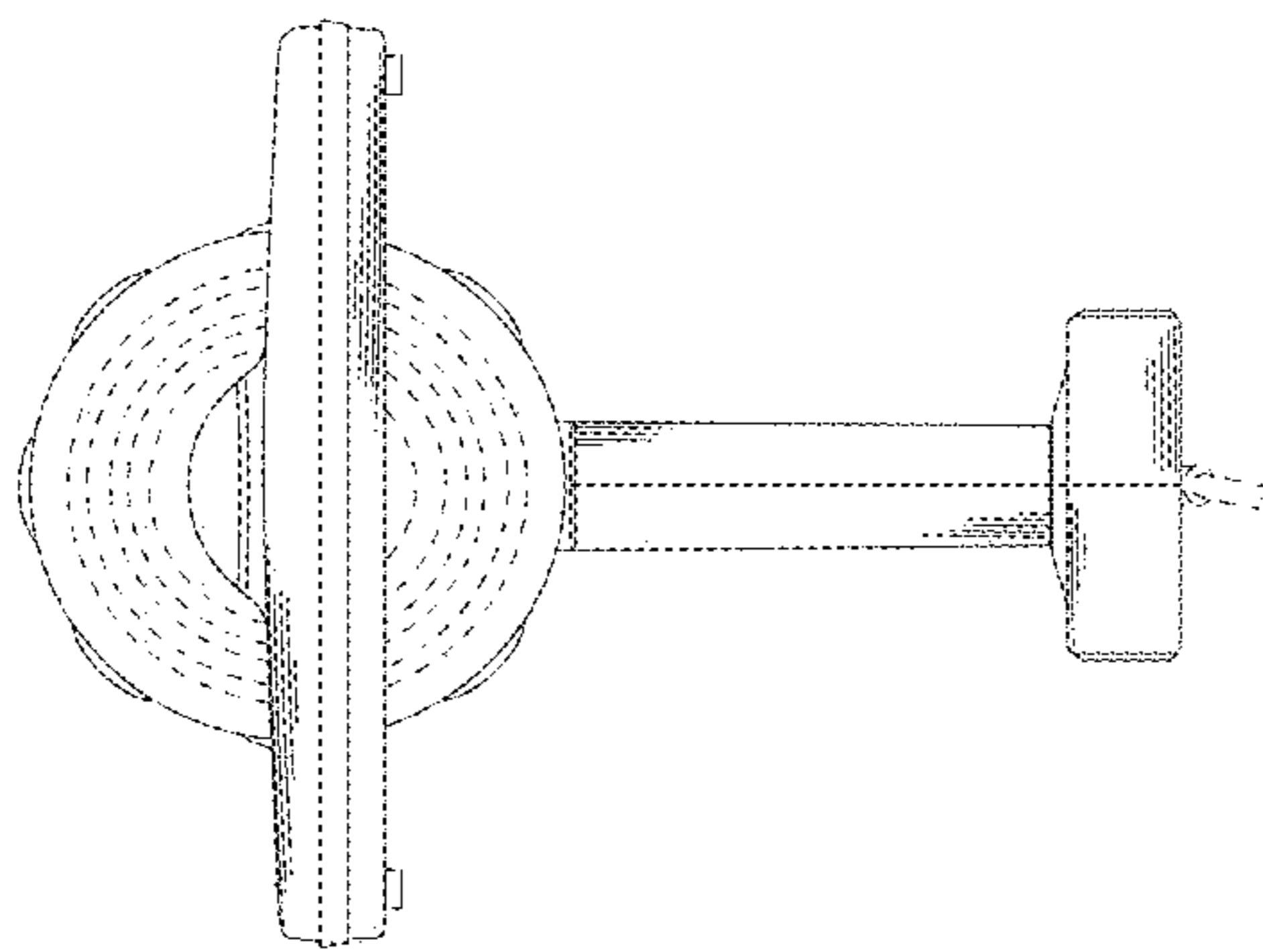


FIG.3

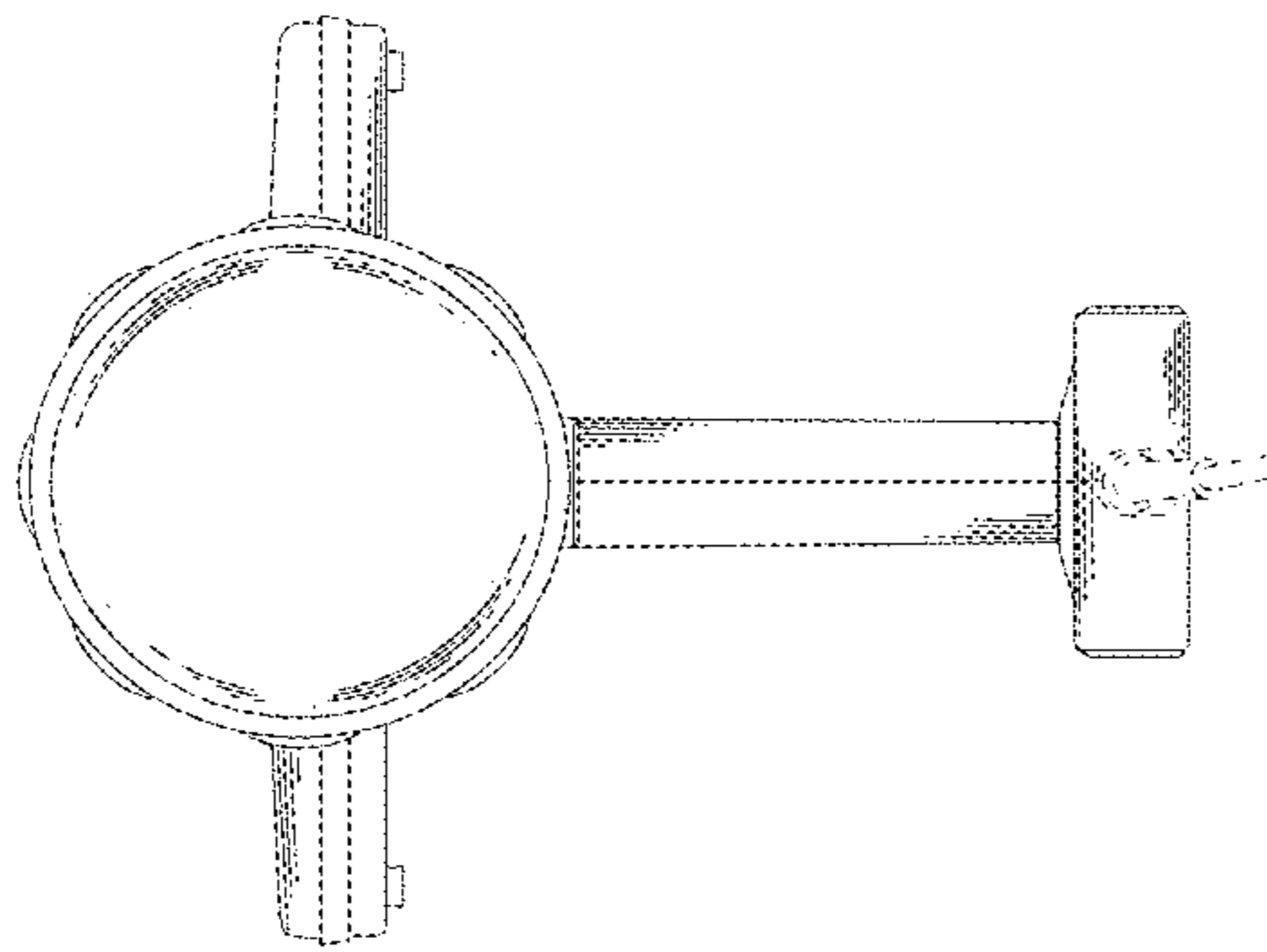


FIG.4

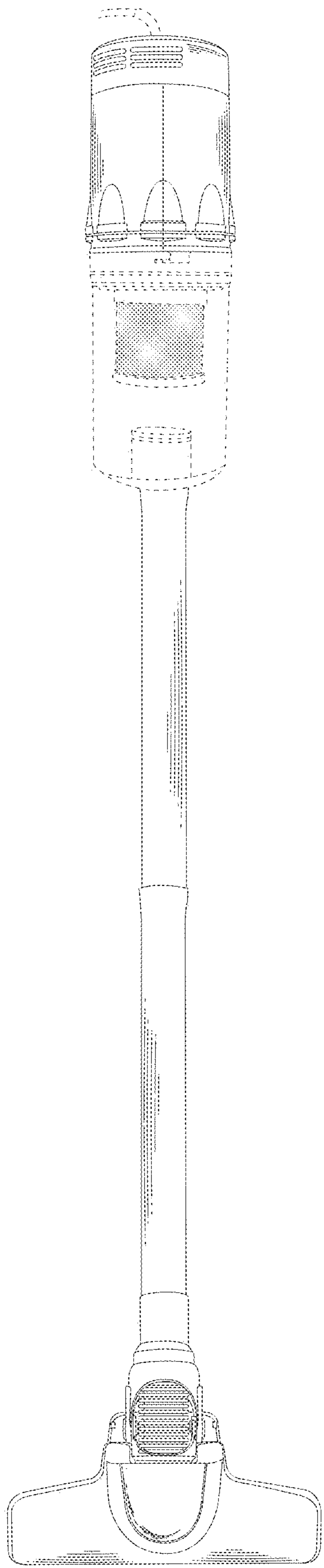


FIG.5

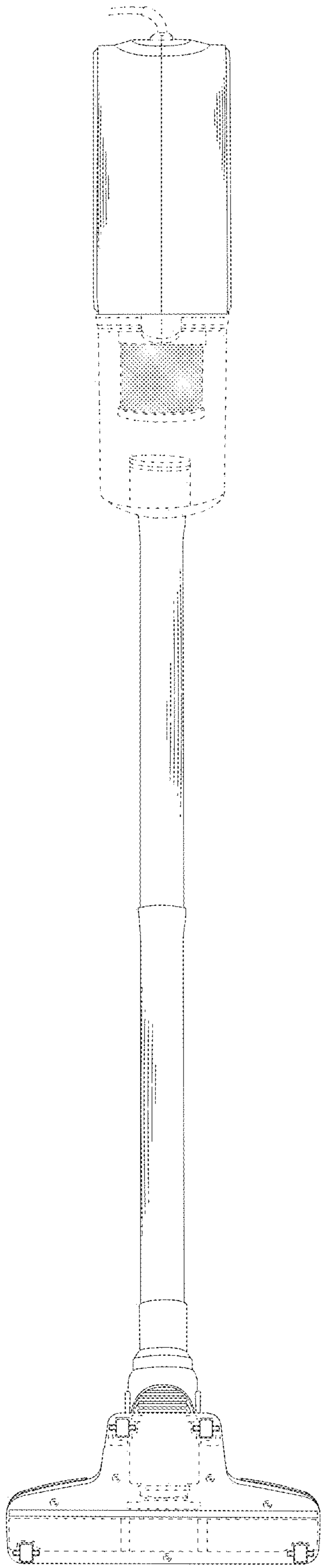


FIG.6

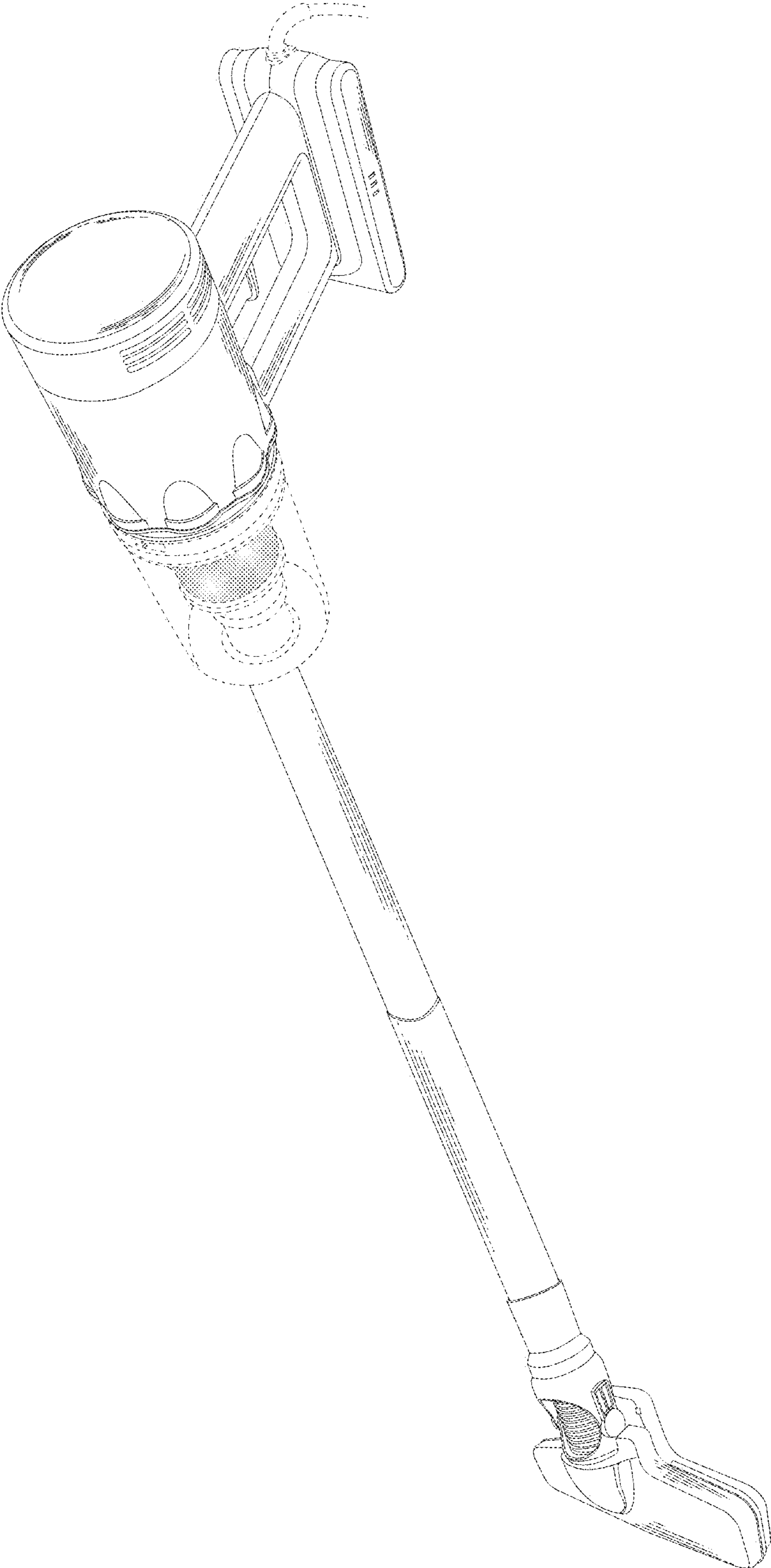


FIG. 7