



US00D943227S

(12) **United States Design Patent**  
**Han et al.**

(10) **Patent No.:** **US D943,227 S**

(45) **Date of Patent:** **\*\* Feb. 8, 2022**

(54) **ROBOTIC VACUUM CLEANER**

(71) Applicant: **LG ELECTRONICS INC.**, Seoul (KR)

(72) Inventors: **Jaehun Han**, Seoul (KR); **Jongil Park**, Seoul (KR); **Jihyun Lim**, Seoul (KR)

(73) Assignee: **LG ELECTRONICS INC.**, Seoul (KR)

(\*\*) Term: **15 Years**

(21) Appl. No.: **29/725,513**

(22) Filed: **Feb. 25, 2020**

(30) **Foreign Application Priority Data**

Aug. 28, 2019 (KR) ..... 30-2019-0041300

(51) **LOC (13) Cl.** ..... **15-05**

(52) **U.S. Cl.**  
USPC ..... **D32/21**

(58) **Field of Classification Search**

USPC ..... D32/21, 31; D21/526, 578; D8/70, 310, D8/330; D10/37, 38, 50, 106.2, 106.5; D13/108, 209; D23/254  
CPC . A47L 5/08; A47L 5/30; A47L 7/0004; A47L 9/04; A47L 9/168; A47L 9/2805; A47L 9/2873; A47L 11/4011; A47L

(Continued)

(56) **References Cited**

**U.S. PATENT DOCUMENTS**

D452,167 S \* 12/2001 Leyde ..... D10/123  
D577,357 S \* 9/2008 Poandl ..... D14/216

(Continued)

**FOREIGN PATENT DOCUMENTS**

KR 300827701.0000 \* 12/2015  
WO D093713-001 \* 8/2017

(Continued)

**OTHER PUBLICATIONS**

CD player Portable, available in Amazon.com, date first available Nov. 13, 2019 [online], [site visited Mar. 22, 2021], Available from the internet URL: [https://www.amazon.com/dp/B081FL3VSP/ref=cm\\_sw\\_r\\_em\\_apa\\_fabc\\_6ZFVGJ3FRGYHK8ZC6TCX?\\_encoding=UTF8&psc=1](https://www.amazon.com/dp/B081FL3VSP/ref=cm_sw_r_em_apa_fabc_6ZFVGJ3FRGYHK8ZC6TCX?_encoding=UTF8&psc=1) (Year: 2019).\*

(Continued)

*Primary Examiner* — Dana K Weiland

*Assistant Examiner* — Jennylou M Binas

(74) *Attorney, Agent, or Firm* — Birch, Stewart, Kolasch & Birch, LLP

(57) **CLAIM**

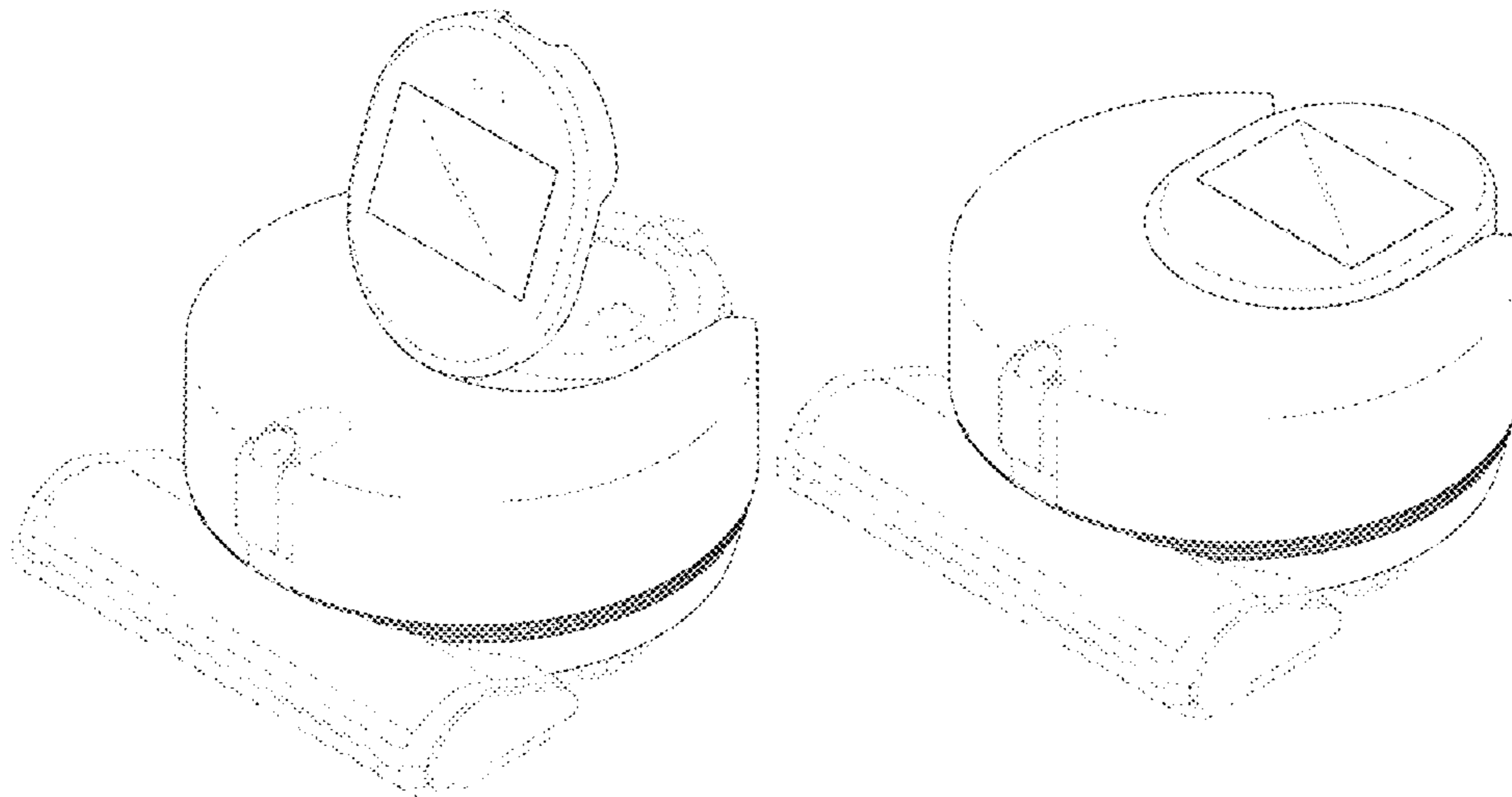
The ornamental design for a robotic vacuum cleaner, as shown and described.

**DESCRIPTION**

FIG. 1 is a front, right side, perspective view of a robotic vacuum cleaner showing our new design; FIG. 2 is a front view thereof; FIG. 3 is a rear view thereof; FIG. 4 is a left side view thereof; FIG. 5 is a right side view thereof; FIG. 6 is a top view thereof; FIG. 7 is a bottom view thereof; FIG. 8 is a front, right side, perspective view of the robotic vacuum cleaner lowered in an alternate configuration; FIG. 9 is a front view thereof; FIG. 10 is a rear view thereof; FIG. 11 is a left side view thereof; FIG. 12 is a right side view thereof; FIG. 13 is a top view thereof; and, FIG. 14 is a bottom view.

The broken lines indicate portions of the robotic vacuum cleaner that form no part of the claimed design.

**1 Claim, 14 Drawing Sheets**



(58) **Field of Classification Search**

CPC ..... 11/4016; A47L 11/4038; A47L 11/4041;  
 A47L 11/4044; A47L 2201/02; A47L  
 2201/04; A47L 2201/06; B25J 9/0003;  
 B25J 9/1694; E04H 4/1636; G05D  
 1/0225; G06N 3/008

See application file for complete search history.

(56) **References Cited**

U.S. PATENT DOCUMENTS

D649,129 S \* 11/2011 Li ..... D14/132  
 D736,294 S \* 8/2015 Scalisi ..... D16/203  
 D783,911 S \* 4/2017 Bu ..... D32/21  
 D786,604 S \* 5/2017 Lira-Nunez ..... D7/311  
 D807,599 S \* 1/2018 Nam ..... D32/21  
 D818,225 S \* 5/2018 Nam ..... D32/21  
 D818,226 S \* 5/2018 Nam ..... D32/21  
 D827,233 S \* 8/2018 Nam ..... D32/21  
 D840,857 S \* 2/2019 Scalisi ..... D10/118.2  
 D857,314 S \* 8/2019 Vanderstegen-Drake ..... D32/21  
 D860,557 S \* 9/2019 Gnielka ..... D32/21  
 D870,403 S \* 12/2019 Ebrahimi Afrouzi ..... D32/21  
 D871,693 S \* 12/2019 Ebrahimi Afrouzi ..... D32/21  
 D875,786 S \* 2/2020 Fang ..... D14/509  
 D884,999 S \* 5/2020 Ebrahimi Afrouzi ..... D32/21  
 D921,310 S \* 6/2021 Kim ..... D32/21  
 2017/0332869 A1\* 11/2017 Nam ..... A47L 11/4061  
 2018/0113467 A1\* 4/2018 Kim ..... A47L 9/2873  
 2018/0184870 A1\* 7/2018 Moon ..... A47L 11/282  
 2018/0184871 A1\* 7/2018 Sun ..... A47L 11/4011  
 2018/0188737 A1\* 7/2018 Won ..... G05D 1/0234  
 2018/0338661 A1\* 11/2018 Shin ..... G01B 11/2513  
 2018/0360281 A1\* 12/2018 Shin ..... A47L 9/0494  
 2019/0025850 A1\* 1/2019 Park ..... H04N 5/2257

2019/0038107 A1\* 2/2019 Jang ..... A47L 11/4061  
 2019/0208970 A1\* 7/2019 Suchman ..... A47L 7/0038  
 2019/0246857 A1\* 8/2019 Baek ..... A47L 9/0477  
 2019/0274510 A1\* 9/2019 Yang ..... A47L 11/28  
 2019/0339711 A1\* 11/2019 Kwak ..... G05D 1/0293  
 2020/0022552 A1\* 1/2020 Han ..... A47L 9/2873  
 2020/0054185 A1\* 2/2020 Kim ..... A47L 11/4061  
 2020/0229661 A1\* 7/2020 Yun ..... A47L 9/0433  
 2020/0383546 A1\* 12/2020 Kim ..... A47L 9/009  
 2021/0030243 A1\* 2/2021 Lee ..... A47L 11/4038  
 2021/0030249 A1\* 2/2021 Ko ..... A47L 11/4075  
 2021/0052124 A1\* 2/2021 Jun ..... A47L 9/2805  
 2021/0076893 A1\* 3/2021 Ahn ..... A47L 11/4069  
 2021/0093144 A1\* 4/2021 Shin ..... G05D 1/0217  
 2021/0093145 A1\* 4/2021 Kim ..... A47L 9/102  
 2021/0114220 A1\* 4/2021 Shin ..... B25J 9/1692  
 2021/0169295 A1\* 6/2021 Nam ..... A47L 9/122  
 2021/0186289 A1\* 6/2021 Park ..... B25J 11/00  
 2021/0186294 A1\* 6/2021 Ko ..... A47L 11/4038  
 2021/0212541 A1\* 7/2021 Sung ..... A47L 9/2826

FOREIGN PATENT DOCUMENTS

WO D208823-001 \* 8/2020  
 WO D209011-001 \* 8/2020

OTHER PUBLICATIONS

Tyler TDM-02 Portable CD Player, available in Amazon.com, date first available May 23, 2020 [online], [site visited Mar. 22, 2021], Available from the internet URL: [https://www.amazon.com/dp/B08936HDGF/ref=cm\\_sw\\_r\\_em\\_apa\\_fabc\\_CH0G3VDPP2F5NC31YP92?\\_encoding=UTF8&pvc=1](https://www.amazon.com/dp/B08936HDGF/ref=cm_sw_r_em_apa_fabc_CH0G3VDPP2F5NC31YP92?_encoding=UTF8&pvc=1) (Year: 2020).\*

\* cited by examiner

FIG. 1

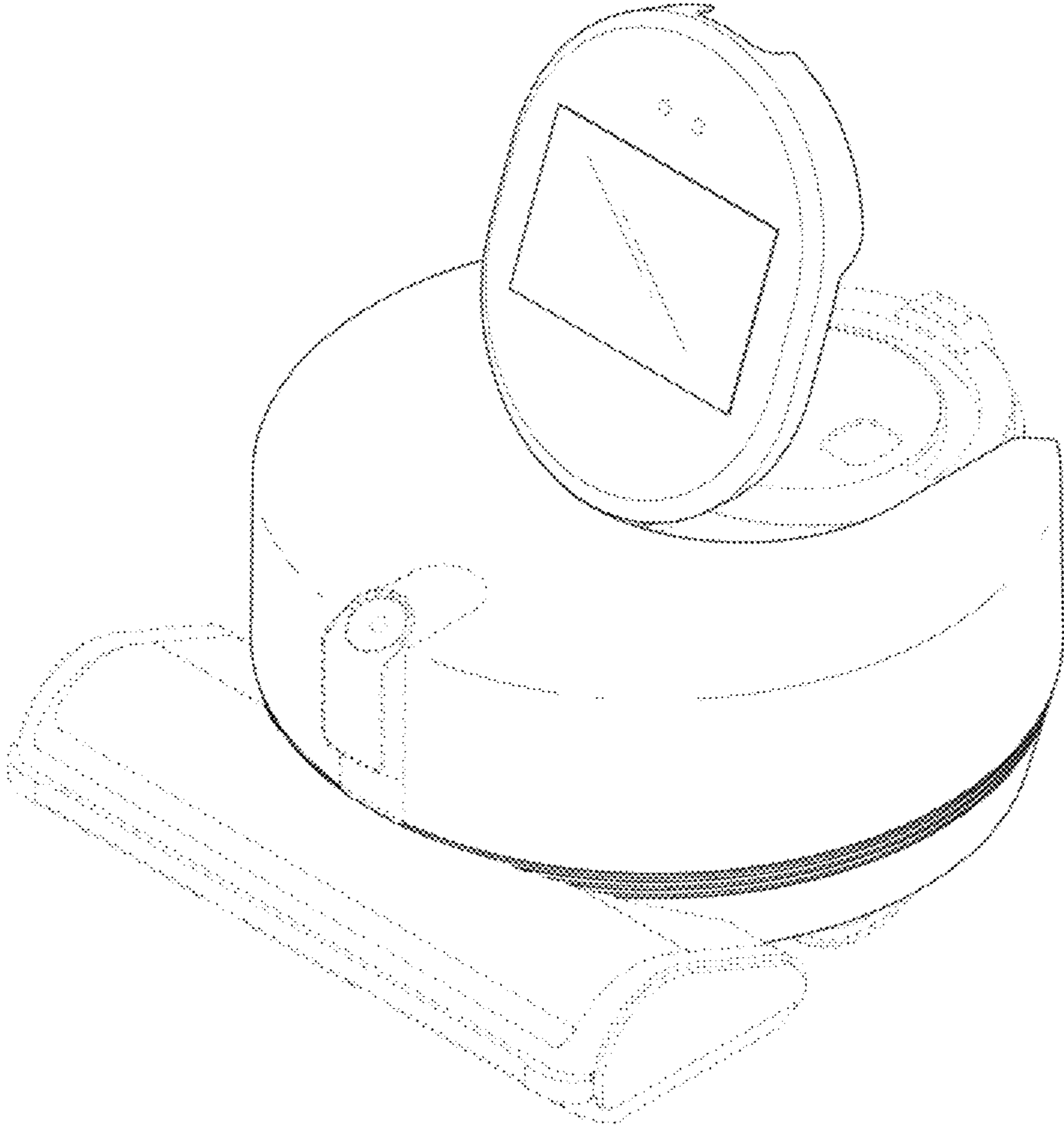


FIG. 2

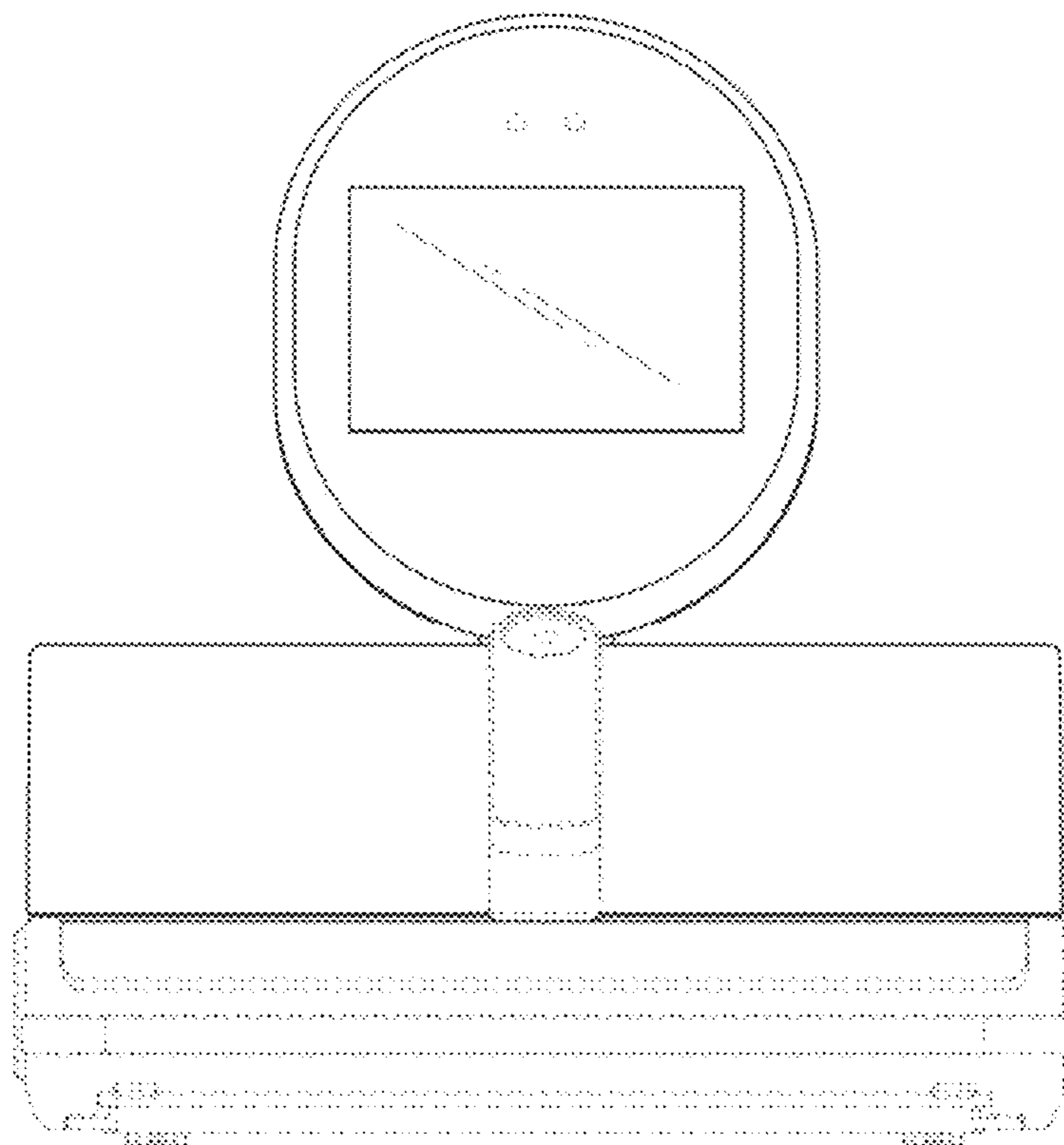


FIG. 3

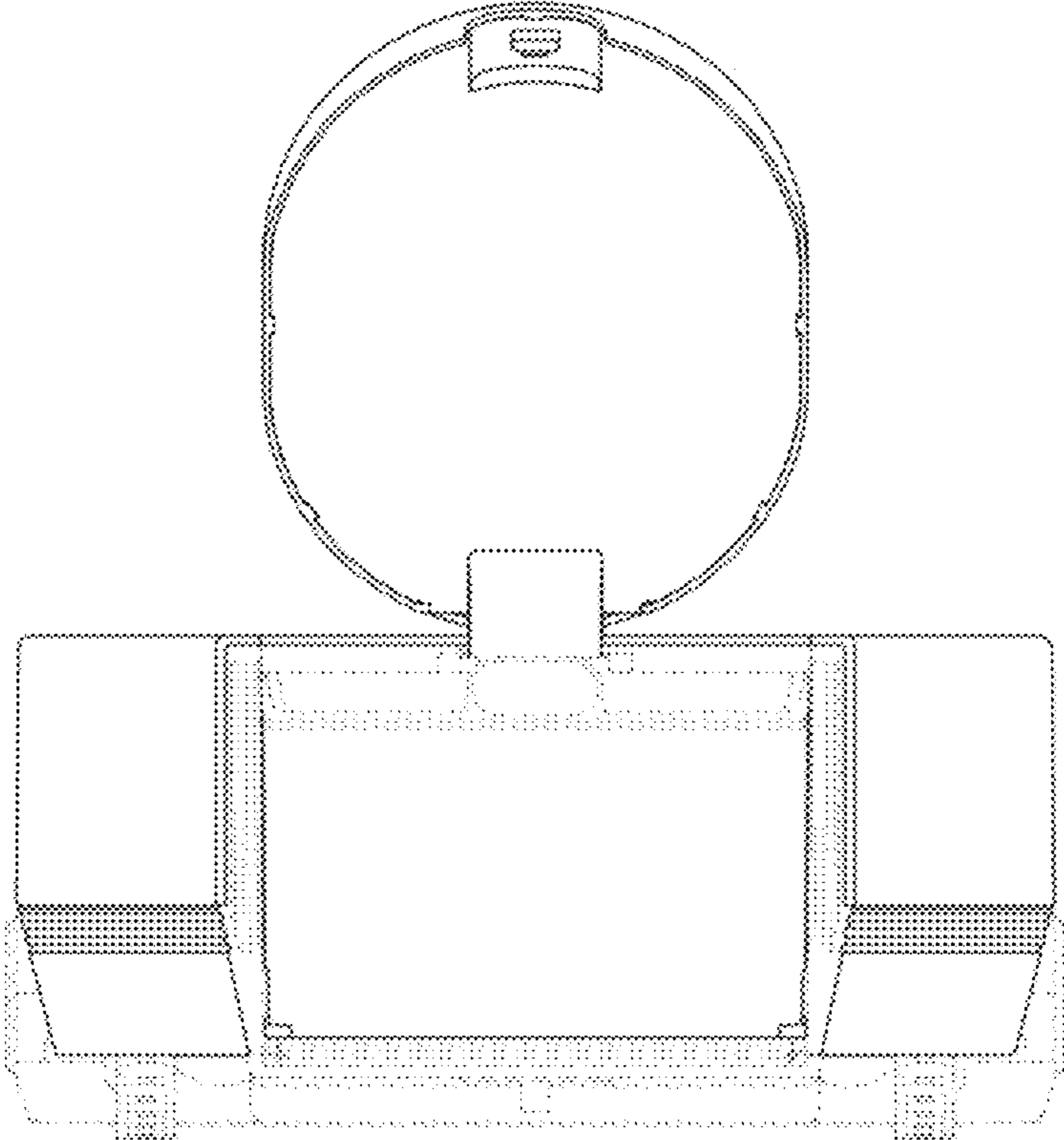


FIG. 4

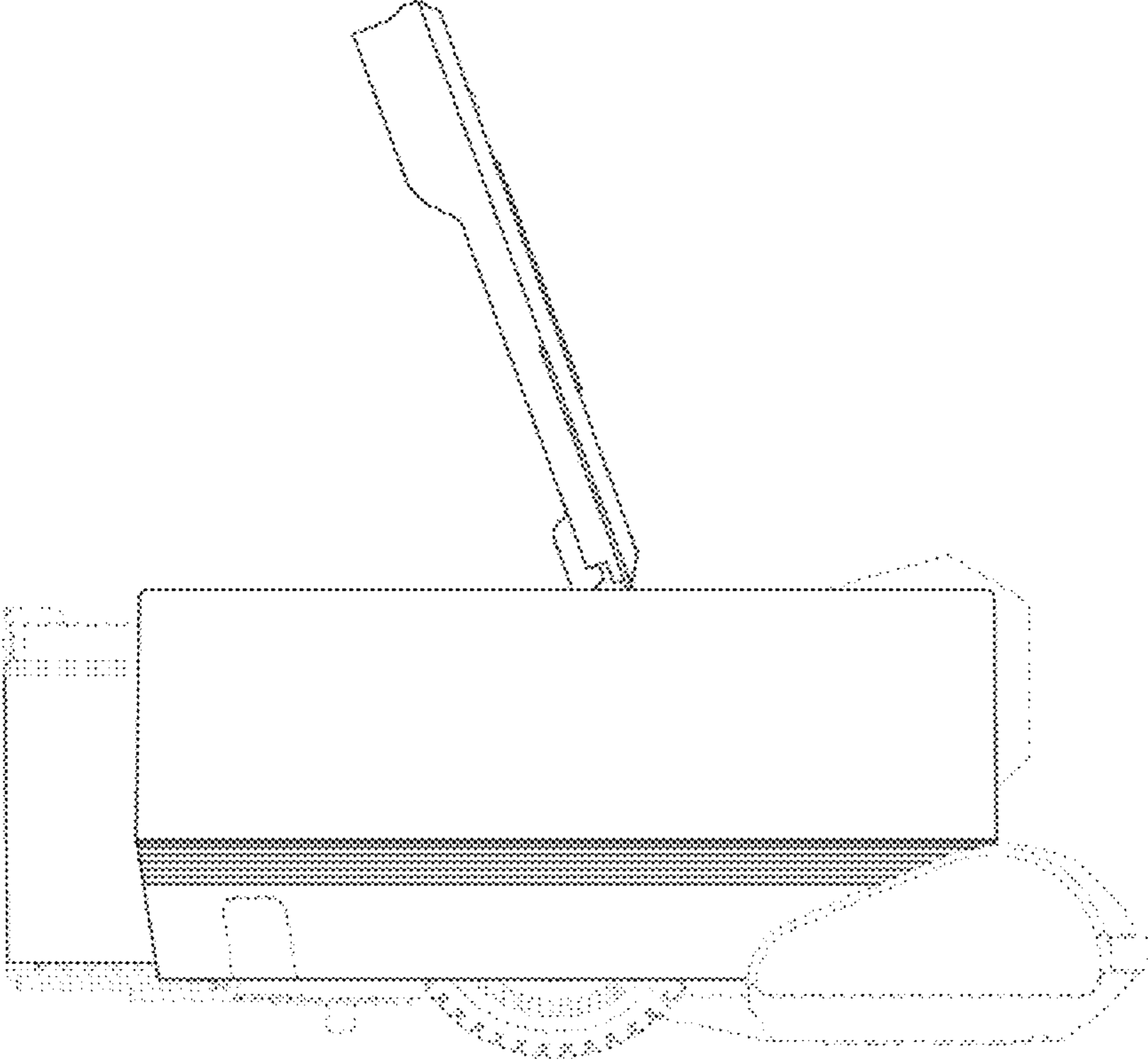


FIG. 5

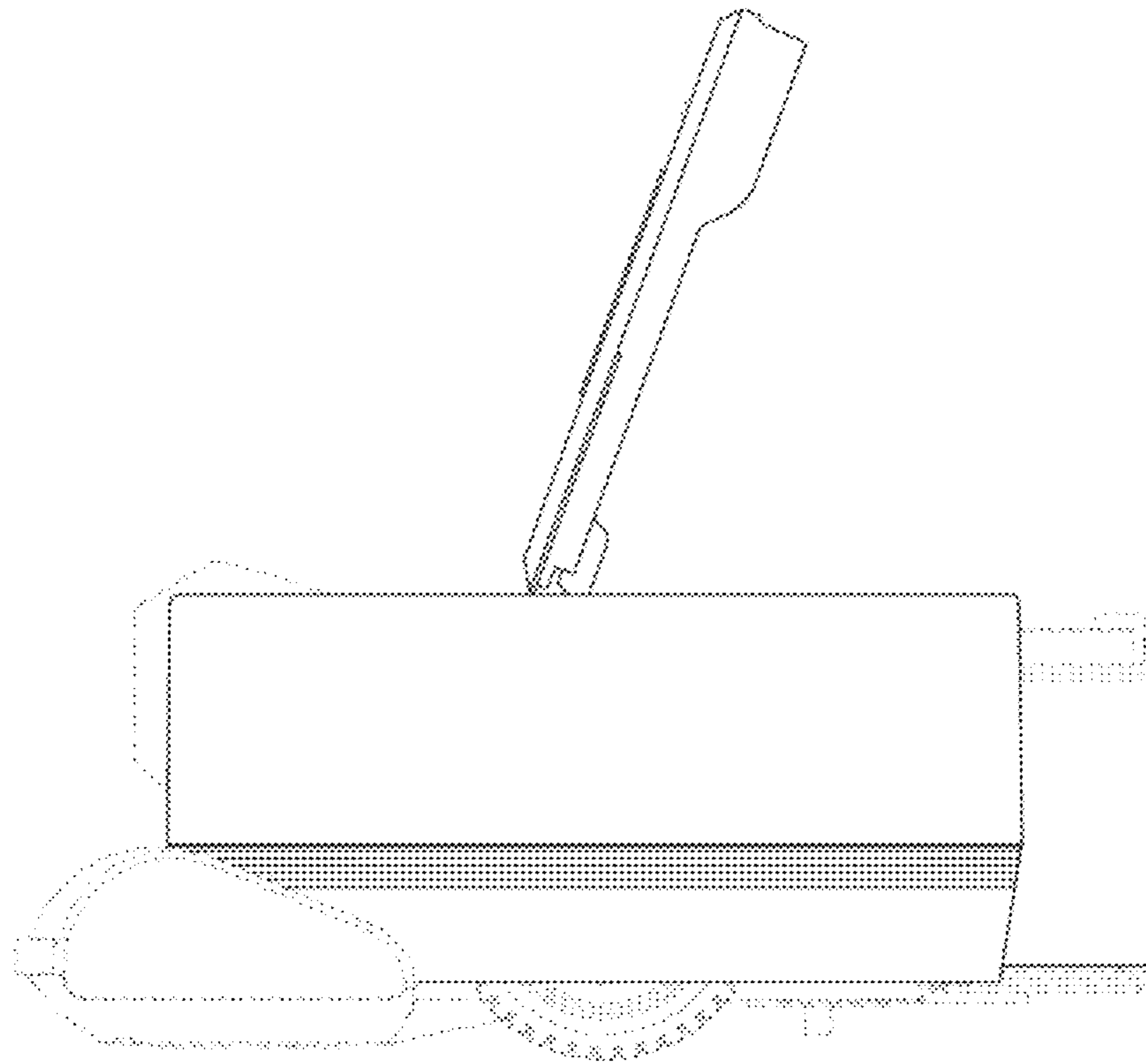


FIG. 6

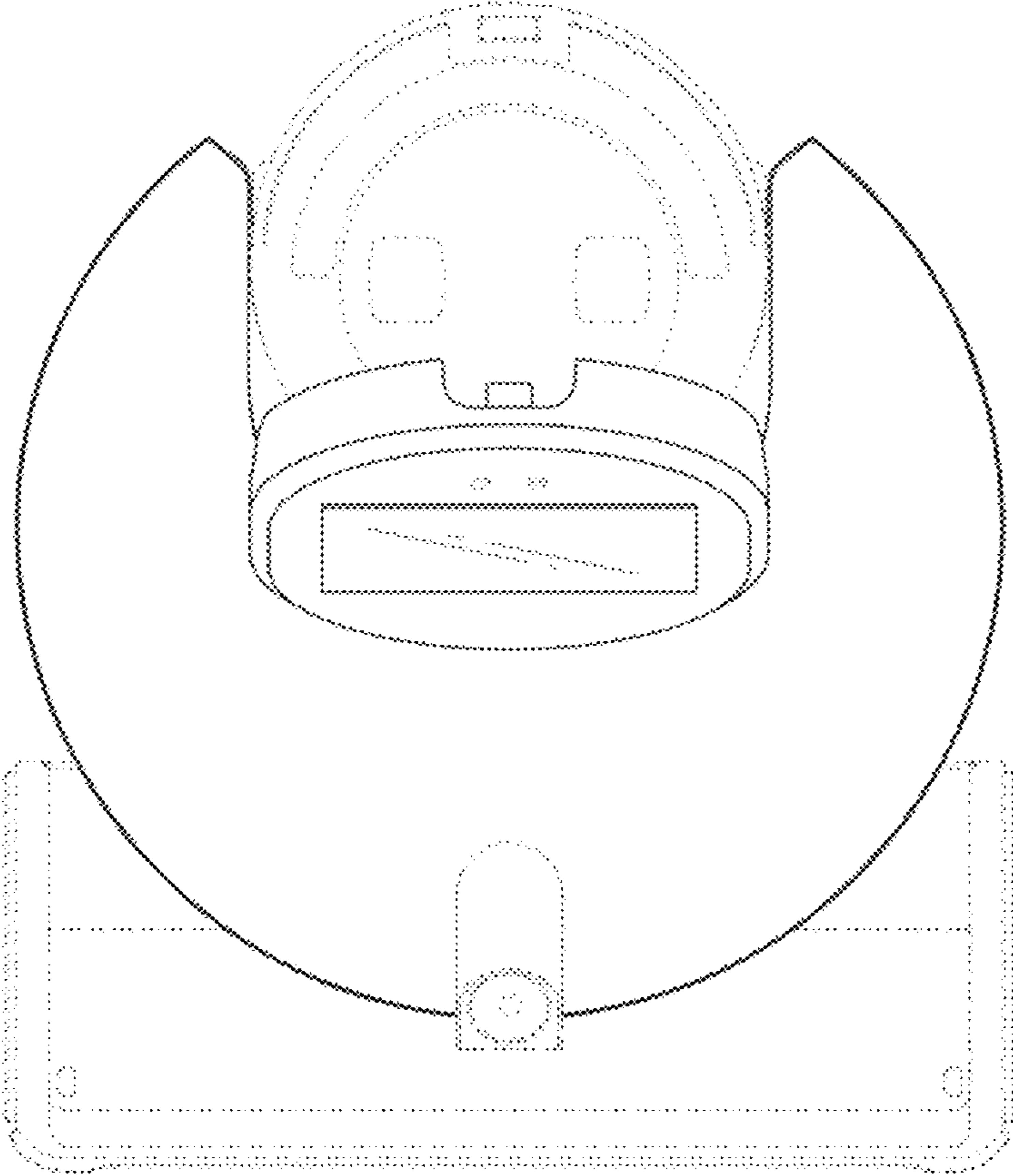




FIG. 7

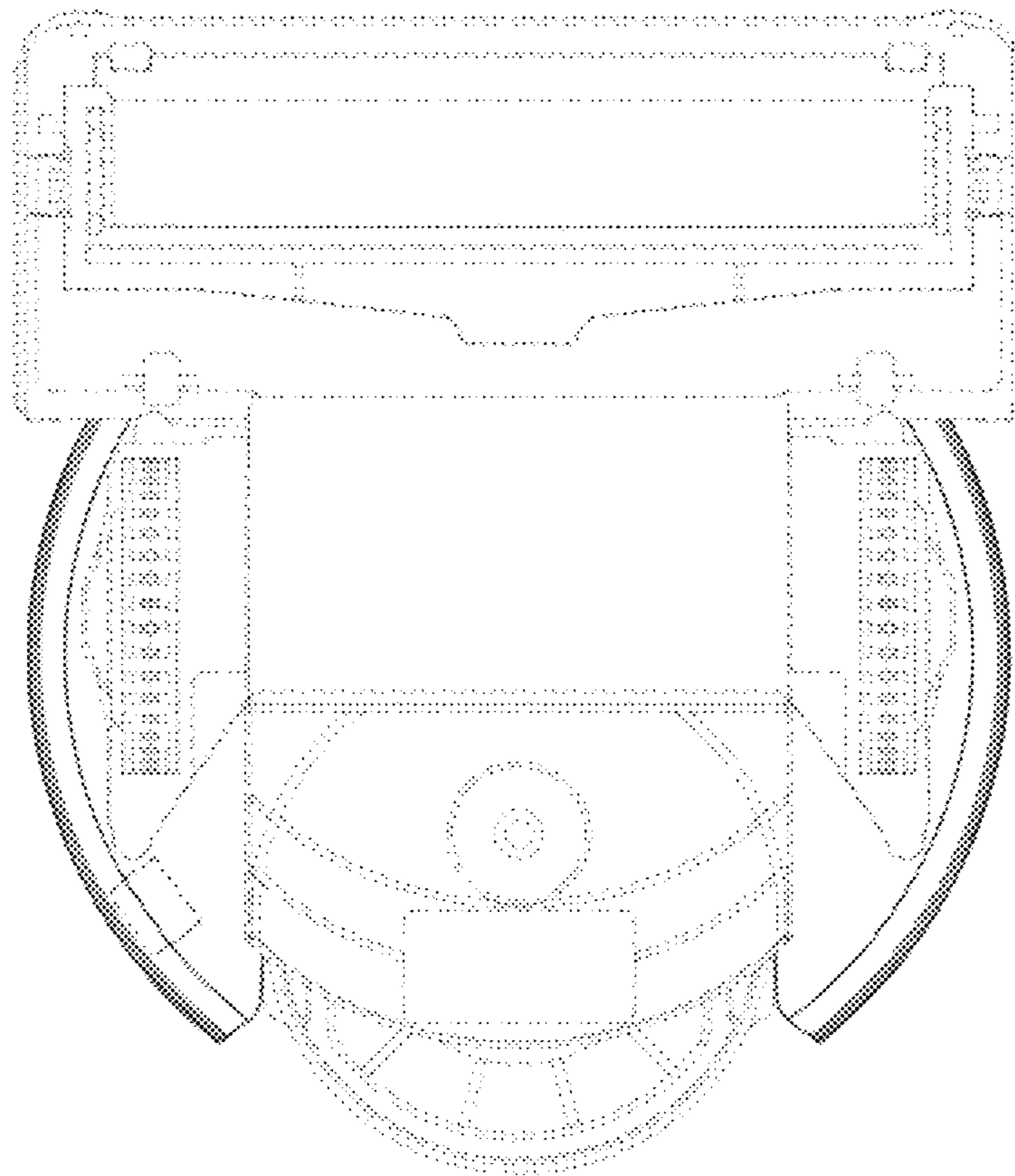


FIG. 8

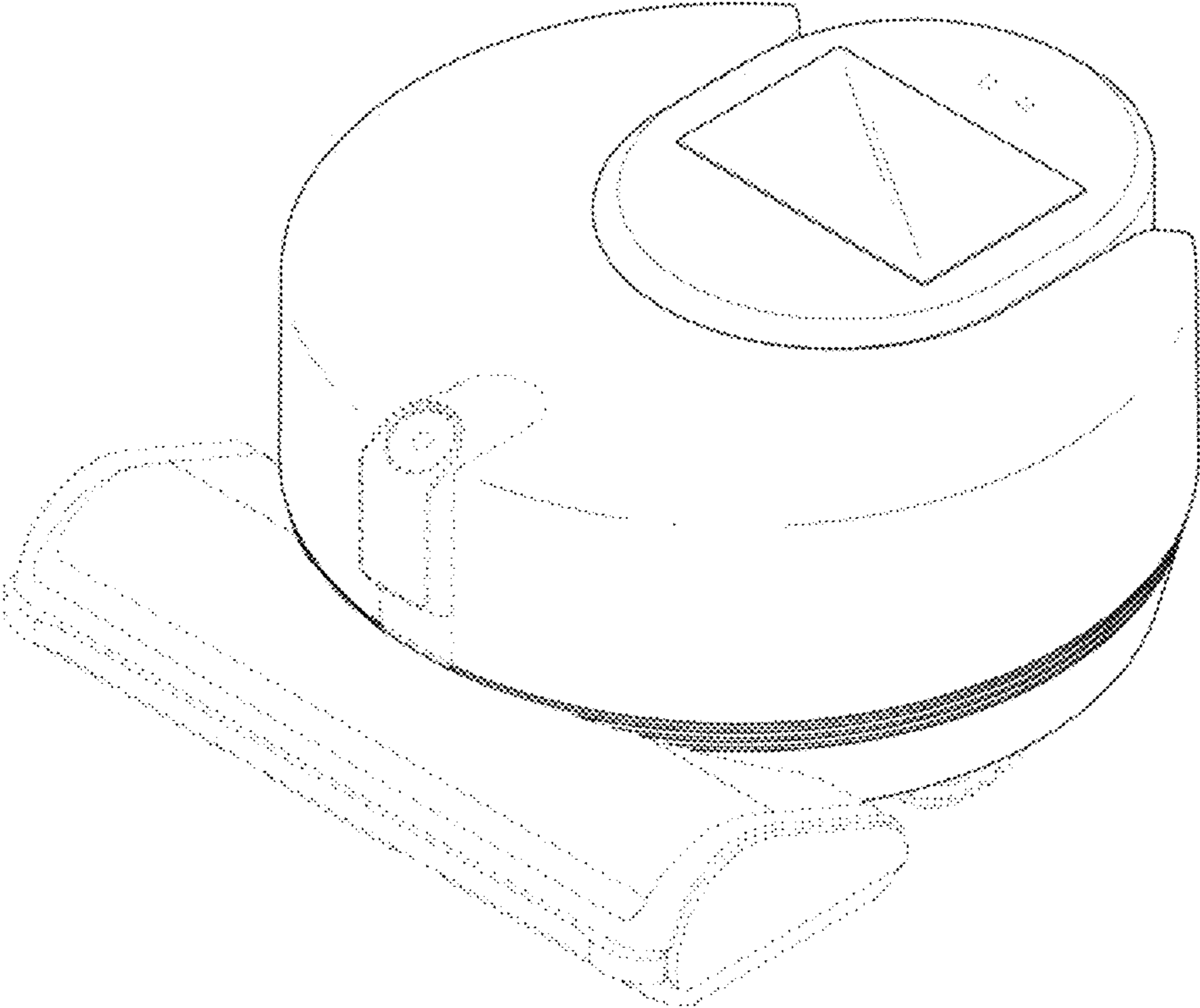


FIG. 9

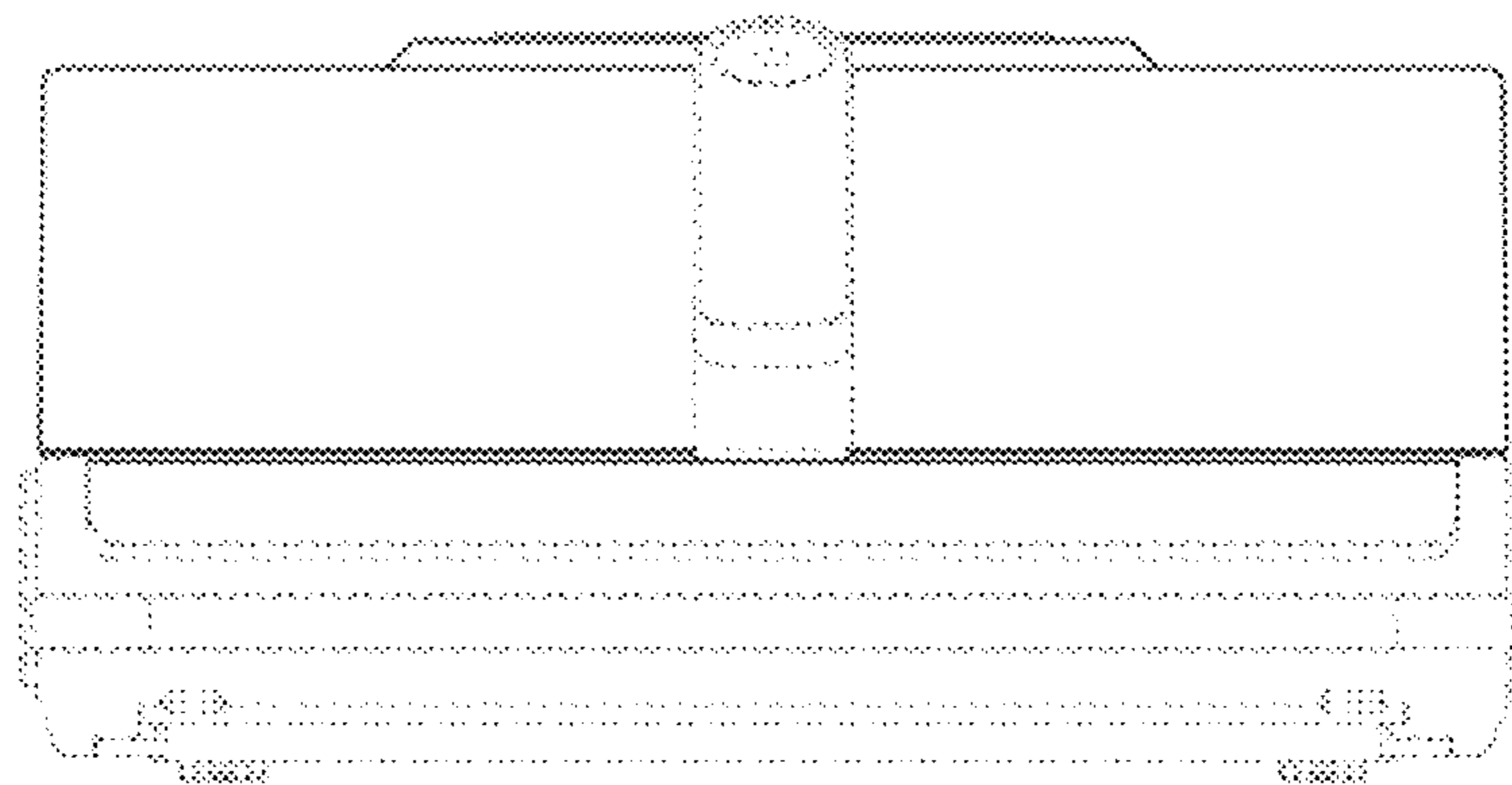


FIG. 10

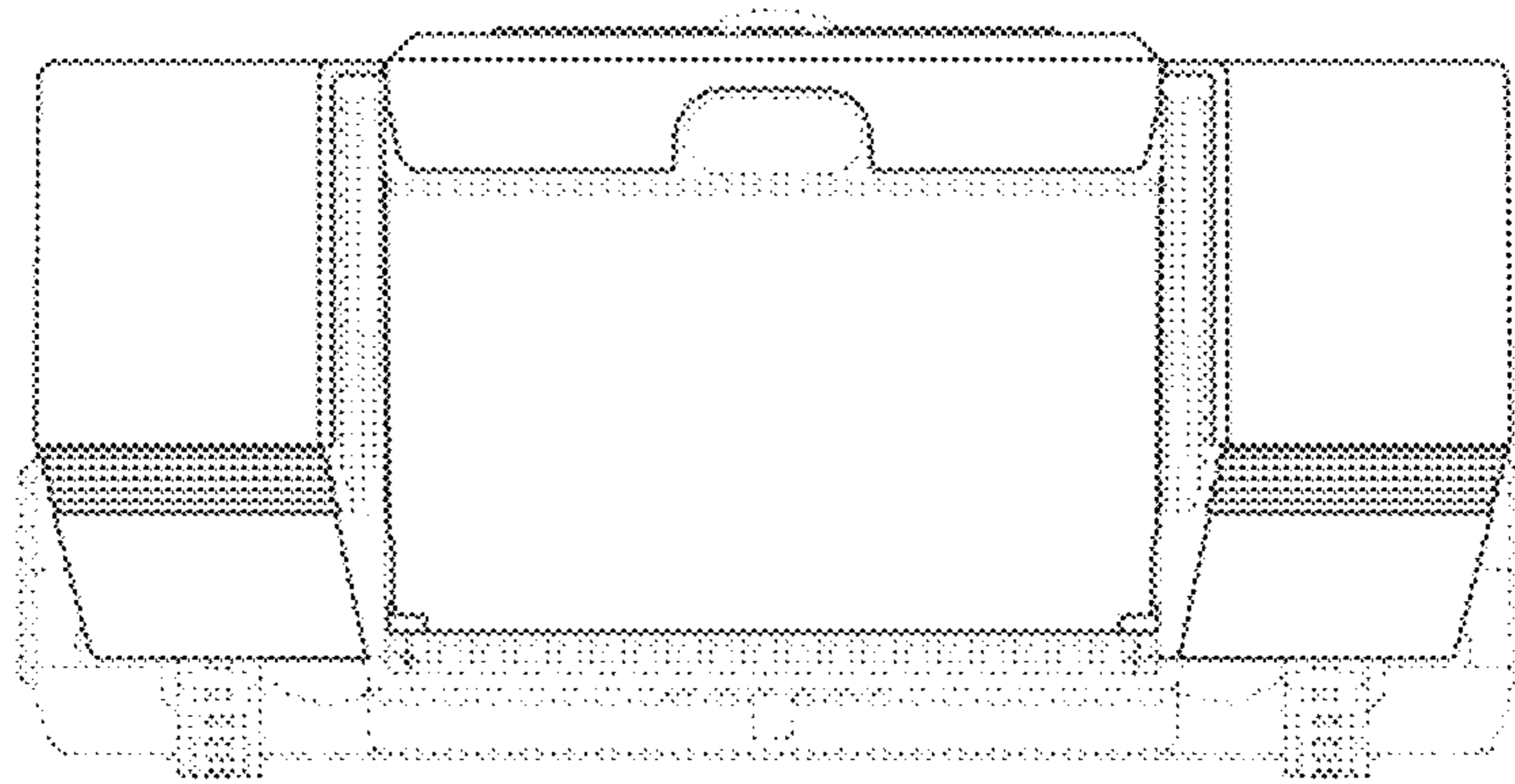


FIG. 11

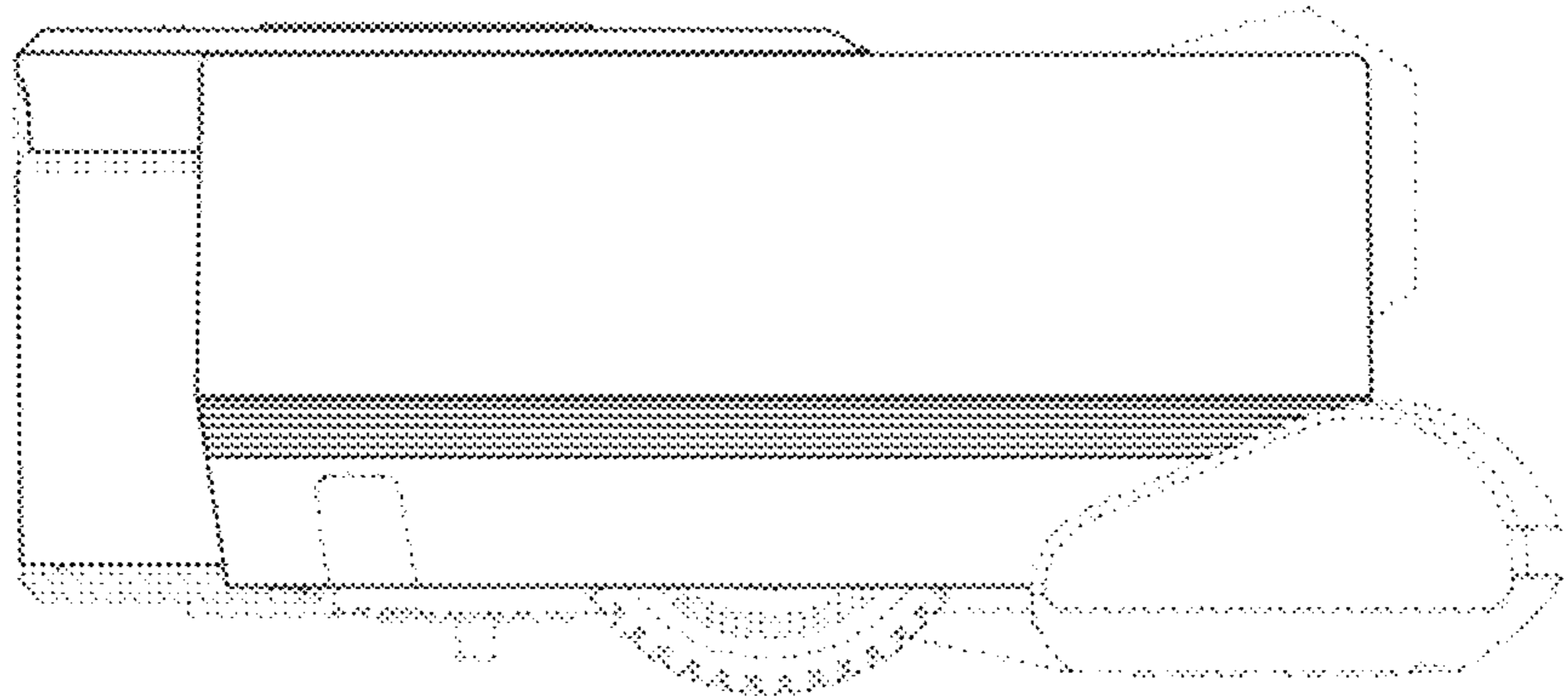


FIG. 12

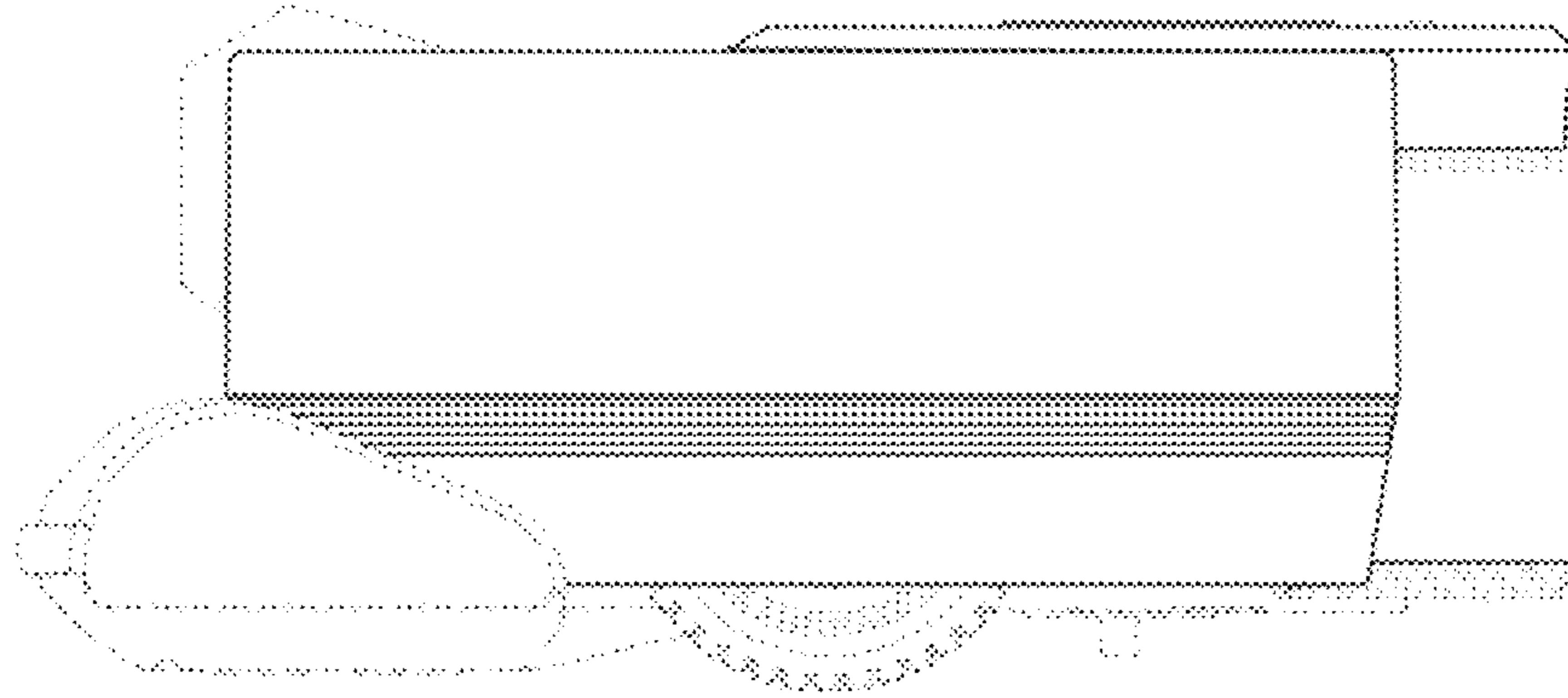


FIG. 13

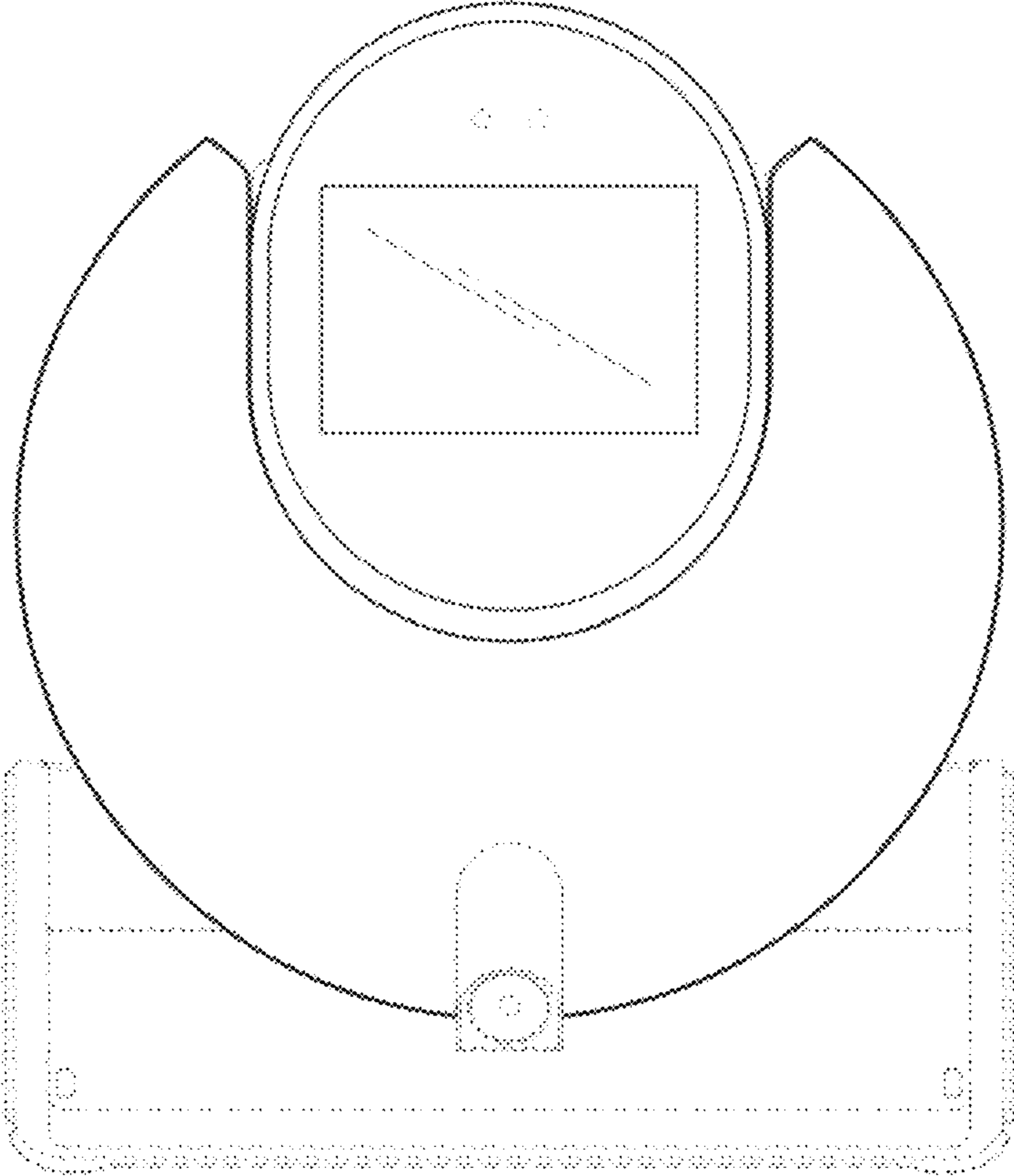


FIG. 14

