



US00D943226S

(12) **United States Design Patent**
Landberg et al.

(10) **Patent No.:** **US D943,226 S**

(45) **Date of Patent:** **** Feb. 8, 2022**

(54) **POWER GRINDER**

(71) Applicant: **Husqvarna AB**, Huskvarna (SE)

(72) Inventors: **Gustav Landberg**, Trosa (SE); **Patrik Almqvist**, Årsta (SE); **Tor Sigurdsson**, Stockholm (SE)

(73) Assignee: **Husqvarna AB**, Huskvarna (SE)

(**) Term: **15 Years**

(21) Appl. No.: **29/720,870**

(22) Filed: **Jan. 16, 2020**

(30) **Foreign Application Priority Data**

Sep. 4, 2019 (EM) 006813192-0003

(51) **LOC (13) Cl.** **15-05**

(52) **U.S. Cl.**
USPC **D32/15**

(58) **Field of Classification Search**
USPC D8/62; D15/124, 125, 126, 129, 199;
D32/14, 15, 20, 35
CPC A47L 7/0028; A47L 11/03; A47L 11/4038;
A47L 11/305; A47L 11/085; A47L 11/34;
A47L 11/14
See application file for complete search history.

(56) **References Cited**

U.S. PATENT DOCUMENTS

2,205,492 A * 6/1940 Reid B24B 7/18
451/350
D131,286 S * 2/1942 Pond D32/15
D219,234 S * 11/1970 Schucker D32/15

D284,413 S * 6/1986 Marshall D32/15
D297,778 S * 9/1988 Lallerstedt D32/15
D332,158 S * 12/1992 Bothun D32/15
D375,591 S * 11/1996 Fryoux D32/15
D620,509 S * 7/2010 Hauenstein D15/124
D732,764 S * 6/2015 Kennard D32/15
D756,576 S * 5/2016 Wang D32/15
9,862,067 B2 * 1/2018 Winterfjord A47L 11/40
D881,492 S * 4/2020 Kacker D32/15
10,842,337 B2 * 11/2020 Persson B24B 23/02
D903,960 S * 12/2020 Yang D32/15
D904,705 S * 12/2020 Thatcher D32/15
10,882,554 B2 * 1/2021 Mandeville B62D 11/08
10,986,782 B2 * 4/2021 Fisher B62D 11/04

* cited by examiner

Primary Examiner — Michael C Stout

Assistant Examiner — Fritzgerald L Butac

(74) *Attorney, Agent, or Firm* — Burr & Forman, LLP

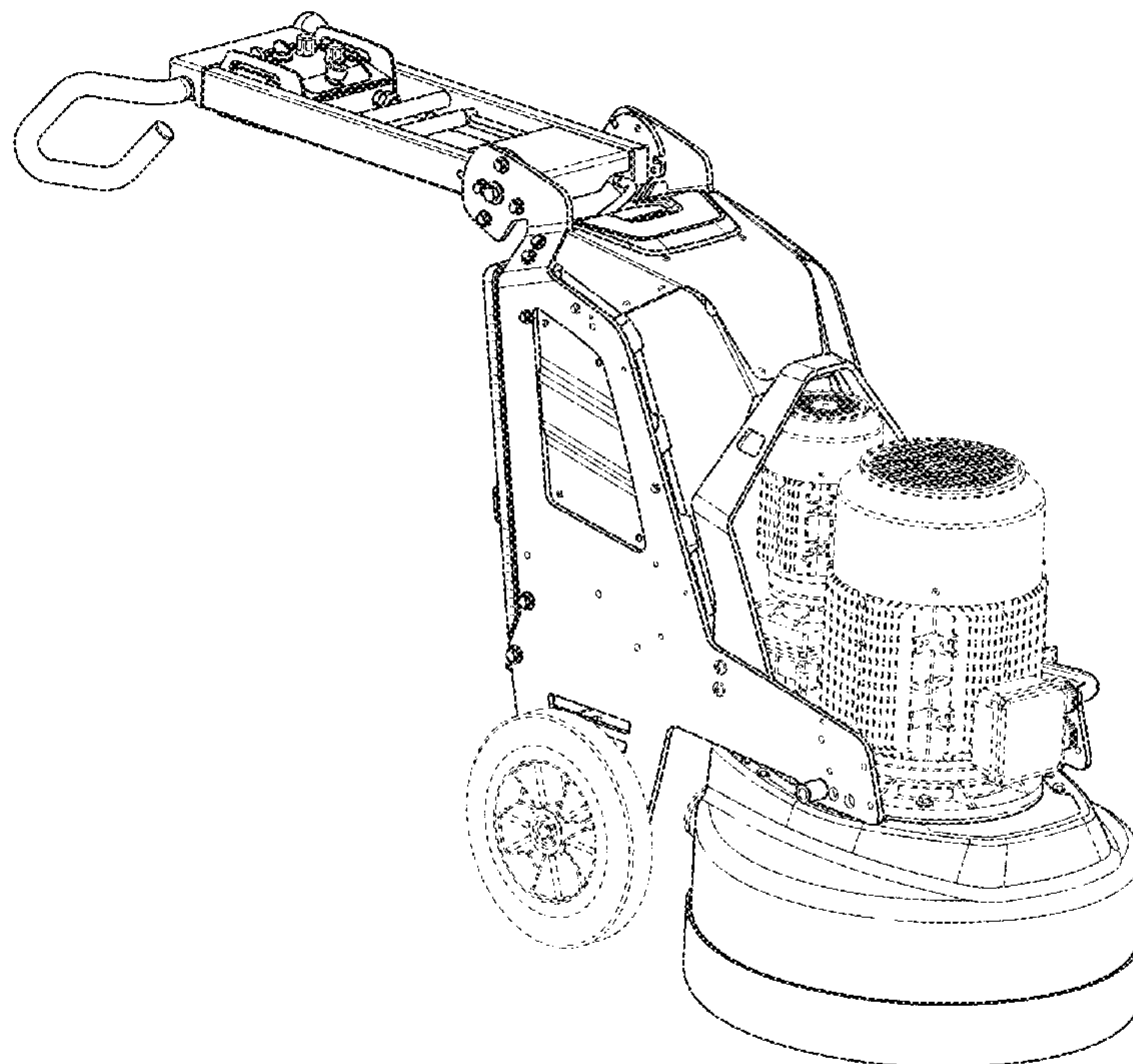
(57) **CLAIM**

The ornamental design for a power grinder, as shown and described.

DESCRIPTION

FIG. 1 is a perspective view of a power grinder, according to the present design;
FIG. 2 is a front view of the power grinder of FIG. 1;
FIG. 3 is a rear view of the power grinder of FIG. 1;
FIG. 4 is a top view of the power grinder of FIG. 1;
FIG. 5 is a bottom view of the power grinder of FIG. 1;
FIG. 6 is a left side view of the power grinder of FIG. 1; and,
FIG. 7 is a right side view of the power grinder of FIG. 1.
The broken lines show portions of a power grinder which form no part of the claimed design.

1 Claim, 7 Drawing Sheets



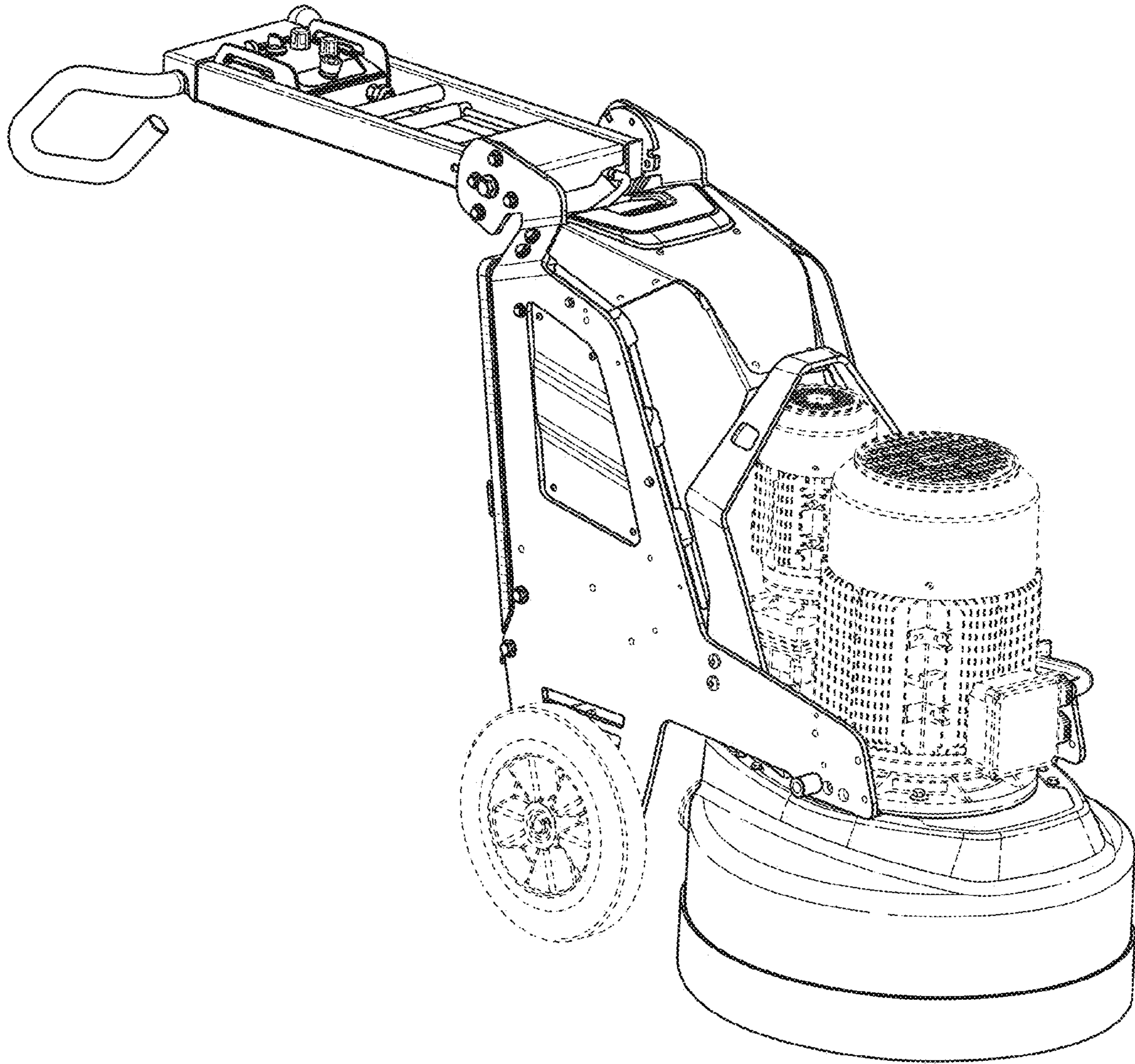


FIG. 1

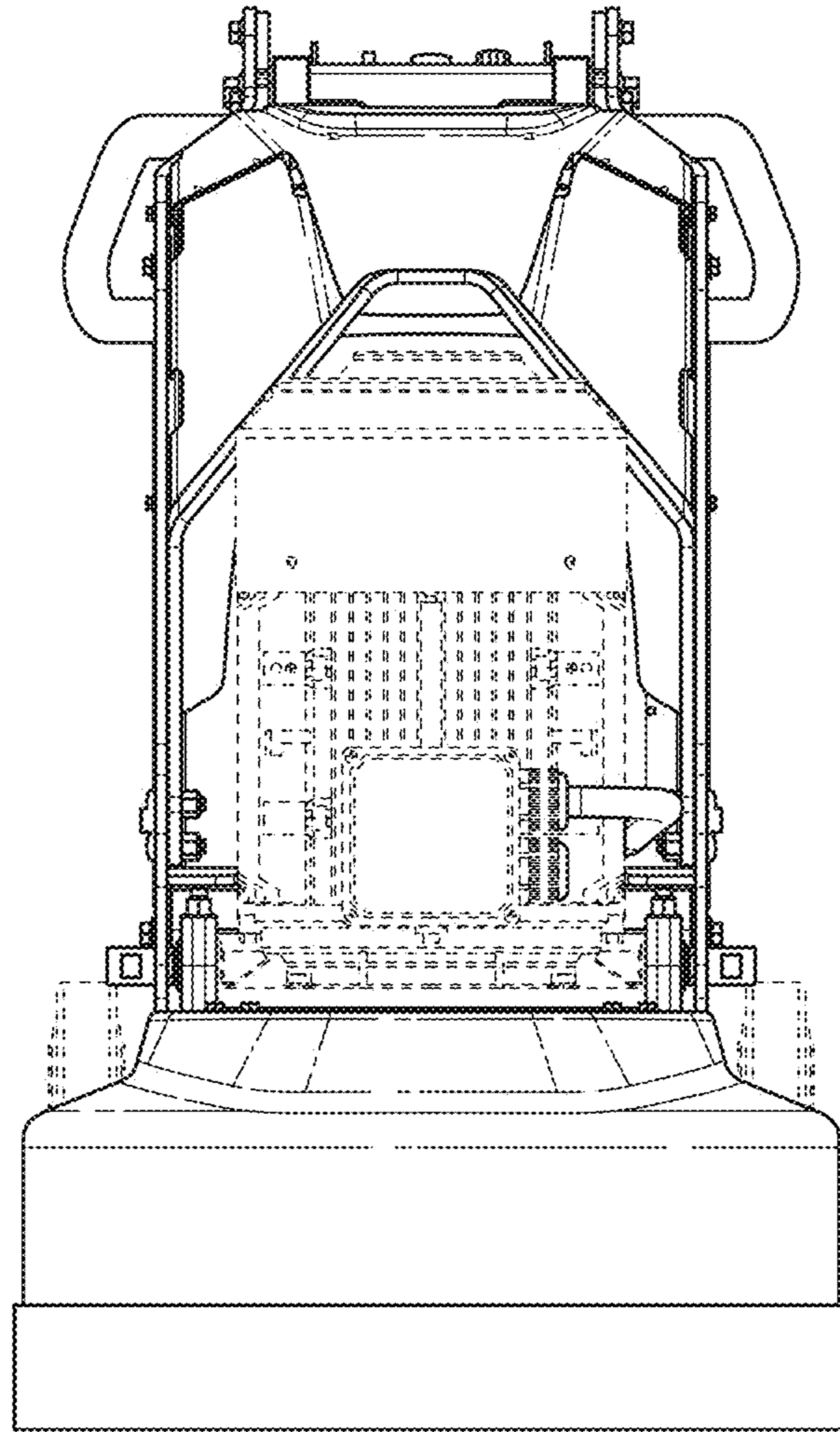


FIG. 2

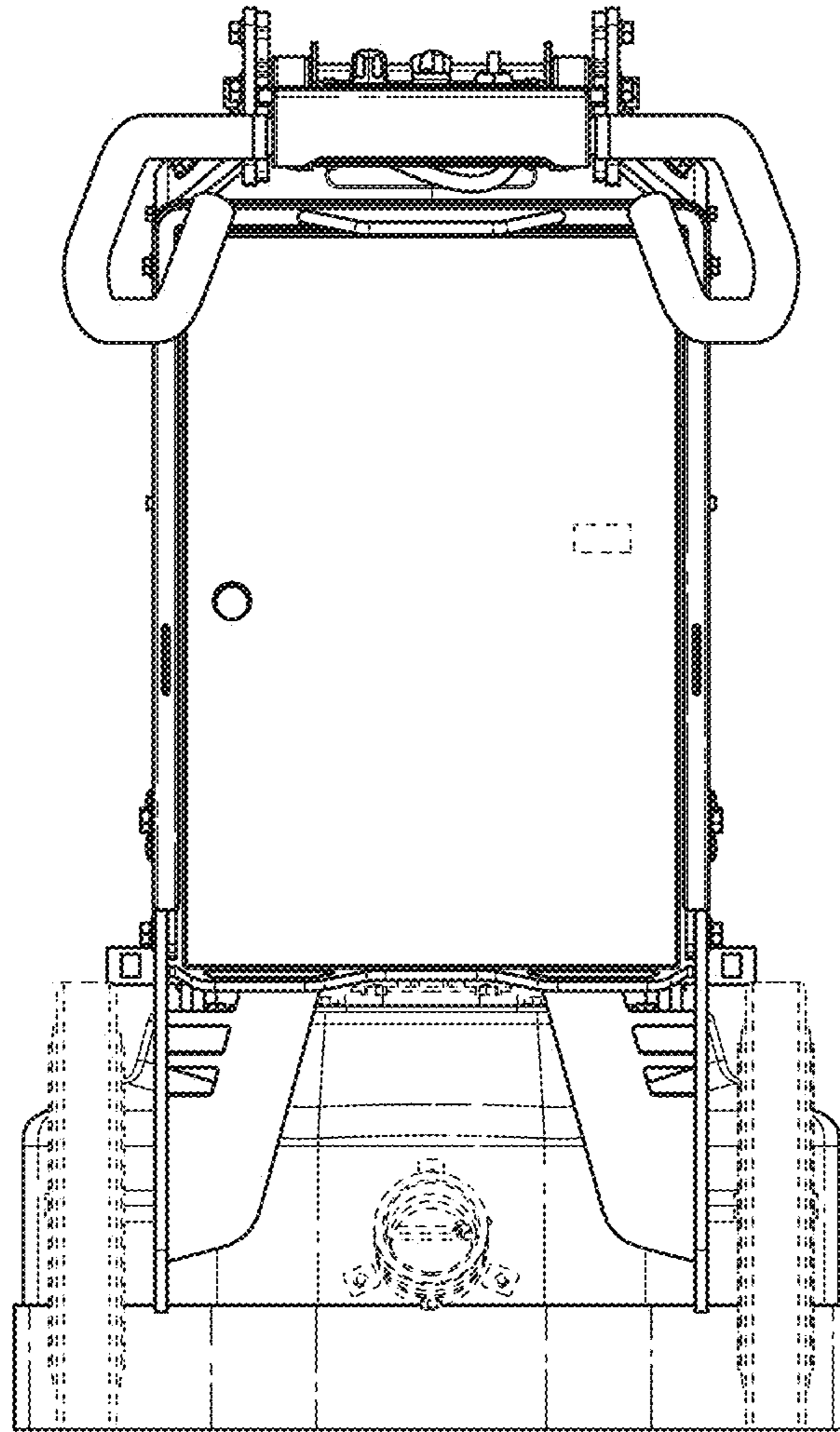


FIG. 3

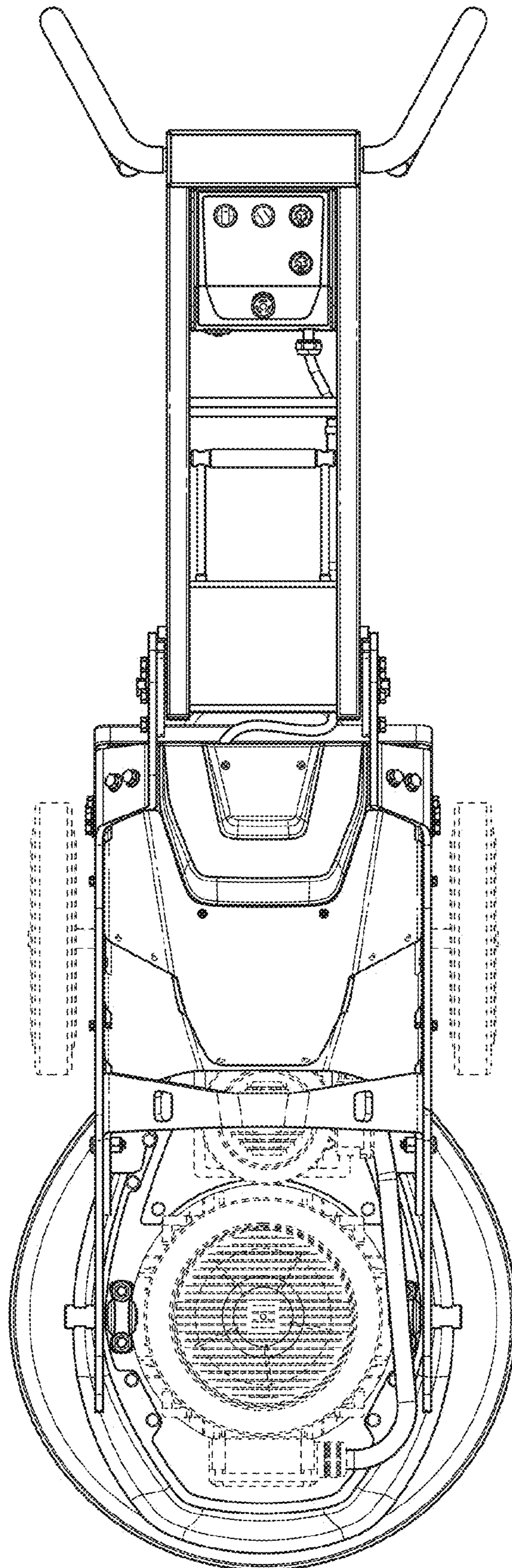


FIG. 4

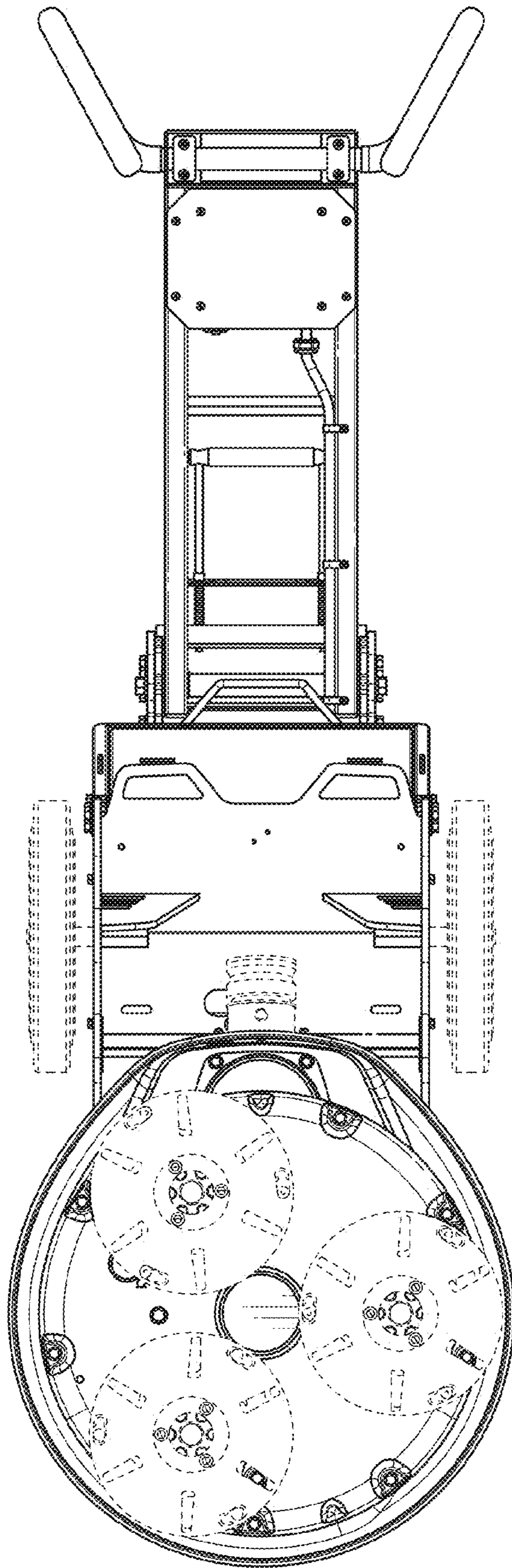


FIG. 5

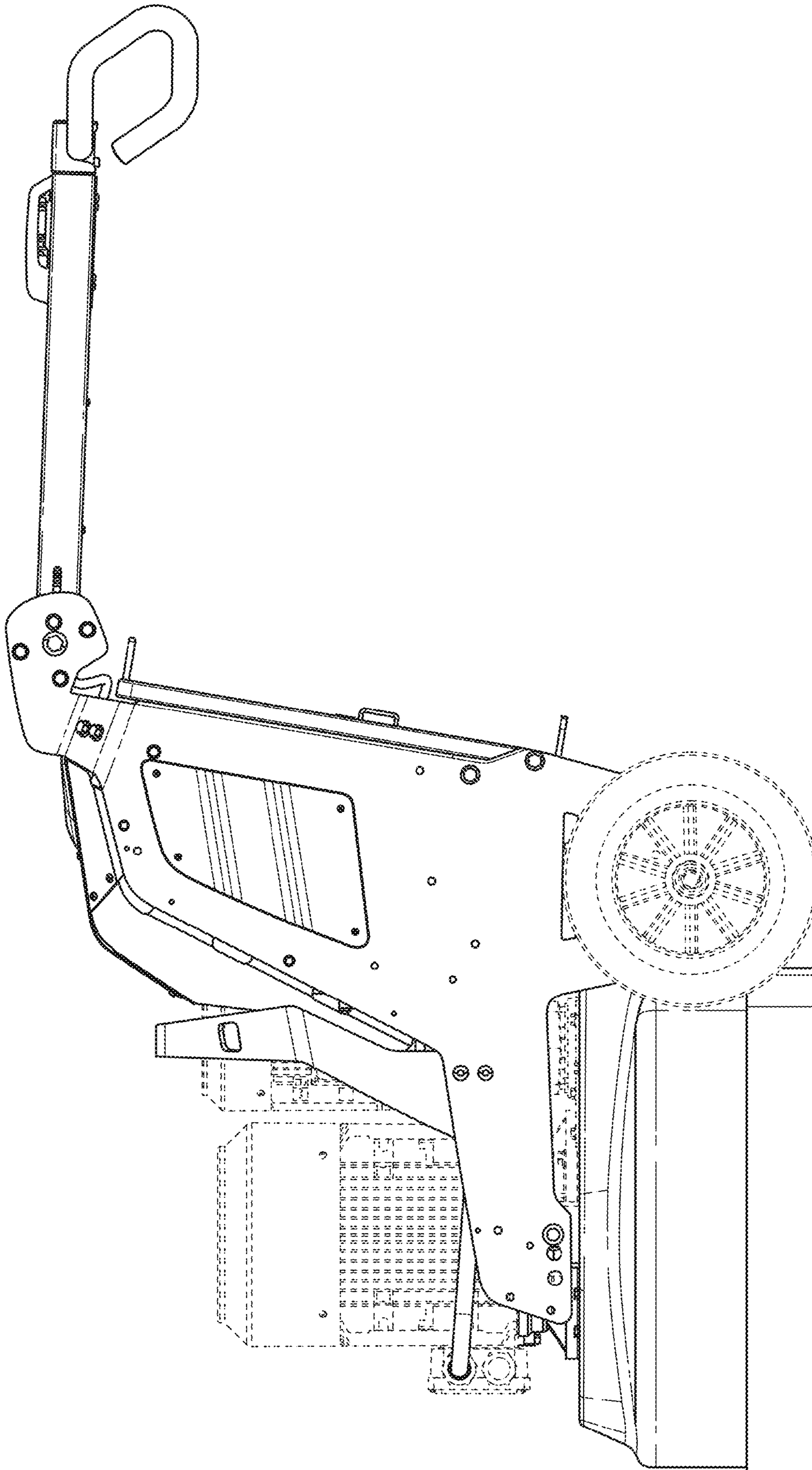


FIG. 6

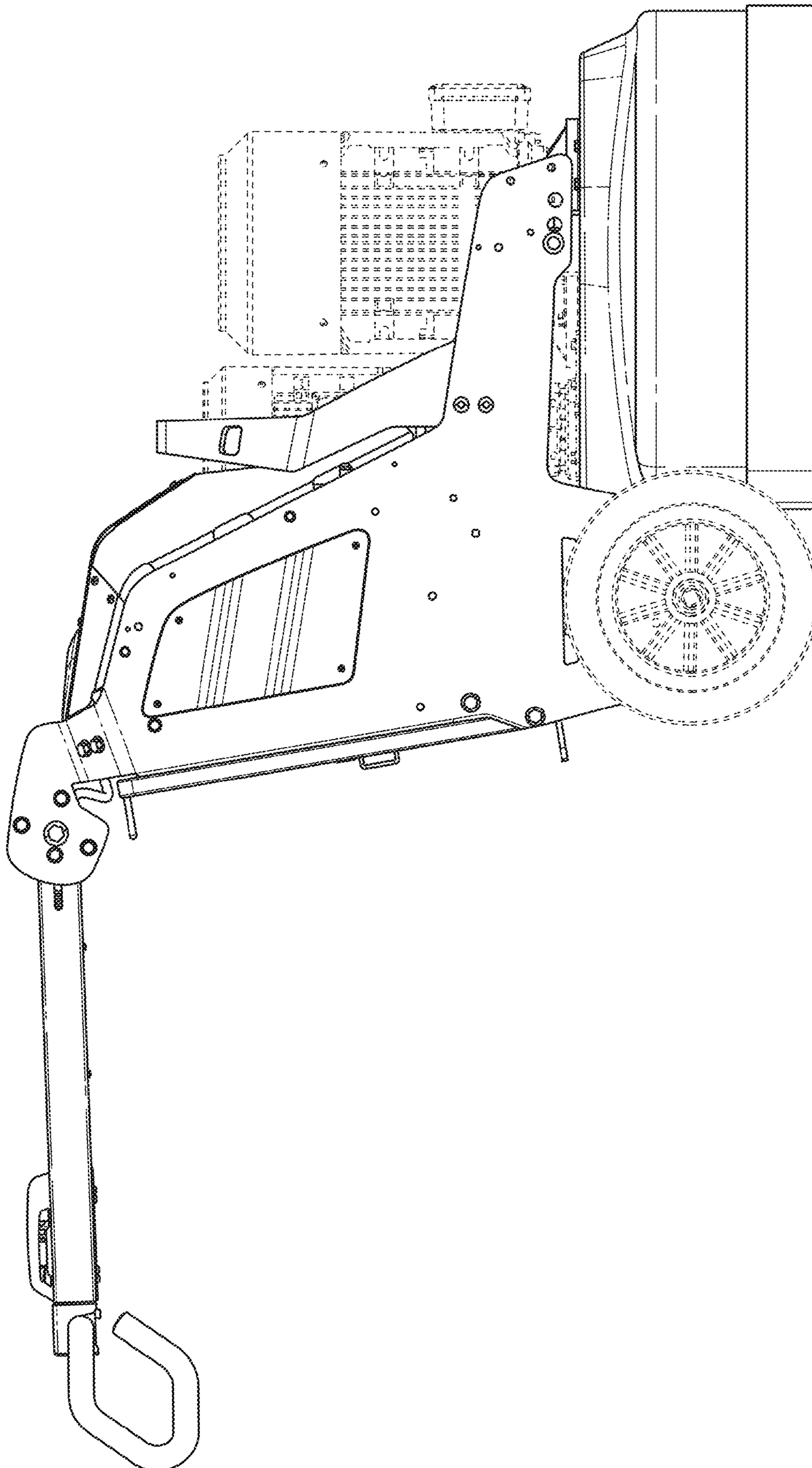


FIG. 7