



US00D943224S

(12) **United States Design Patent** (10) **Patent No.:** **US D943,224 S**
Zhang (45) **Date of Patent:** **** Feb. 8, 2022**

(54) **SHOE DRYER** D573,340 S * 7/2008 Shtyn D2/979
D653,007 S * 1/2012 Beckett D32/8
(71) Applicant: **Zuban Intelligent Technology** D757,953 S * 5/2016 Philips D24/200
(Nantong) Co., Ltd., Rugao (CN) D913,617 S * 3/2021 Santiago D32/35
2007/0277391 A1* 12/2007 Beckett A47L 23/205
34/443
(72) Inventor: **Hongcheng Zhang**, Rugao (CN) 2011/0167665 A1* 7/2011 Peet F26B 9/003
34/218
(73) Assignee: **ZUBAN INTELLIGENT TECHNOLOGY (NANTONG) CO., LTD.**, Rugao (CN)

(**) Term: **15 Years**

(21) Appl. No.: **29/720,410**

(22) Filed: **Jan. 13, 2020**

(51) **LOC (13) Cl.** **15-05**

(52) **U.S. Cl.**
USPC **D32/8**

(58) **Field of Classification Search**
USPC D2/979; D24/200; D32/1, 8, 14.1, 17,
D32/35, 58, 59
CPC A47L 23/205; A47L 23/20; F26B 9/003
See application file for complete search history.

(56) **References Cited**

U.S. PATENT DOCUMENTS

3,417,482 A * 12/1968 Peet A47L 23/20
34/104
4,517,443 A * 5/1985 Dollst A47L 23/205
219/215
D319,121 S * 8/1991 Muller D32/17
D350,633 S * 9/1994 Wong D32/59
5,720,108 A * 2/1998 Rice A47L 23/205
34/104
D496,502 S * 9/2004 Cheng D32/1
D519,255 S * 4/2006 Peet D32/59
D552,809 S * 10/2007 Linsbichler D32/14.1

OTHER PUBLICATIONS

https://www.amazon.com/Shoe-Dryer-Deodorizer-Timer-Adult-Foot-Shaped/dp/B08V4PRCPG/ref=zg_bs_3743411_38 (Year: 2021).*

* cited by examiner

Primary Examiner — Michelle E. Wilson
Assistant Examiner — Richard E Yenchesky

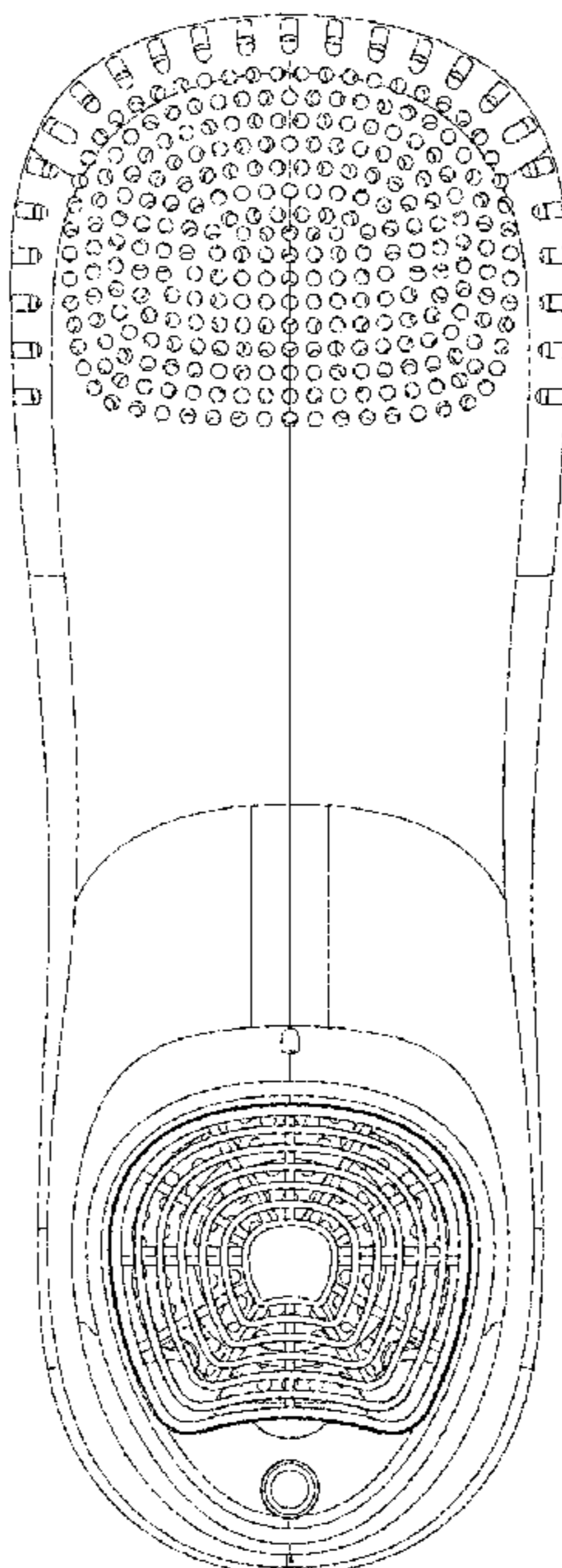
(57) **CLAIM**

The ornamental design for a shoe dryer, as shown and described.

DESCRIPTION

FIG. 1 is a front elevational view of a shoe dryer showing my new design;
FIG. 2 is a rear elevational view thereof;
FIG. 3 is a left side view thereof;
FIG. 4 is a right side view thereof;
FIG. 5 is a top plan view thereof;
FIG. 6 is a bottom plan view thereof; and,
FIG. 7 is a perspective view thereof.

1 Claim, 7 Drawing Sheets



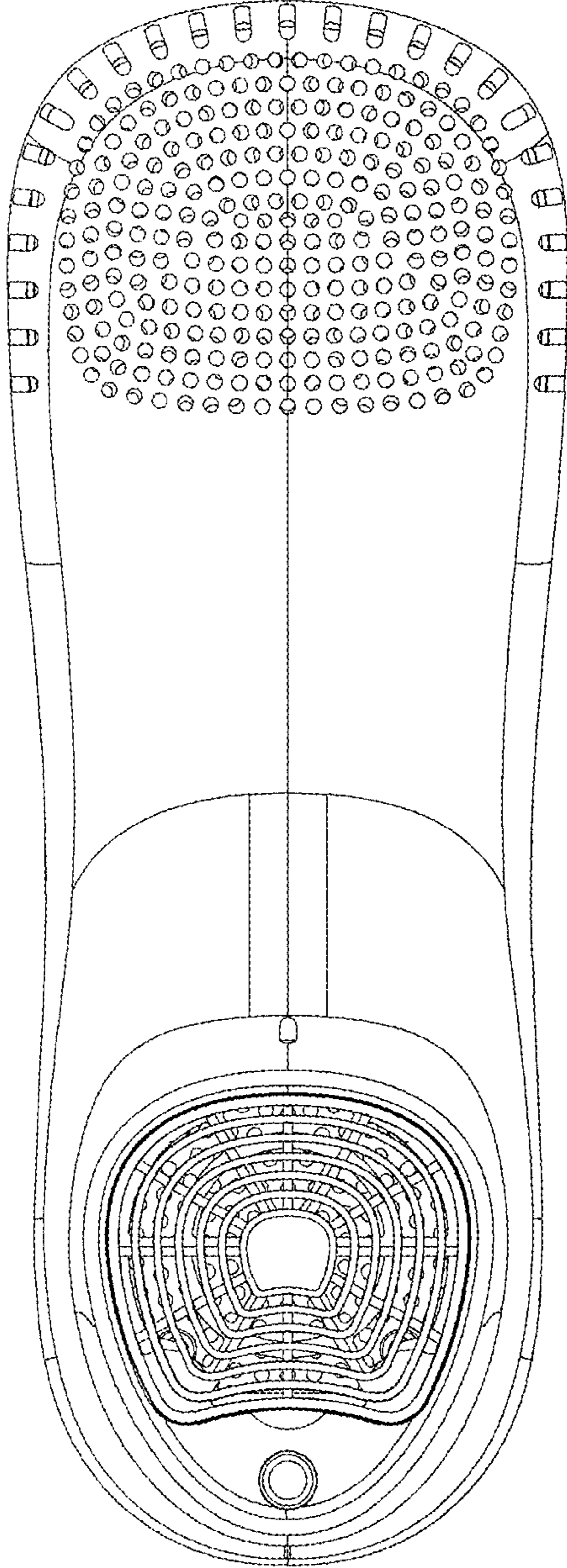


FIG. 1

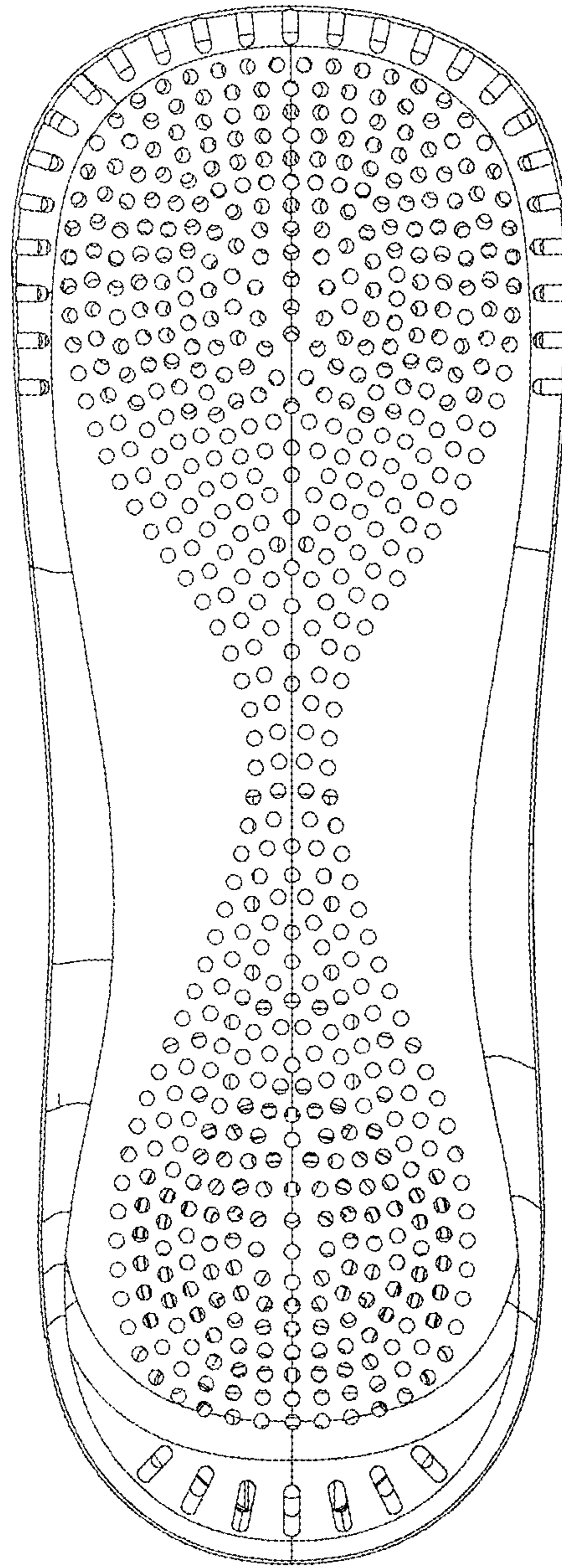


FIG. 2

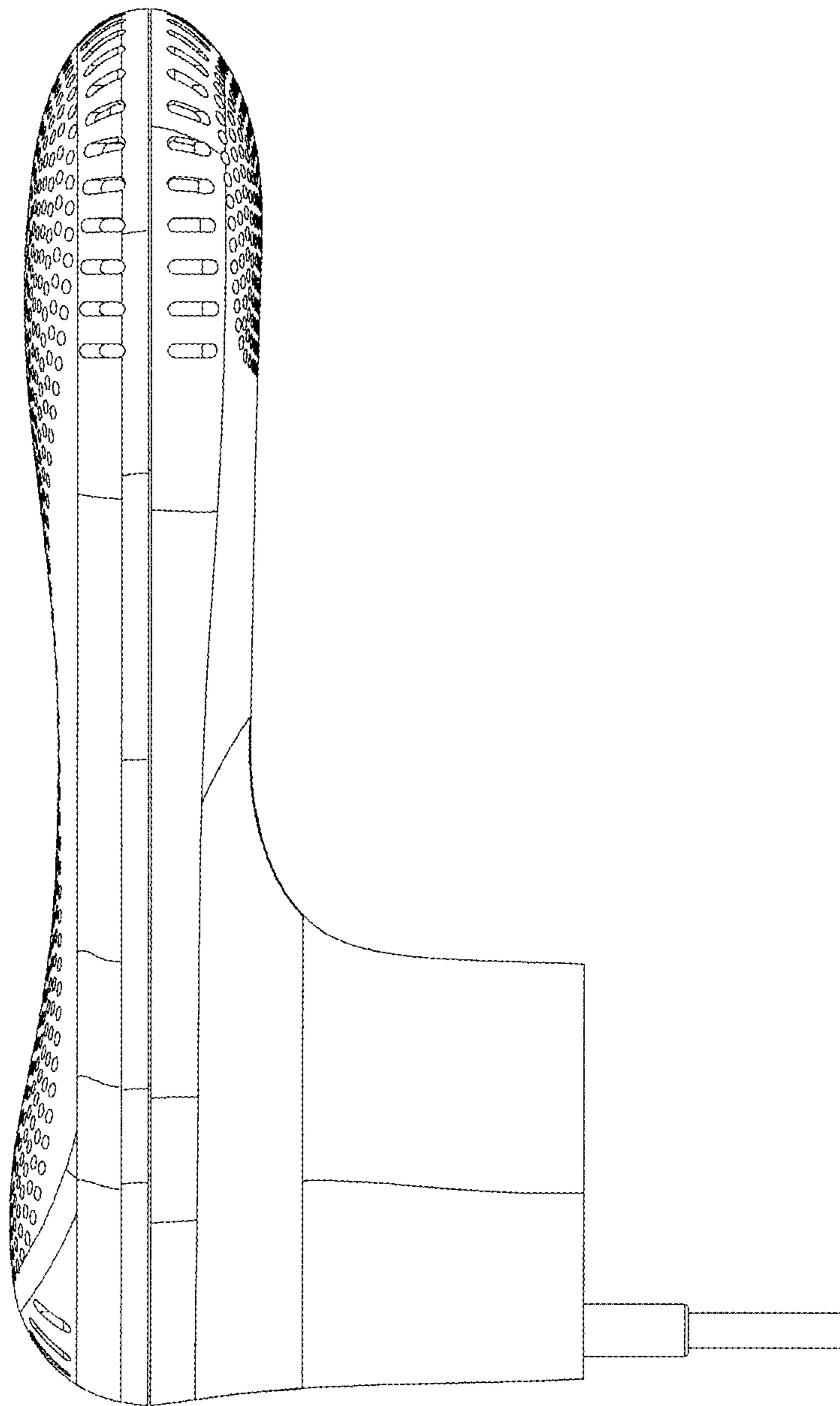


FIG. 3

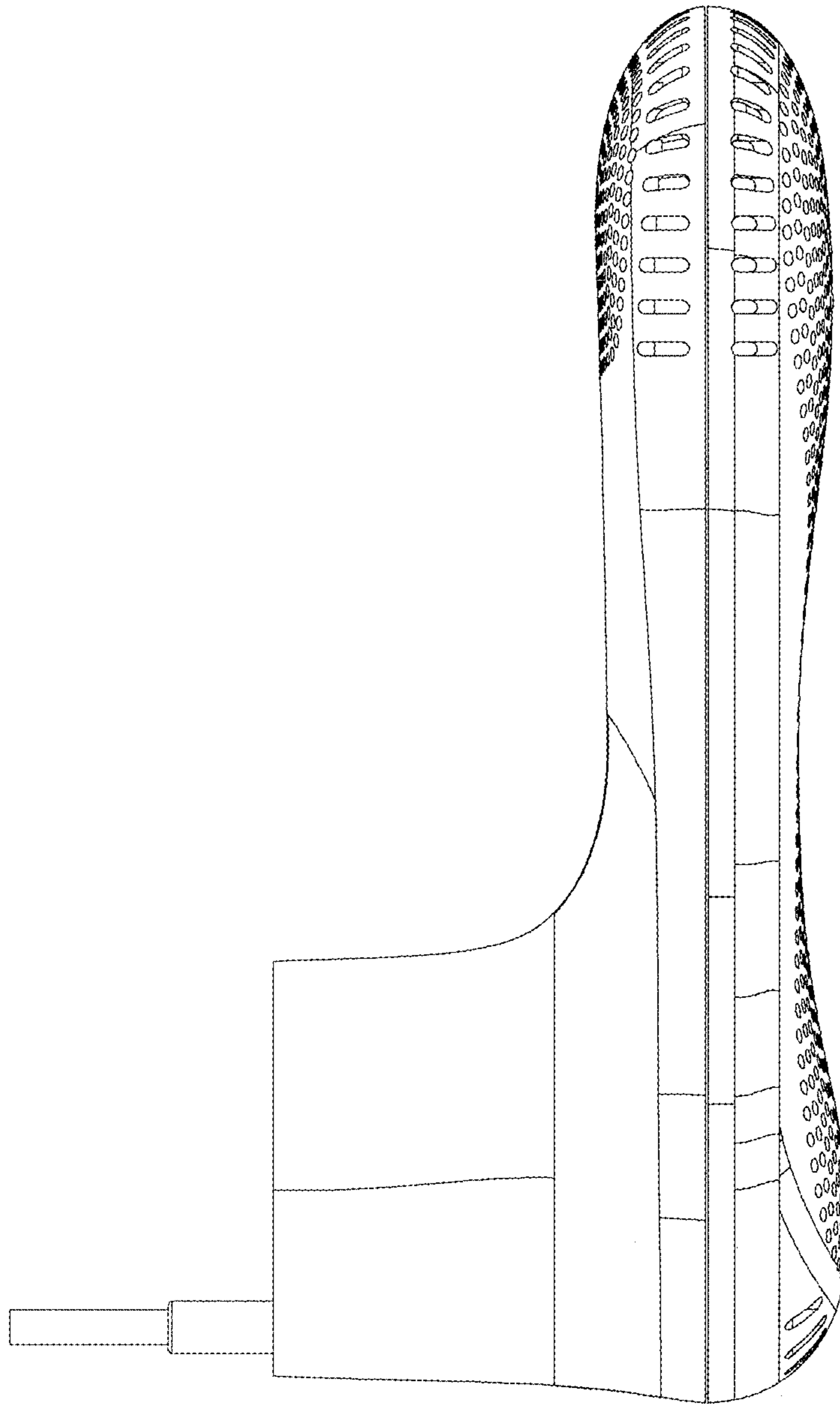


FIG. 4

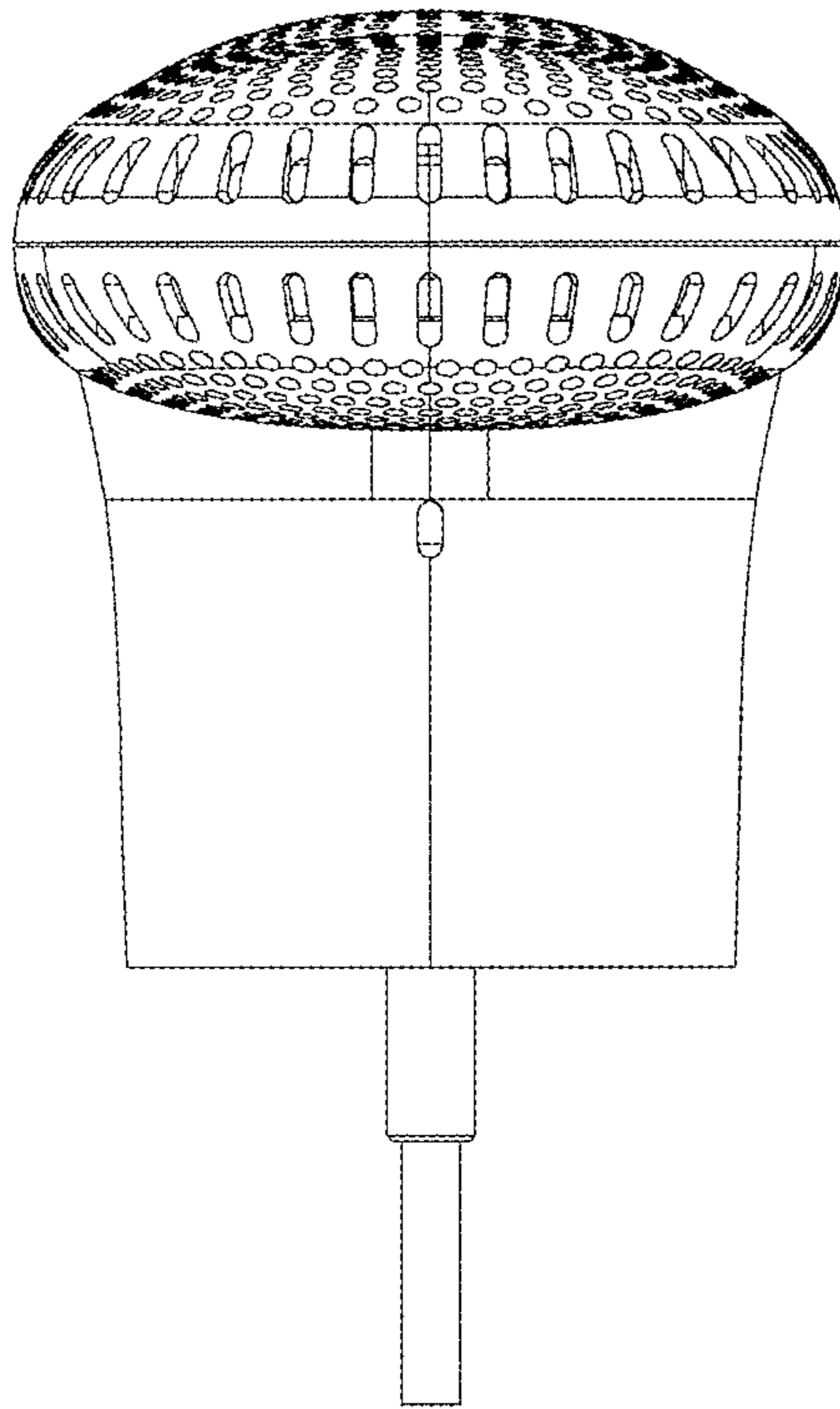


FIG. 5

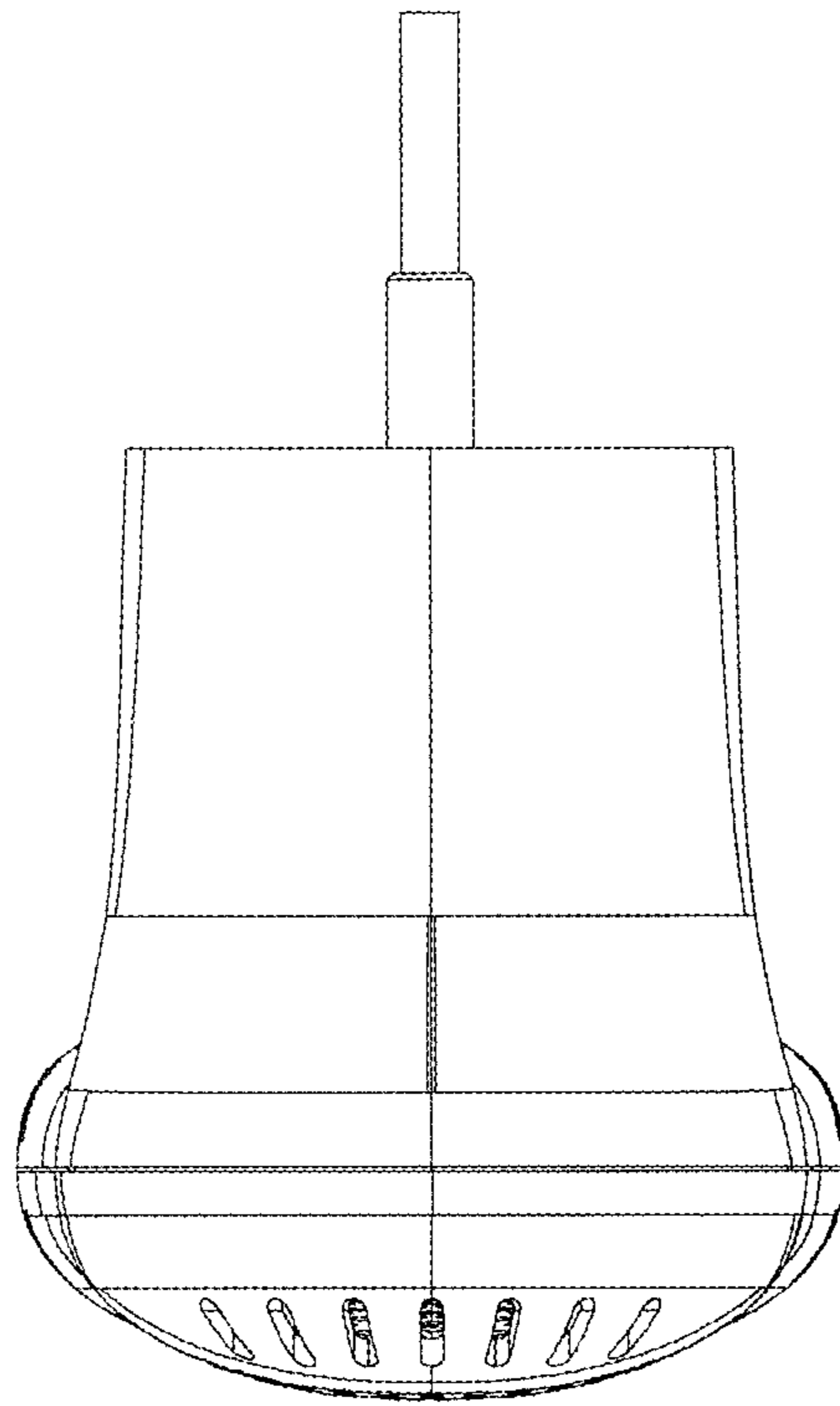


FIG. 6

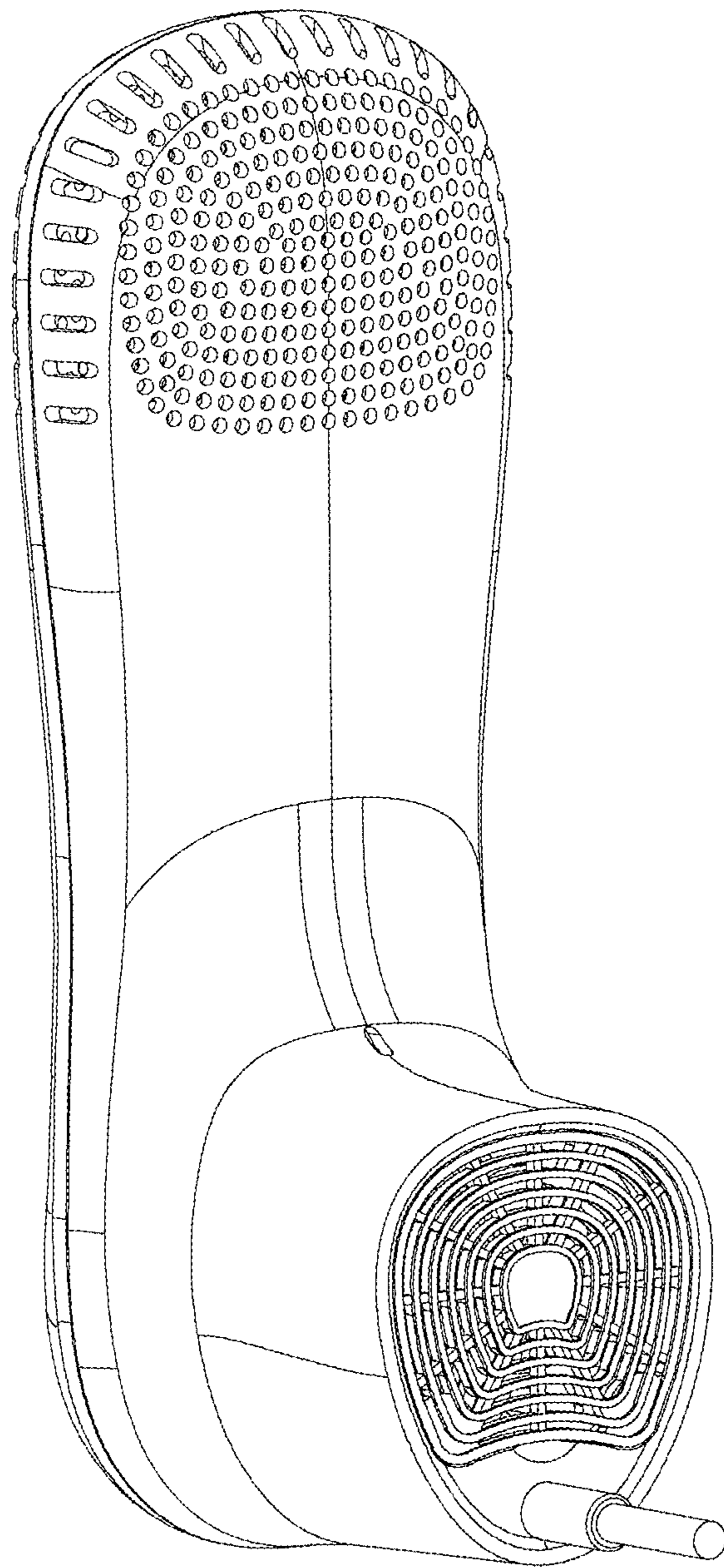


FIG. 7