



US00D943223S

(12) **United States Design Patent** (10) **Patent No.:** **US D943,223 S**  
**Beaudreault et al.** (45) **Date of Patent:** **\*\* Feb. 8, 2022**

(54) **FABRIC CARE APPLIANCE**  
(71) Applicant: **WHIRLPOOL CORPORATION**,  
Benton Harbor, MI (US)  
(72) Inventors: **James Beaudreault**, Lincoln, RI (US);  
**Matthew B. Conn**, Granger, IN (US);  
**Christopher A. Gregory**, St. Joseph,  
MI (US); **Nicholas Koukourakis**,  
Stevensville, MI (US); **Andrew S.**  
**Lawrence**, St. Joseph, MI (US);  
**Eamon C. Lyons**, Somerset, MA (US);  
**Mark W. Schulz**, Benton Harbor, MI  
(US)

(73) Assignee: **Whirlpool Corporation**, Benton  
Harbor, MI (US)

(\*\*) Term: **15 Years**

(21) Appl. No.: **29/723,656**

(22) Filed: **Feb. 10, 2020**

**Related U.S. Application Data**

(62) Division of application No. 29/605,912, filed on May  
31, 2017, now Pat. No. Des. 878,687.

(51) **LOC (13) Cl.** ..... **15-05**

(52) **U.S. Cl.**  
USPC ..... **D32/6**

(58) **Field of Classification Search**  
USPC ..... D32/6, 8, 23, 24, 25, 28  
CPC ..... D06F 58/30; D06F 34/18; D06F 34/28;  
D06F 33/48; D06F 37/06; D06F 39/14;  
D06F 33/34; D06F 58/36; B32B 37/0053;  
E06B 5/00  
See application file for complete search history.

(56) **References Cited**

**U.S. PATENT DOCUMENTS**

D517,257 S \* 3/2006 Kim ..... D32/6  
D575,913 S \* 8/2008 Jeon ..... D32/6

D577,162 S \* 9/2008 Shail ..... D32/6  
D588,757 S \* 3/2009 Park ..... D32/6  
D597,711 S 8/2009 Nam et al.  
D611,207 S 3/2010 Yalcin et al.  
D617,960 S \* 6/2010 Bohm ..... D32/6  
D620,650 S \* 7/2010 Lee ..... D32/6  
D625,476 S \* 10/2010 Lee ..... D32/6  
D626,299 S \* 10/2010 Lee ..... D32/6  
D626,300 S 10/2010 Lee et al.  
D630,807 S 1/2011 Song et al.  
D631,624 S 1/2011 Chung et al.

(Continued)

**OTHER PUBLICATIONS**

Front-loading washer extractor <https://www.medicalexpo.com/prod/ippo/product-98529-711279.html> (Year: 2021).\*

(Continued)

*Primary Examiner* — George A Bugg  
*Assistant Examiner* — Richard E Yenchesky

(74) *Attorney, Agent, or Firm* — Price Heneveld LLP

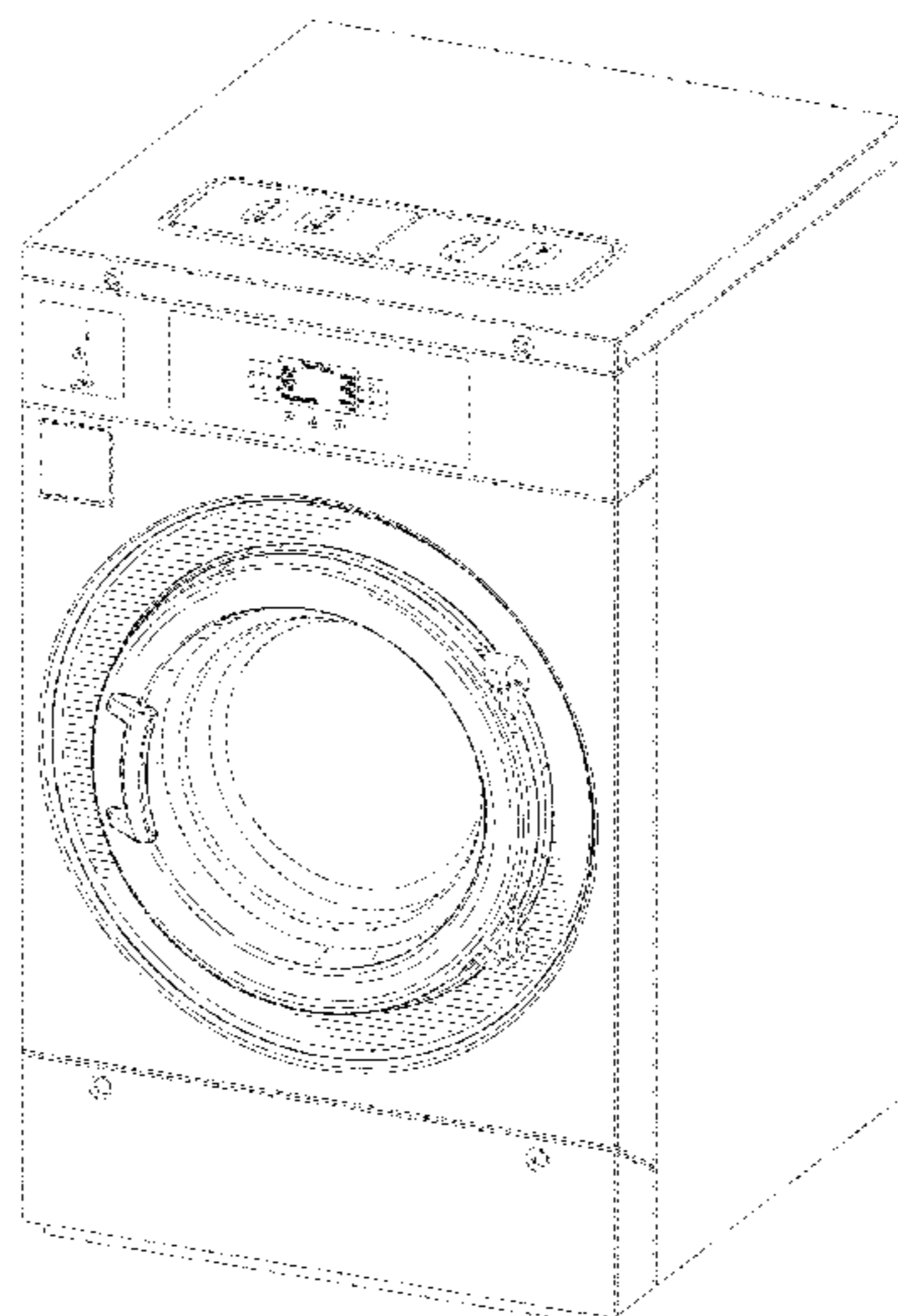
(57) **CLAIM**

The ornamental design for a fabric care appliance, as shown  
and described.

**DESCRIPTION**

FIG. 1 is a front perspective view of a fabric care appliance  
according to our design;  
FIG. 2 is a front elevation view thereof;  
FIG. 3 is a rear elevation view thereof;  
FIG. 4 is a left side elevation view thereof;  
FIG. 5 is a right side elevation view thereof;  
FIG. 6 is a top plan view thereof; and,  
FIG. 7 is a bottom plan view thereof.  
The broken lines showing portions of the article form no part  
of the claimed design.

**1 Claim, 7 Drawing Sheets**



(56)

References Cited

U.S. PATENT DOCUMENTS

D653,006 S \* 1/2012 Takahashi ..... D32/6  
 D659,307 S 5/2012 Geyer et al.  
 D688,427 S 8/2013 Meda et al.  
 D695,472 S 12/2013 Borjesson  
 D696,478 S 12/2013 Geyer et al.  
 D697,678 S 1/2014 Jeon et al.  
 D701,009 S 3/2014 Jinnam et al.  
 D703,885 S \* 4/2014 Ha ..... D32/6  
 D712,603 S 9/2014 Geyer et al.  
 D729,996 S \* 5/2015 Hwang ..... D32/6  
 D730,596 S \* 5/2015 Kim ..... D32/6  
 D731,129 S 6/2015 Ha et al.  
 D731,719 S 6/2015 Borjesson  
 D732,250 S 6/2015 Borjesson  
 D732,763 S \* 6/2015 Hwang ..... D32/6  
 D739,097 S 9/2015 Qin et al.  
 D759,909 S \* 6/2016 Kim ..... D32/6  
 9,388,523 B2 7/2016 Han et al.  
 D769,553 S \* 10/2016 Lee ..... D32/6  
 D770,698 S \* 11/2016 Lee ..... D32/6  
 D770,707 S \* 11/2016 Ha ..... D32/6  
 D771,330 S \* 11/2016 Ha ..... D32/6  
 D773,755 S \* 12/2016 Hwang ..... D32/6  
 D773,757 S \* 12/2016 Hwang ..... D32/6  
 D774,714 S \* 12/2016 Kang ..... D32/6  
 D774,715 S \* 12/2016 Kim ..... D32/6  
 D774,716 S \* 12/2016 Kim ..... D32/6  
 D787,759 S 5/2017 Geyer et al.  
 D796,752 S \* 9/2017 Bixby ..... D32/6  
 D798,004 S \* 9/2017 Bixby ..... D32/6  
 D800,976 S \* 10/2017 Im ..... D32/6  
 9,777,423 B2 10/2017 Stabon et al.  
 D806,329 S \* 12/2017 Carlehed ..... D32/6  
 9,834,880 B2 12/2017 Jo et al.  
 D812,830 S \* 3/2018 Zhang ..... D32/28

D816,925 S \* 5/2018 Bixby ..... D32/6  
 D817,570 S \* 5/2018 Kim ..... D32/25  
 D825,122 S \* 8/2018 Conn ..... D32/28  
 D825,123 S \* 8/2018 Conn ..... D32/28  
 D825,867 S \* 8/2018 Yoon ..... D32/6  
 D825,868 S \* 8/2018 Chung ..... D32/6  
 D826,489 S \* 8/2018 Yoon ..... D32/6  
 D826,490 S \* 8/2018 Beaudreault ..... D32/6  
 D858,012 S \* 8/2019 Yoon ..... D32/6  
 D866,099 S \* 11/2019 Yoon ..... D32/6  
 D867,691 S \* 11/2019 Lee ..... D32/6  
 D867,699 S \* 11/2019 Lee ..... D32/28  
 2010/0205825 A1 \* 8/2010 Ashrafzadeh ..... D06F 34/18  
 34/486  
 2011/0016738 A1 \* 1/2011 Ashrafzadeh ..... D06F 58/36  
 34/108  
 2013/0152310 A1 \* 6/2013 Erickson ..... D06F 33/34  
 8/137  
 2015/0315739 A1 \* 11/2015 Ben ..... D06F 34/34  
 312/228  
 2017/0183807 A1 6/2017 Cinello et al.  
 2017/0342639 A1 11/2017 Kim  
 2018/0002854 A1 \* 1/2018 Anand ..... B32B 37/0053  
 2018/0112342 A1 \* 4/2018 Hodgell ..... D06F 37/06  
 2018/0135219 A1 \* 5/2018 Frantz ..... E06B 5/00  
 2019/0106829 A1 \* 4/2019 Bueno ..... D06F 33/48  
 2019/0145041 A1 \* 5/2019 Bhandare ..... D06F 39/14  
 68/196  
 2021/0062390 A1 \* 3/2021 Benne ..... D06F 34/28  
 2021/0095417 A1 \* 4/2021 Vaive ..... D06F 58/30

OTHER PUBLICATIONS

Front Load compact <https://www.lowes.com/pd/Whirlpool-1-9-cu-ft-High-Efficiency-Stackable-Front-Load-Washer-White-ENERGY-STAR/1000864710> (Year: 2019).\*

\* cited by examiner

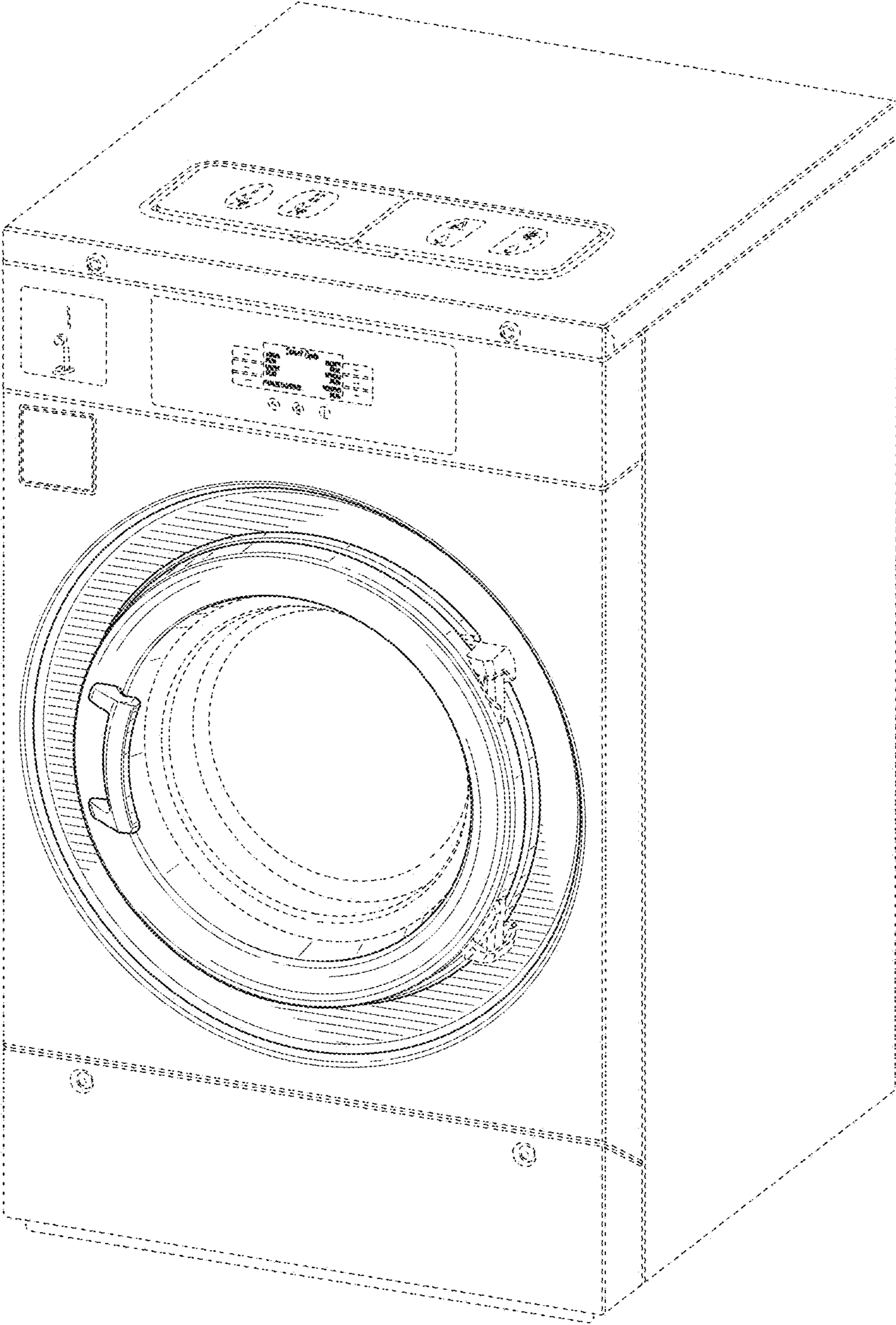


FIG. 1

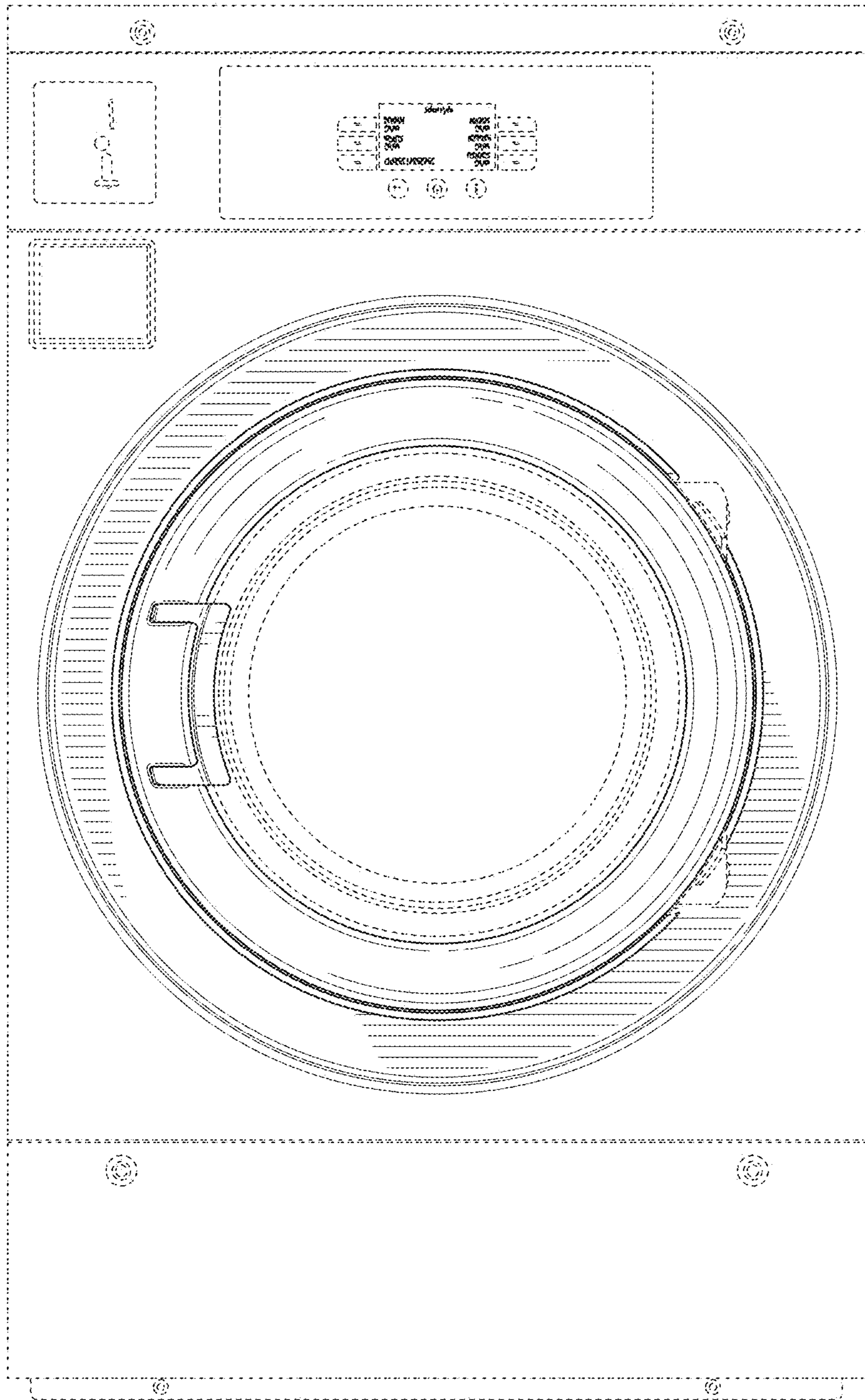


FIG. 2

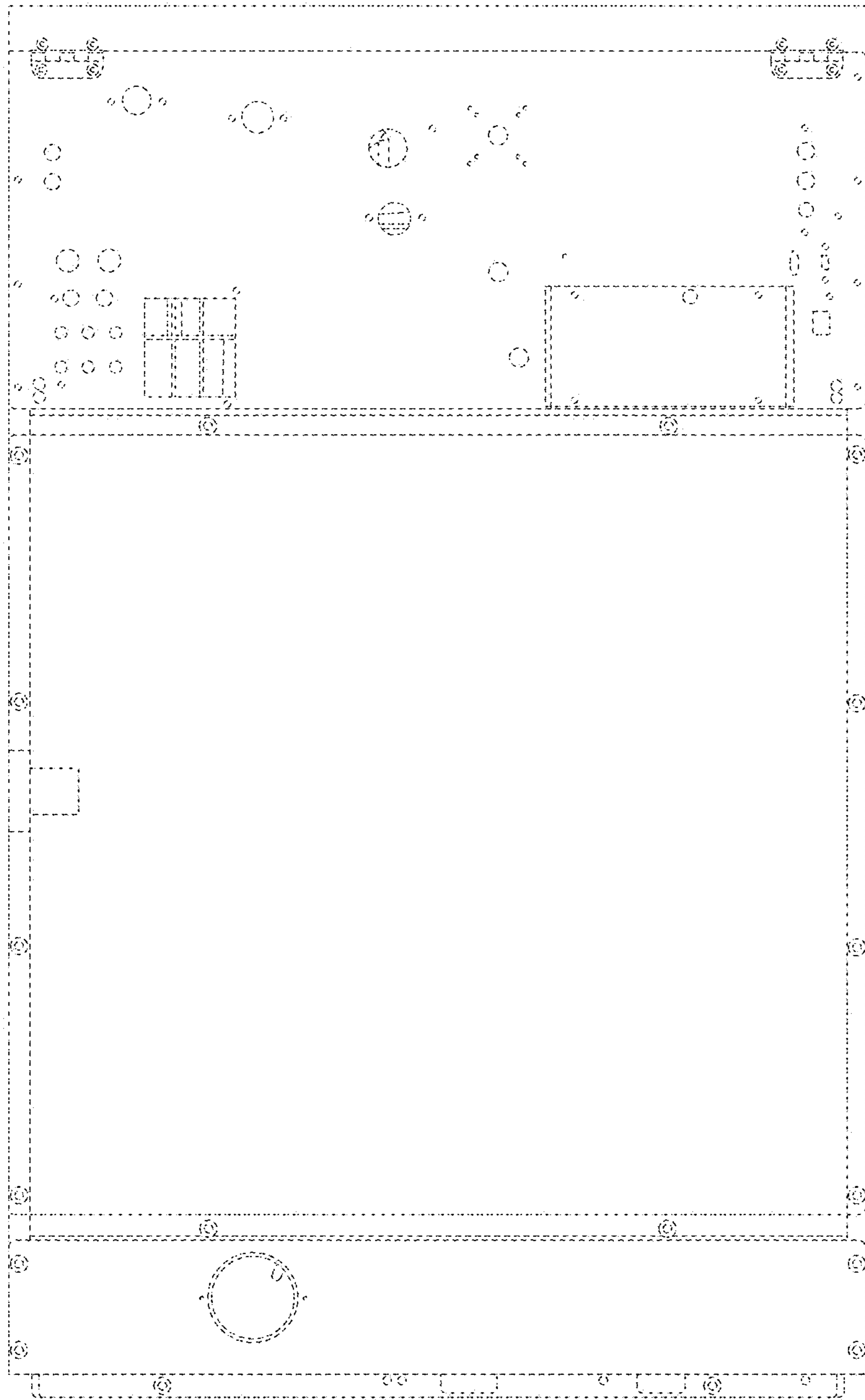


FIG. 3

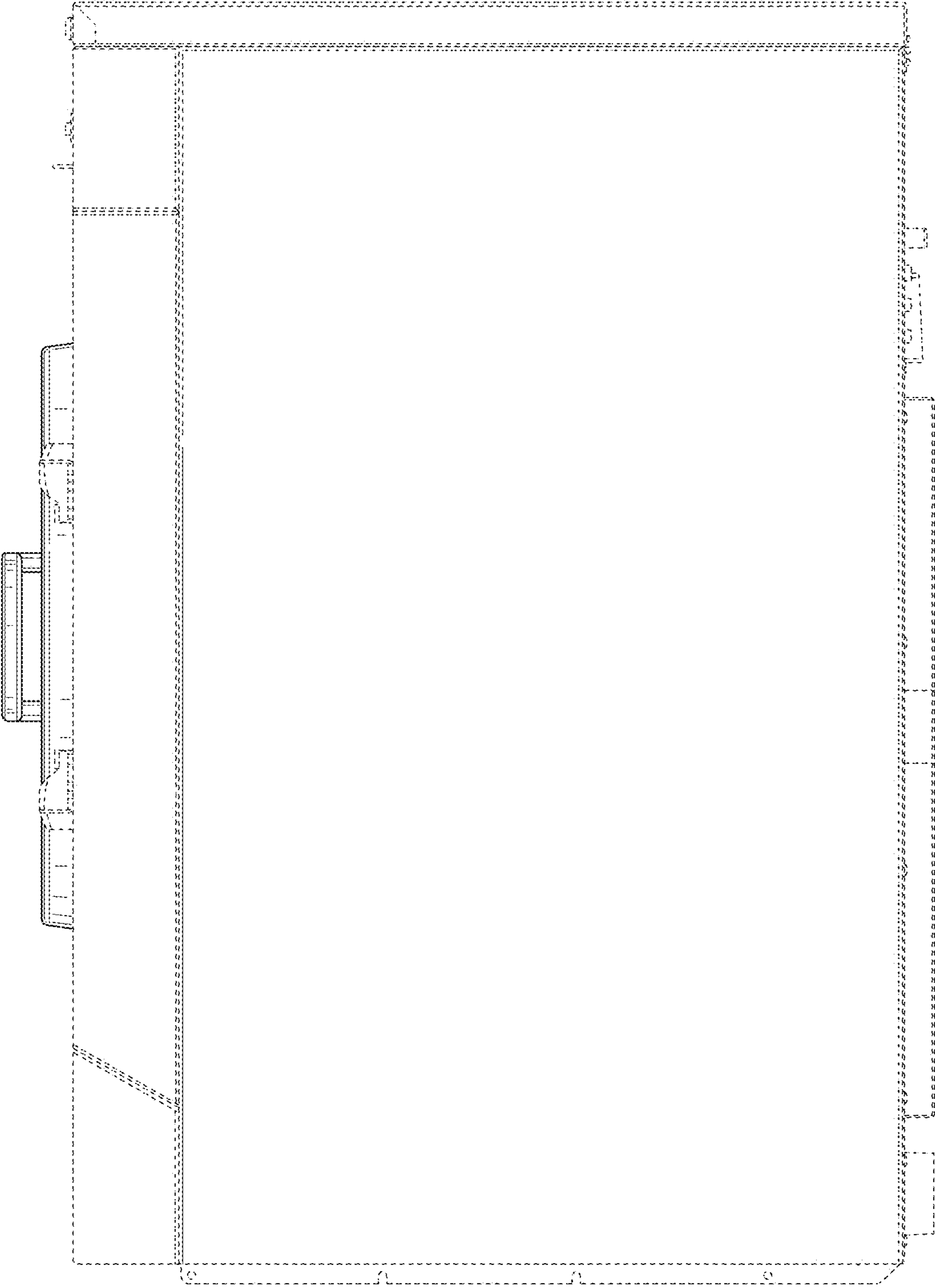


FIG. 4

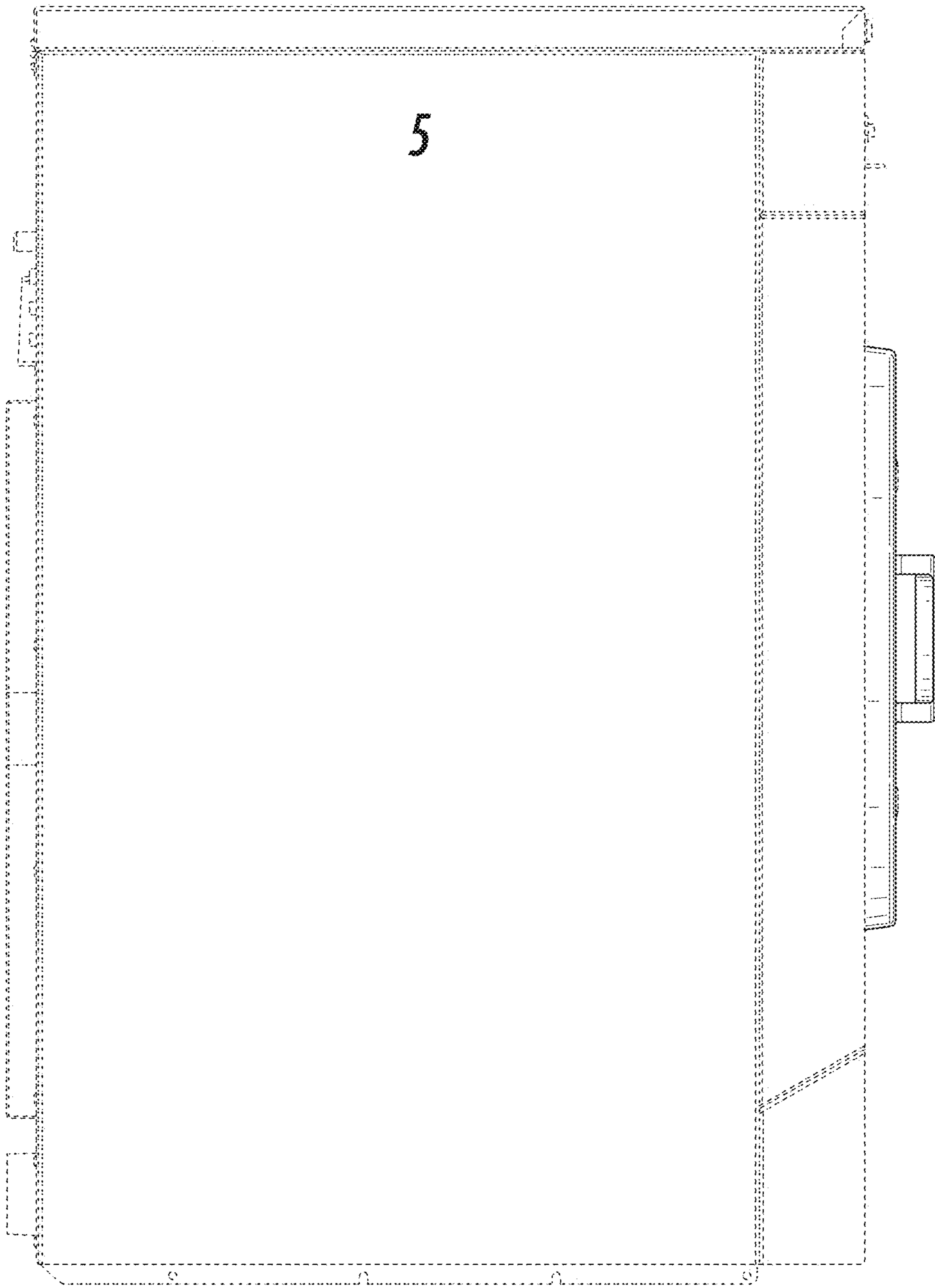


FIG. 5

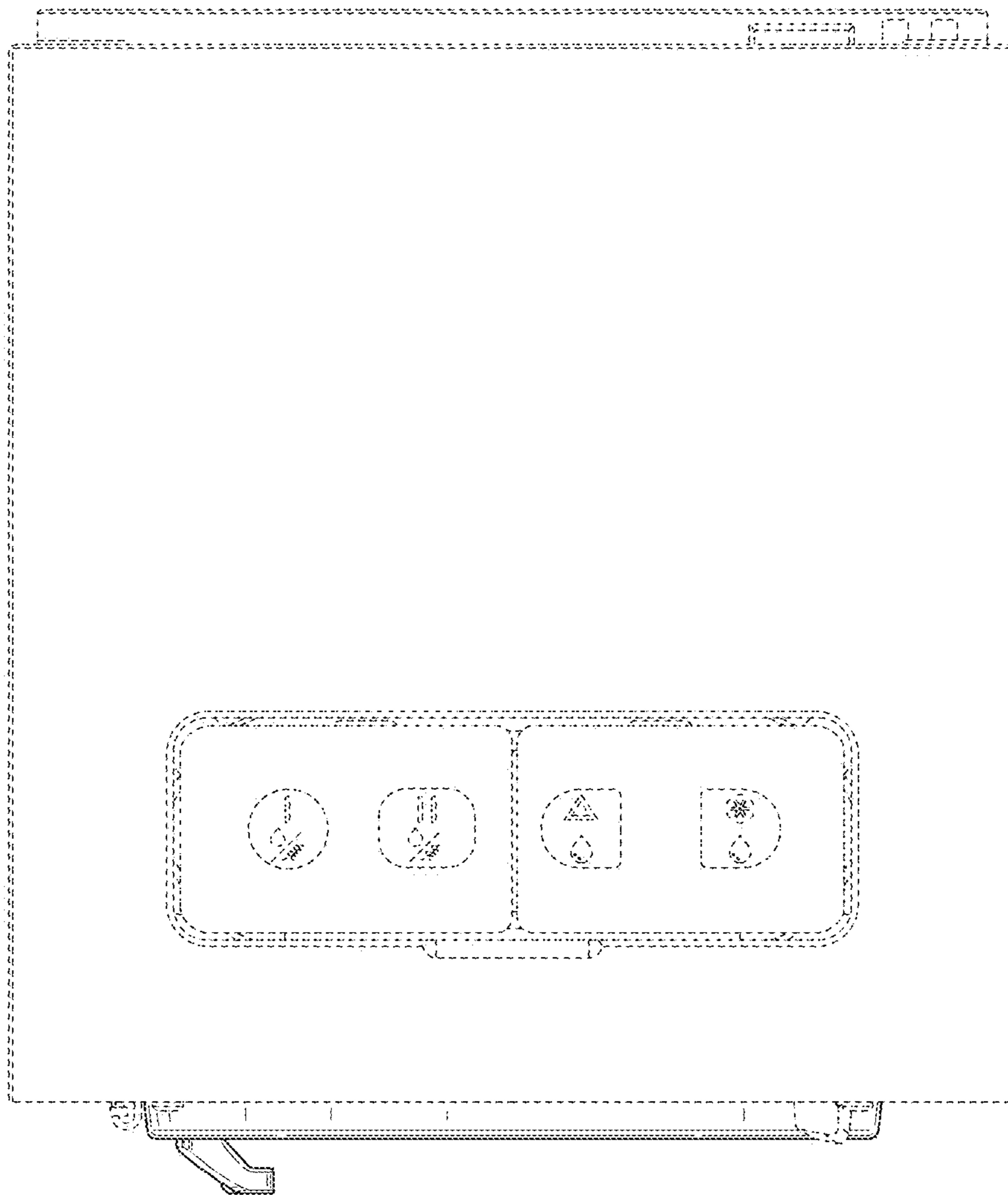


FIG. 6



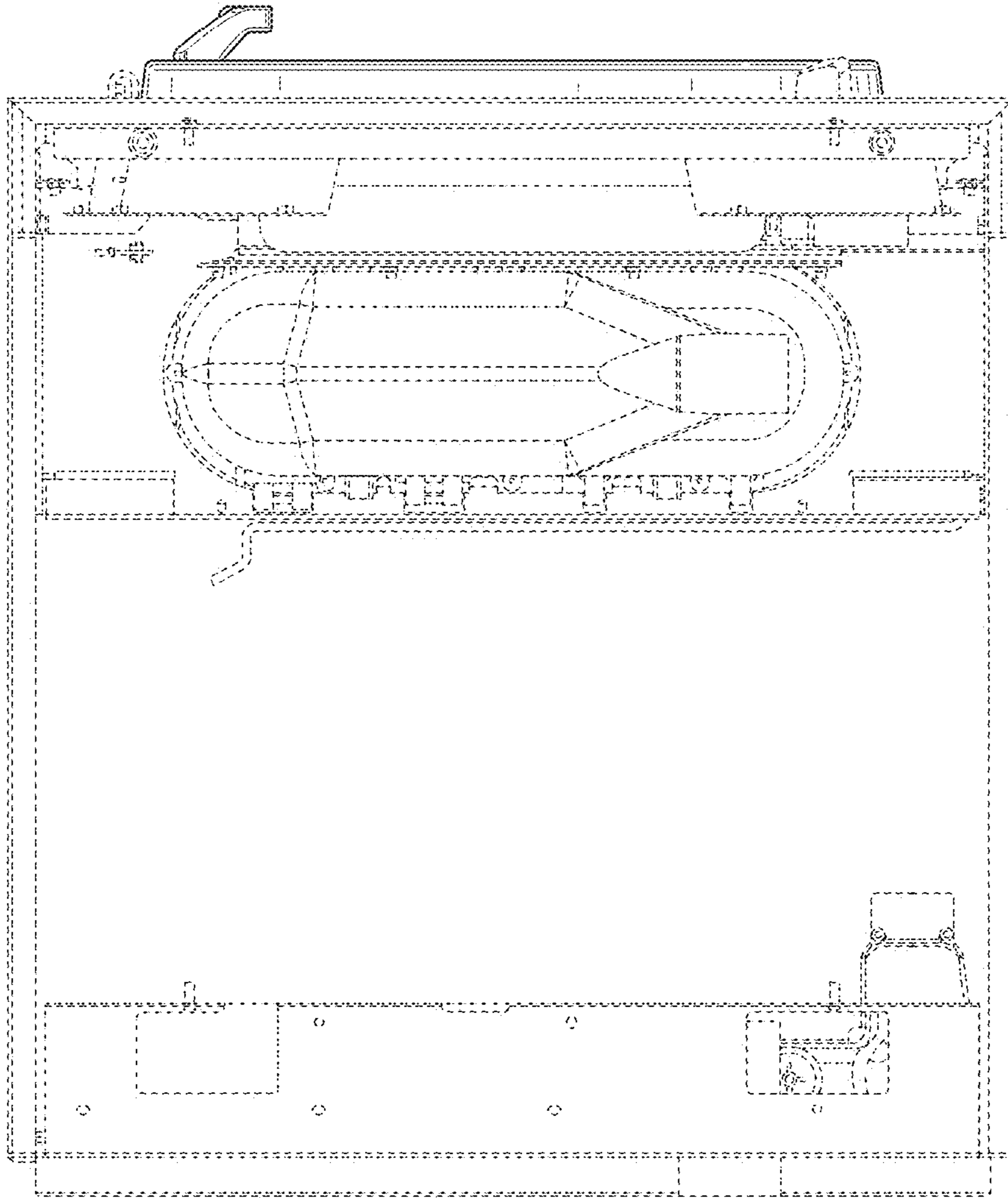


FIG. 7