



US00D943222S

(12) **United States Design Patent**
Xu et al.

(10) **Patent No.:** **US D943,222 S**
(45) **Date of Patent:** **** Feb. 8, 2022**

(54) **PET FEEDER**

(71) Applicant: **SHENZHEN LEBEN TECHNOLOGY CO., LTD.**, Shenzhen (CN)

(72) Inventors: **Xun Xu**, Shenzhen (CN); **Zhiping Liu**, Shenzhen (CN)

(73) Assignee: **SHENZHEN LEBEN TECHNOLOGY CO., LTD.**, Shenzhen (CN)

(**) Term: **15 Years**

(21) Appl. No.: **29/749,930**

(22) Filed: **Sep. 10, 2020**

(51) **LOC (13) Cl.** **30-07**

(52) **U.S. Cl.**
USPC **D30/122**

(58) **Field of Classification Search**

USPC D30/121, 122, 129-133, 120; 119/61.5, 119/51.01, 61.56, 51.03, 59, 62, 63, 51.5, 119/57.8, 74, 61.54, 61.55, 53, 53.5, 75, 119/56.2, 51.02, 51.11, 51.12, 57.1, 52.1, 119/515; 312/204; 248/151, 188; 108/156, 153.1-157; 220/23.87, 630, 220/737, 743, 9.4, 495.01, 574, 212, 255, 220/23.83; 206/515; D7/586, 543, D7/550.1, 587, 505, 584, 545, 500, D7/553.1-553.8, 546, 555, 556, 504, 565, D7/562, 602, 605, 312, 313, 320, 307, D7/306, 309, 354, 311, 399, 397, 323, D7/332, 331, 347, 346, 322, 318, 317, D7/316, 619.1, 358; D9/429; 43/109; D22/122; 99/430, DIG. 15, 280, 285, 99/312; 222/209, 131, 363, 349, 517, 222/153.13, 401, 1, 146.5, 23, 54, 64, 51, 222/156, 399, 400.8; 219/438, 439, 441, 219/385, 386, 402, 407; 210/94, 184, 210/474, 477; D15/199; D12/86; D32/21, 23

CPC A01K 5/02; A01K 5/0225; A01K 5/0114; A01K 5/025; A01K 5/0266; A01K 5/0275; A01K 5/0283; A01K 5/0291; A01K 5/0258; A01K 5/0142; A01K 5/0233; A01K 29/00; A01K 7/00; G01F 11/24; G01F 23/02; B67D 1/0425; B67D 1/04; B67D 1/00; B67D 1/02; B67D 1/0871; B67D 1/0802; A47J 41/0033; A47J 41/005; A47J 41/0088; A47J 41/0094; A47J 31/04; A47J 31/053; B05B 11/00; B05B 11/0002; B05B 11/0005; B05B 11/001; C02F 1/003; C02F 1/283; C02F 2307/02

See application file for complete search history.

(56) **References Cited**

U.S. PATENT DOCUMENTS

D315,624 S * 3/1991 Kimura D32/21
D343,931 S * 2/1994 Tsuruha D32/21
(Continued)

Primary Examiner — Susan Moon Lee

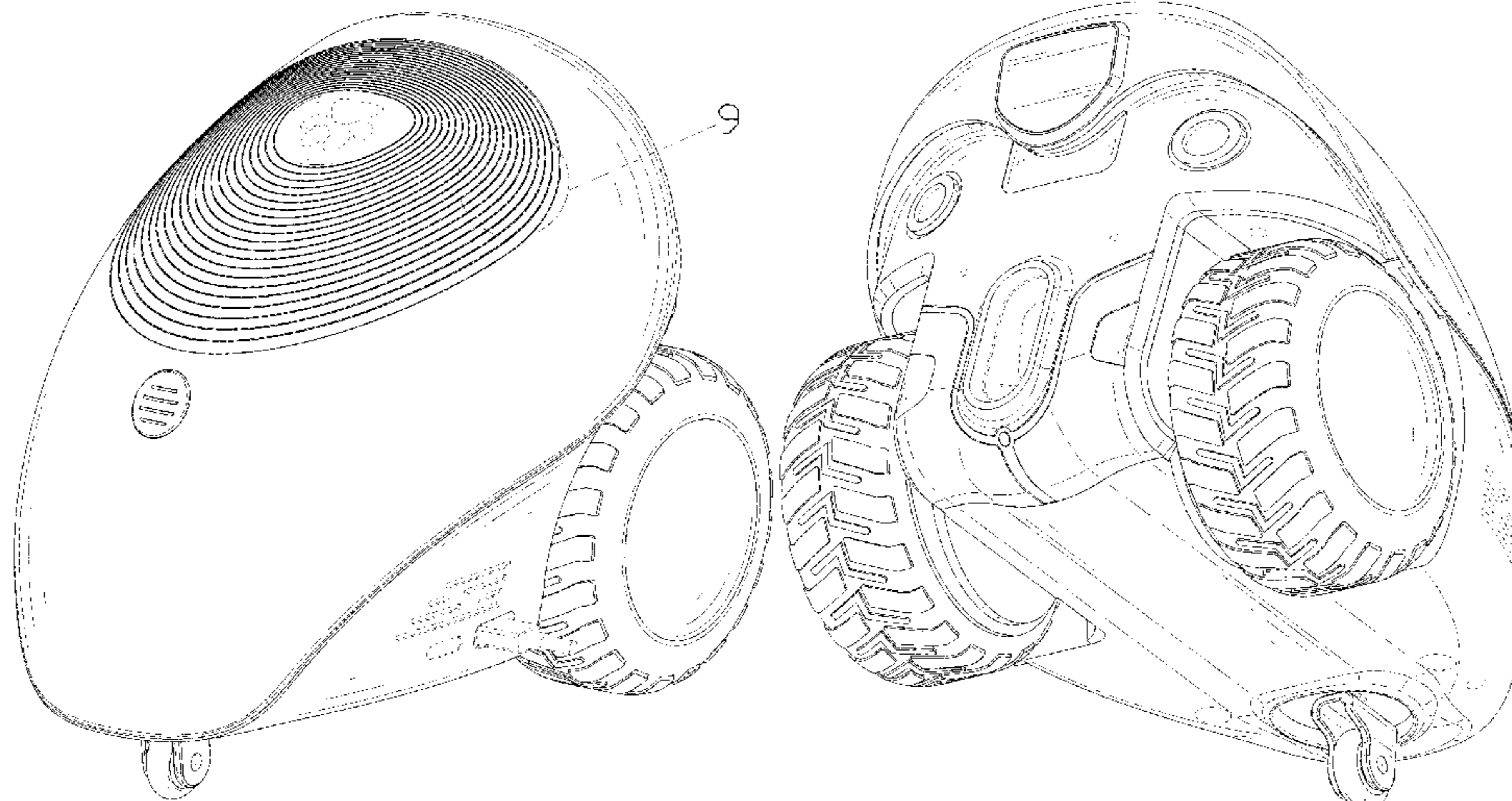
(57) **CLAIM**

The ornamental design for a pet feeder, as shown and described.

DESCRIPTION

FIG. 1 is a perspective view of a pet feeder showing my new design;
FIG. 2 is another perspective view thereof;
FIG. 3 is a front elevational view thereof;
FIG. 4 is a rear elevational view thereof;
FIG. 5 is a left side elevational view thereof;
FIG. 6 is a right side elevational view thereof;
FIG. 7 is a top plan view thereof;
FIG. 8 is a bottom plan view thereof; and,
FIG. 9 is an enlarged view of portion 9 shown in FIG. 1.
The broken lines in the drawings depict portions of the pet feeder that form no part of the claimed design.

1 Claim, 9 Drawing Sheets



(56)

References Cited

U.S. PATENT DOCUMENTS

D344,165 S *	2/1994	Kuriya	D32/21	D584,462 S *	1/2009	Umeda	D32/21
D348,336 S *	6/1994	Woo	D30/122	D586,959 S *	2/2009	Geringer	D32/21
D351,261 S *	10/1994	Woo	D30/122	D590,552 S *	4/2009	Mizuno	D32/21
D360,804 S *	8/1995	Hamada	D7/323	D604,092 S *	11/2009	Kotani	D7/354
5,484,321 A *	1/1996	Ishimoto	F16H 7/023 446/433	D617,961 S *	6/2010	Umeda	D32/21
D373,665 S *	9/1996	Nakamura	D32/21	D617,966 S *	6/2010	Lee	D32/31
D394,528 S *	5/1998	Pochopien	D32/21	7,984,694 B2 *	7/2011	Wu	A01K 5/0275 119/51.02
D398,093 S *	9/1998	Fujima	D32/21	D655,871 S *	3/2012	Kim	D32/21
D399,617 S *	10/1998	Fujita	D32/21	8,347,817 B1 *	1/2013	Miller	A01K 5/0233 119/56.1
D417,046 S *	11/1999	Tsuruha	D32/21	D690,477 S *	9/2013	Lee	D32/21
D417,047 S *	11/1999	Tsuda	D32/21	D690,887 S *	10/2013	Lee	D32/21
D417,323 S *	11/1999	Fujita	D32/21	D691,675 S *	10/2013	Kim	D21/533
D422,763 S *	4/2000	Tsuda	D32/21	8,578,882 B2 *	11/2013	Araujo	A01K 15/02 119/51.01
D430,366 S *	8/2000	Sato	D32/21	8,596,219 B1 *	12/2013	Miller	A01K 5/0233 119/56.1
D430,711 S *	9/2000	Piret	D32/21	D711,604 S *	8/2014	Park	D32/21
D432,279 S *	10/2000	Kim	D30/121	D711,607 S *	8/2014	Yun	D32/31
D432,746 S *	10/2000	Frey	D32/24	D712,604 S *	9/2014	Jaeho	D32/21
6,145,160 A *	11/2000	Buss	A47L 5/362 15/323	D727,867 S *	4/2015	Chao	D14/130
D443,119 S *	5/2001	Sung	D32/21	D731,124 S *	6/2015	Shin	D30/122
D443,739 S *	6/2001	Young	D32/23	D739,537 S *	9/2015	Hacker	D24/185
D446,363 S *	8/2001	Sato	D32/21	D797,829 S *	9/2017	Lv	D15/199
D446,613 S *	8/2001	Hirokawa	D32/21	D802,149 S *	11/2017	Hacker	D24/185
D447,293 S *	8/2001	Griffin	D32/23	D814,232 S *	4/2018	Barquin	D7/354
D455,529 S *	4/2002	Wu	D32/21	D824,976 S *	8/2018	Makela	D15/199
D459,040 S *	6/2002	Oh	D32/21	10,058,072 B2 *	8/2018	Jin	A01K 15/02
D461,606 S *	8/2002	Kim	D32/21	D840,619 S *	2/2019	Kim	D32/21
D465,470 S *	11/2002	Ng	D14/171	D840,620 S *	2/2019	Kim	D32/21
D474,312 S *	5/2003	Stephens	D32/21	D841,711 S *	2/2019	Liu	D15/199
D476,783 S *	7/2003	Kondo	D32/21	D844,368 S *	4/2019	Choi	D7/354
D490,580 S *	5/2004	Choi	D32/21	10,299,652 B2 *	5/2019	Gilbert, Jr.	B60L 53/14
D491,704 S *	6/2004	Shin	D32/23	D855,094 S *	7/2019	Li	D15/199
D493,585 S *	7/2004	Choi	D32/21	D862,550 S *	10/2019	Shu	D15/199
D498,115 S *	11/2004	Shin	D7/354	D867,678 S *	11/2019	Wu	D30/122
D508,152 S *	8/2005	Konno	D32/21	D888,346 S *	6/2020	Jiang	D30/122
D521,696 S *	5/2006	Choi	D32/21	D907,306 S *	1/2021	Tang	D30/122
D528,717 S *	9/2006	Schroter	D32/21	D923,257 S *	6/2021	Wu	D30/122
D530,467 S *	10/2006	Tokunaga	D32/21	D924,292 S *	7/2021	Wei	D15/199
D530,869 S *	10/2006	Chen	D32/21	2002/0011813 A1 *	1/2002	Koselka	A47L 11/24 318/445
D533,693 S *	12/2006	Lee	D32/21	2004/0200426 A1 *	10/2004	Drummond	A01K 5/025 119/166
D550,908 S *	9/2007	Shin	D32/21	2007/0125306 A1 *	6/2007	Beecher	A01K 5/025 119/51.02
D550,909 S *	9/2007	Shin	D32/21	2010/0212600 A1 *	8/2010	Knies	A01K 15/02 119/719
D551,403 S *	9/2007	Shin	D32/21	2011/0226187 A1 *	9/2011	Bertsch	A01K 5/0114 119/61.55
D552,310 S *	10/2007	Shin	D32/21	2015/0068463 A1 *	3/2015	Worry	A01K 5/0291 119/57.1
D553,311 S *	10/2007	Shin	D32/21	2015/0101543 A1 *	4/2015	Baxter	A01K 5/025 119/498
D553,812 S *	10/2007	Shin	D32/21	2016/0270369 A1 *	9/2016	Jin	A01K 15/02
D554,308 S *	10/2007	Shin	D32/21	2016/0295836 A1 *	10/2016	Cheng	A01K 15/025
D555,849 S *	11/2007	Choi	D32/21	2018/0199541 A1 *	7/2018	Huang	A01K 5/0114
D555,852 S *	11/2007	Shin	D32/21	2018/0303062 A1 *	10/2018	Simard	A01K 15/021
D556,962 S *	12/2007	Choi	D32/21	2019/0059319 A1 *	2/2019	Hsiao	A01K 5/0114
D557,469 S *	12/2007	Choi	D32/21				
D557,470 S *	12/2007	Choi	D32/21				
D565,813 S *	4/2008	Shin	D32/21				
7,395,782 B1 *	7/2008	Lindsay	A01K 5/0114 119/51.02				
D583,109 S *	12/2008	Lindsay	D30/122				
D584,016 S *	12/2008	Hosoda	D32/21				

* cited by examiner

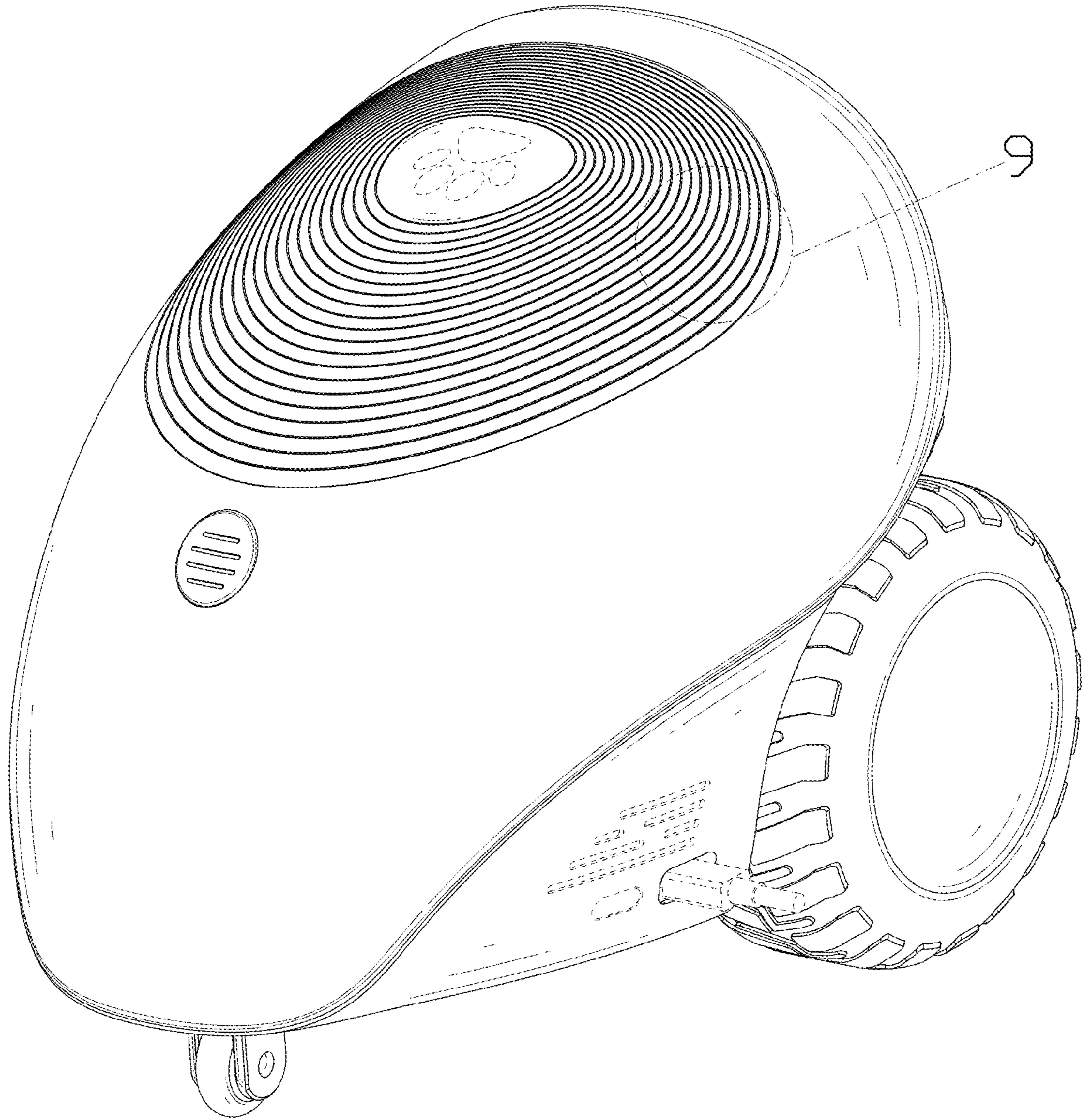


FIG. 1

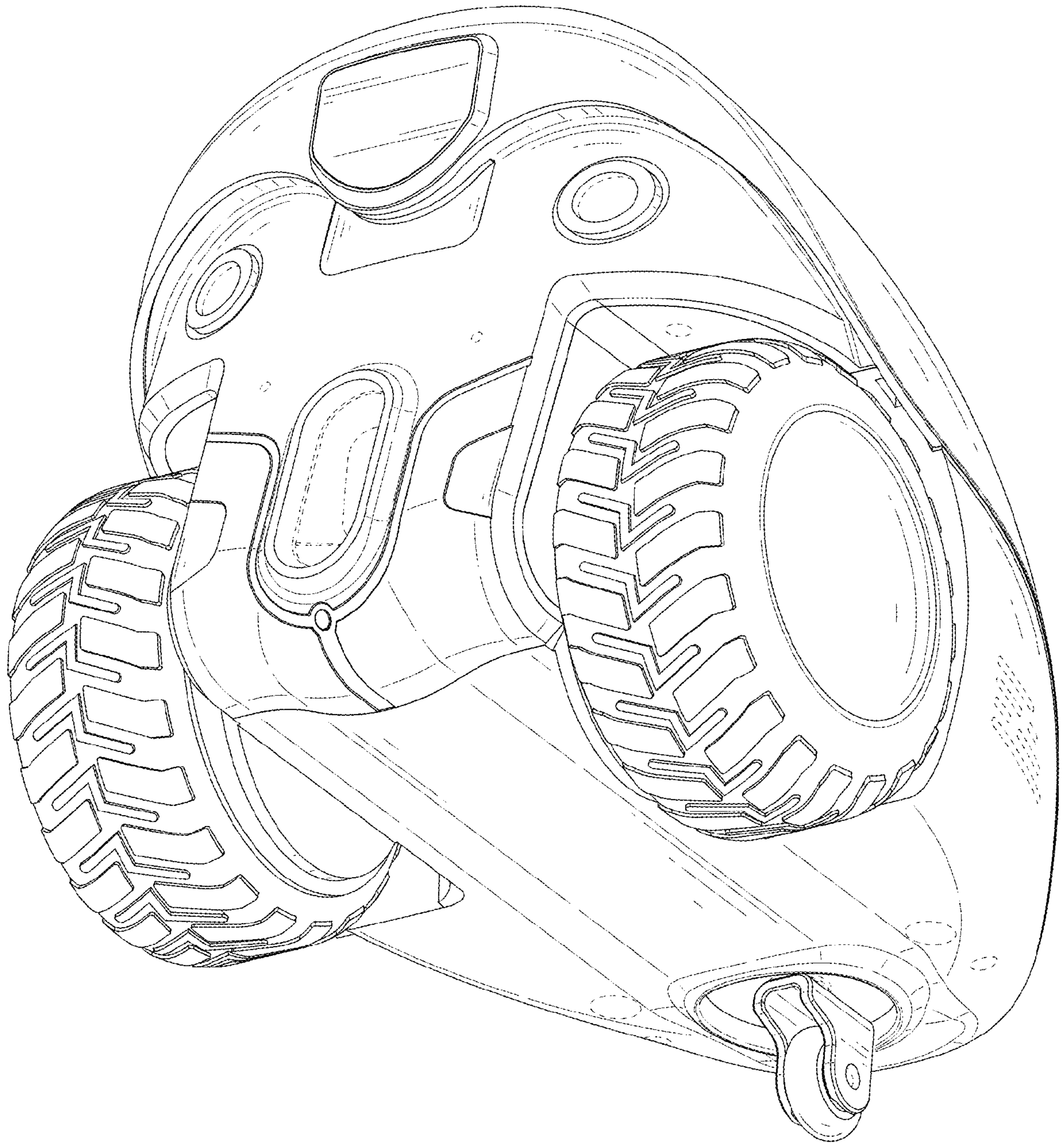


FIG. 2

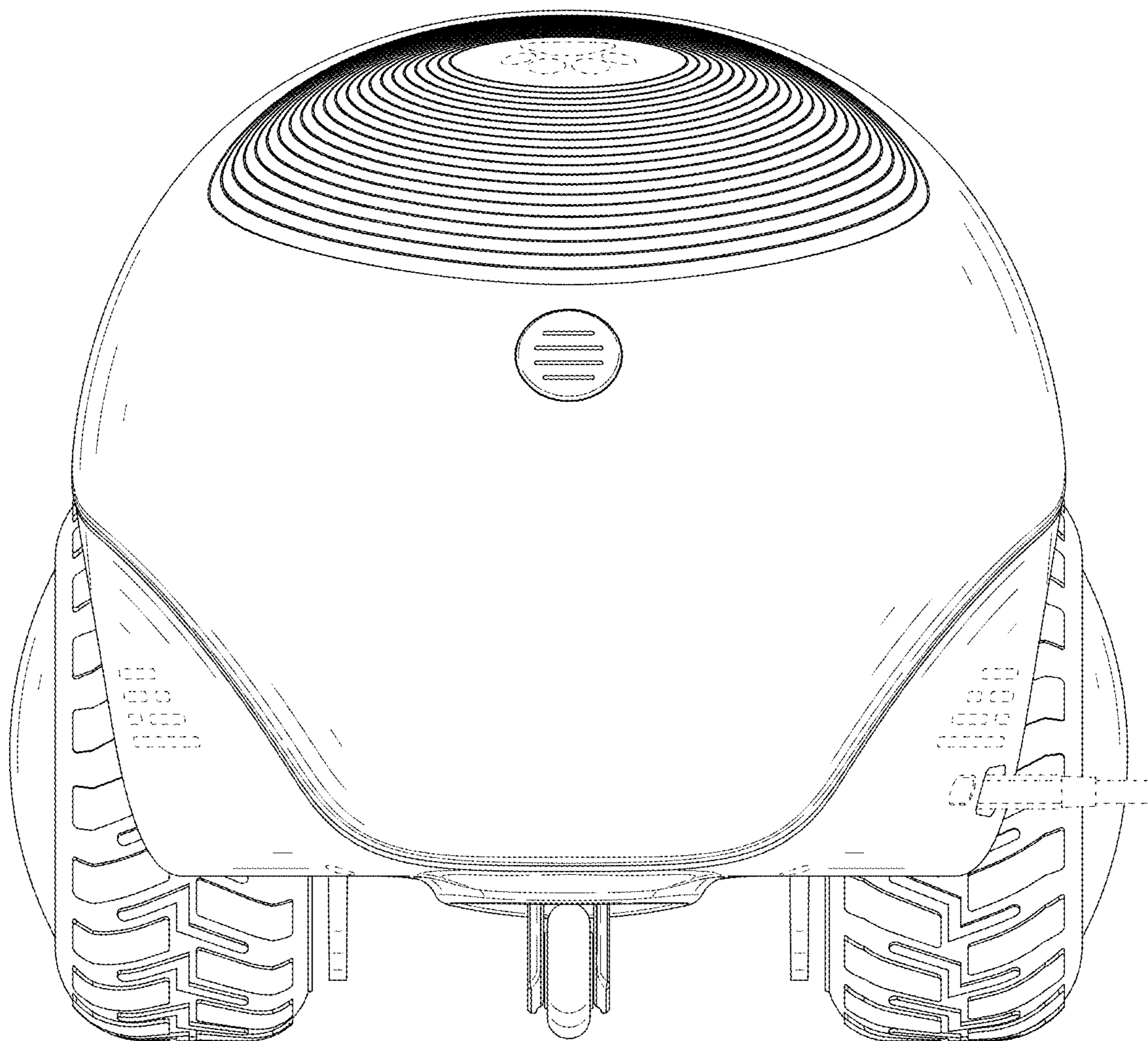


FIG. 3

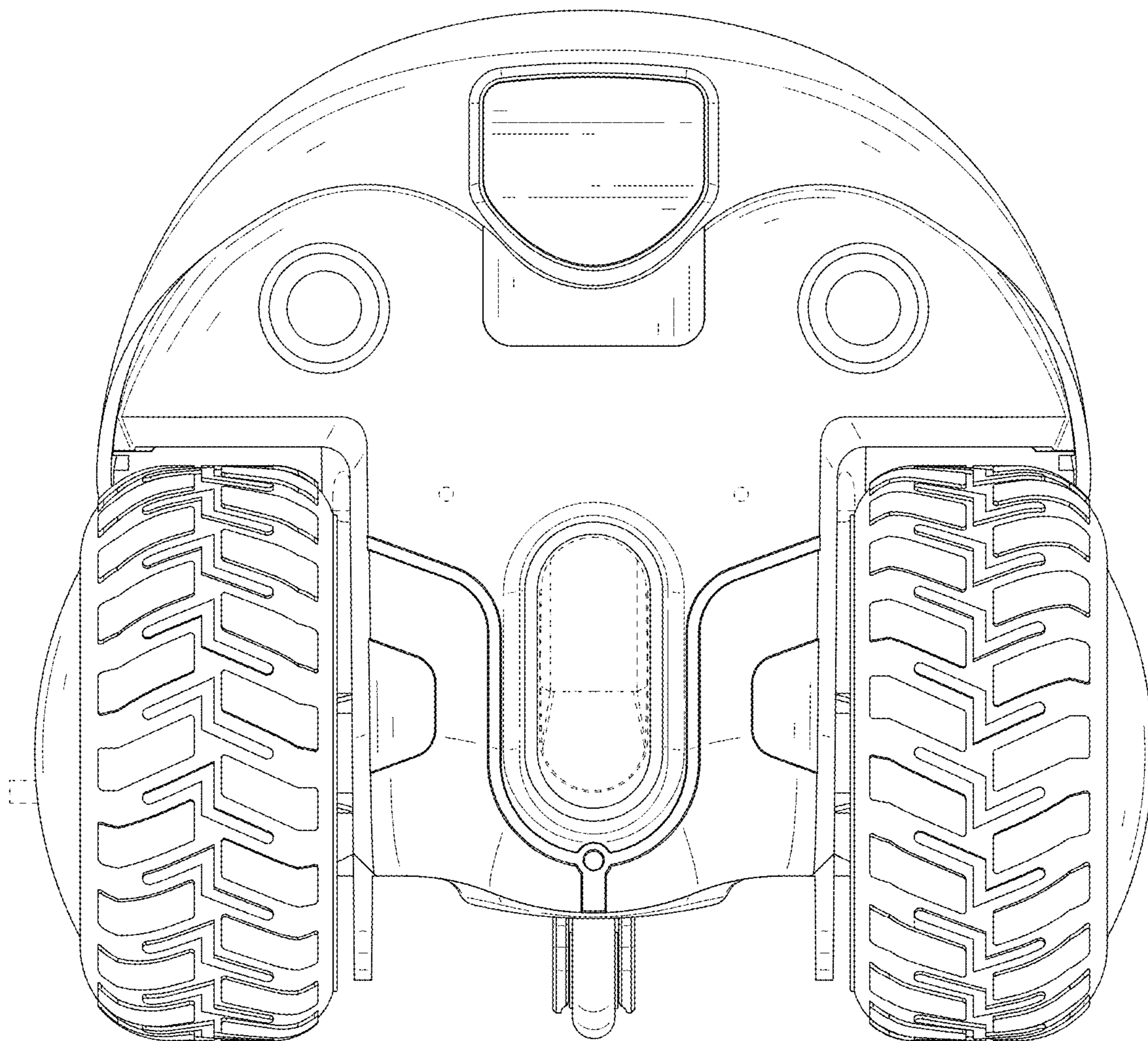


FIG. 4

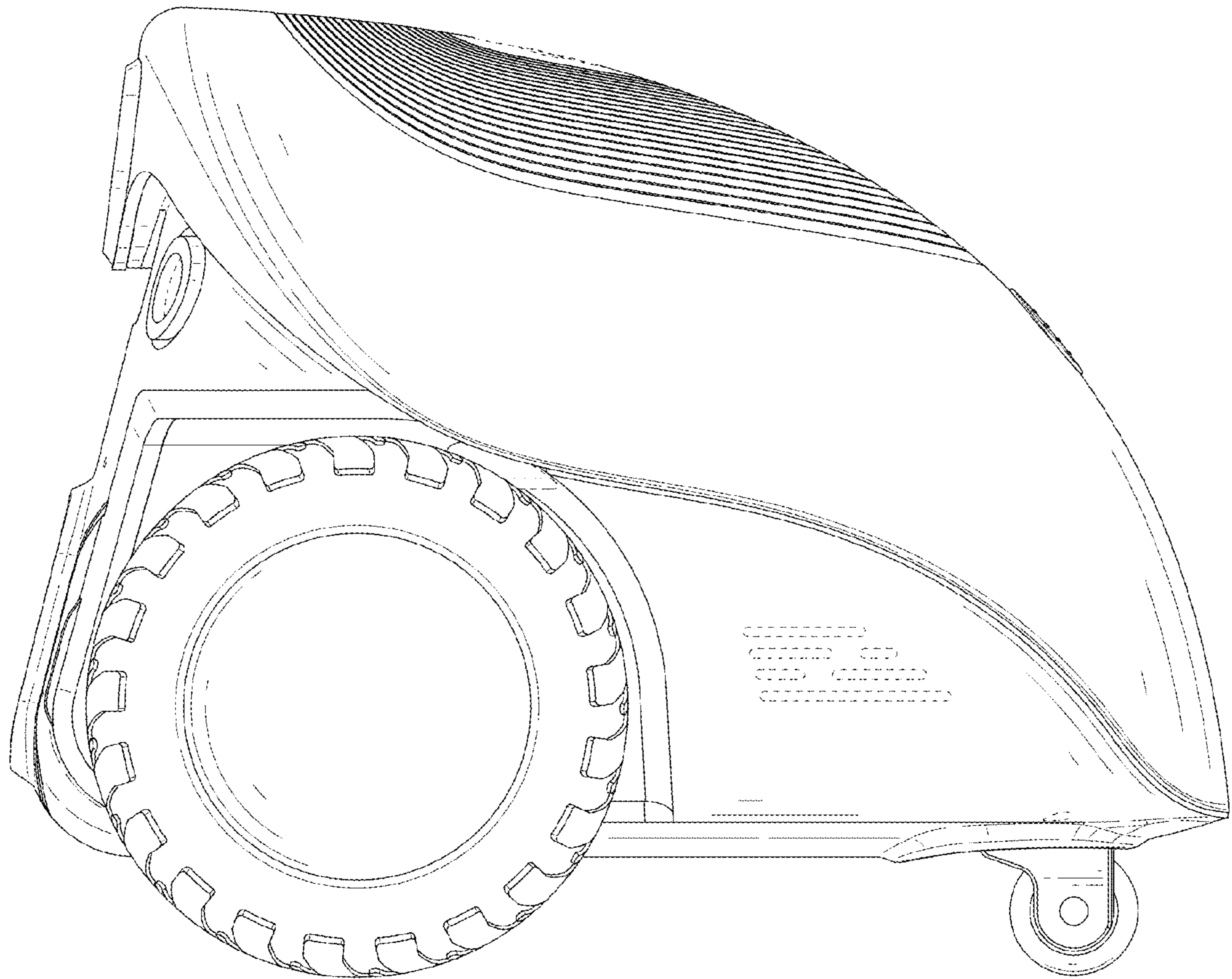


FIG. 5

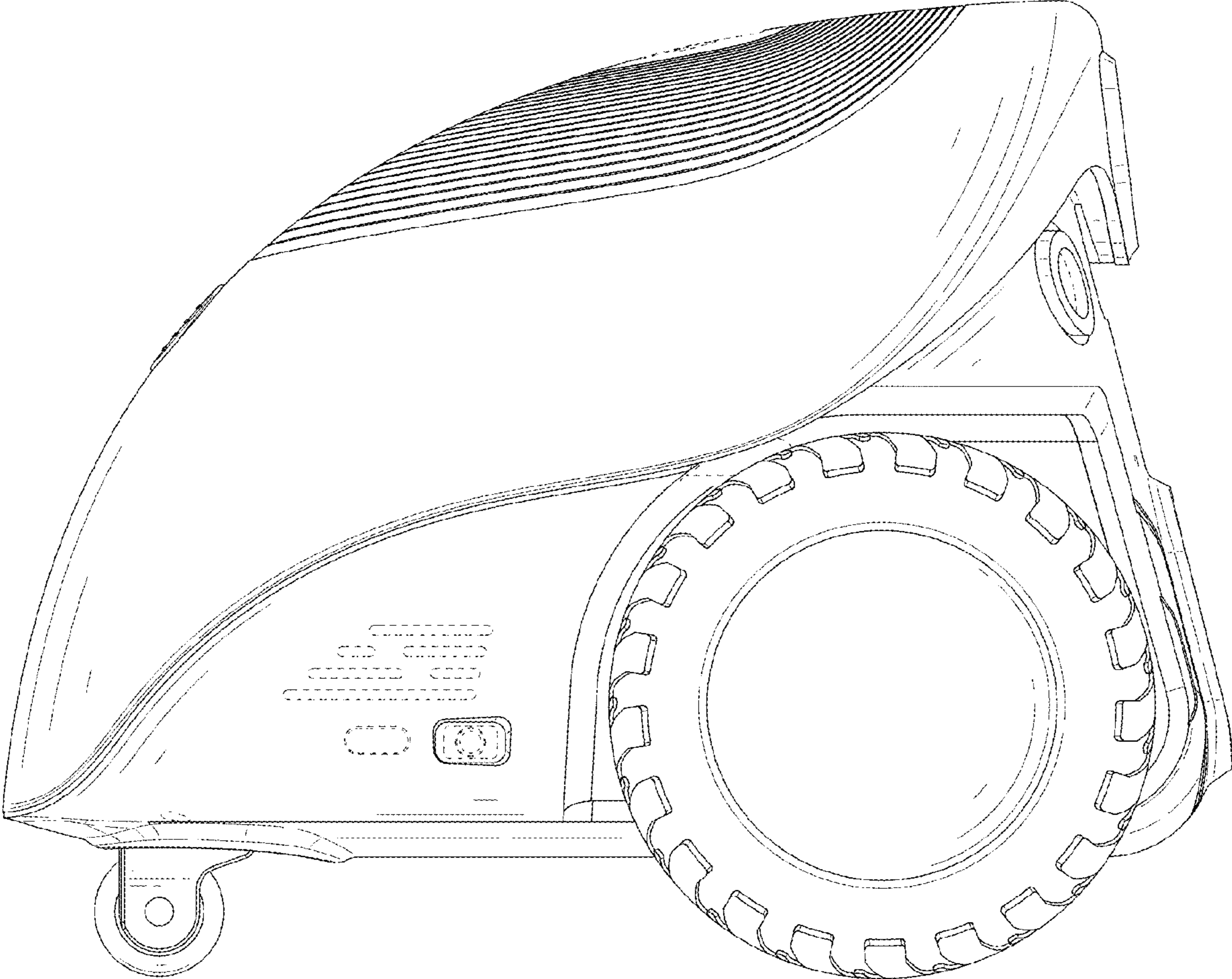


FIG. 6

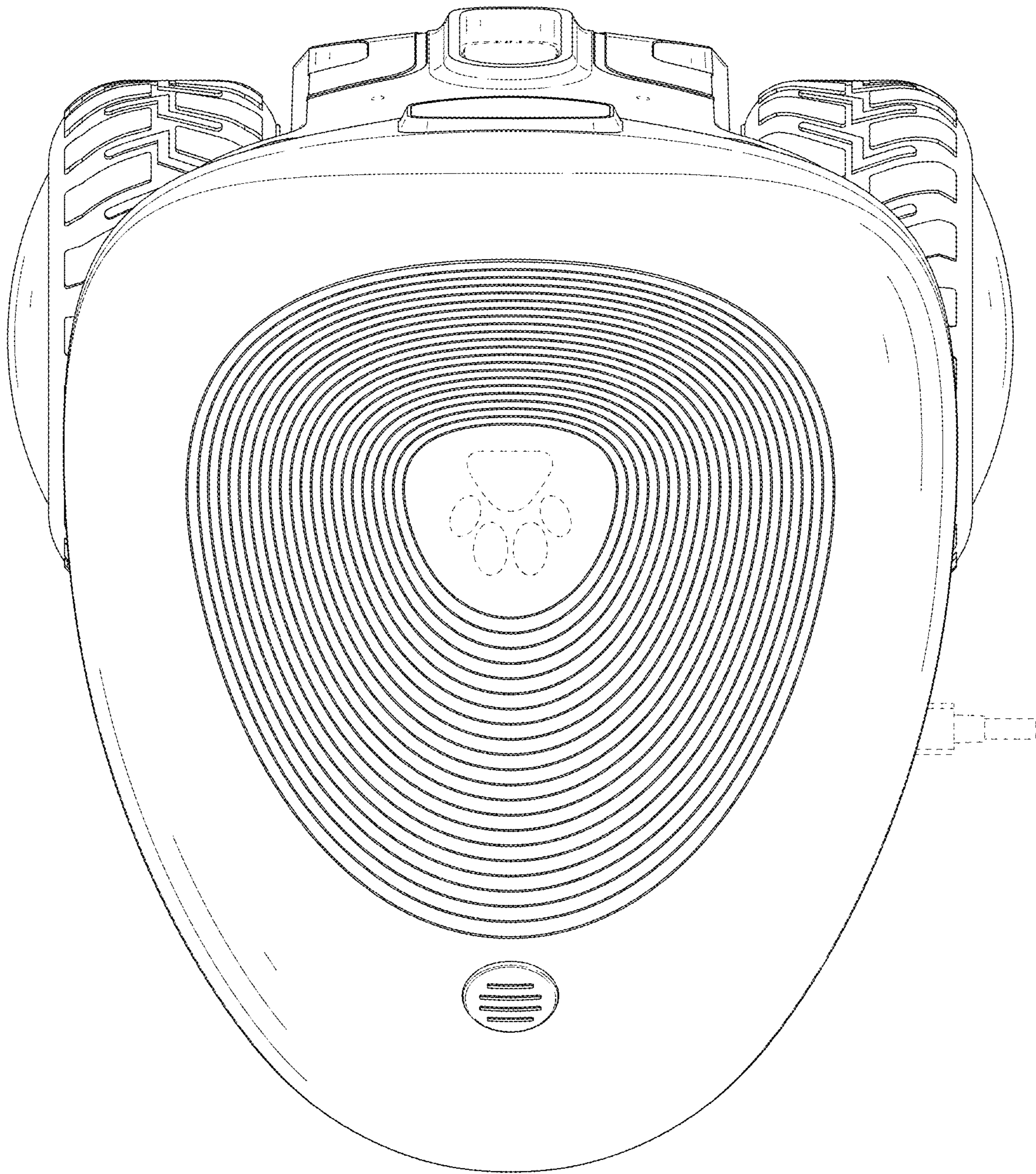


FIG. 7

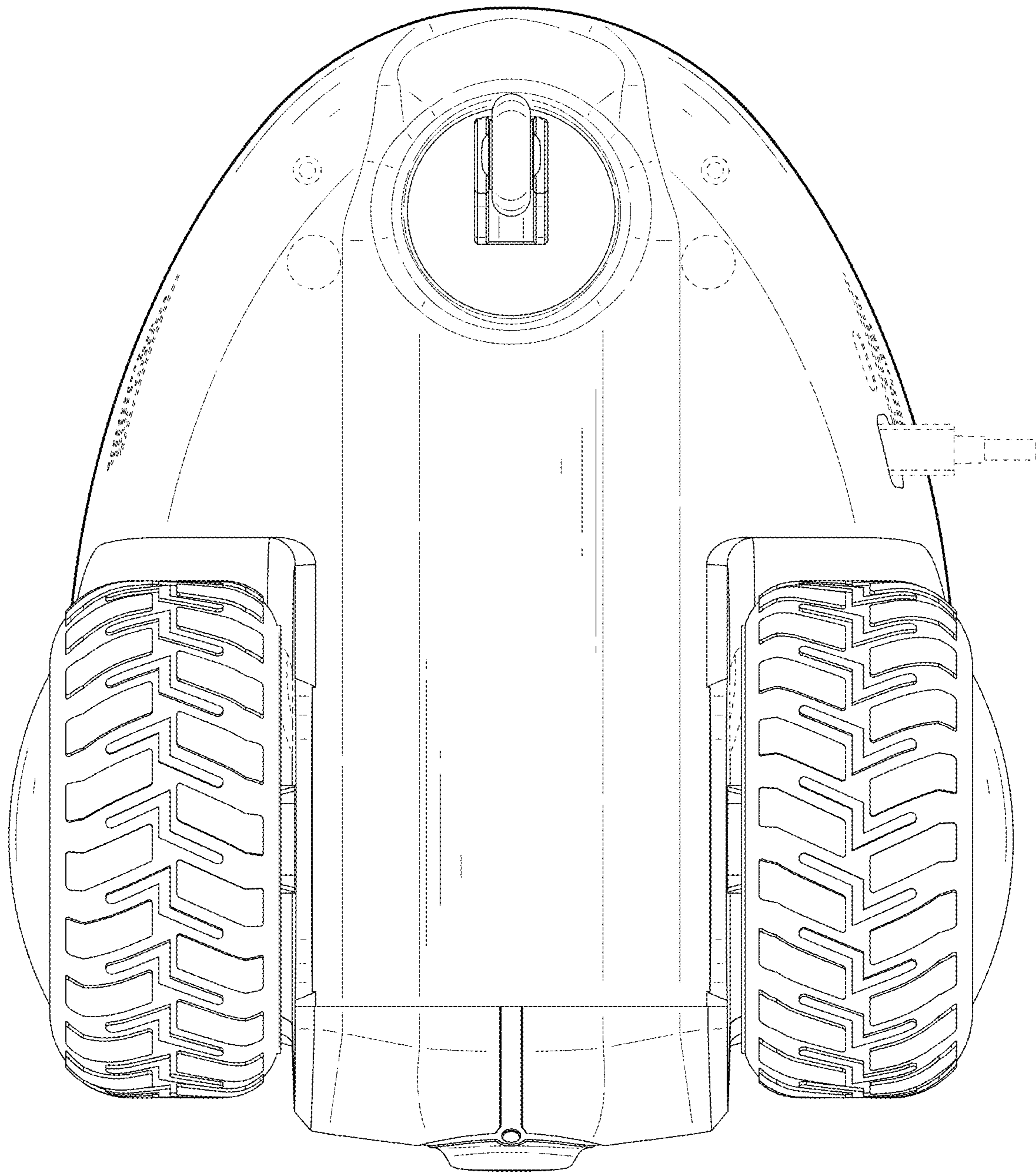


FIG. 8

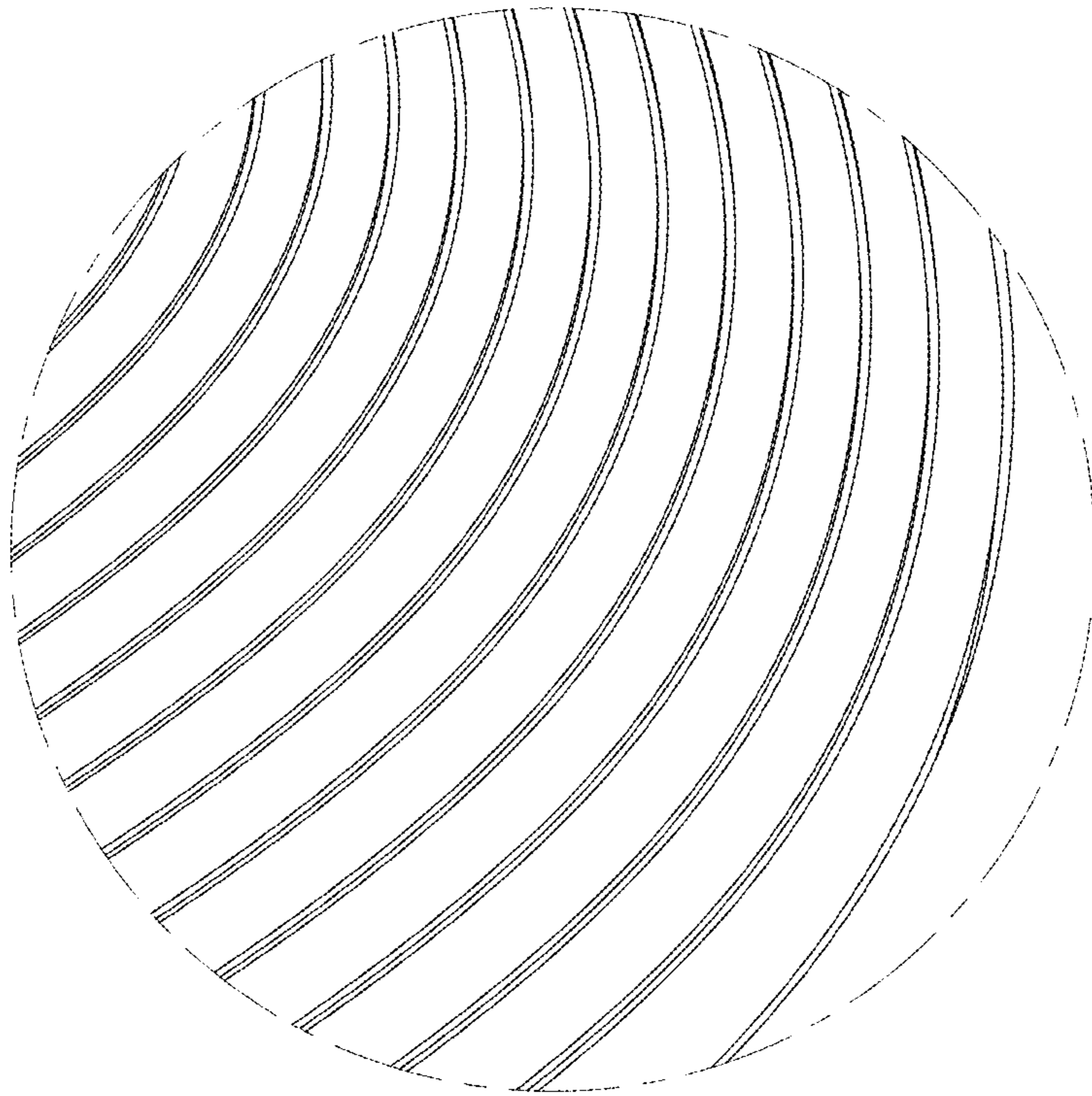


FIG. 9