



US00D943219S

(12) **United States Design Patent** (10) **Patent No.:** **US D943,219 S**
Guo (45) **Date of Patent:** **** Feb. 8, 2022**

(54) **ITCH SCRATCHER**
(71) Applicant: **NINGHAI ARK COMMODITY CO., LTD.**, Zhejiang (CN)
(72) Inventor: **Nenyan Guo**, Zhejiang (CN)
(73) Assignee: **NINGHAI ARK COMMODITY CO., LTD.**, Ningbo (CN)
(**) Term: **15 Years**
(21) Appl. No.: **29/747,536**
(22) Filed: **Aug. 24, 2020**
(51) **LOC (13) Cl.** **28-99**
(52) **U.S. Cl.**
USPC **D28/91.2**
(58) **Field of Classification Search**
USPC D28/9, 91.2, 99; D4/121, 127-128, 130, D4/132-134, 136; D32/35, 51, 52
CPC A45D 44/00; B25G 1/00; B25G 1/04
See application file for complete search history.

D878,056 S * 3/2020 Mikaelsson D4/127
D890,997 S * 7/2020 Allen D28/91.2
D908,287 S * 1/2021 Zheng D28/91.2
D909,068 S * 2/2021 Dye D4/134
D914,988 S * 3/2021 LaBonte D28/91.2
D925,128 S * 7/2021 Yang D28/91.2

OTHER PUBLICATIONS

Telescopic Back Scratcher, EASACE, first available on Jul. 2, 2020 on amazon.com, retrieved on Nov. 5, 2021, retrieved from the Internet URL: https://www.amazon.com/EASACE-Backscratchers-Telescoping-Retractable-Scratcher%EF%BC%88Blue%EF%BC%89/dp/B08C775P69/ref=sr_1_17_sspa?keywords=bristle%2Bback%2Bscratcher&qid=16360.*

* cited by examiner

Primary Examiner — Jennifer Rivard
Assistant Examiner — Alison M Ofstun

(57) **CLAIM**

The ornamental design for an itch scratcher, as shown and described.

DESCRIPTION

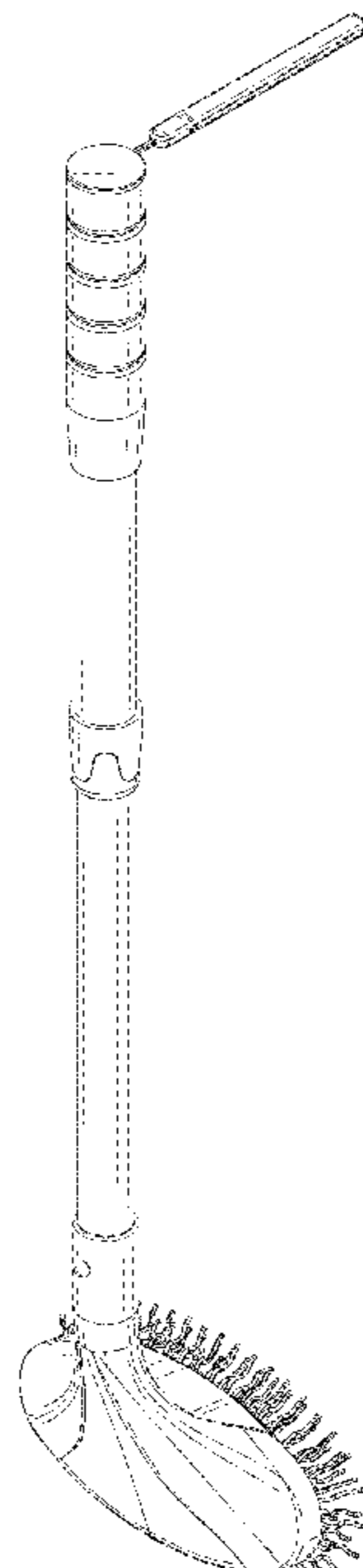
FIG. 1 is a perspective view of an itch scratcher showing my new design;
FIG. 2 is another perspective view thereof;
FIG. 3 is a front elevation view thereof;
FIG. 4 is a back elevation view thereof;
FIG. 5 is a left side view thereof;
FIG. 6 is a right side view thereof;
FIG. 7 is a an enlarged top plan view thereof;
FIG. 8 is an enlarged bottom plan view thereof; and,
FIG. 9 is an enlarged view of portion “9” shown in FIG. 4. The broken lines illustrate enlarged view indicators and form no part of the claimed design.

1 Claim, 9 Drawing Sheets

(56) **References Cited**

U.S. PATENT DOCUMENTS

D227,623 S * 7/1973 Spydevold D4/134
D311,645 S * 10/1990 Warwick D4/115
D451,288 S * 12/2001 Bean D4/121
D465,928 S * 11/2002 Solivan D4/115
D523,642 S * 6/2006 Hollinger D4/114
D599,114 S * 9/2009 Hinnant D4/114
7,730,570 B1 * 6/2010 Billups A47K 7/043
15/144.4
D825,192 S * 8/2018 Duvall A46B 5/021
D4/134
D835,347 S * 12/2018 Clarke D28/63
D840,694 S * 2/2019 Yun D4/127



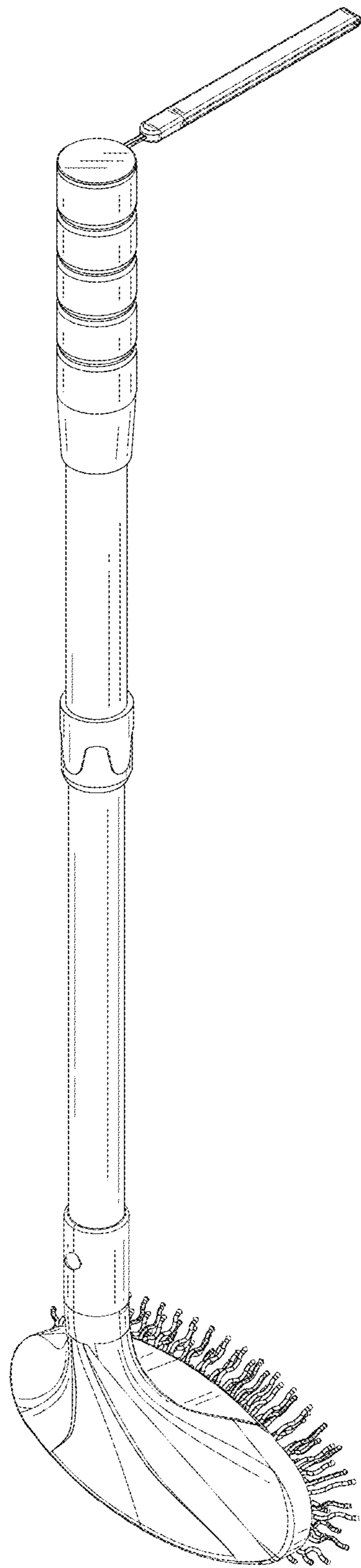


FIG. 1

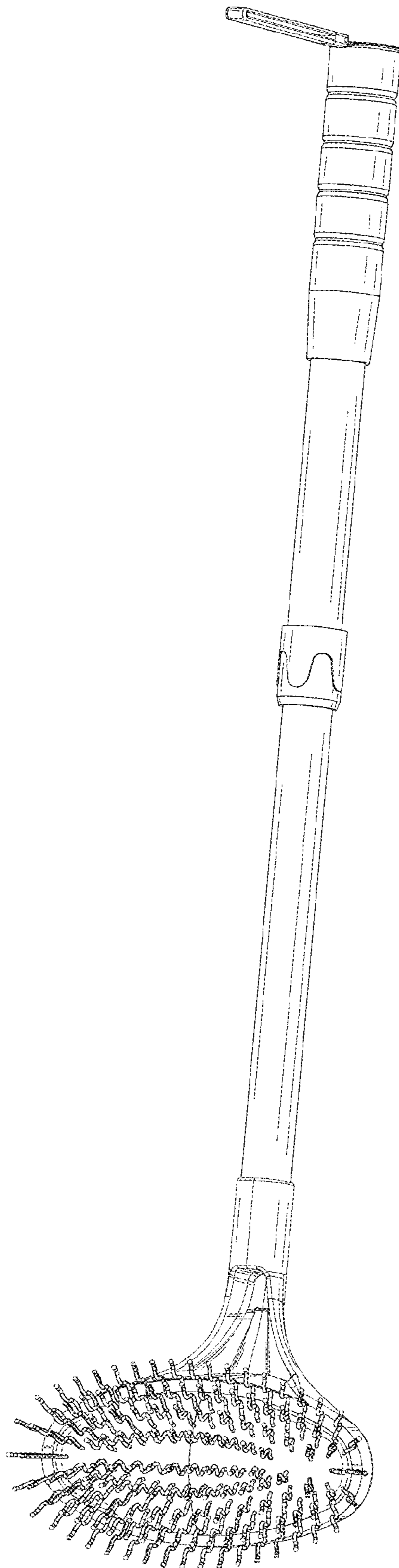


FIG. 2

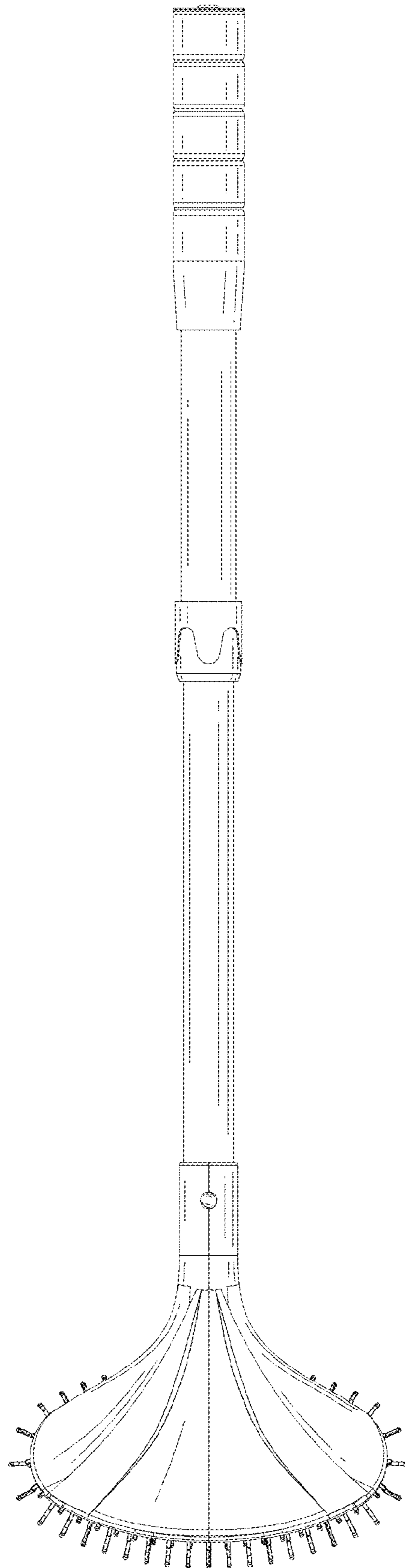


FIG. 3

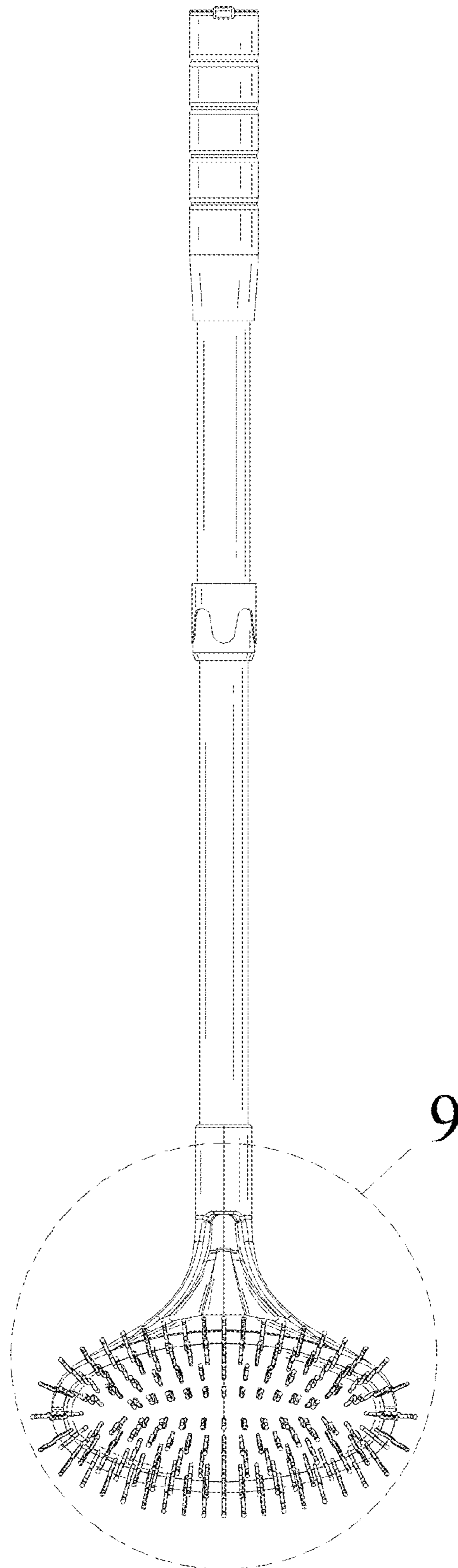


FIG. 4

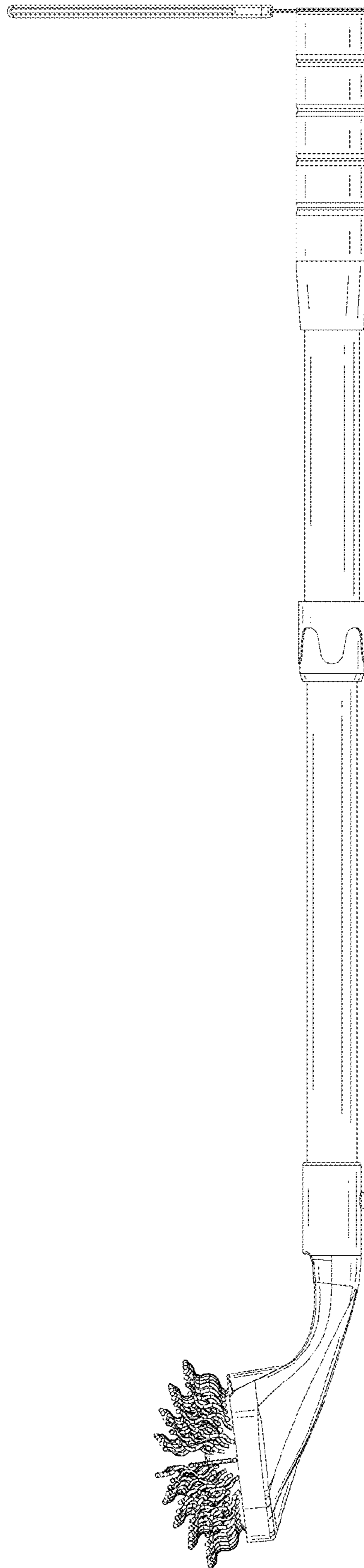


FIG. 5

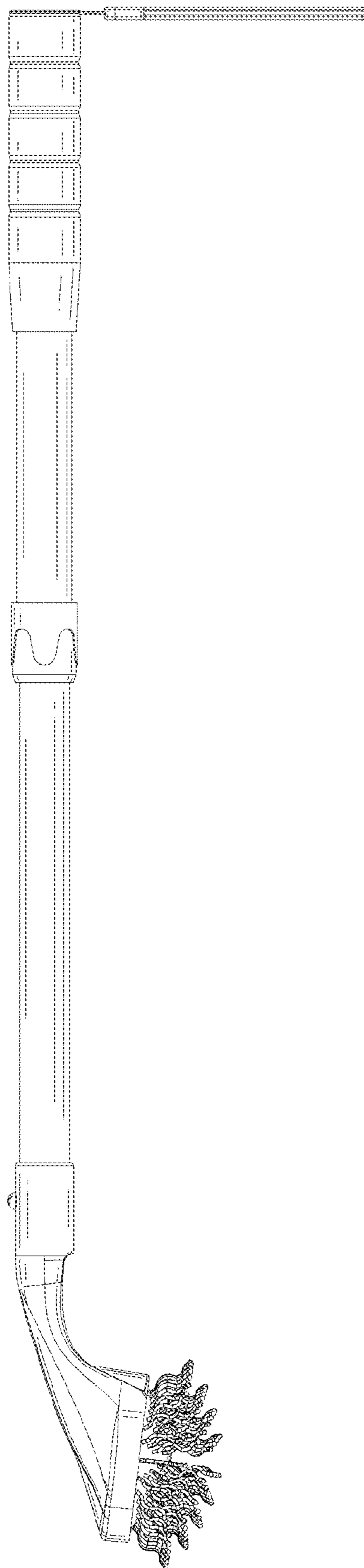


FIG. 6

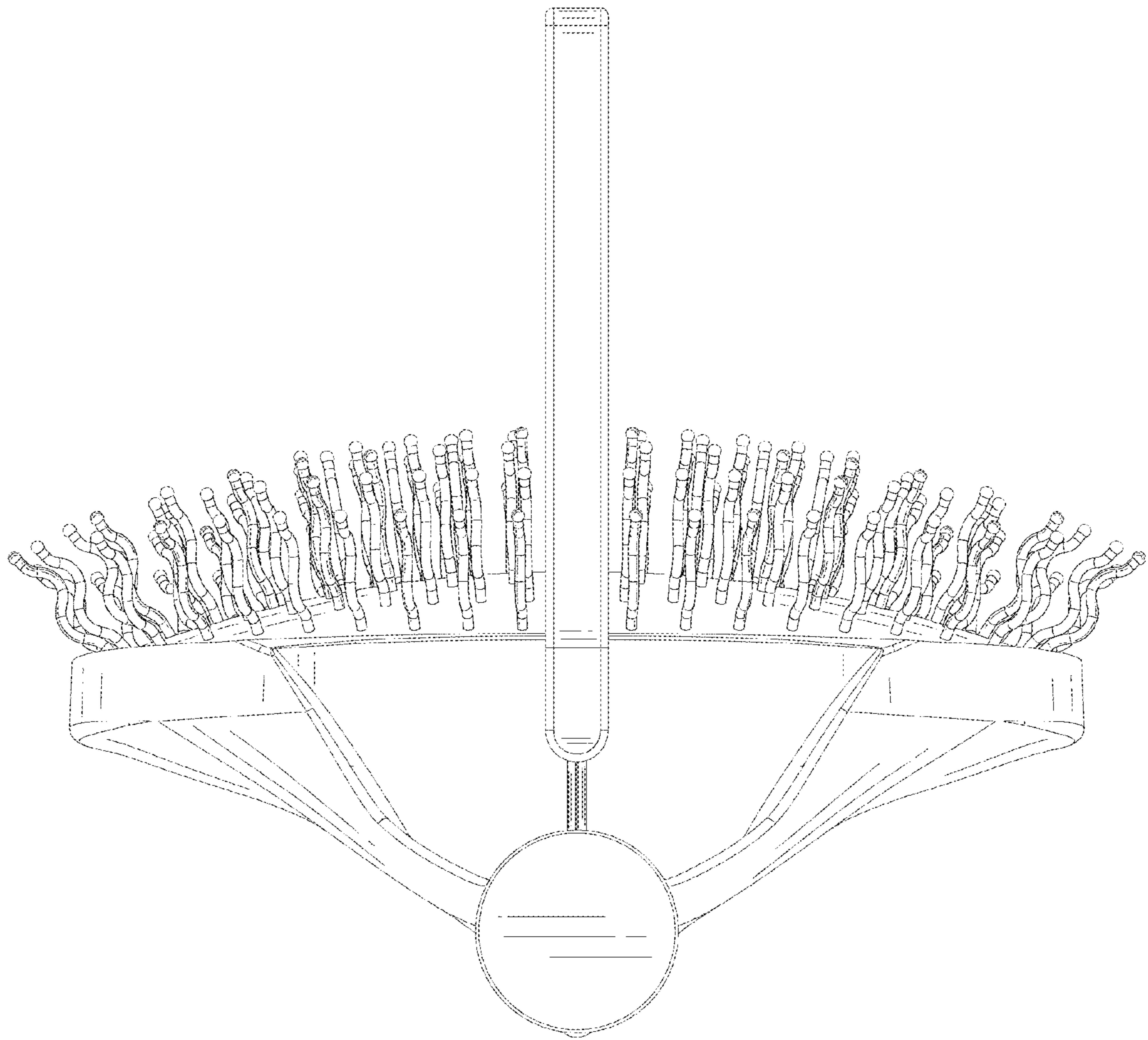


FIG. 7

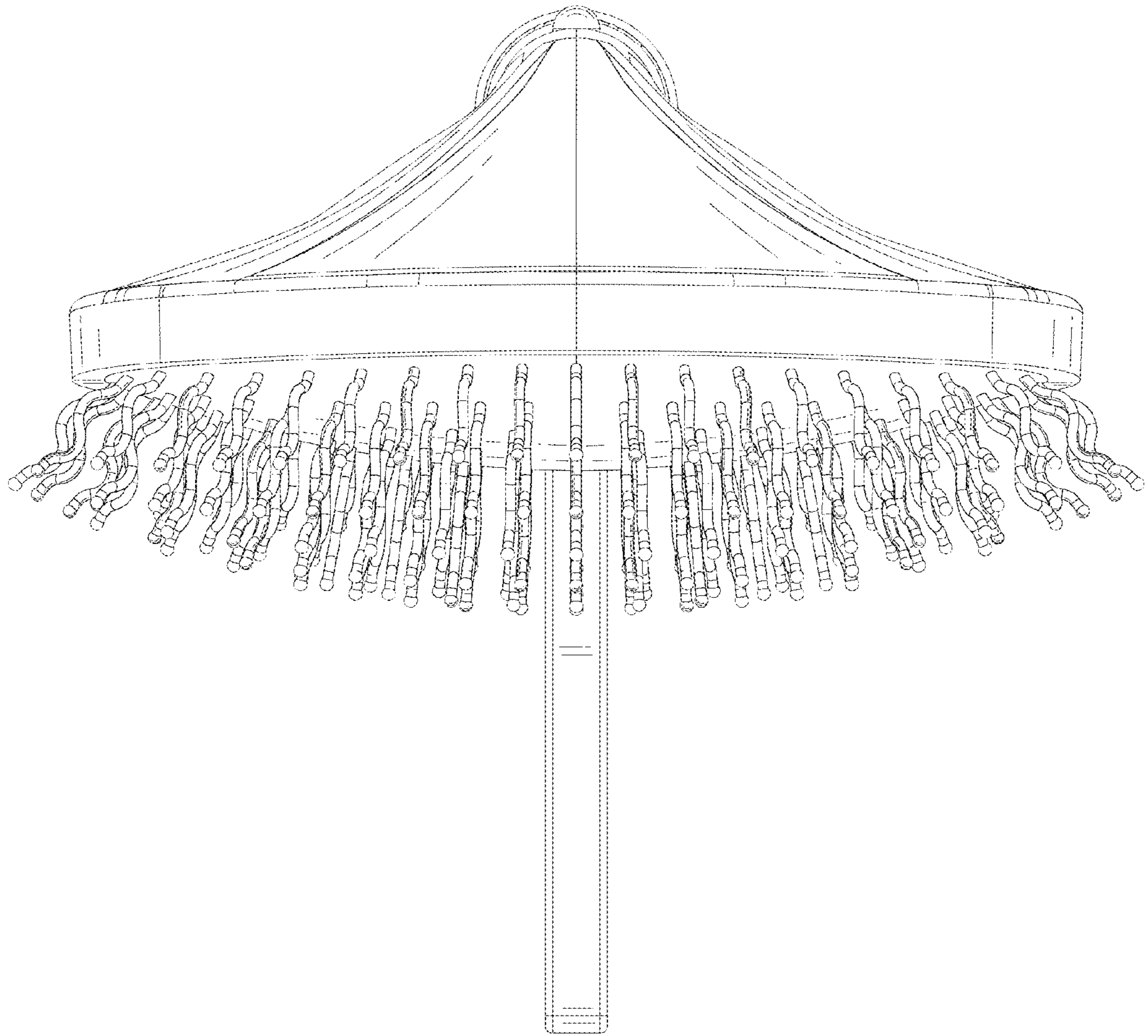


FIG. 8

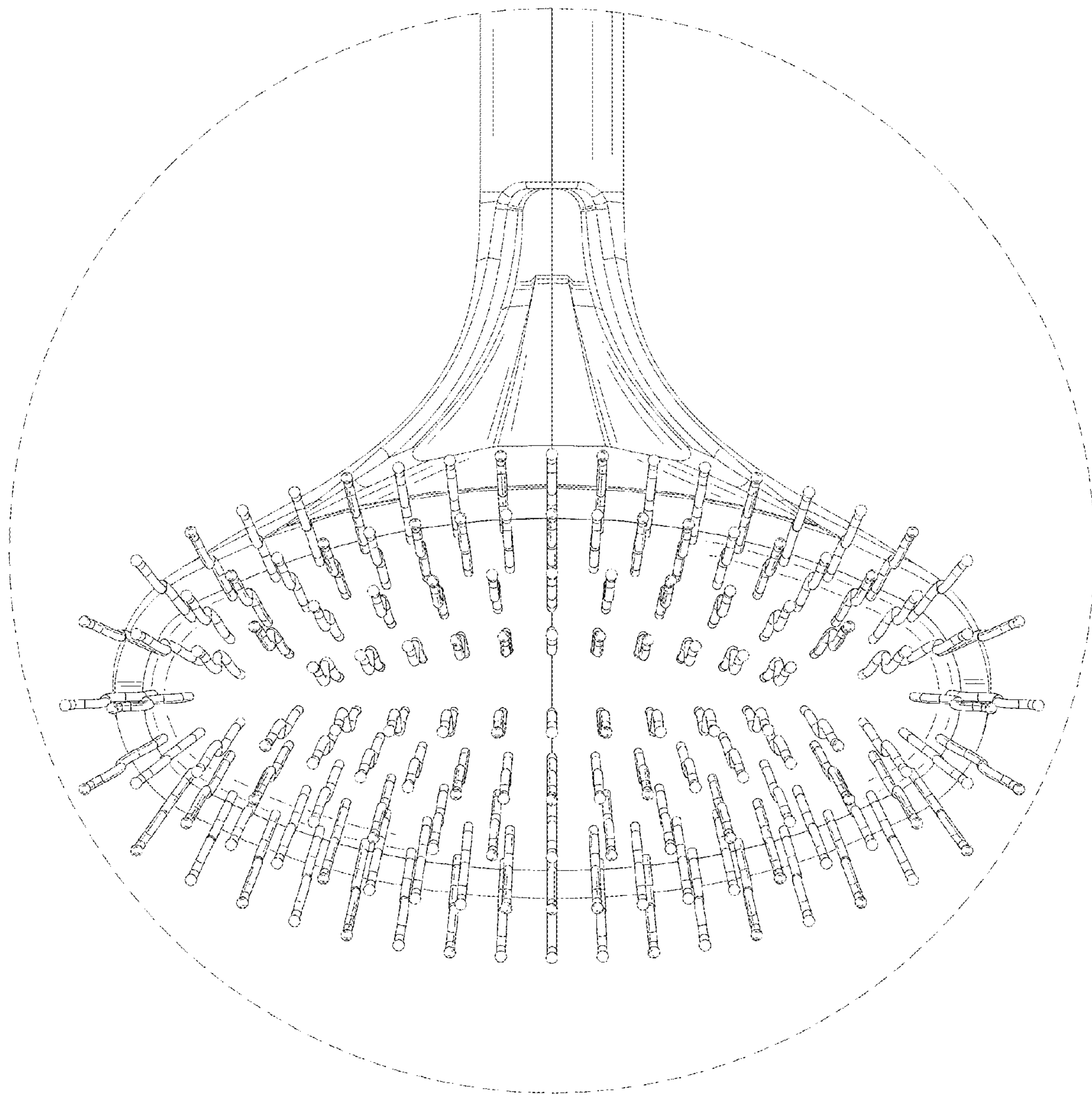


FIG. 9