



US00D943216S

(12) **United States Design Patent** (10) **Patent No.:** **US D943,216 S**
Choi et al. (45) **Date of Patent:** **** Feb. 8, 2022**

- (54) **COSMETIC COMPACT**
- (71) Applicant: **ELC MANAGEMENT LLC**, Melville, NY (US)
- (72) Inventors: **Hyung Jin Choi**, New York, NY (US); **Arthur de Grandpré**, Mt. Vernon, NY (US); **Laura Otani**, New York, NY (US)
- (73) Assignee: **ELC Management LLC**, Melville, NY (US)
- (**) Term: **15 Years**
- (21) Appl. No.: **29/739,600**
- (22) Filed: **Jun. 26, 2020**
- (51) **LOC (13) Cl.** **28-03**
- (52) **U.S. Cl.**
USPC **D28/83**
- (58) **Field of Classification Search**
USPC D28/76-84, 64.1; D9/430-432, 420, 425, D9/426, 503-506; D3/295, 294, 273, D3/274, 275
CPC .. A45D 33/006; A45D 33/003; A45D 33/025; A45D 33/34; A45D 40/22; A45D 40/222; A45D 40/223; A45D 40/114; A45D 40/24
See application file for complete search history.

- D579,153 S 10/2008 Lee
- D627,519 S * 11/2010 DeMarco D28/83
- D655,045 S * 2/2012 Paschoal D28/83
- D655,865 S * 3/2012 Villarreal D28/83
- D730,581 S * 5/2015 Hwang D28/83
- D736,468 S * 8/2015 Goswell D28/83
- D752,813 S * 3/2016 Villarreal D28/84
- D753,882 S * 4/2016 Chertoff D28/83

(Continued)

OTHER PUBLICATIONS

Cosmetic Compact By: Sister Cosmetics Packaging Co. Ltd found on line Apr. 19, 2020 <https://www.sisterpackaging.com/product/2020-empty-cosmetic-compact/?portfolioCats=30> (2020).*

(Continued)

Primary Examiner — Rebecca Tsehaye
(74) *Attorney, Agent, or Firm* — Yonggang Wu; Tiffany A. Johnson

(57) **CLAIM**

The ornamental design for a cosmetic compact, as shown and described.

DESCRIPTION

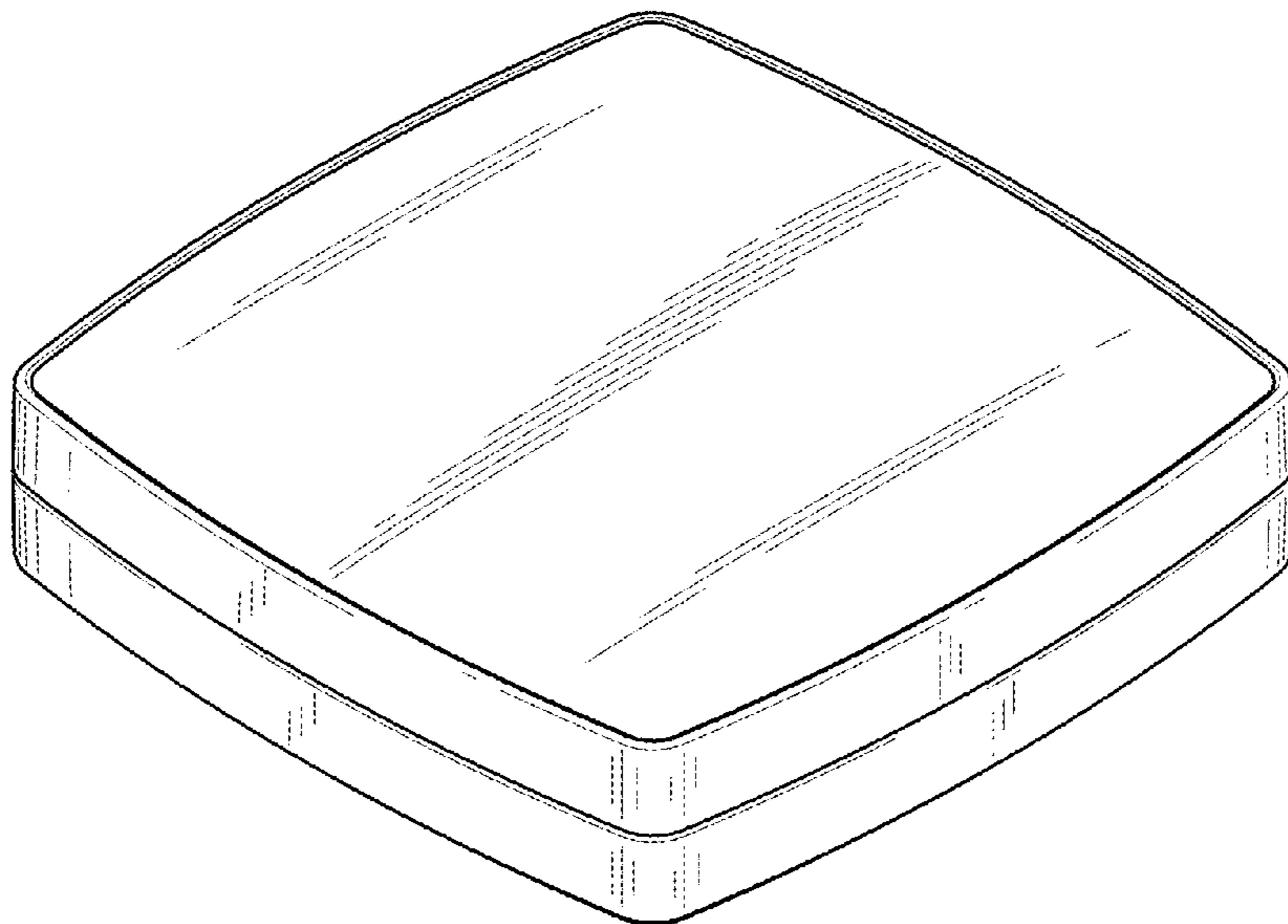
FIG. 1 is a top front perspective view of a cosmetic compact showing the claimed design;
FIG. 2 is a bottom perspective view thereof;
FIG. 3 is a front view thereof;
FIG. 4 is a rear view thereof;
FIG. 5 is a left view thereof;
FIG. 6 is a right view thereof;
FIG. 7 is a top view thereof;
FIG. 8 is a bottom view thereof; and,
FIG. 9 is a top front perspective view of the cosmetic compact of FIG. 1 in an open configuration.
The broken lines in the figures show portions of the cosmetic compact that form no part of the claimed design.

1 Claim, 7 Drawing Sheets

(56) **References Cited**

U.S. PATENT DOCUMENTS

- 5,638,838 A 6/1997 Lombardi
- D401,017 S * 11/1998 Thorpe D28/78
- D428,210 S 7/2000 Gavin
- D456,954 S 5/2002 Restrepo
- D462,809 S * 9/2002 LaSpina D28/78
- D478,397 S 8/2003 Bakic
- D491,315 S 6/2004 Dittmer et al.
- D504,743 S 5/2005 Kostow
- D553,799 S 10/2007 Williams



(56)

References Cited

U.S. PATENT DOCUMENTS

D821,034 S 6/2018 Langdon et al.
D835,350 S * 12/2018 Weinrich D28/83
D845,551 S * 4/2019 Weinrich D28/83
D861,991 S 10/2019 Liston
D880,071 S * 3/2020 Weinrich D28/83
D882,262 S * 4/2020 Zhang D3/294
D884,974 S * 5/2020 Kim D28/83

OTHER PUBLICATIONS

U.S. Appl. No. 29/739,596, filed Jun. 26, 2020, Choi et al.
U.S. Appl. No. 29/739,605, filed Jun. 26, 2020, Choi et al.
U.S. Appl. No. 29/739,607, filed Jun. 26, 2020, Choi et al.
Refillable Makeup Compact By: Make up for Ever Found online
May 21, 2021 <https://www.google.com/shopping/product/9981187547004079174?q=rectangular+cosmetic+compact&safe=active&ifsig=9/20/2022>.
Silver Powder Cosmetic Compact By: DartSilver LTD found Online
Apr. 26, 2021 <https://dartsilverltd.co.uk/product/silver-powder-cosmetic-compact-polish-krupski-matulewicz-c-1930s/>.
Square Cushion Compact By: Toly found online May 21, 2021
<https://www.toly.com/news/12359407/tolys-luxurious-magnetic-soft-square-cushion-compact/>.
Taiwanese search report from counterpart TW application 109307249.
Taiwanese search report from counterpart TW application 109307250.
Taiwanese search report from counterpart TW application 109307252.
Taiwanese search report from counterpart TW application 109307253.

* cited by examiner

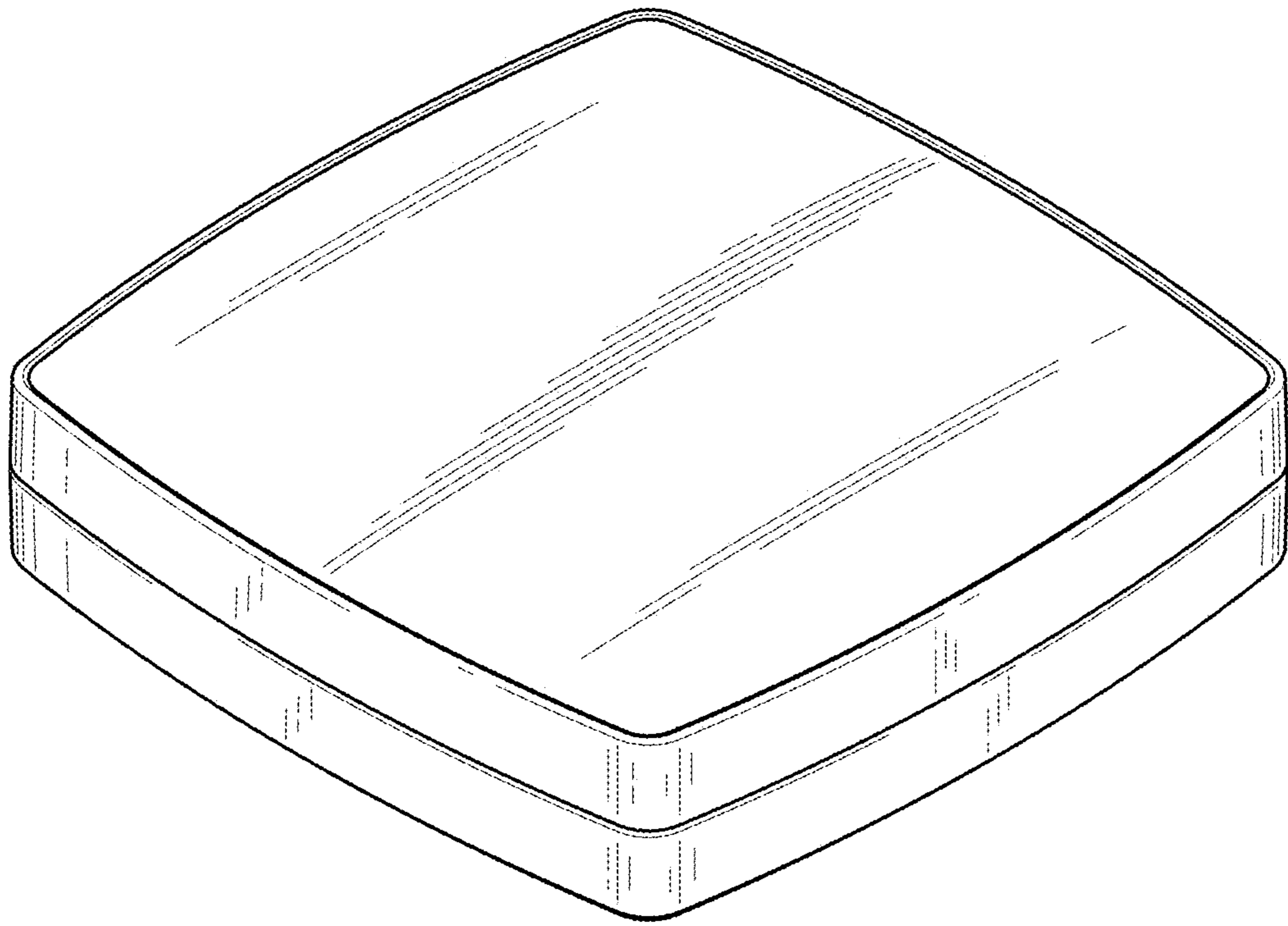


FIG. 1

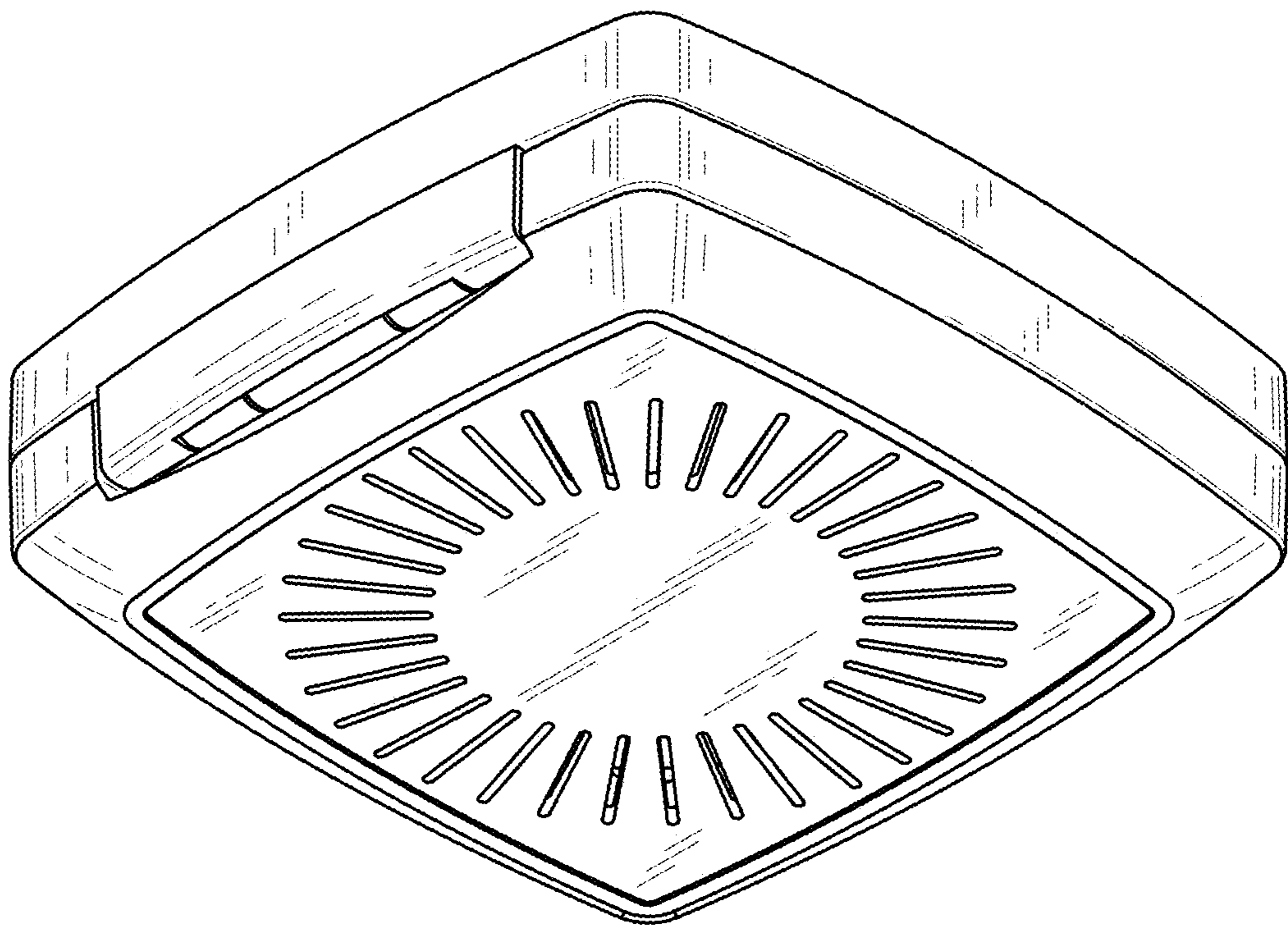


FIG. 2

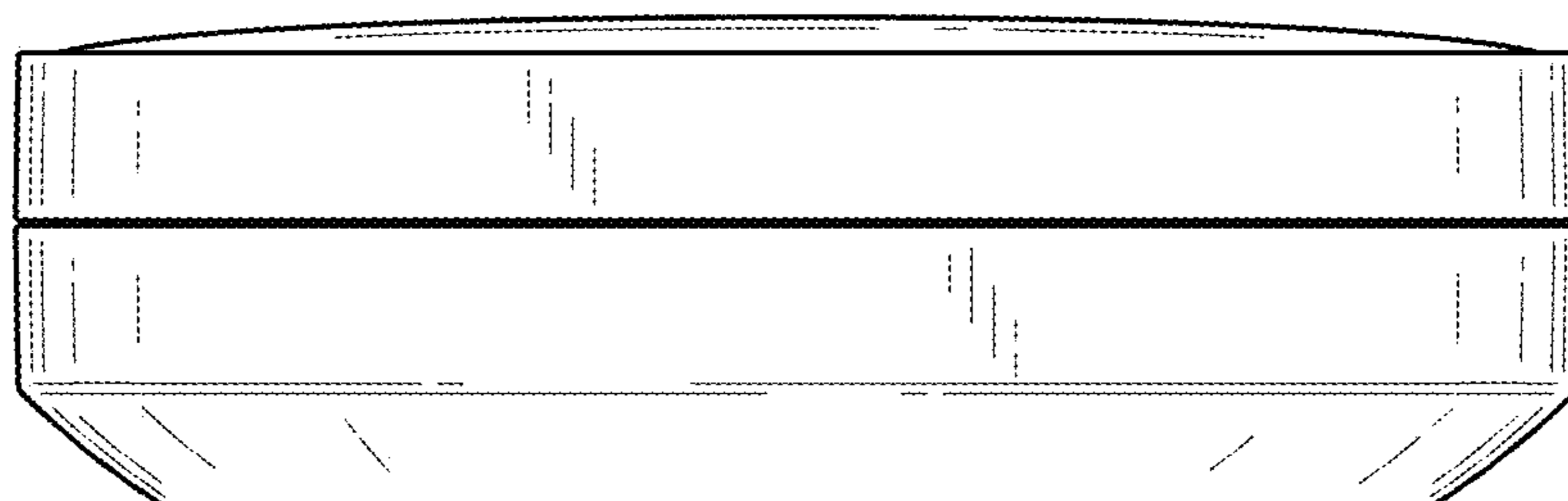


FIG. 3

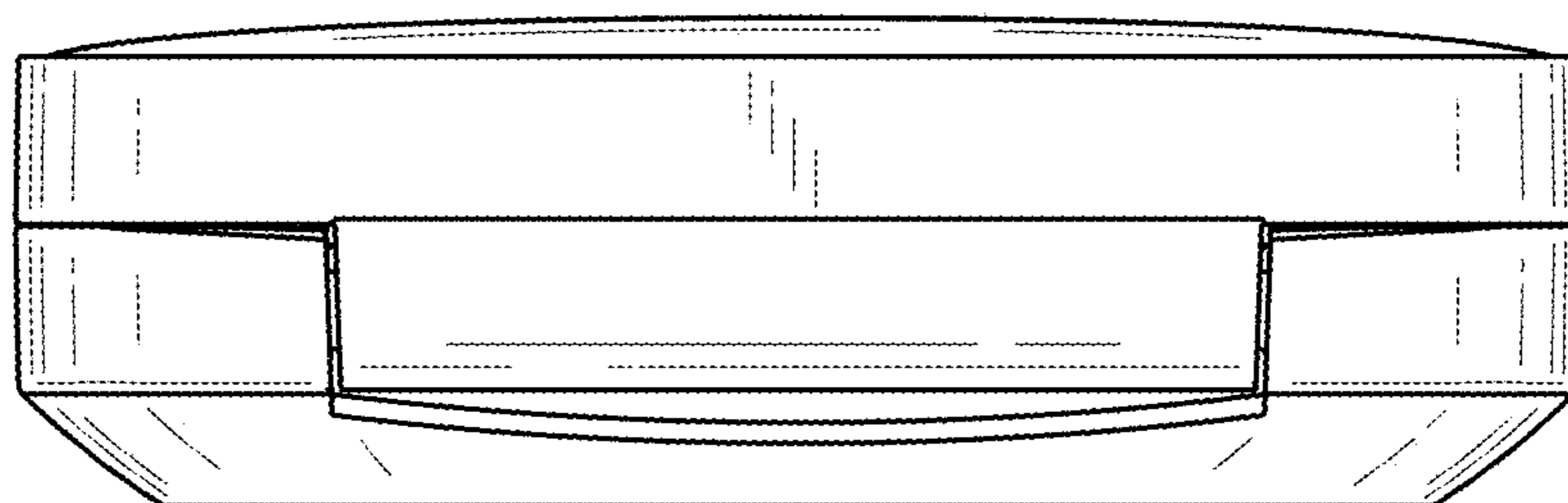


FIG. 4

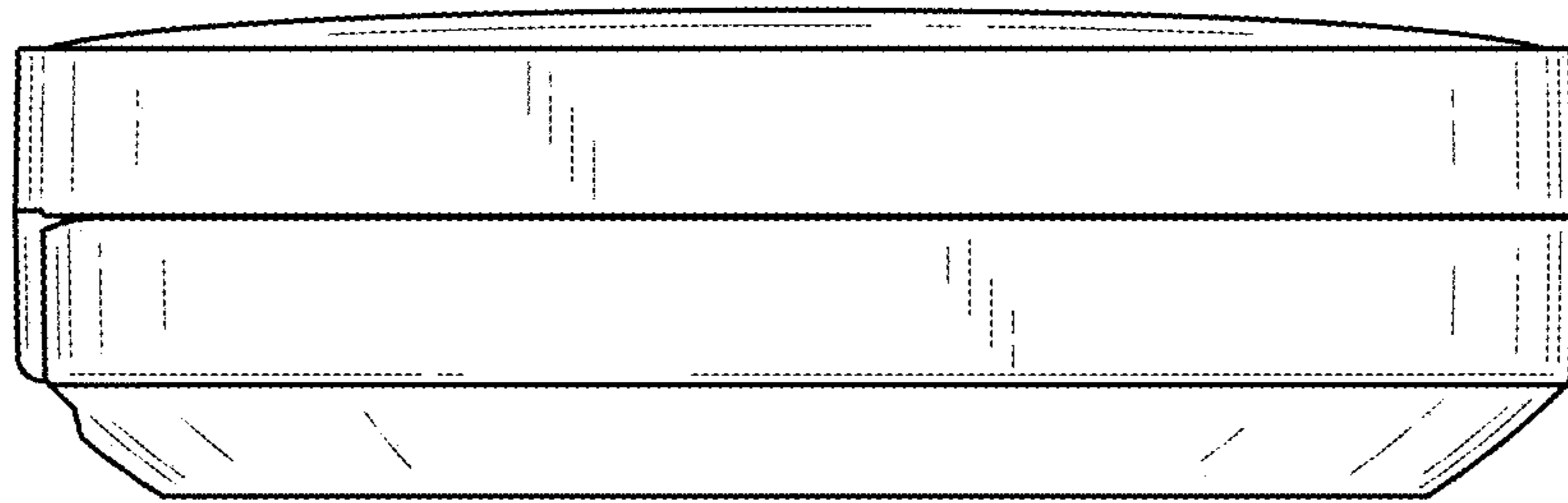


FIG. 5

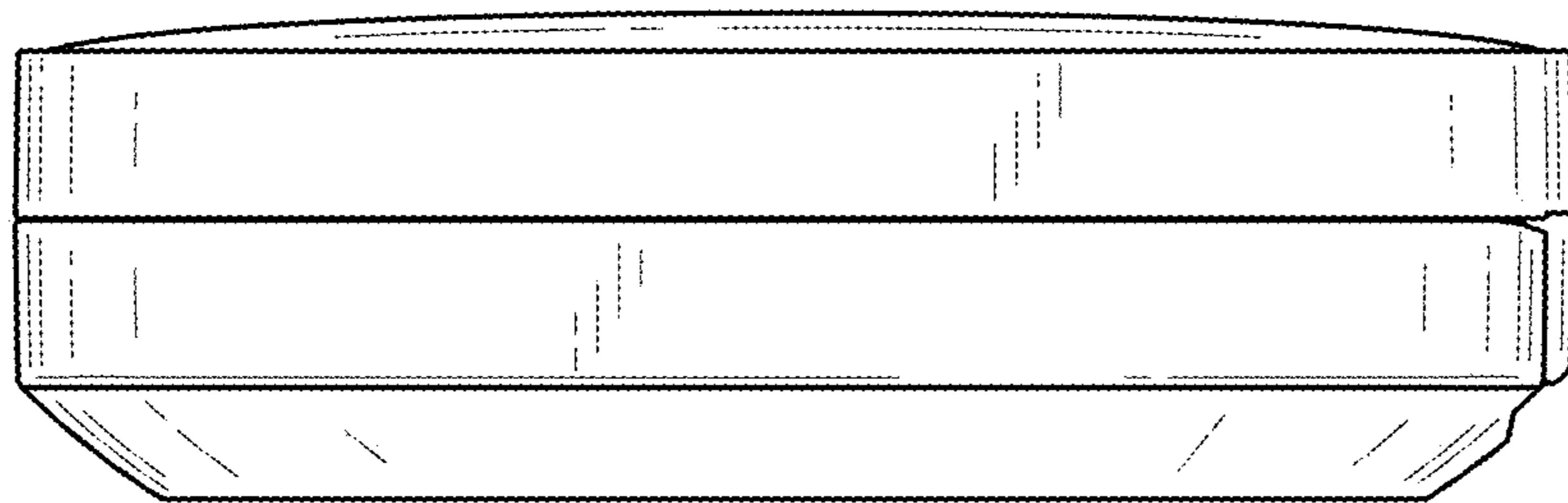


FIG. 6

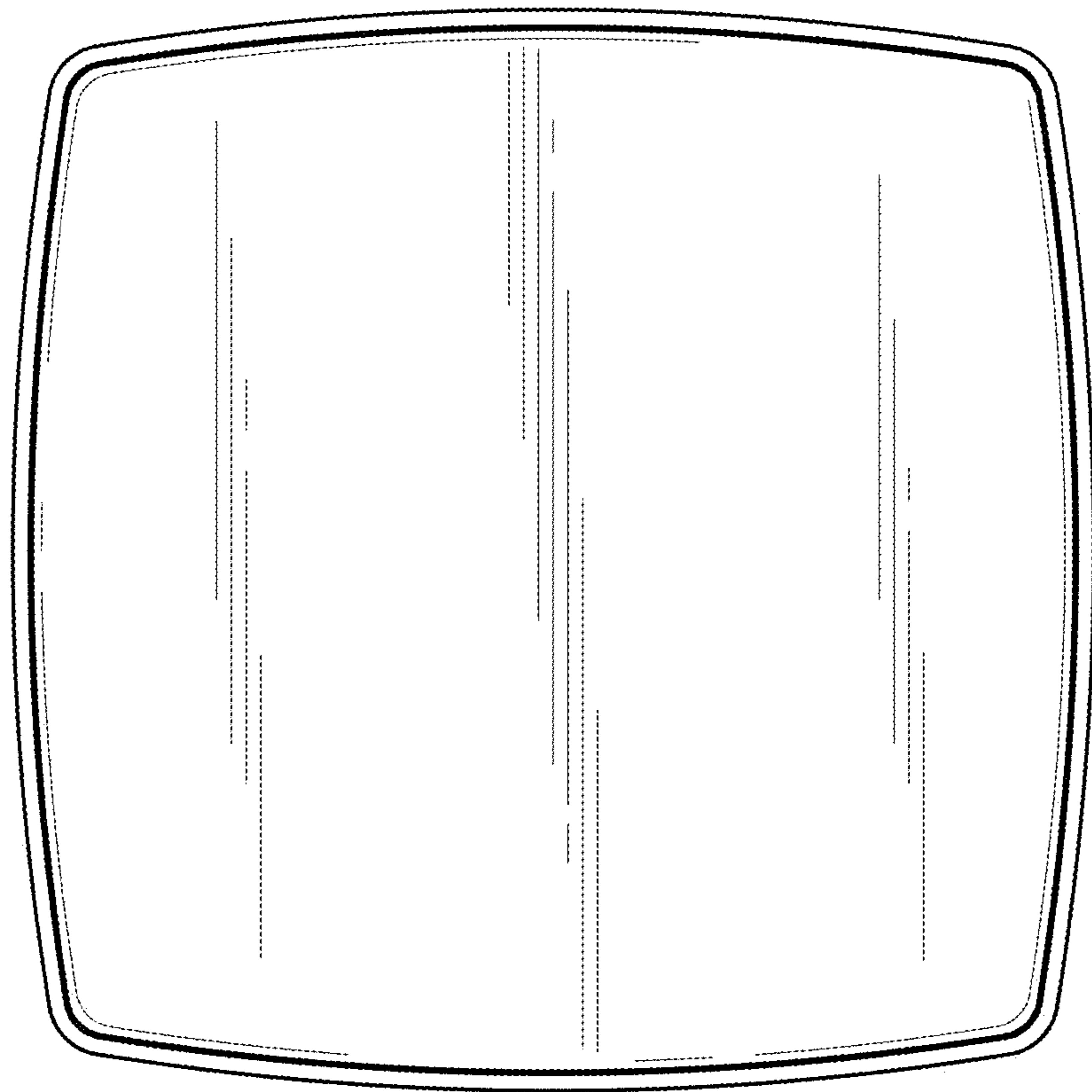


FIG. 7

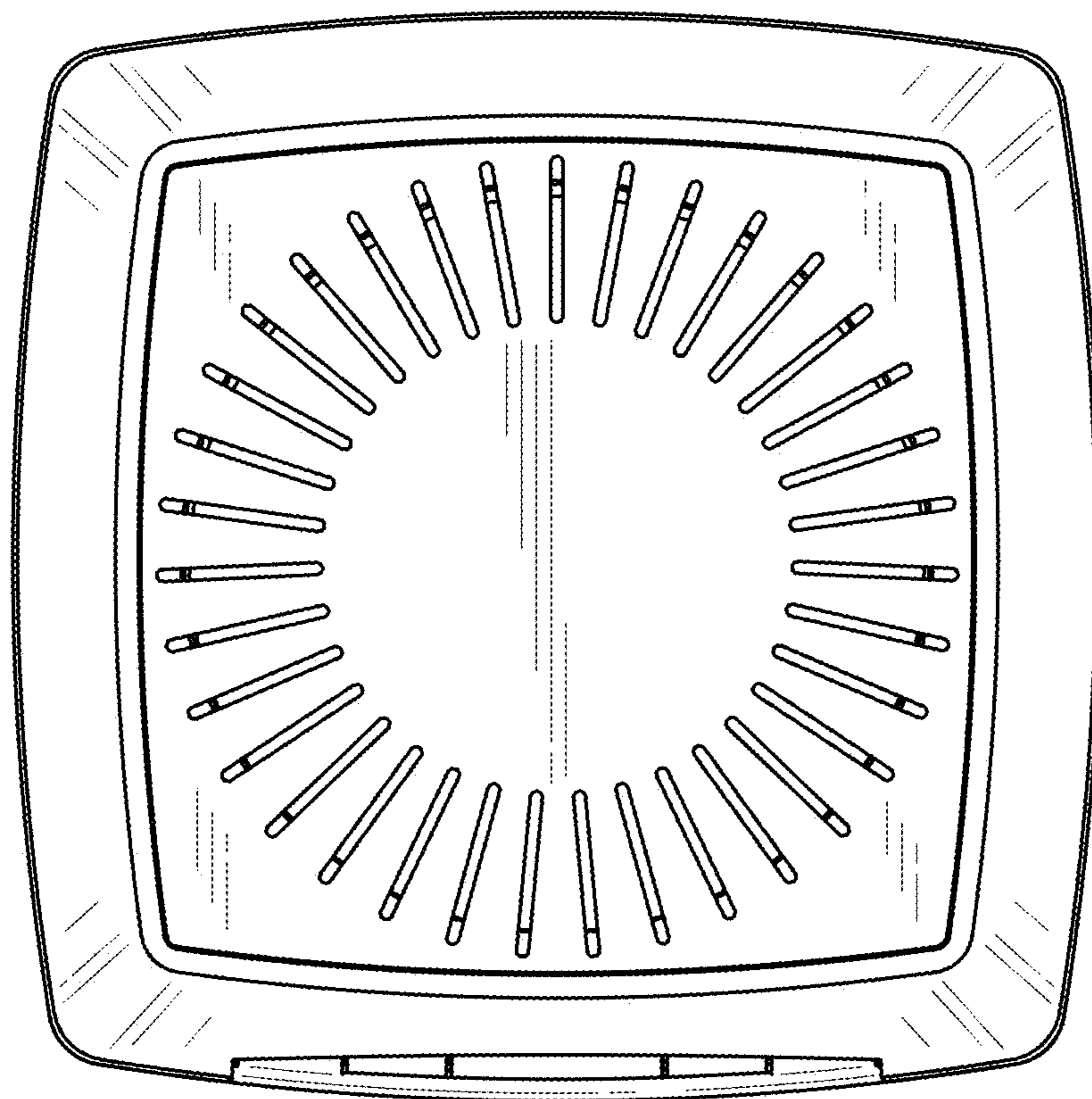


FIG. 8

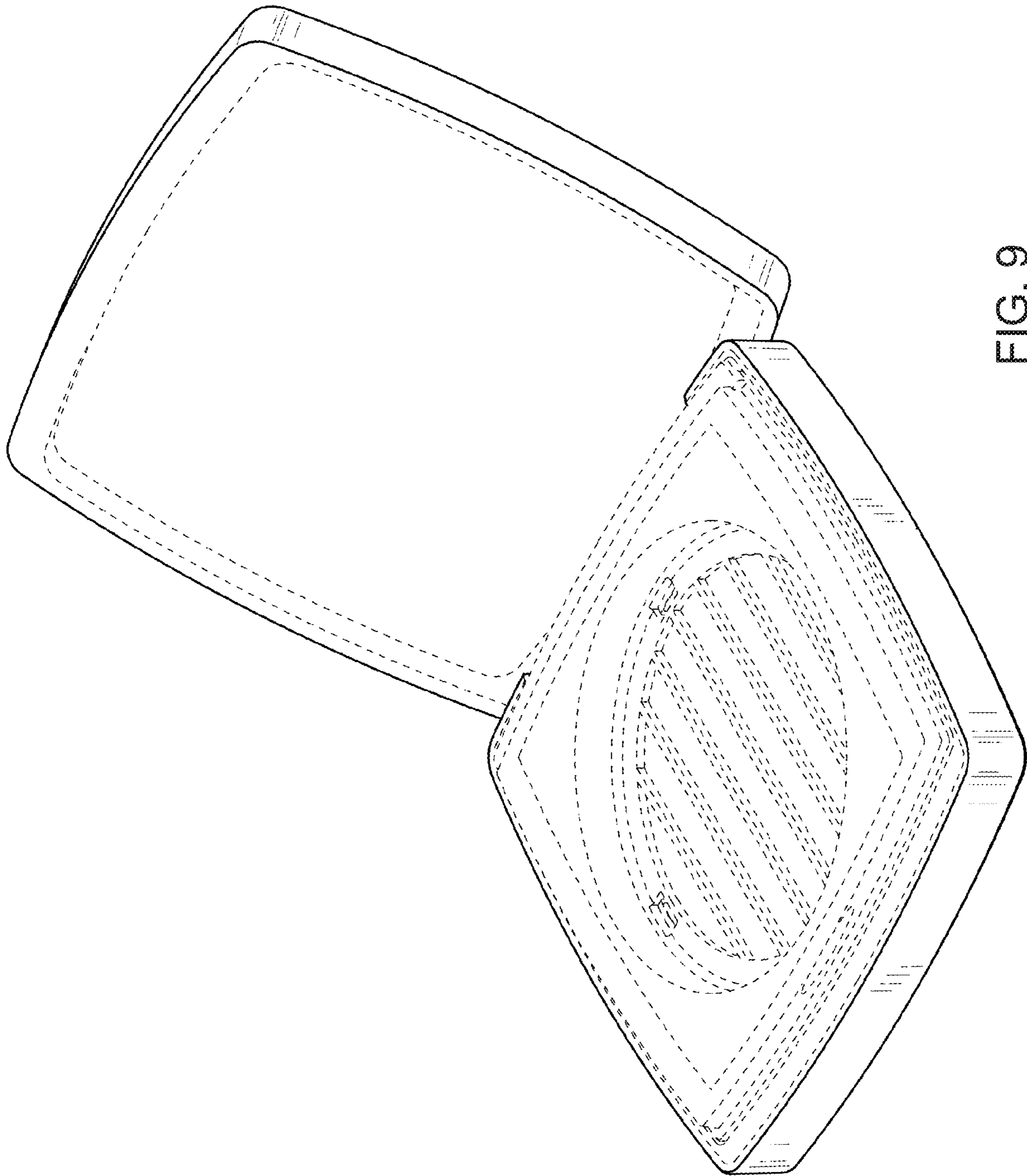


FIG. 9