

US00D943214S

(12) **United States Design Patent** (10) **Patent No.:** **US D943,214 S**  
**Matsuishi** (45) **Date of Patent:** **\*\* Feb. 8, 2022**

(54) **POWDER COMPACT**  
(71) Applicant: **Midori Matsuishi**, Tokyo (JP)  
(72) Inventor: **Midori Matsuishi**, Tokyo (JP)  
(73) Assignee: **SHISEIDO COMPANY, LIMITED**,  
Tokyo (JP)  
(\*\*) Term: **15 Years**  
(21) Appl. No.: **29/737,104**  
(22) Filed: **Jun. 5, 2020**  
(51) **LOC (13) Cl.** ..... **28-03**  
(52) **U.S. Cl.**  
USPC ..... **D28/82**  
(58) **Field of Classification Search**  
USPC ..... D28/73, 76-82, 64.1; D9/426, 428, 429,  
D9/503, 504; D3/201, 203.1, 203.2,  
D3/203.3  
CPC .. A45D 33/006; A45D 33/003; A45D 33/025;  
A45D 33/34; A45D 2200/05  
See application file for complete search history.

D857,996 S \* 8/2019 Chen ..... D28/82  
D861,989 S \* 10/2019 Jeong ..... D28/78  
D866,334 S \* 11/2019 Wieland ..... D9/504  
D898,294 S \* 10/2020 Kikuchi ..... D28/82  
D898,295 S \* 10/2020 Kikuchi ..... D28/82  
D917,787 S \* 4/2021 Kim ..... D28/82

**OTHER PUBLICATIONS**

Portable Loose Powder Container Makeup Case By: Topwon found on Amazon May 20, 2021 <https://www.amazon.com/Topwon-Portable-Powder-Container-Makeup/dp/B01J2YE2D0> Oct. 10, 2017.\*

\* cited by examiner

*Primary Examiner* — Rebecca Tsehaye  
(74) *Attorney, Agent, or Firm* — Manabu Kanesaka

(57) **CLAIM**

The ornamental design for a powder compact, as shown and described.

**DESCRIPTION**

FIG. 1 is a perspective view of a powder compact showing my new design;  
FIG. 2 is a front view thereof, a rear view, left side view, and right side view being identical to the front view;  
FIG. 3 is a plan view thereof;  
FIG. 4 is a bottom view thereof;  
FIG. 5 is a cross-sectional view thereof along the line 5-5 in FIG. 2; and,  
FIG. 6 is a front view thereof, wherein the lid is removed. The broken lines depict portions of the powder compact that form no part of claimed design.

**1 Claim, 3 Drawing Sheets**

(56) **References Cited**

**U.S. PATENT DOCUMENTS**

D398,079 S \* 9/1998 Denison ..... D28/77  
D442,338 S \* 5/2001 Roman ..... D28/82  
D514,936 S \* 2/2006 Pace ..... D9/504  
D523,752 S \* 6/2006 Bried ..... D9/504  
D524,989 S \* 7/2006 Lombardi ..... D28/82  
D622,003 S \* 8/2010 Naughton ..... D28/82  
D732,740 S \* 6/2015 Yoon ..... D28/82  
D744,698 S \* 12/2015 Kalyanpur ..... D28/82  
D788,371 S \* 5/2017 Lee ..... D28/82  
D817,551 S \* 5/2018 Montoli ..... A45D 33/008  
D28/82  
D846,195 S \* 4/2019 Kang ..... D28/82  
D853,036 S \* 7/2019 Lee ..... D28/82

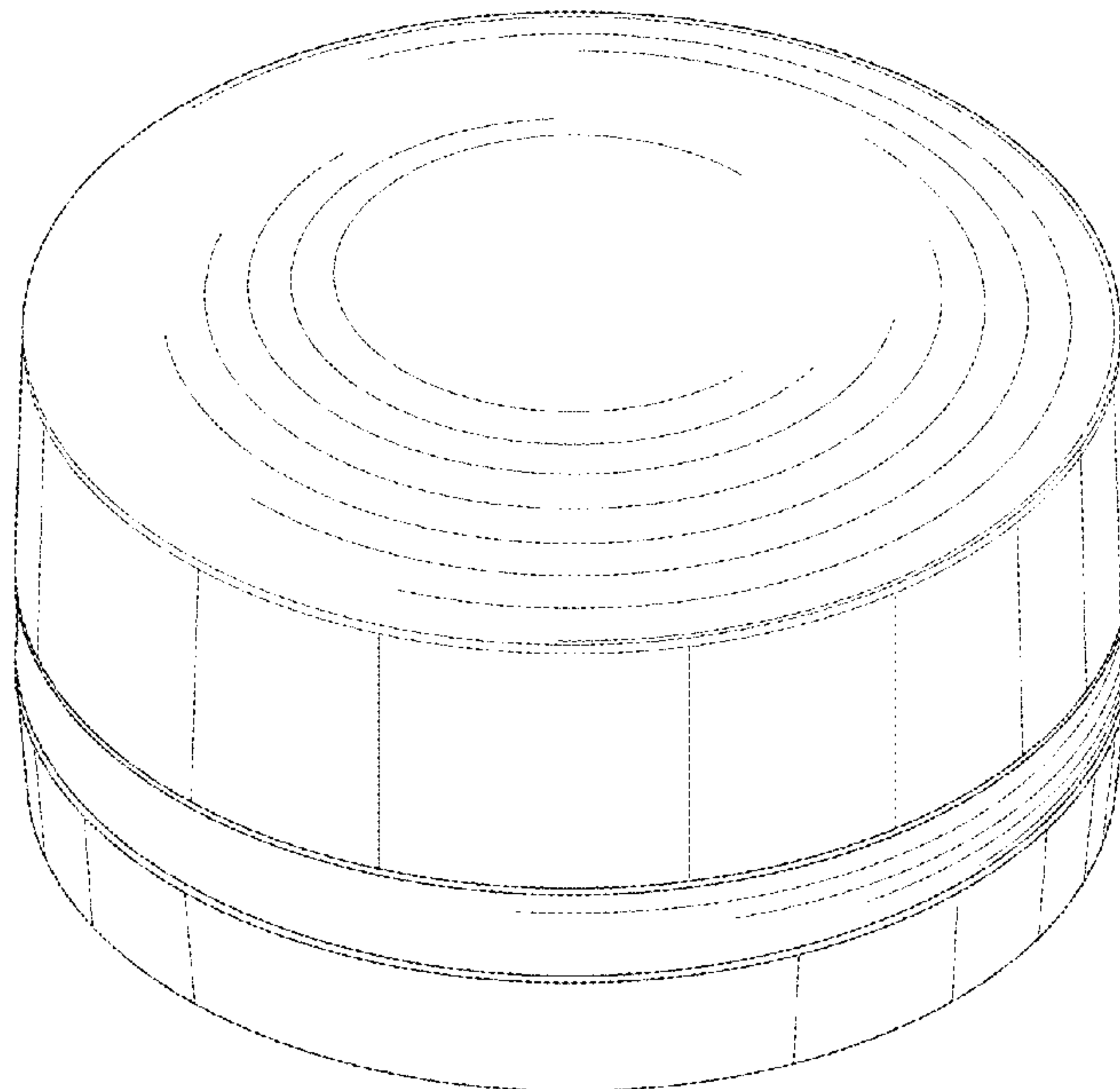


Fig.1

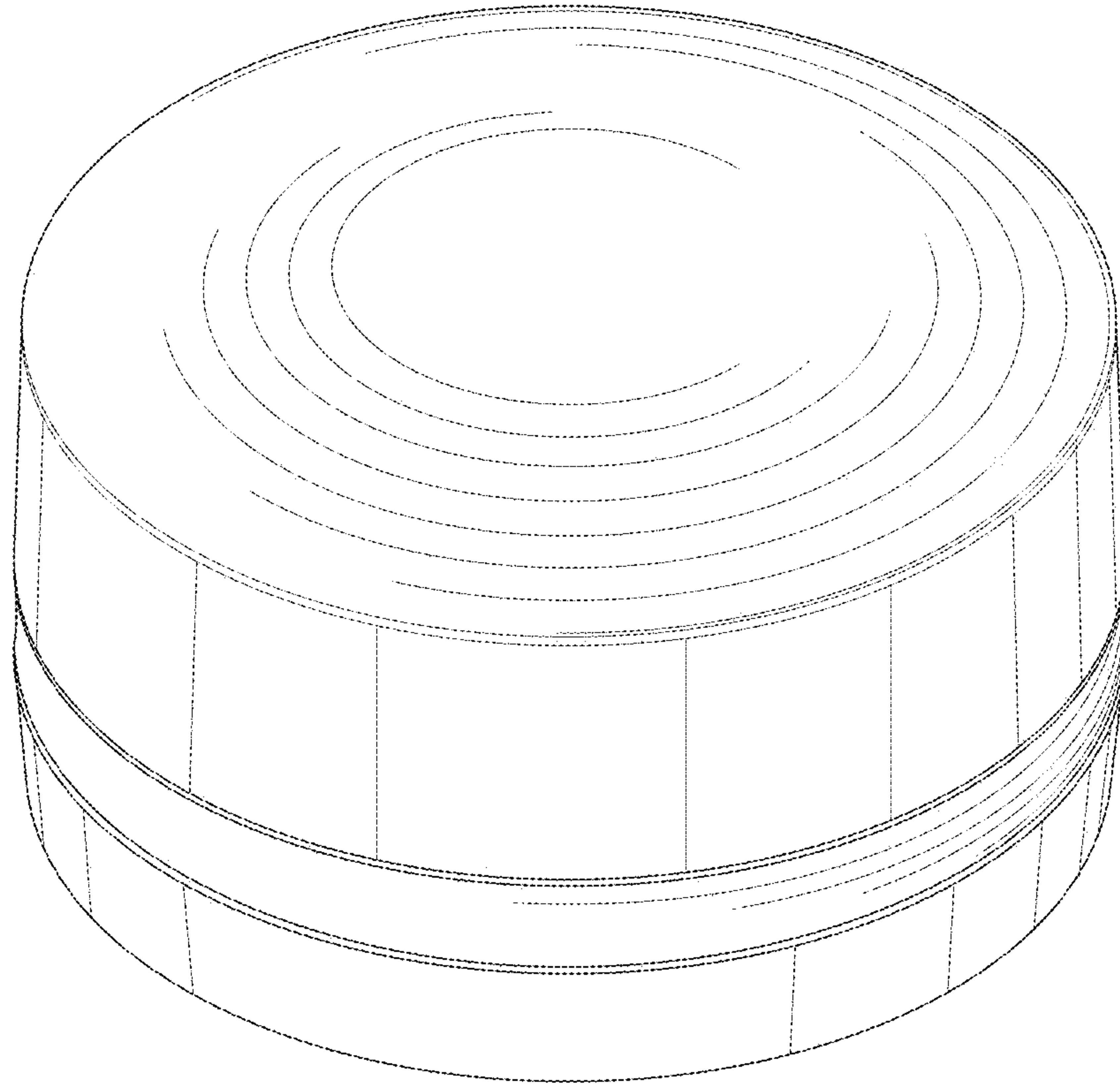


Fig.2

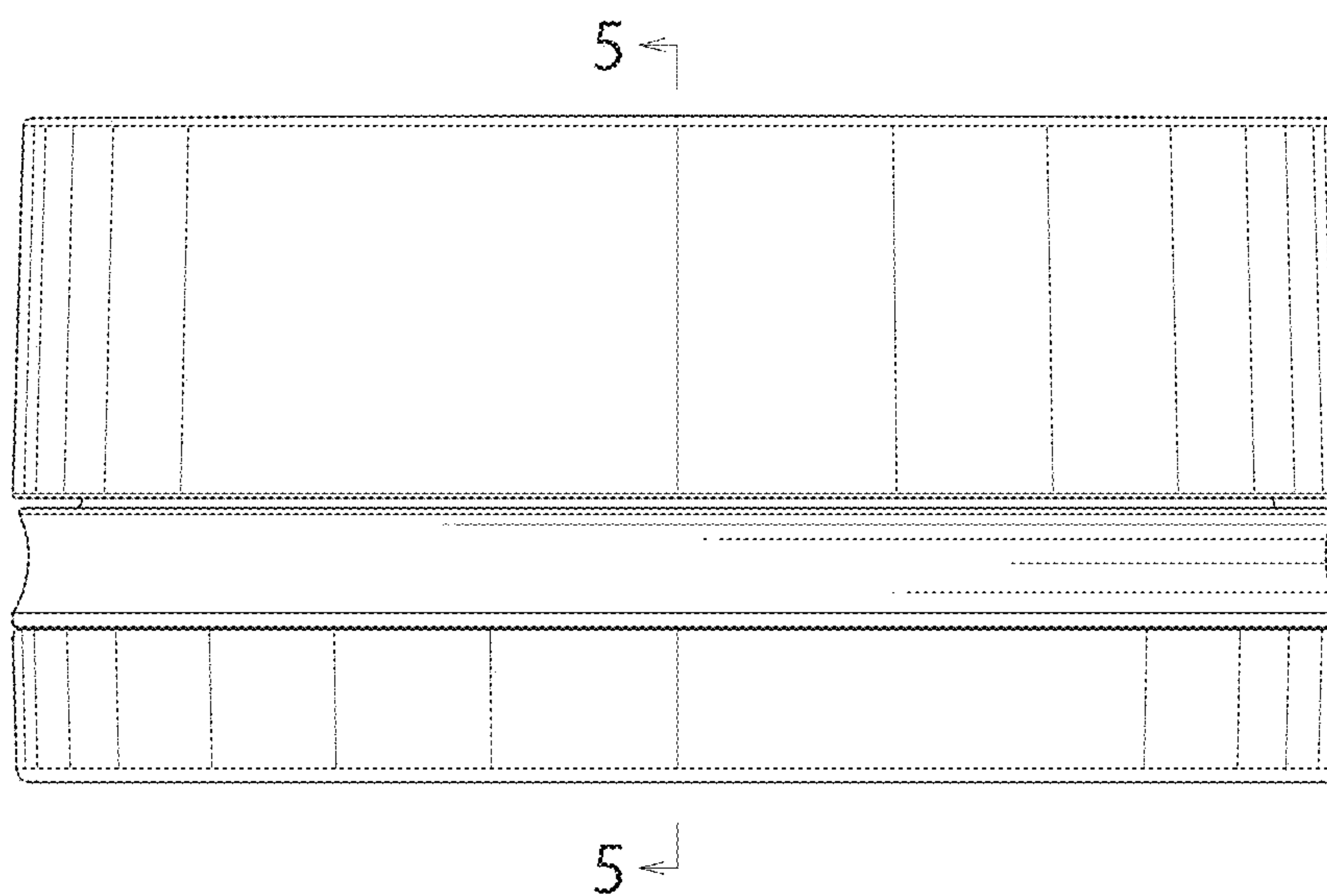


Fig.3

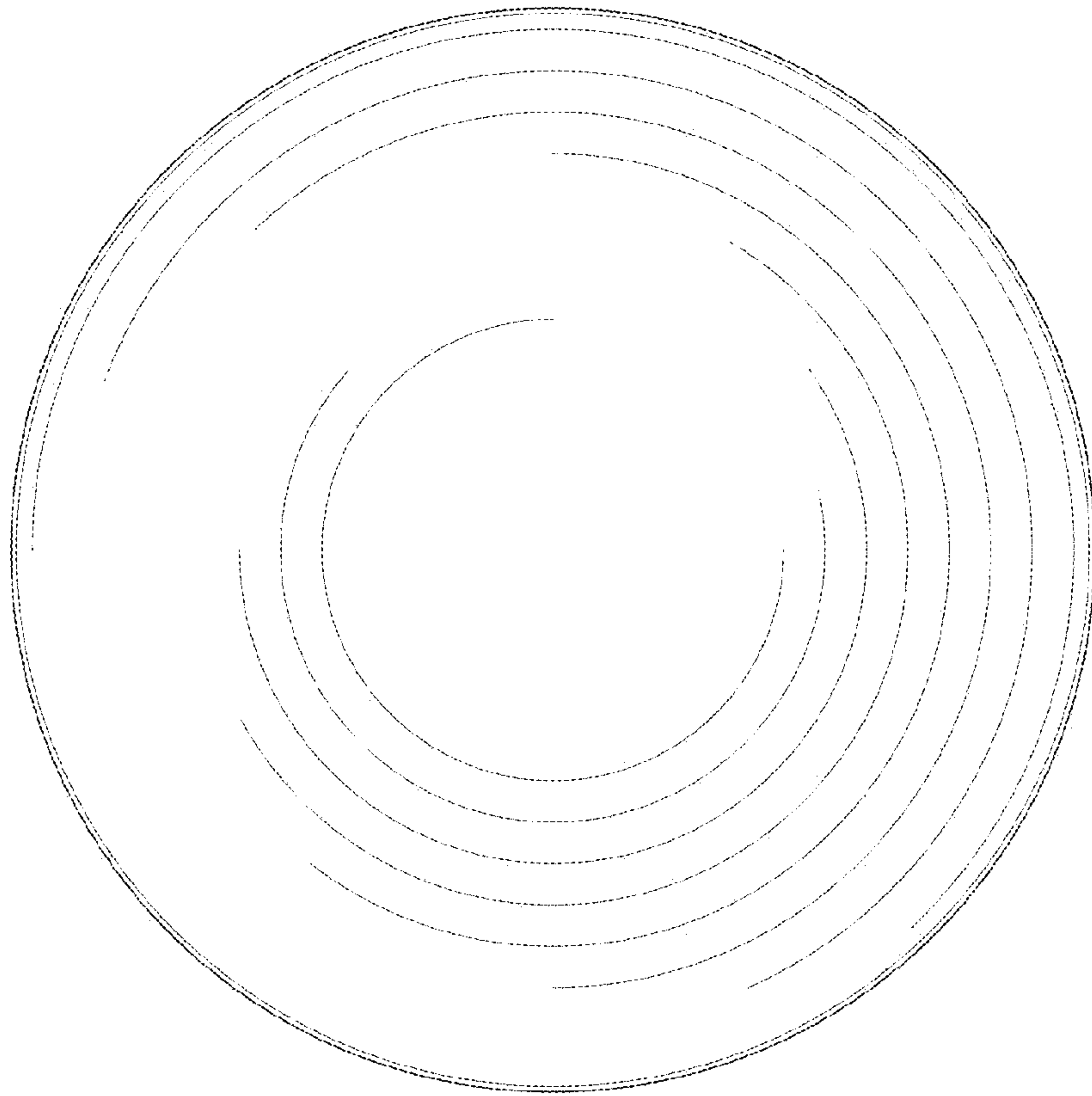


Fig.4

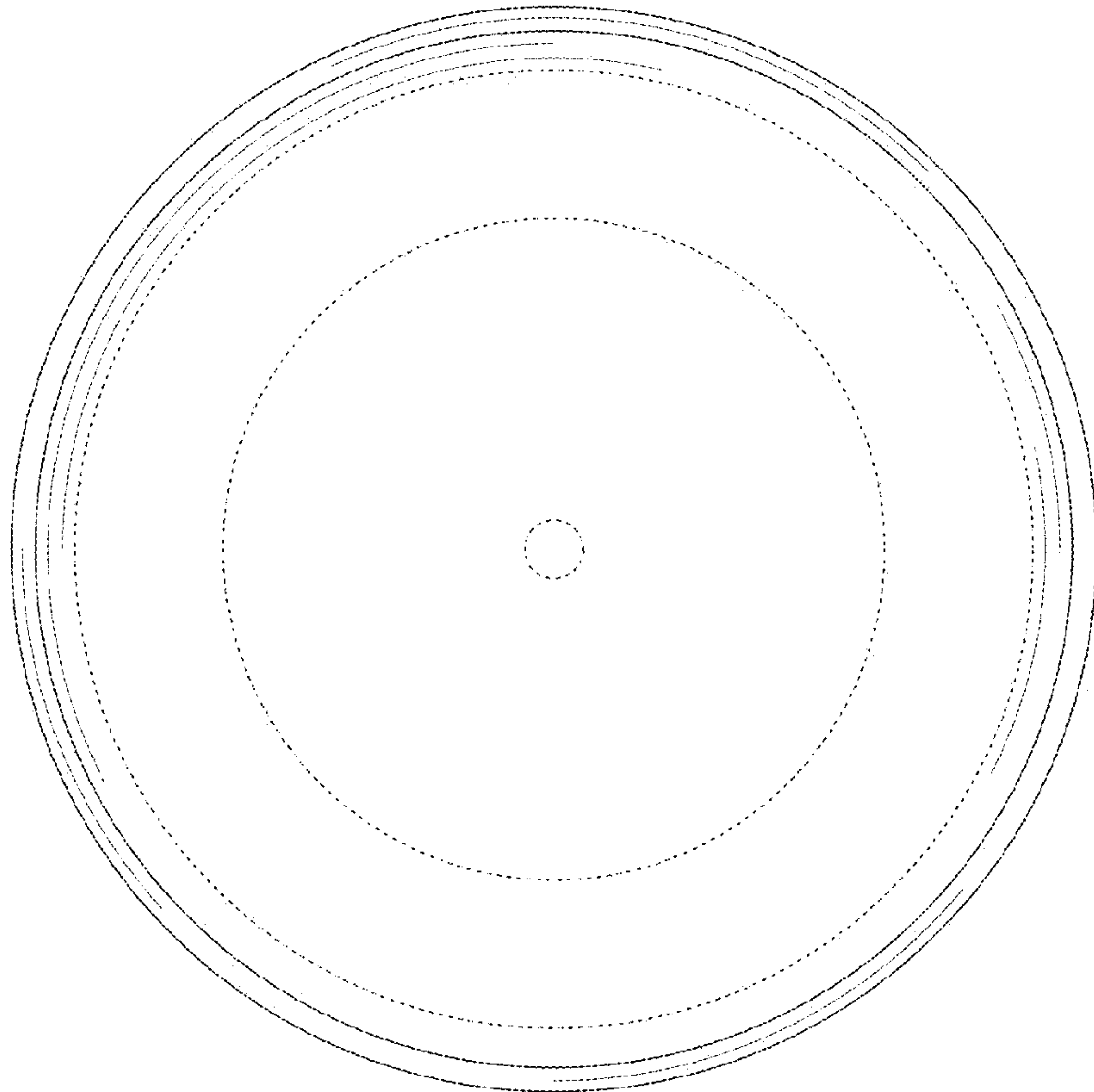


Fig.5

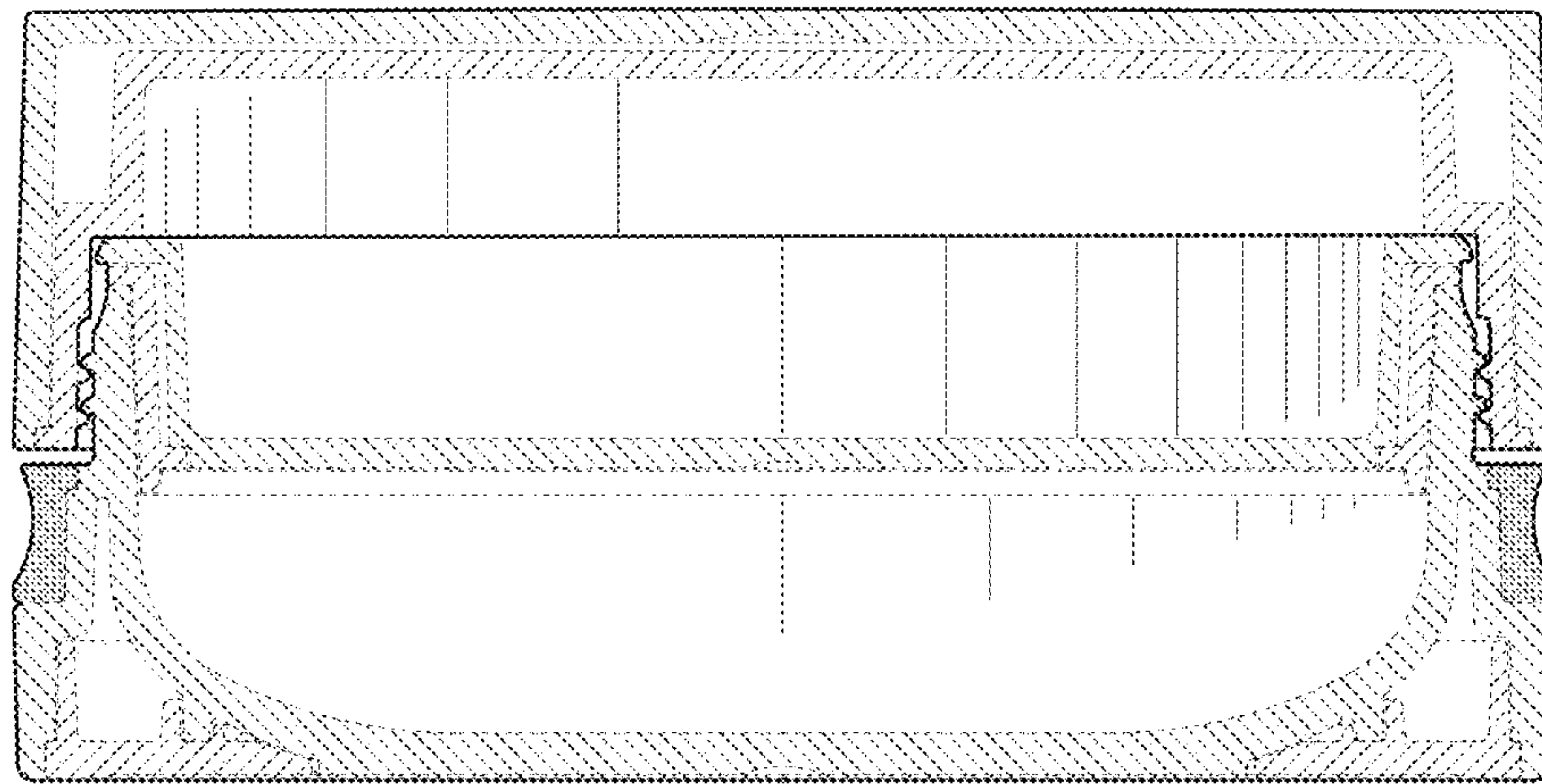


Fig.6

