



US00D943212S

(12) **United States Design Patent**
Chodorow

(10) **Patent No.:** **US D943,212 S**
(45) **Date of Patent:** **** Feb. 8, 2022**

- (54) **DENTAL FLOSSER**
- (71) Applicant: **Sacks Holdings, Inc.**, San Diego, CA
(US)
- (72) Inventor: **Devin S. Chodorow**, San Diego, CA
(US)
- (73) Assignee: **Sacks Holdings, Inc.**, San Diego, CA
(US)
- (**) Term: **15 Years**
- (21) Appl. No.: **29/727,950**
- (22) Filed: **Mar. 13, 2020**
- (51) **LOC (13) Cl.** **28-03**
- (52) **U.S. Cl.**
USPC **D28/66**
- (58) **Field of Classification Search**
USPC D28/65-68; D24/152
CPC A61C 15/00; A61C 15/04; A61C 15/046;
A61C 15/047; A61C 15/048
See application file for complete search history.

- D609,405 S * 2/2010 Jansheski A61C 15/046
D28/66
- D610,748 S * 2/2010 Volpenhein D28/66
- D618,396 S * 6/2010 Volpenhein D28/66
- D624,703 S * 9/2010 Misner D28/68
- D637,762 S * 5/2011 Nanda D28/68
- 8,555,901 B2 * 10/2013 Misner A61C 15/046
132/323
- D726,376 S * 4/2015 Stofko D28/68
- D772,578 S * 11/2016 Isaacs D4/108
- D817,545 S * 5/2018 Castellano D28/7
- D853,650 S * 7/2019 Schiffer D28/68
- D857,995 S * 8/2019 Peliotes D28/68
- D866,076 S * 11/2019 Peliotes D28/68

* cited by examiner

Primary Examiner — Zenia I Bennett

(74) *Attorney, Agent, or Firm* — Kilpatrick Townsend & Stockton LLP

(57) **CLAIM**

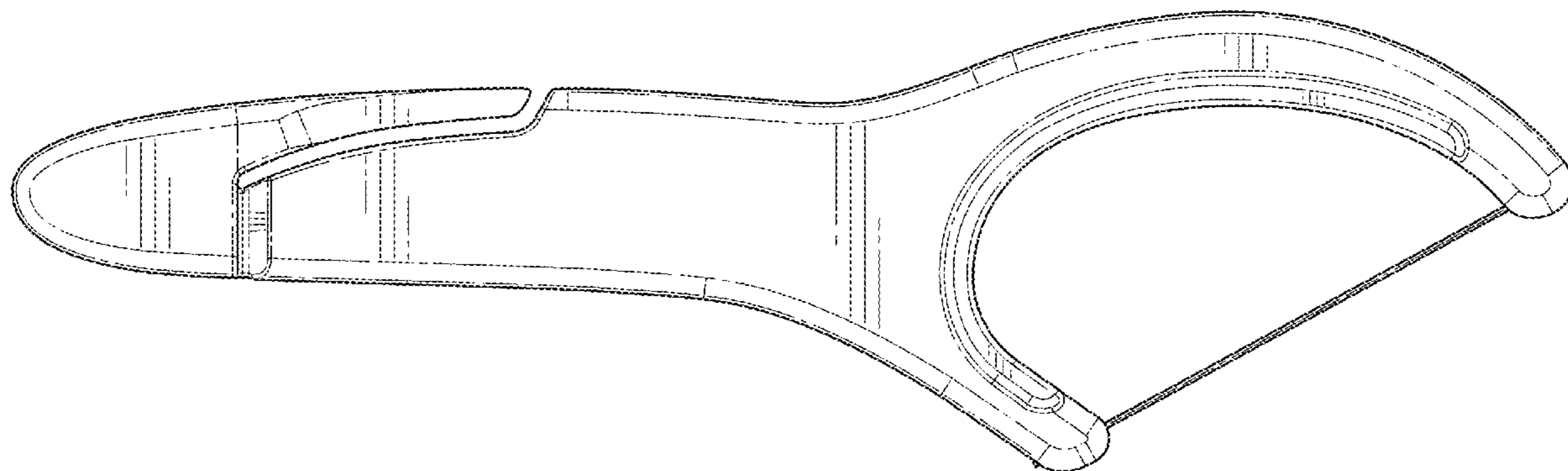
The ornamental design for dental flosser, as shown and described.

DESCRIPTION

FIG. 1 is a perspective view of an embodiment of a dental flosser showing my new design;
 FIG. 2 is a front plan view thereof;
 FIG. 3 is a back plan view thereof;
 FIG. 4 is a left side plan view thereof;
 FIG. 5 is a right side plan view thereof;
 FIG. 6 is a top plan view thereof; and,
 FIG. 7 is a bottom plan view thereof.

1 Claim, 6 Drawing Sheets

- (56) **References Cited**
U.S. PATENT DOCUMENTS
D313,875 S * 1/1991 Chen D28/68
D531,758 S * 11/2006 Jansheski A61C 15/046
D28/68
D606,706 S * 12/2009 Chodorow A61C 15/046
D28/65



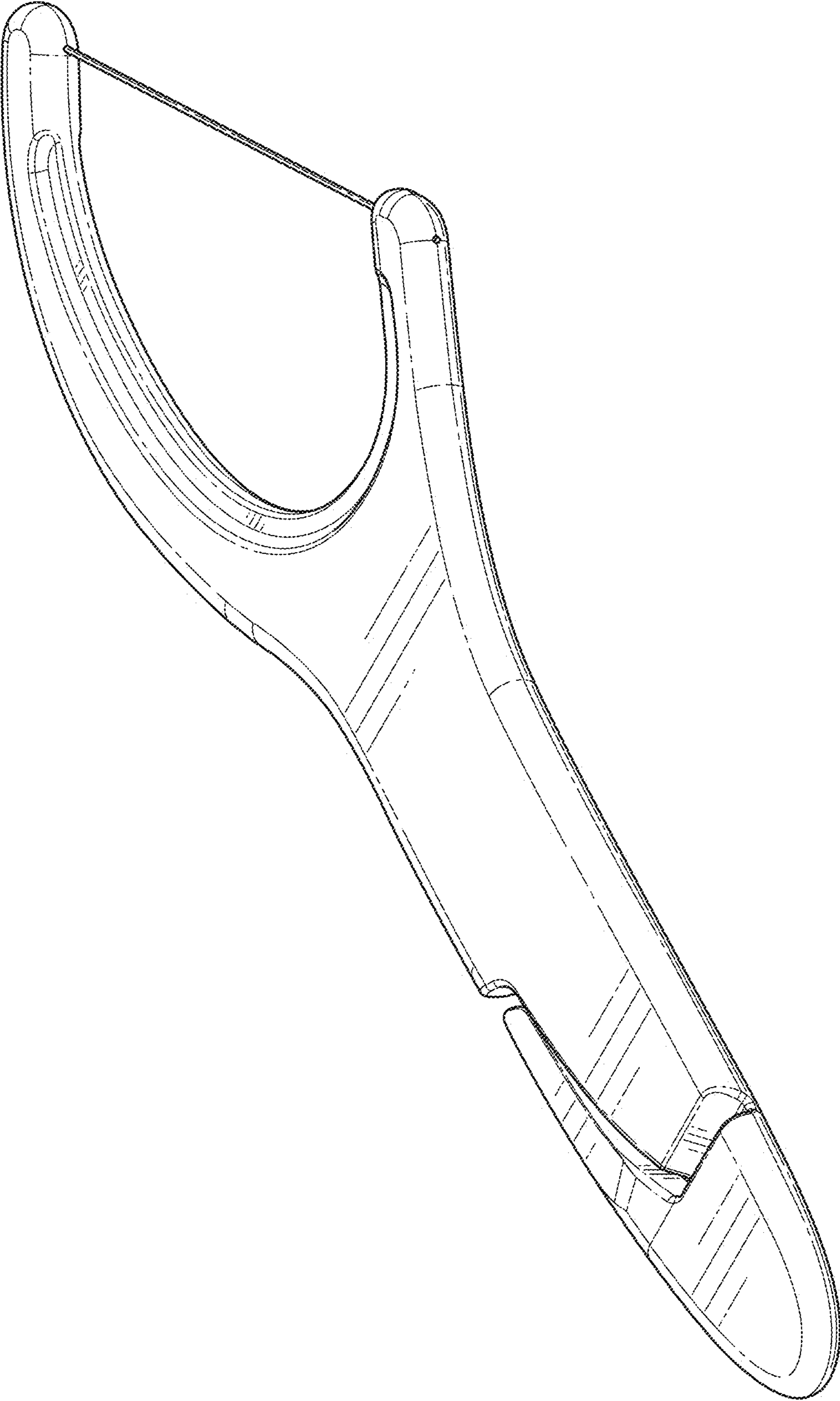


FIG. 1



FIG. 2

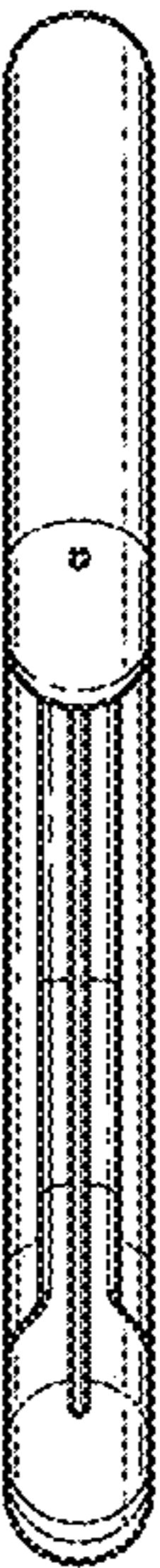


FIG. 3



FIG. 4

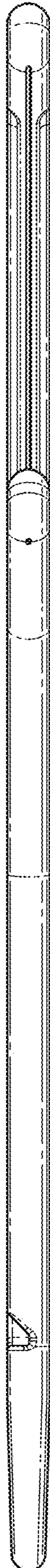


FIG. 5

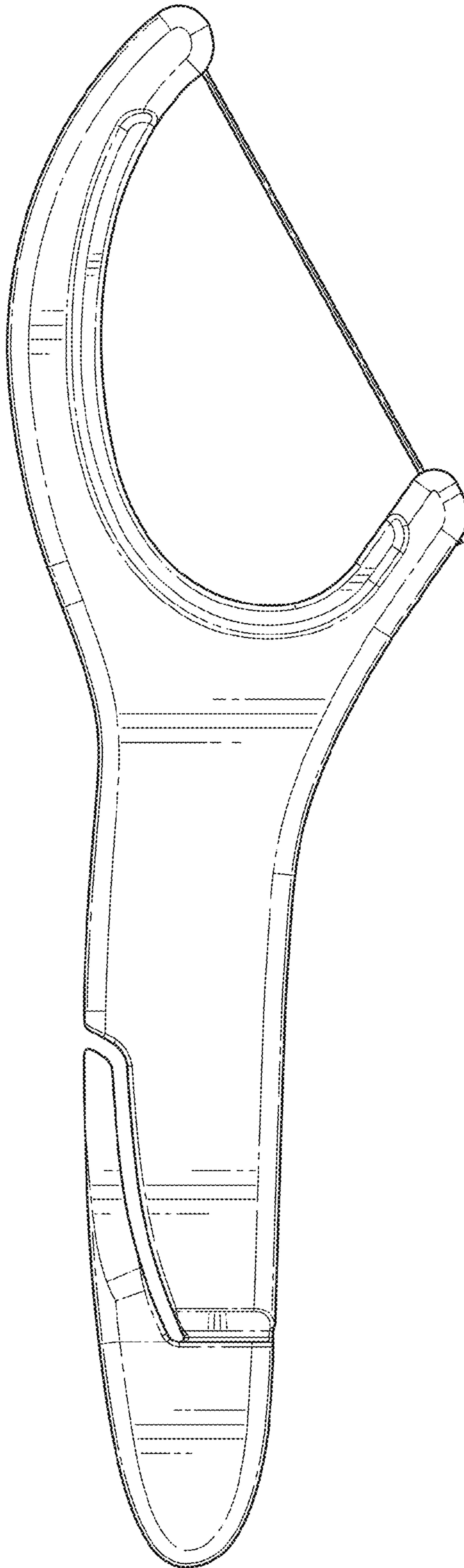


FIG. 6

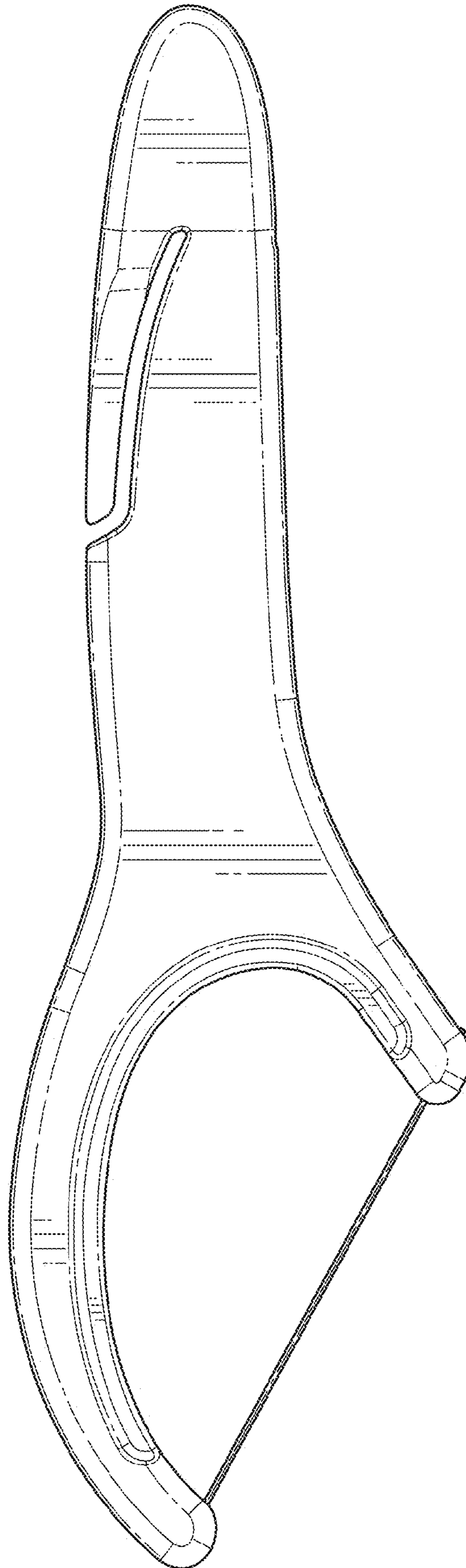


FIG. 7