



US00D943211S

(12) **United States Design Patent** (10) **Patent No.:** **US D943,211 S**
Owen (45) **Date of Patent:** **** Feb. 8, 2022**

(54) **FINGERNAIL CLEANER**
(71) Applicant: **Mary Owen**, Denver, CO (US)
(72) Inventor: **Mary Owen**, Denver, CO (US)
(**) Term: **15 Years**

D842,614 S 3/2019 Zavalloni
10,278,486 B2 5/2019 Forrest
10,722,018 B2 * 7/2020 Kelly A46B 9/025
D913,703 S * 3/2021 Sze D4/134
2009/0090377 A1 * 4/2009 Tran A46B 5/0095
132/75.3
2009/0183327 A1 7/2009 Karie
2011/0038660 A1 2/2011 Rudolph

(21) Appl. No.: **29/737,255**
(22) Filed: **Jun. 8, 2020**
(51) **LOC (13) Cl.** **28-03**
(52) **U.S. Cl.**
USPC **D28/58**
(58) **Field of Classification Search**
USPC D28/58, 56, 57, 59, 61, 62, 99; D8/104,
D8/105; D4/104-112, 134, 138
CPC A45D 2031/005; A46B 2200/30
See application file for complete search history.

FOREIGN PATENT DOCUMENTS

WO WO2018156583 8/2018

* cited by examiner

Primary Examiner — Rebecca Tsehaye

(57) **CLAIM**

The ornamental design for a fingernail cleaner, as shown and described.

DESCRIPTION

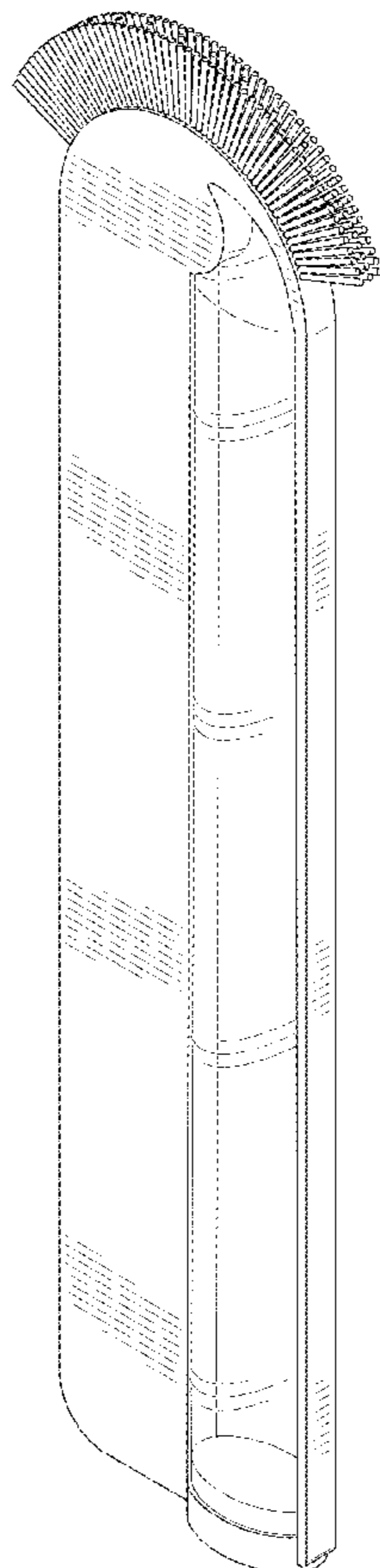
FIG. 1 is a front view of a fingernail cleaner showing my new design;
FIG. 2 is a rear view of the fingernail cleaner;
FIG. 3 is a right side view of the fingernail cleaner;
FIG. 4 is a left side view of the fingernail cleaner;
FIG. 5 is a top view of the fingernail cleaner;
FIG. 6 is a bottom view of the fingernail cleaner; and,
FIG. 7 is a top front side perspective view of the fingernail cleaner.

(56) **References Cited**

U.S. PATENT DOCUMENTS

2,439,922 A 4/1948 Chappell
5,640,979 A 6/1997 Trenary
D424,307 S 5/2000 Spriggs
6,536,065 B2 * 3/2003 Forrest A45D 29/17
132/73
8,572,794 B2 11/2013 Pate
9,210,997 B2 * 12/2015 Repchuk A46B 5/0095
D752,289 S * 3/2016 Tegtmeyer D28/56

1 Claim, 3 Drawing Sheets



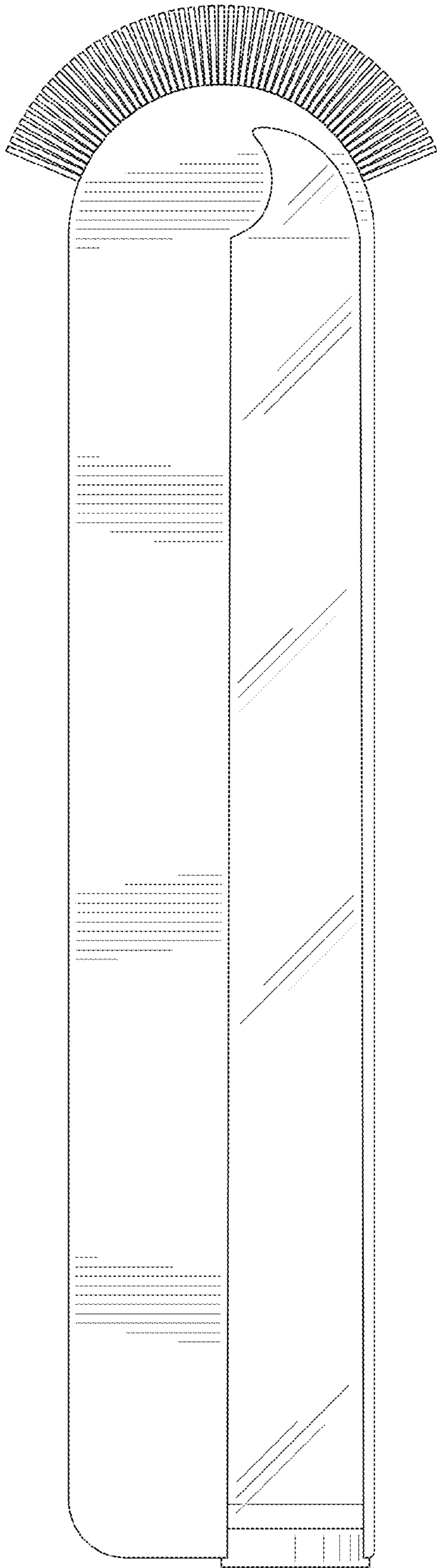


FIG. 1

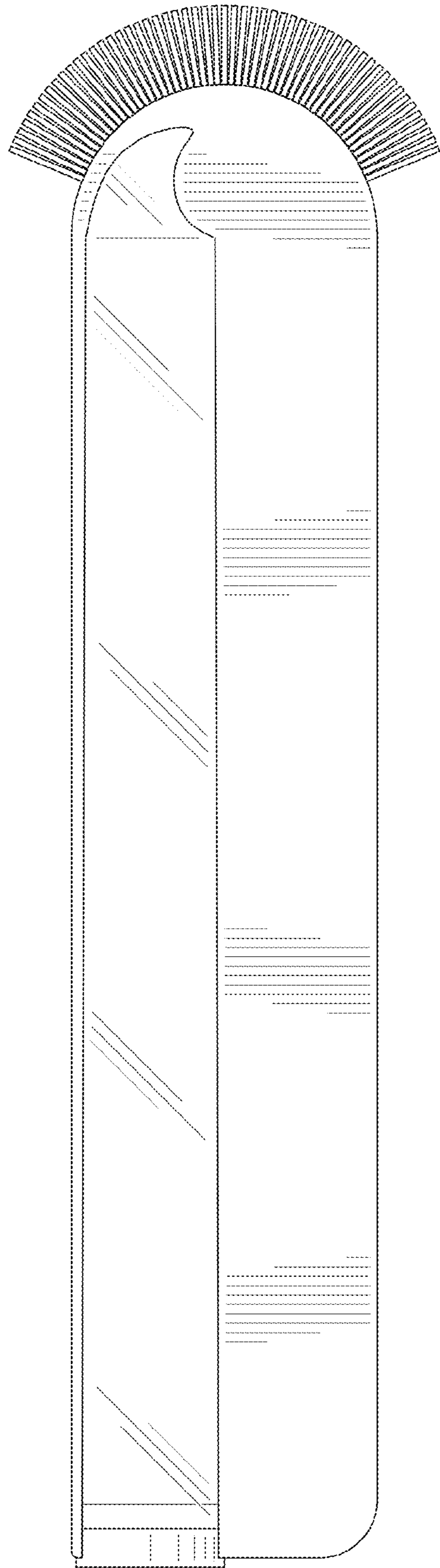


FIG. 2

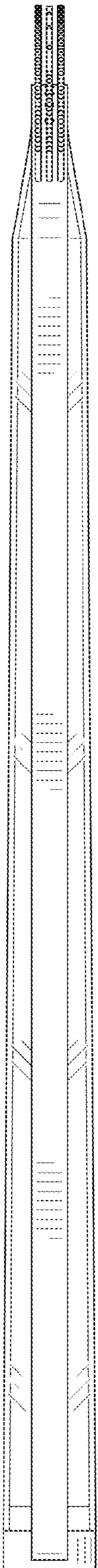


FIG. 3

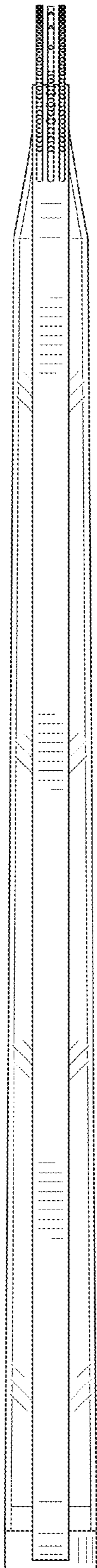


FIG. 4

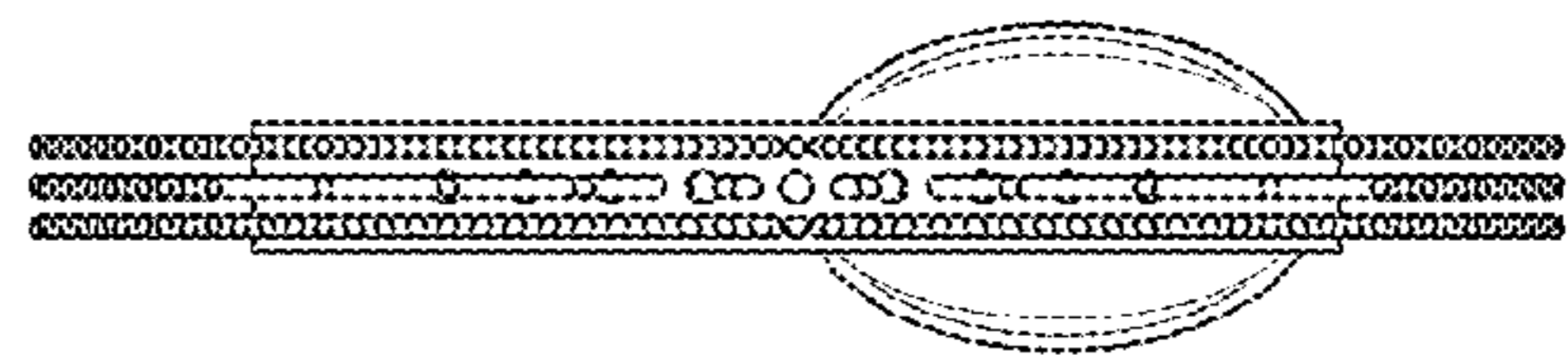


FIG. 5

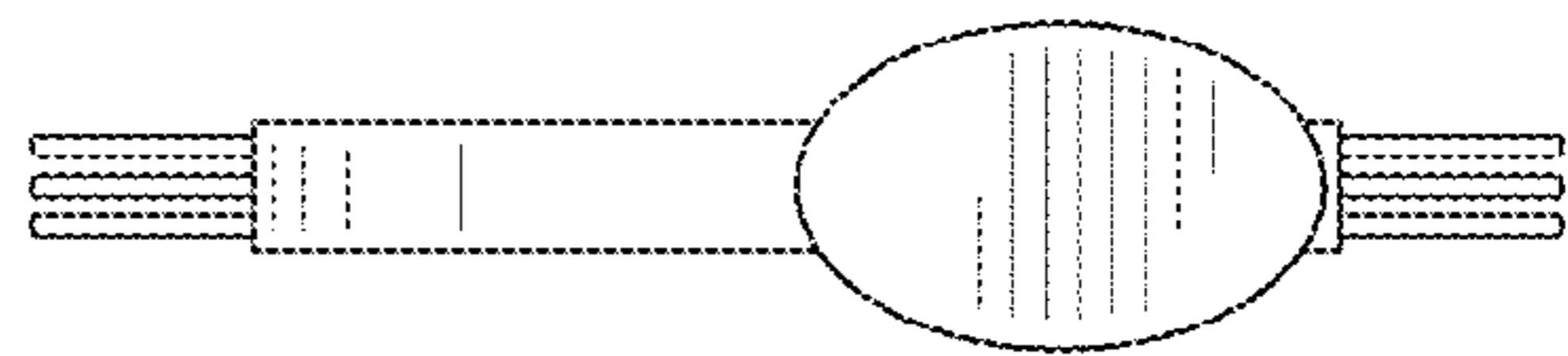


FIG. 6

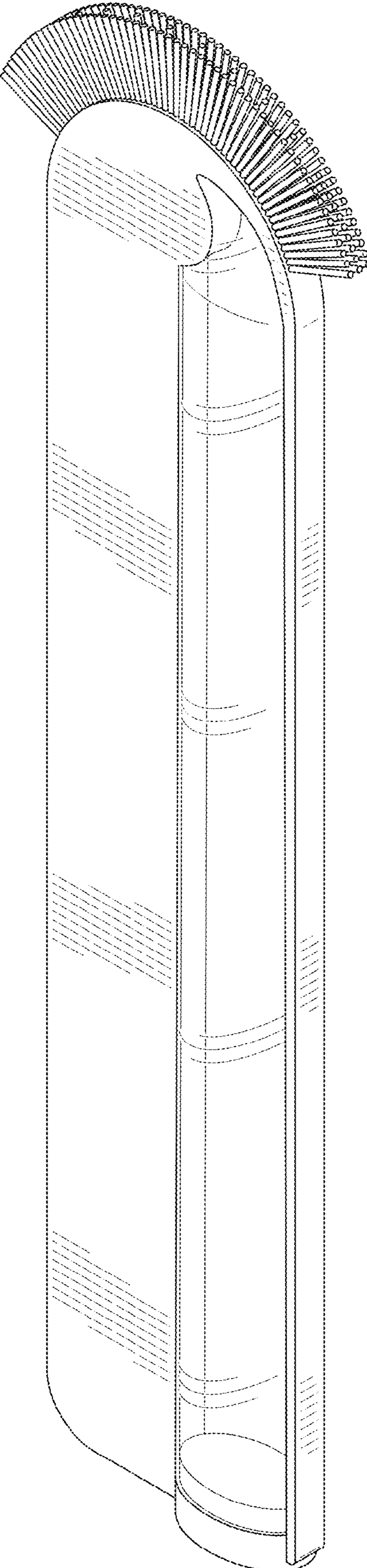


FIG. 7