



US00D943210S

(12) **United States Design Patent**  
**Vish**

(10) **Patent No.:** **US D943,210 S**

(45) **Date of Patent:** **\*\* Feb. 8, 2022**

(54) **WALL DRYER**

D830,636 S \* 10/2018 Loong ..... D28/54.1  
D853,030 S \* 7/2019 Fujigaya ..... D28/54.1  
D871,672 S \* 12/2019 Hongfei ..... D28/54.1

(71) Applicant: **Sloan Valve Company**, Franklin Park,  
IL (US)

(72) Inventor: **Ronald J. Vish**, West Roxbury, MA  
(US)

(73) Assignee: **Sloan Valve Company**, Franklin Park,  
IL (US)

(\*\*) Term: **15 Years**

(21) Appl. No.: **29/691,857**

(22) Filed: **May 20, 2019**

(51) **LOC (13) Cl.** ..... **28-03**

(52) **U.S. Cl.**  
USPC ..... **D28/54.1**

(58) **Field of Classification Search**  
USPC ..... D28/12, 54.1, 58; D23/357, 361, 385  
CPC ..... F26B 21/004; A45D 20/00; A47K 10/48;  
B05B 1/04  
See application file for complete search history.

(56) **References Cited**

**U.S. PATENT DOCUMENTS**

D196,422 S \* 10/1963 Levine ..... D28/54.1  
D676,604 S \* 2/2013 Liu ..... D28/54.1  
D758,019 S \* 5/2016 Takiguchi ..... D28/54.1  
D776,352 S \* 1/2017 Gagnon ..... D28/54.1

**OTHER PUBLICATIONS**

Sloan Optima Air Sensor-Operated Wall-Surface—ADA Hand Dryer,  
URL: <<https://www.sloan.com/commercial-bathroom-products/hand-dryers/sloan-optima-air/ehd-701>>, retrieved Oct. 1, 2021, product believed to be available prior to May 20, 2018.

\* cited by examiner

*Primary Examiner* — Zenia I Bennett

(74) *Attorney, Agent, or Firm* — Banner & Witcoff, Ltd.

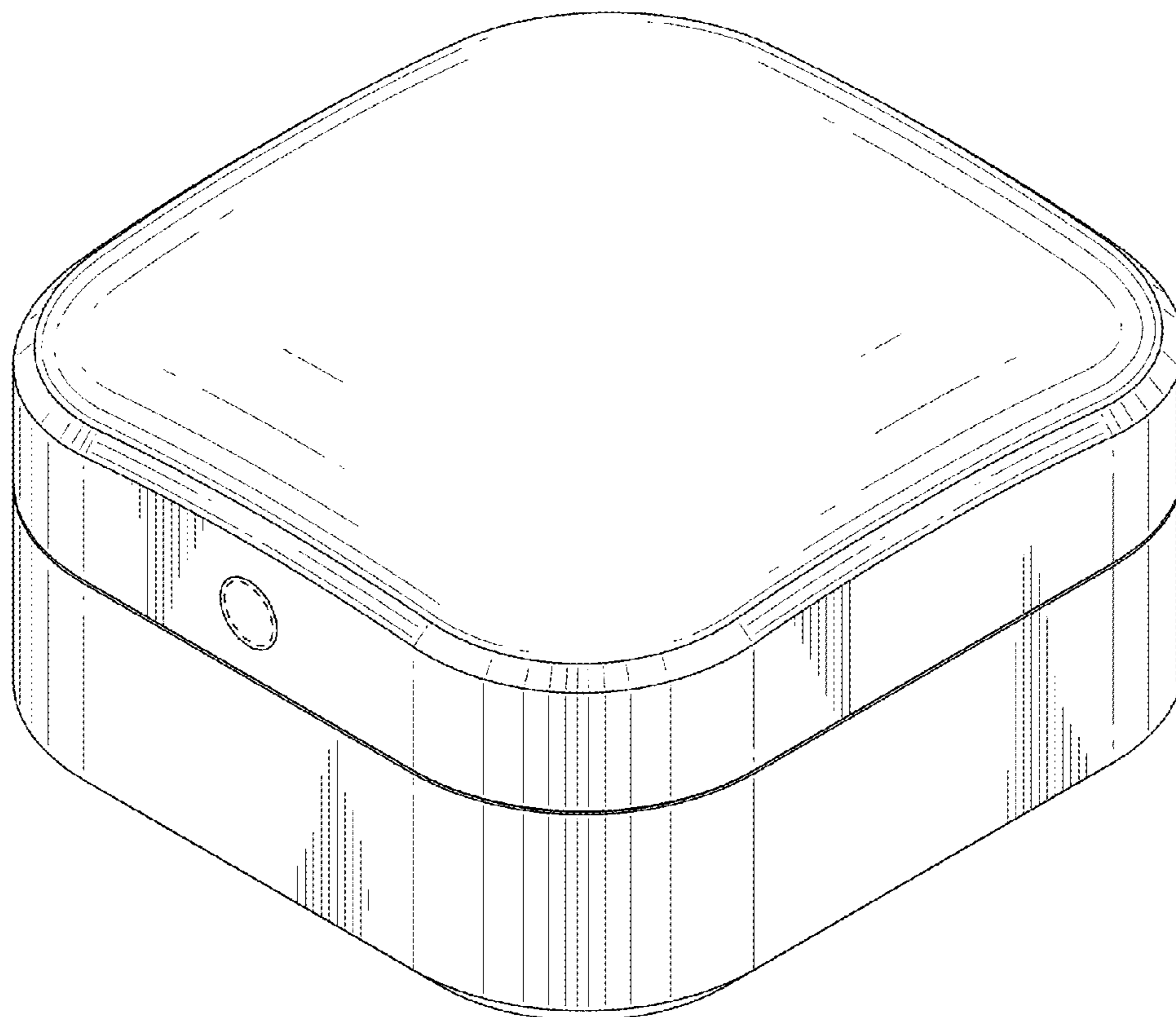
(57) **CLAIM**

The ornamental design for a wall dryer, as shown and described.

**DESCRIPTION**

FIG. 1 is a bottom, front, left perspective view of a wall dryer showing my new design;  
FIG. 2 is a bottom view thereof;  
FIG. 3 is a top view thereof;  
FIG. 4 is a right side view thereof;  
FIG. 5 is a left side view thereof; and,  
FIG. 6 is a front view thereof.  
The broken lines immediately adjacent to the shaded area define the bounds of the claimed design and form no part thereof.

**1 Claim, 6 Drawing Sheets**



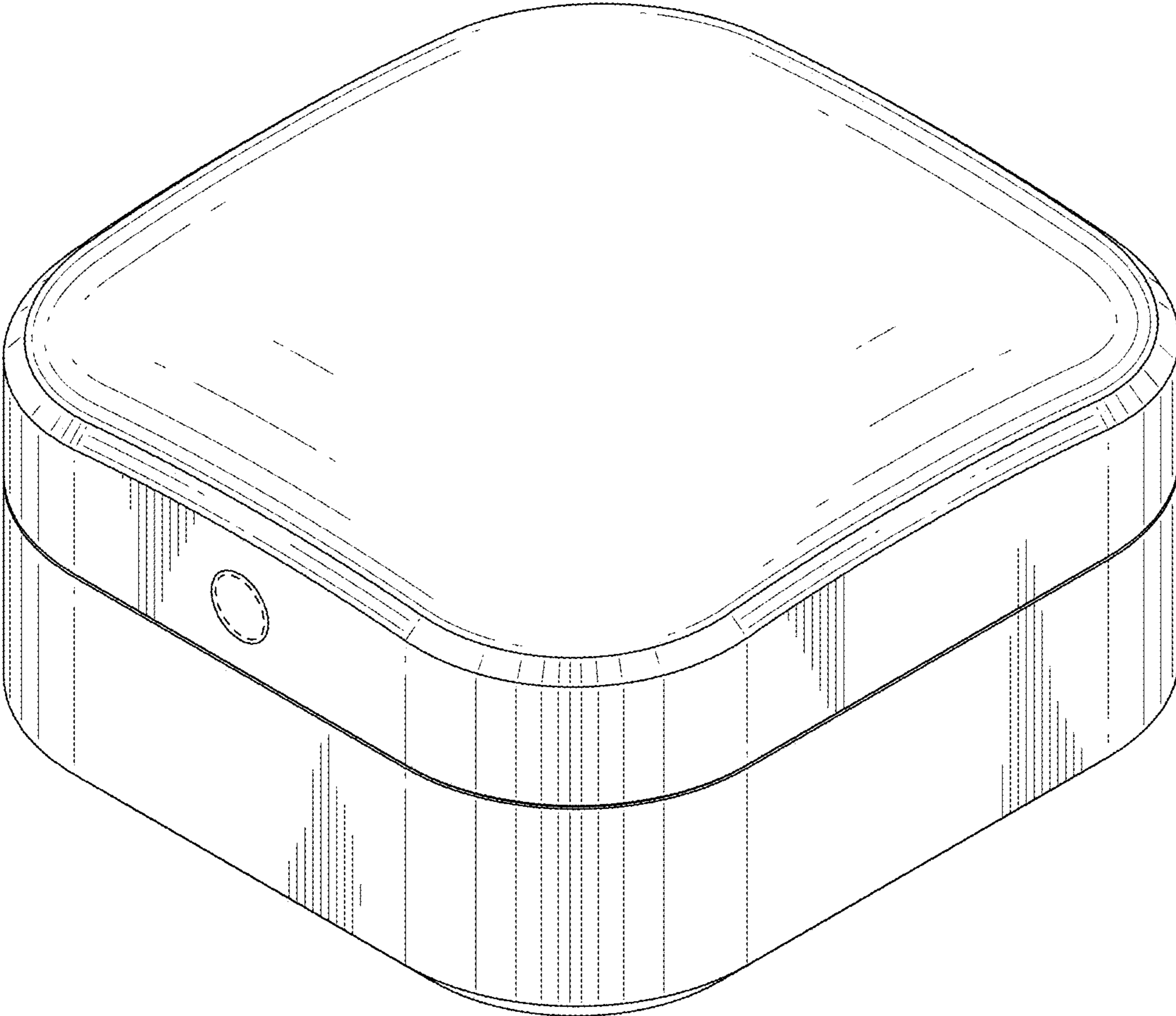
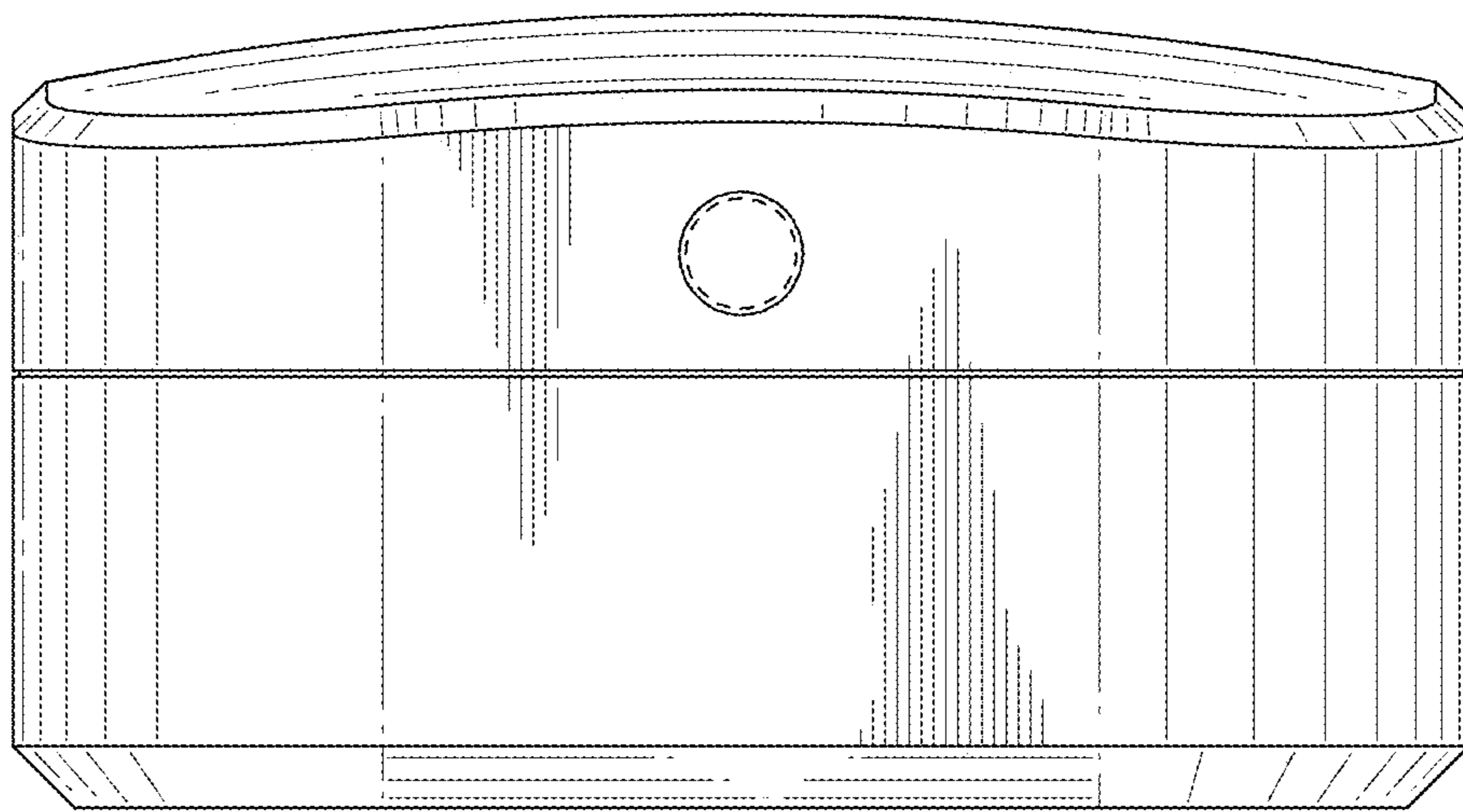
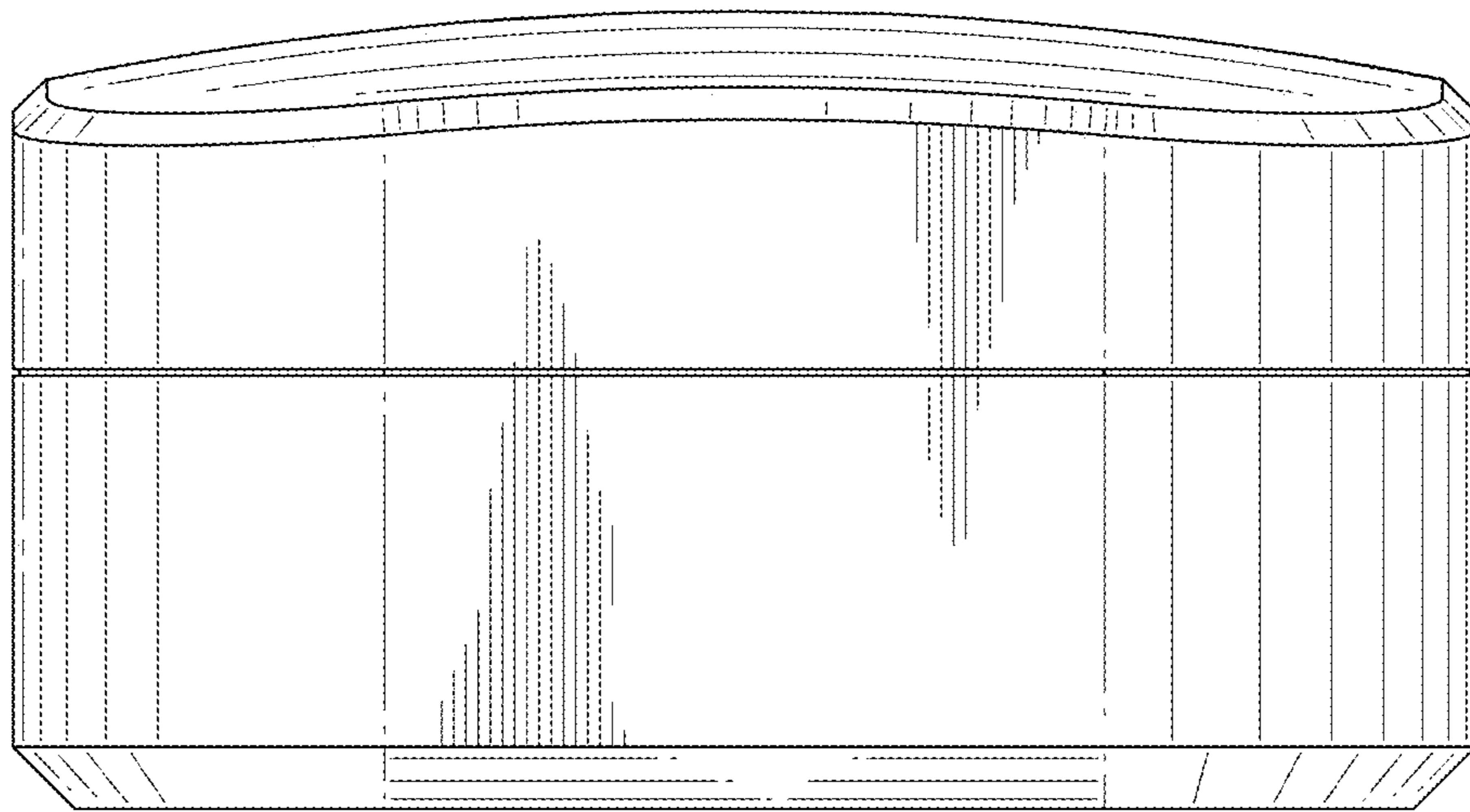


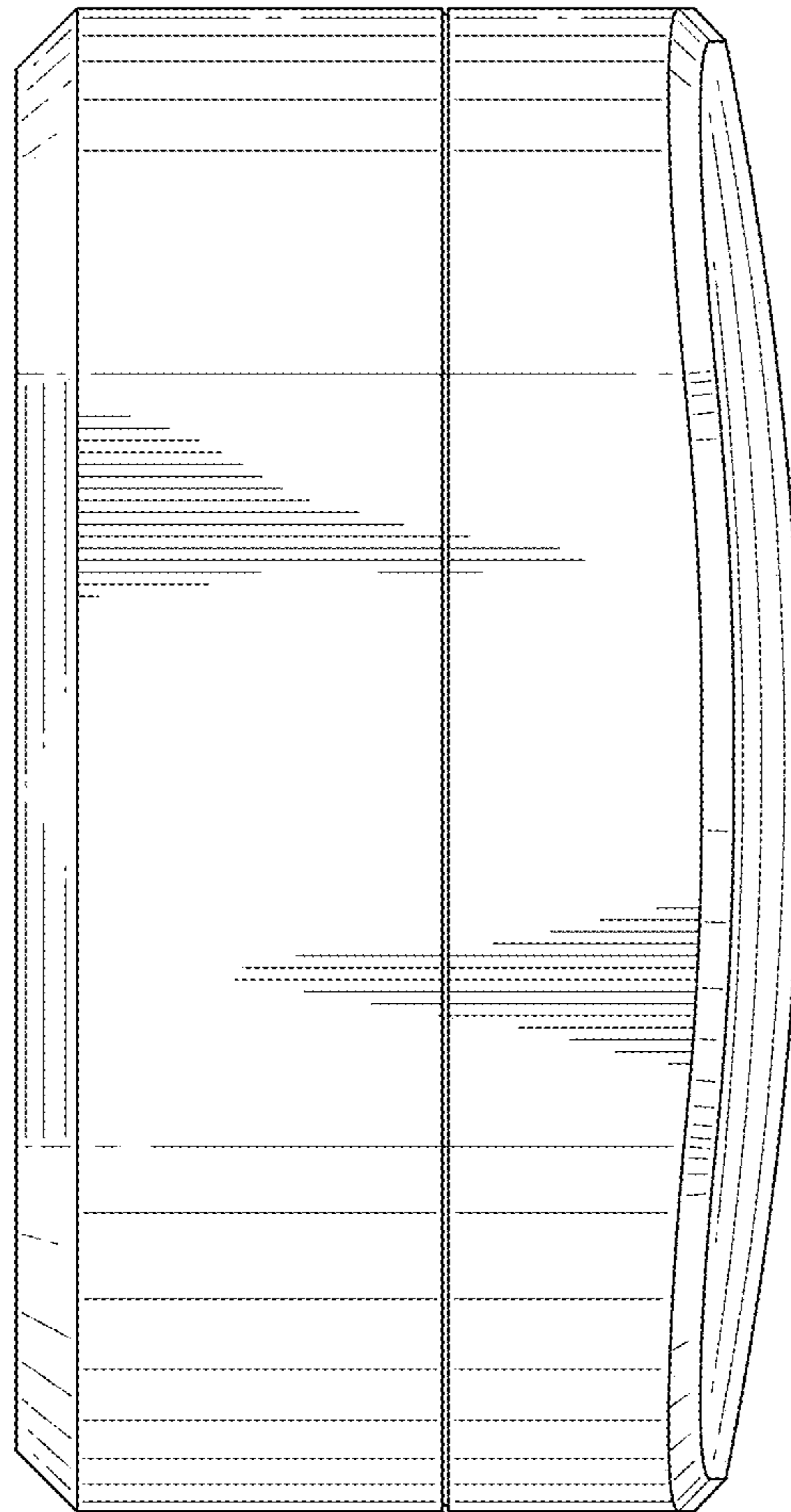
FIG. 1



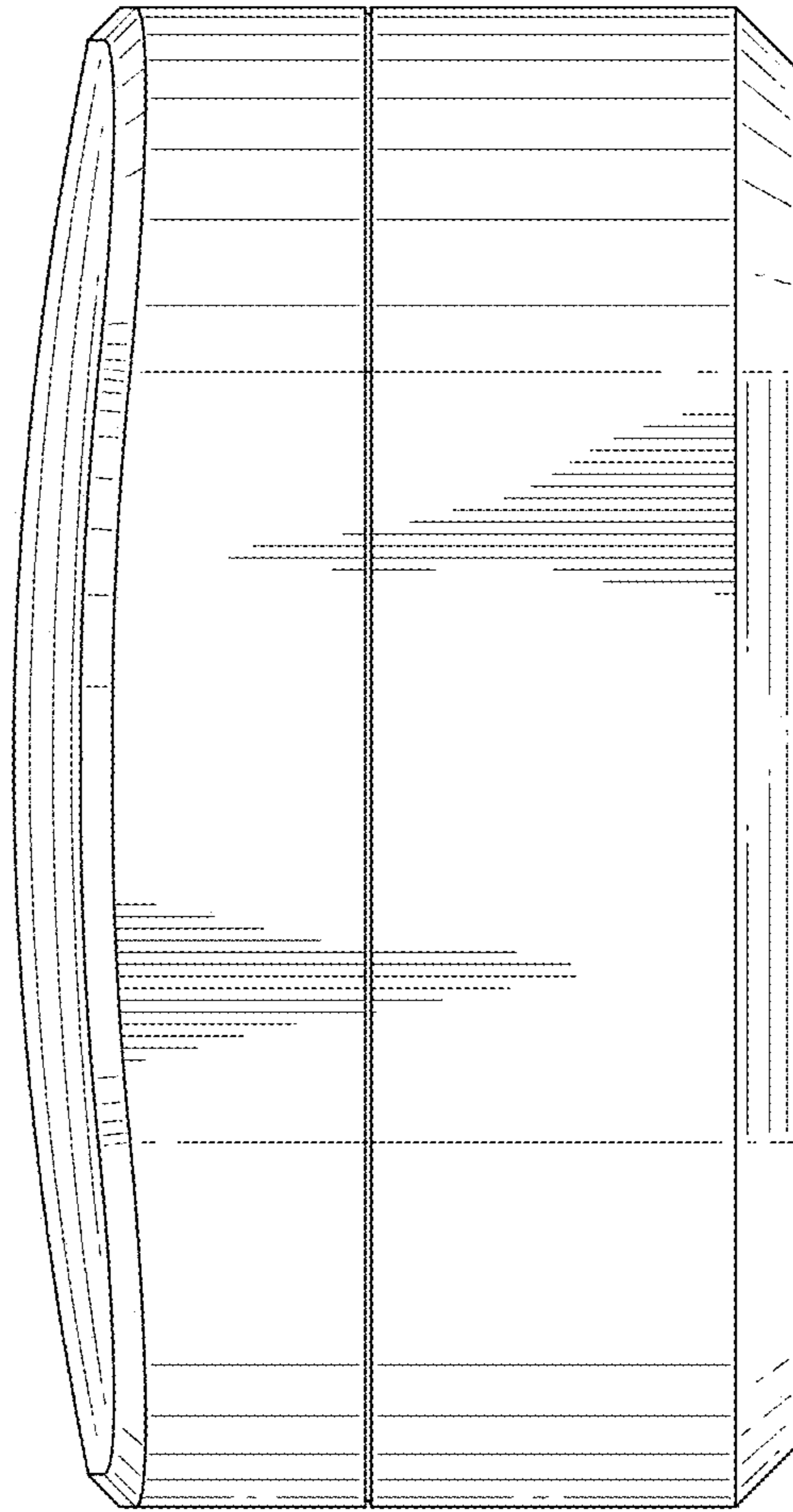
**FIG. 2**



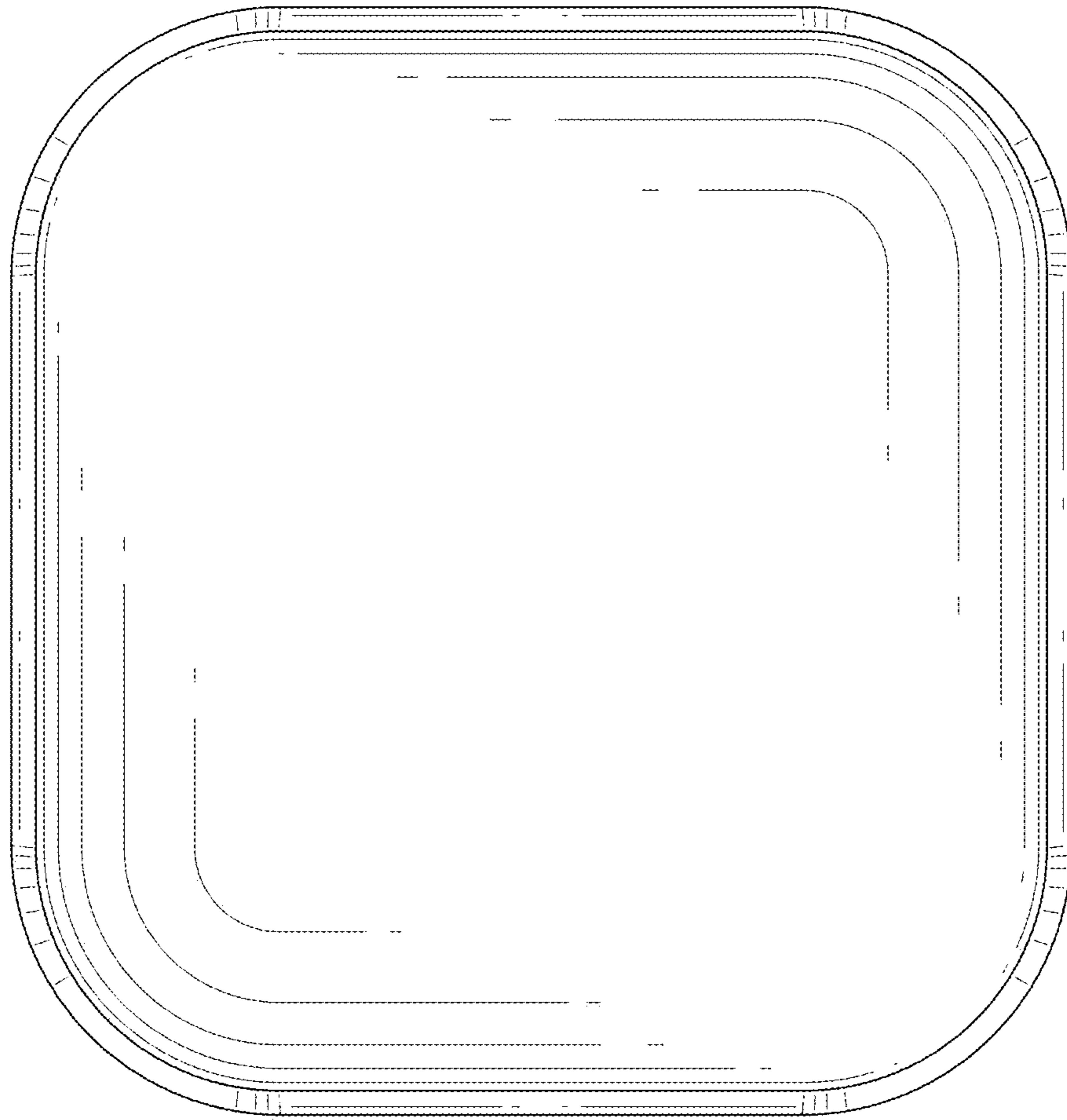
**FIG. 3**



**FIG. 4**



**FIG. 5**



**FIG. 6**