



US00D943207S

(12) **United States Design Patent** (10) **Patent No.:** **US D943,207 S**
Liu (45) **Date of Patent:** **** Feb. 8, 2022**

(54) **HAIR ROLLERS**
(71) Applicant: **Xiuyun Liu**, Anhui (CN)
(72) Inventor: **Xiuyun Liu**, Anhui (CN)
(**) Term: **15 Years**
(21) Appl. No.: **29/738,198**
(22) Filed: **Jun. 16, 2020**
(51) **LOC (13) Cl.** **28-03**
(52) **U.S. Cl.**
USPC **D28/37**
(58) **Field of Classification Search**
USPC D28/37, 35, 33, 25, 26; D7/509, 523,
D7/532; D9/500, 501, 503, 549, 414,
D9/428, 730, 737, 739; D11/143–156,
D11/164
CPC ... A45D 2/10; A45D 2/12; A45D 2/14; A45D
2/18; A45D 2/08; A45D 2/20; A45D
2/122; A45D 2/125; A45D 2/2464; A45D
2/2485; A45D 2/001; A45D 2/02; A45D
2/06; A45D 2/00; A45D 2/145; A45D
2/146; A45D 2/148
See application file for complete search history.

(56) **References Cited**
U.S. PATENT DOCUMENTS
D254,691 S * 4/1980 Dunivant D28/37
D382,511 S * 8/1997 Azarian D11/143
D383,944 S * 9/1997 Lillelund D7/524
D482,296 S * 11/2003 Chaine D11/143
D561,021 S * 2/2008 DuVal D9/500

D604,984 S * 12/2009 Kalamaras A47J 43/27
D7/300.1
D613,640 S * 4/2010 Kee D11/152
D616,705 S * 6/2010 DuBois D7/510
D657,285 S * 4/2012 Tam D11/164
8,671,957 B1 * 3/2014 James A45D 2/10
132/247
D731,245 S * 6/2015 Beller D7/523
D742,067 S * 10/2015 James D28/37
D778,204 S * 2/2017 Thuma D11/153
D785,244 S * 4/2017 Carlucci D28/37
D785,245 S * 4/2017 Carlucci D28/37
D830,176 S * 10/2018 Yasuhiro D9/501

* cited by examiner

Primary Examiner — Rebecca Tsehaye

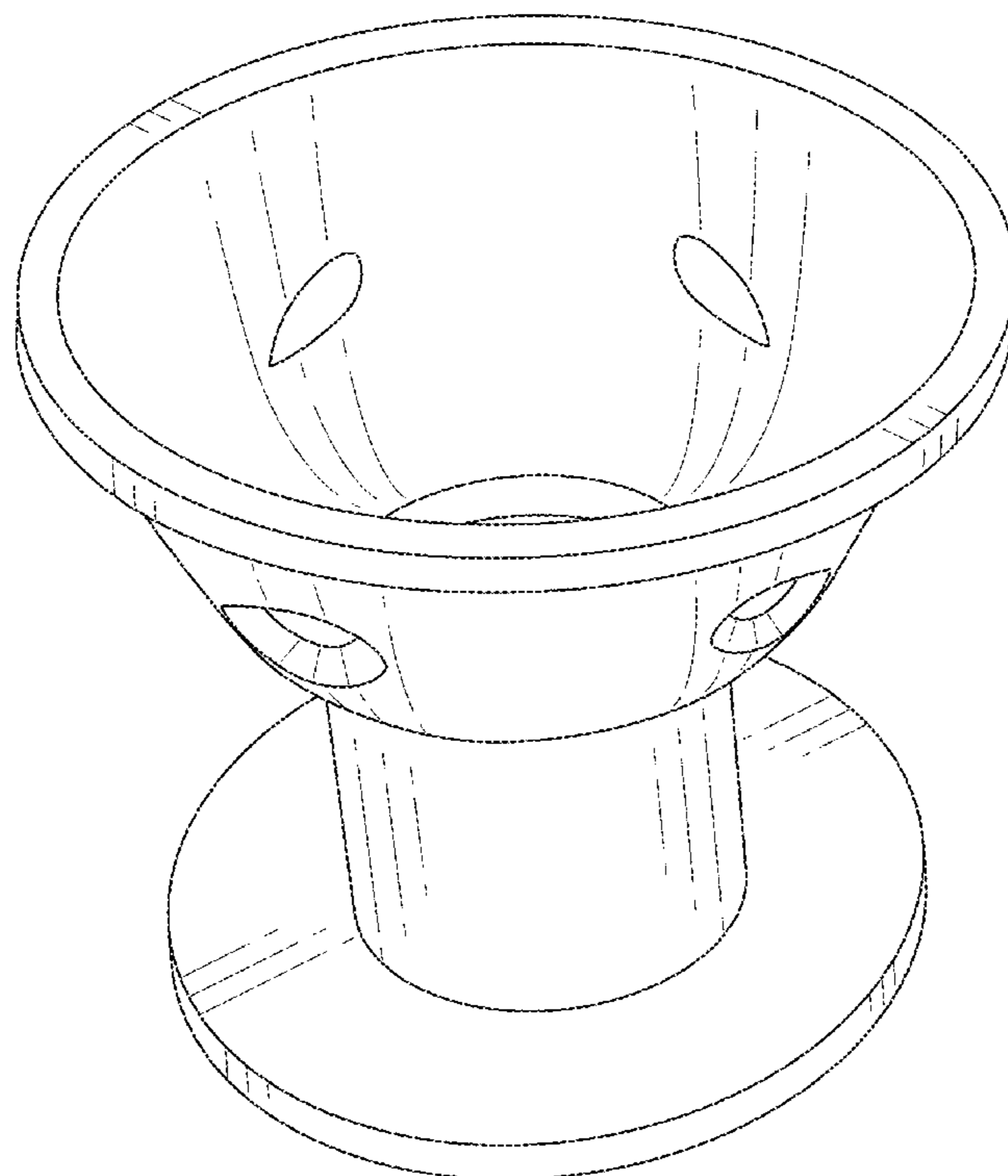
(57) **CLAIM**

The ornamental design for a hair roller, as shown and described.

DESCRIPTION

FIG. 1 is a top perspective view of a hair roller in unfolded configuration showing my new design;
FIG. 2 is a front elevational view thereof;
FIG. 3 is a rear elevational view thereof;
FIG. 4 is a left side elevational view thereof;
FIG. 5 is a right side elevational view thereof;
FIG. 6 is a top plan view thereof;
FIG. 7 is a bottom plan view thereof;
FIG. 8 is a bottom perspective view in folded configuration thereof; and,
FIG. 9 is a top perspective view in folded configuration, thereof.

1 Claim, 9 Drawing Sheets



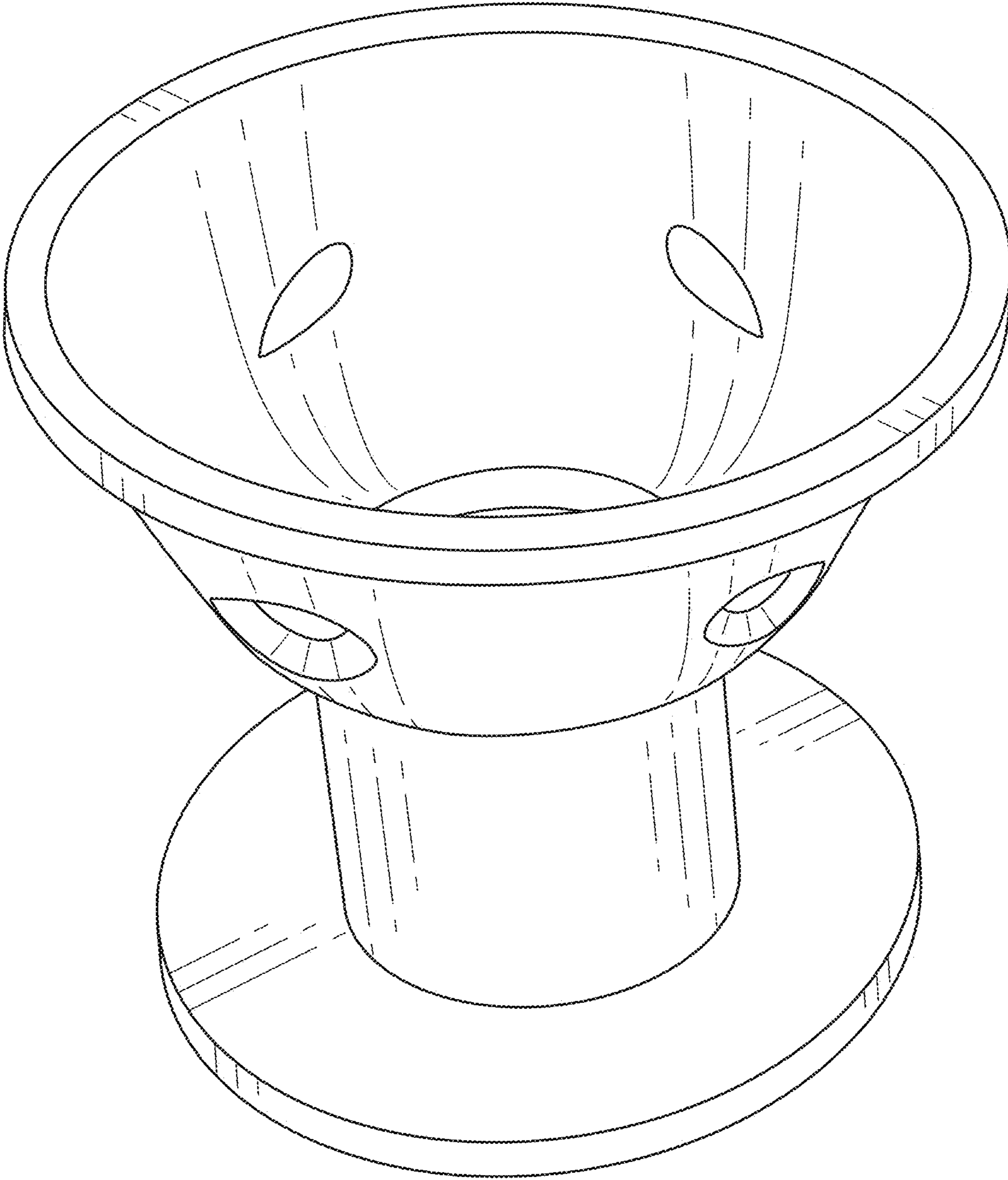


FIG.1

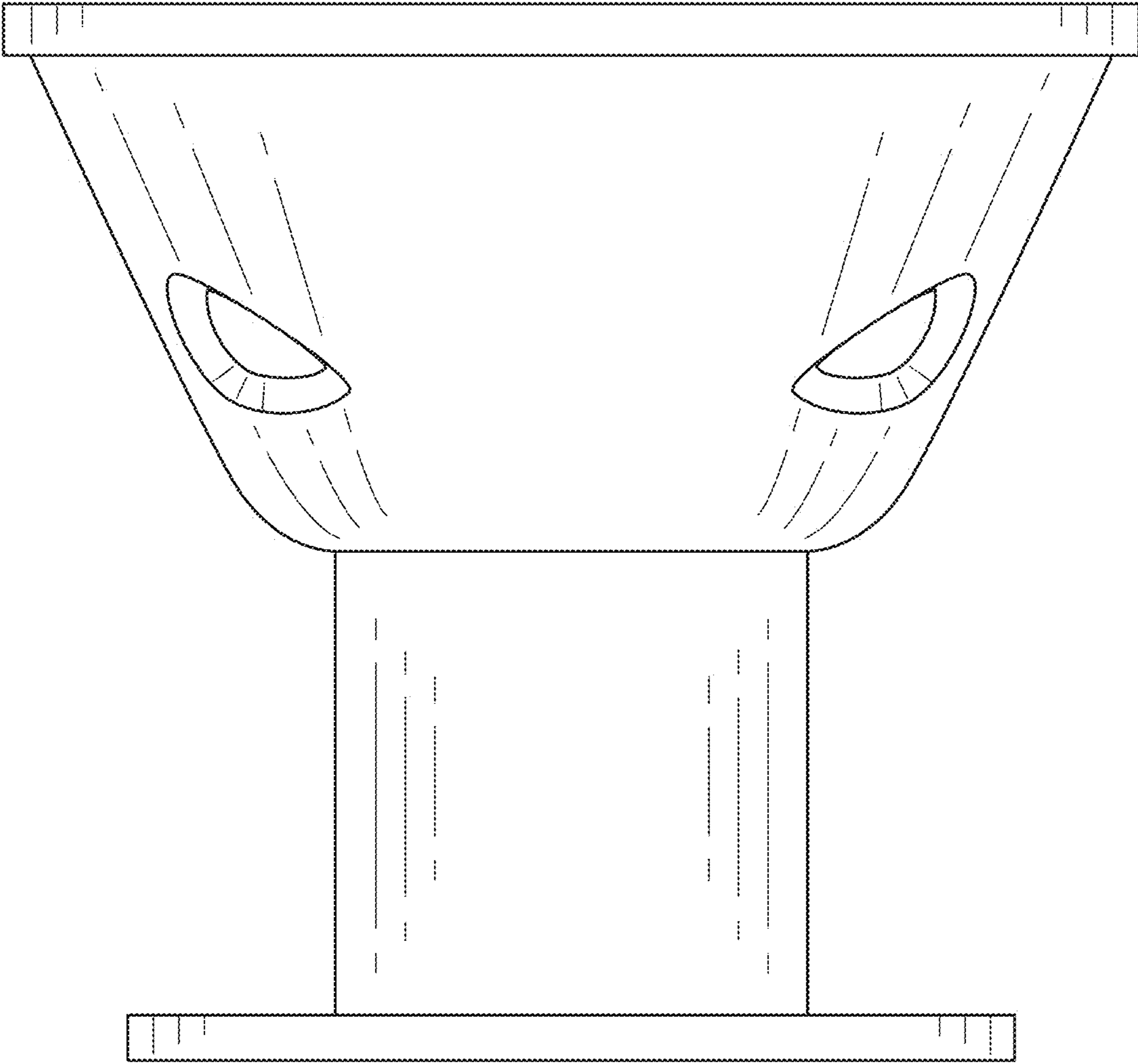


FIG.2

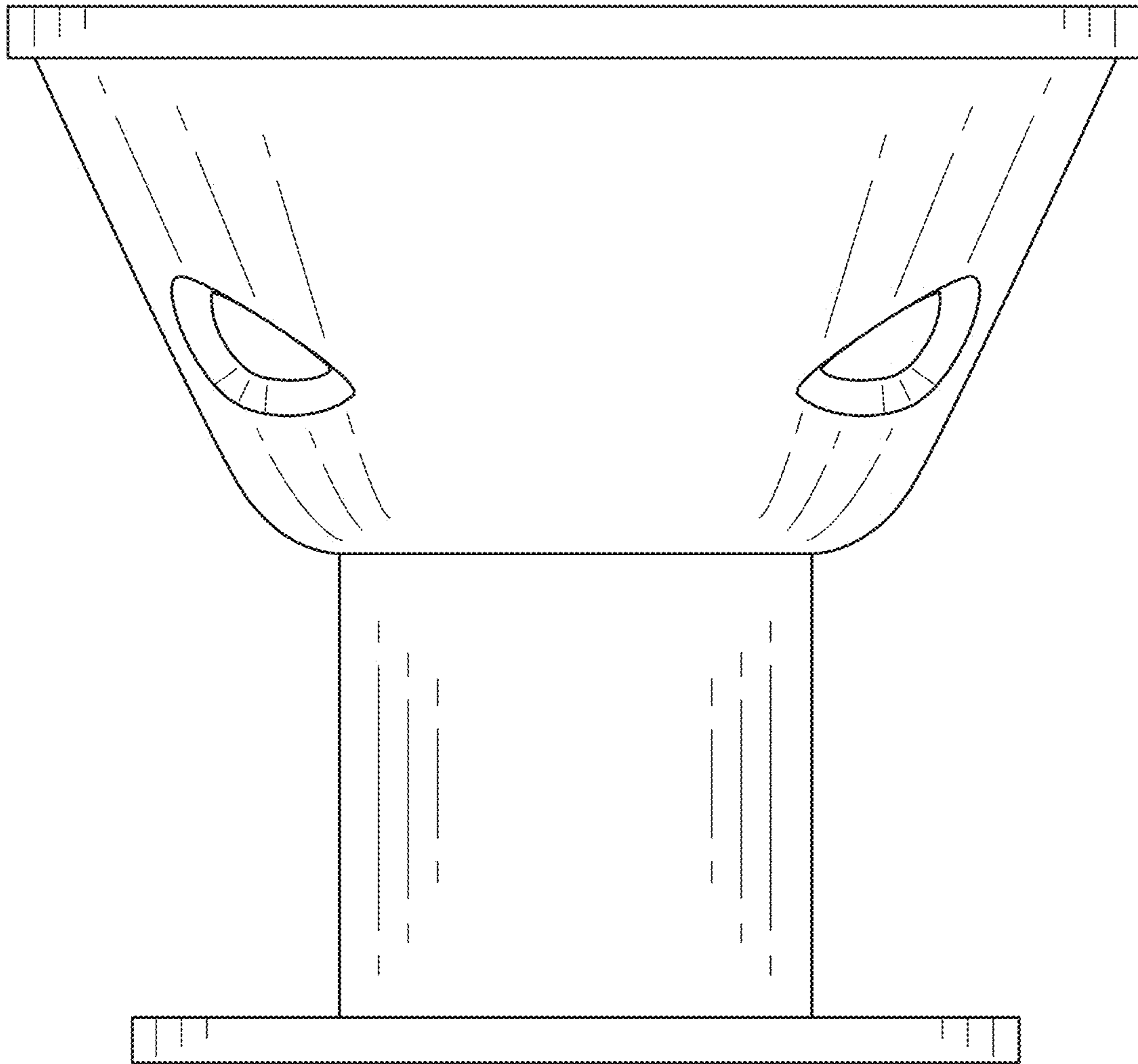


FIG.3

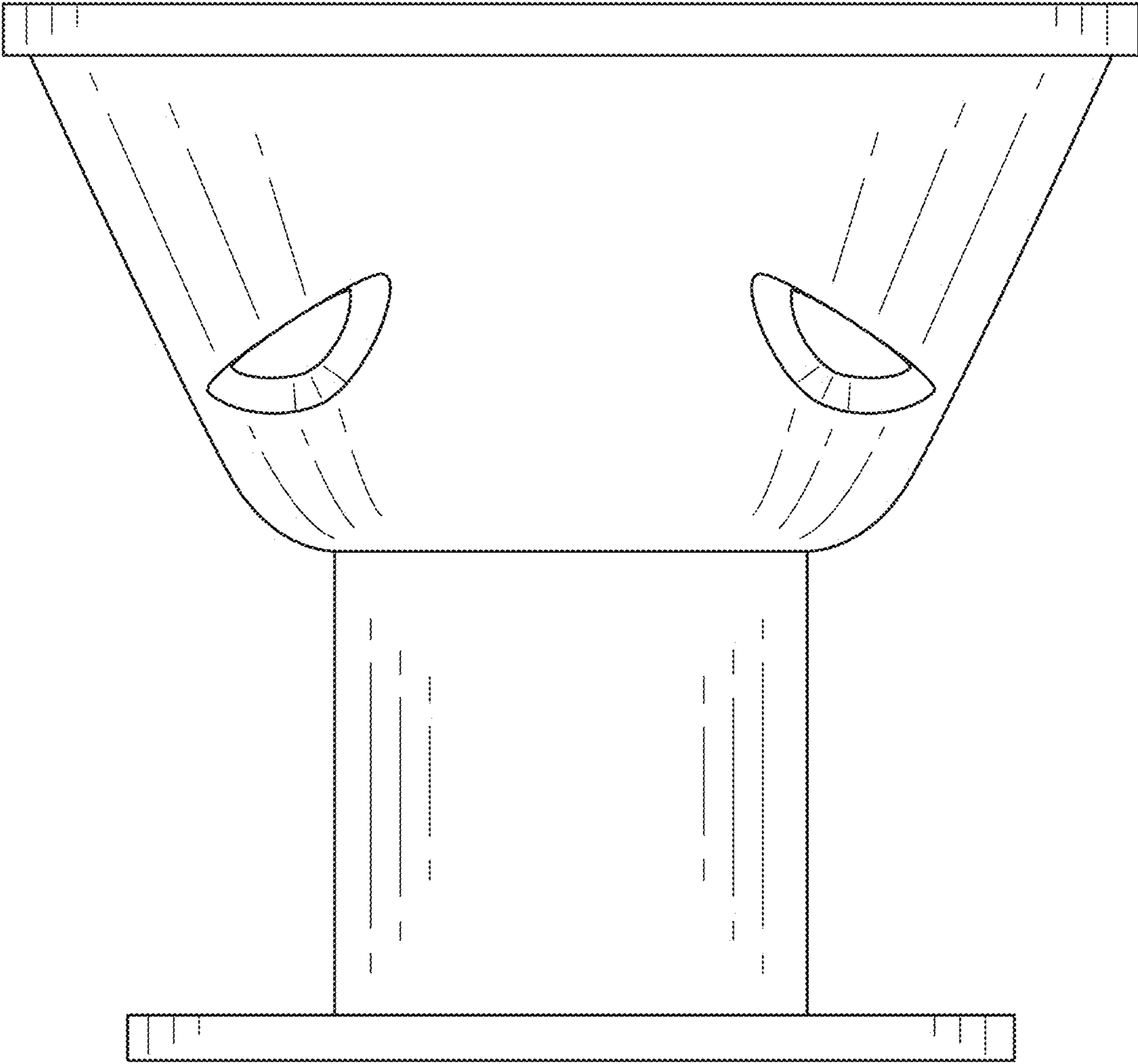


FIG.4

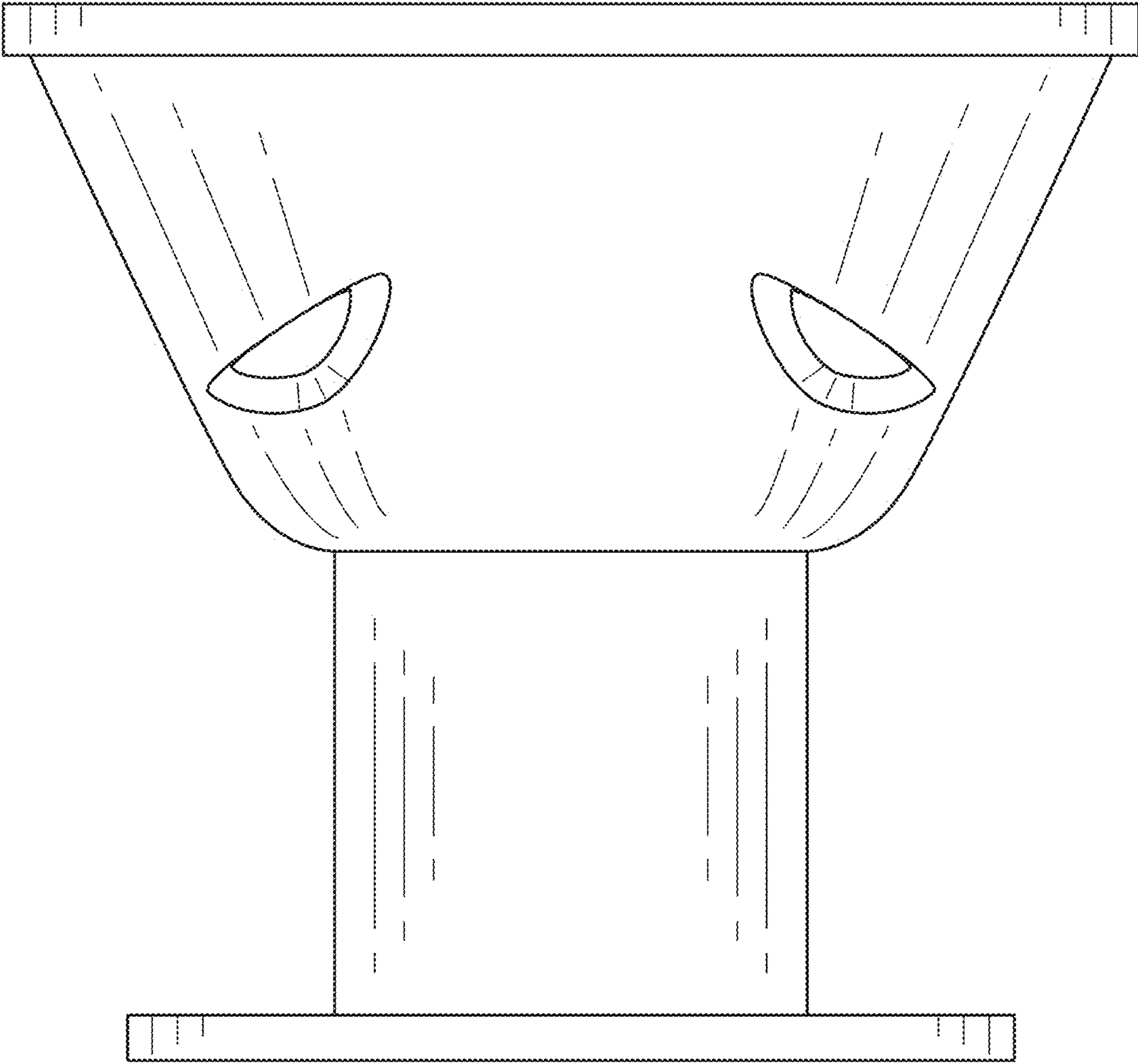


FIG.5

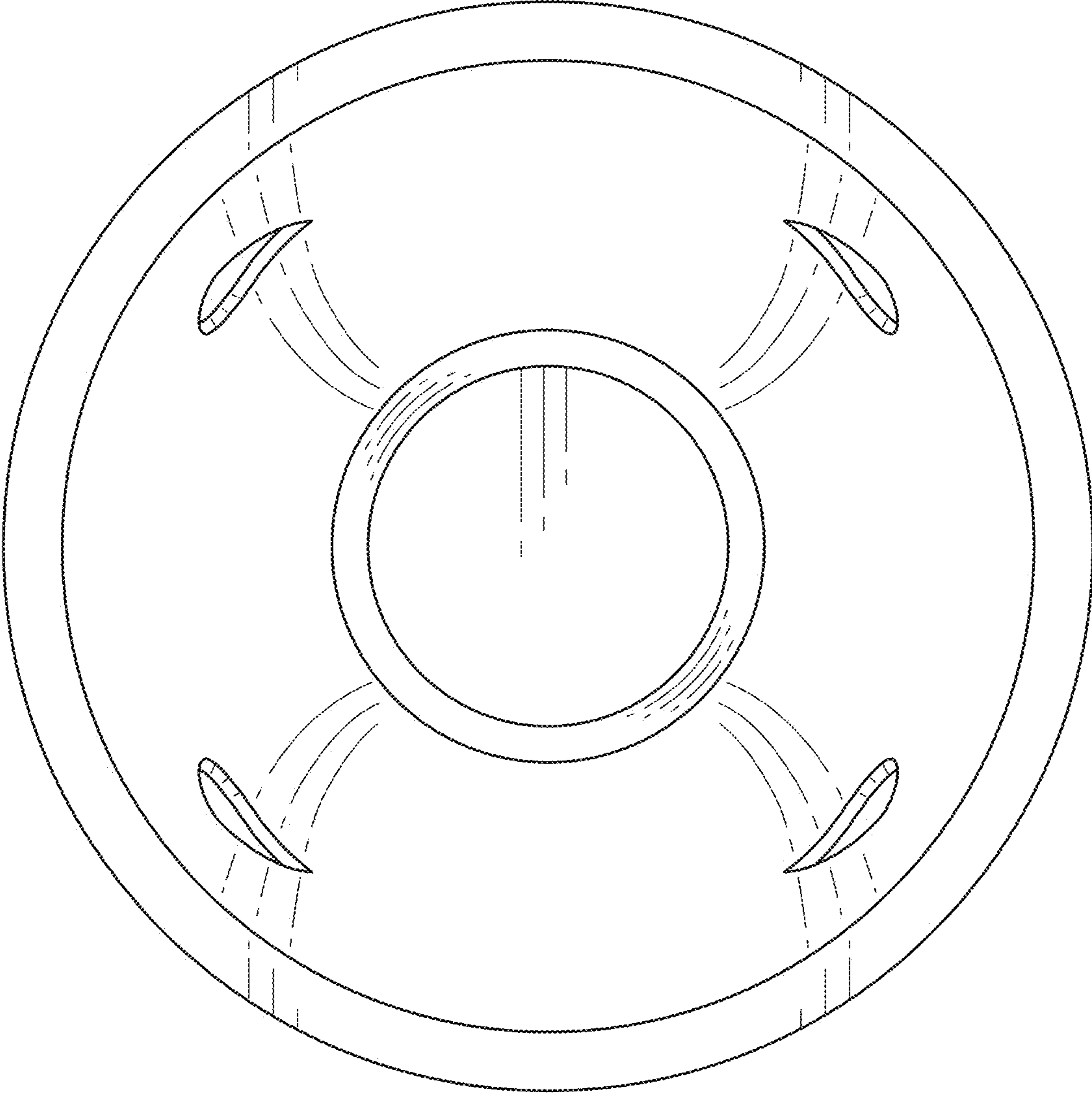


FIG.6

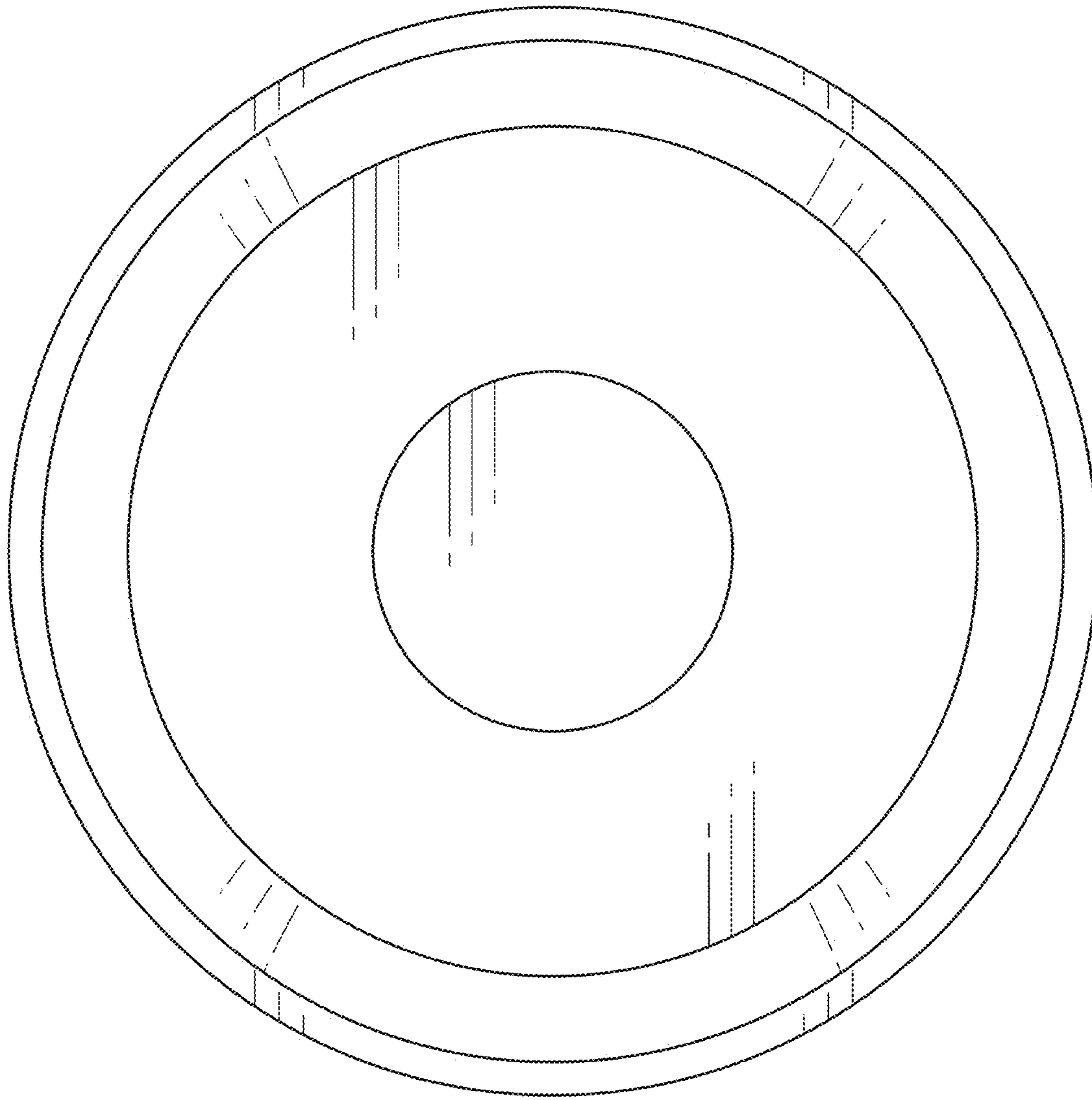


FIG.7

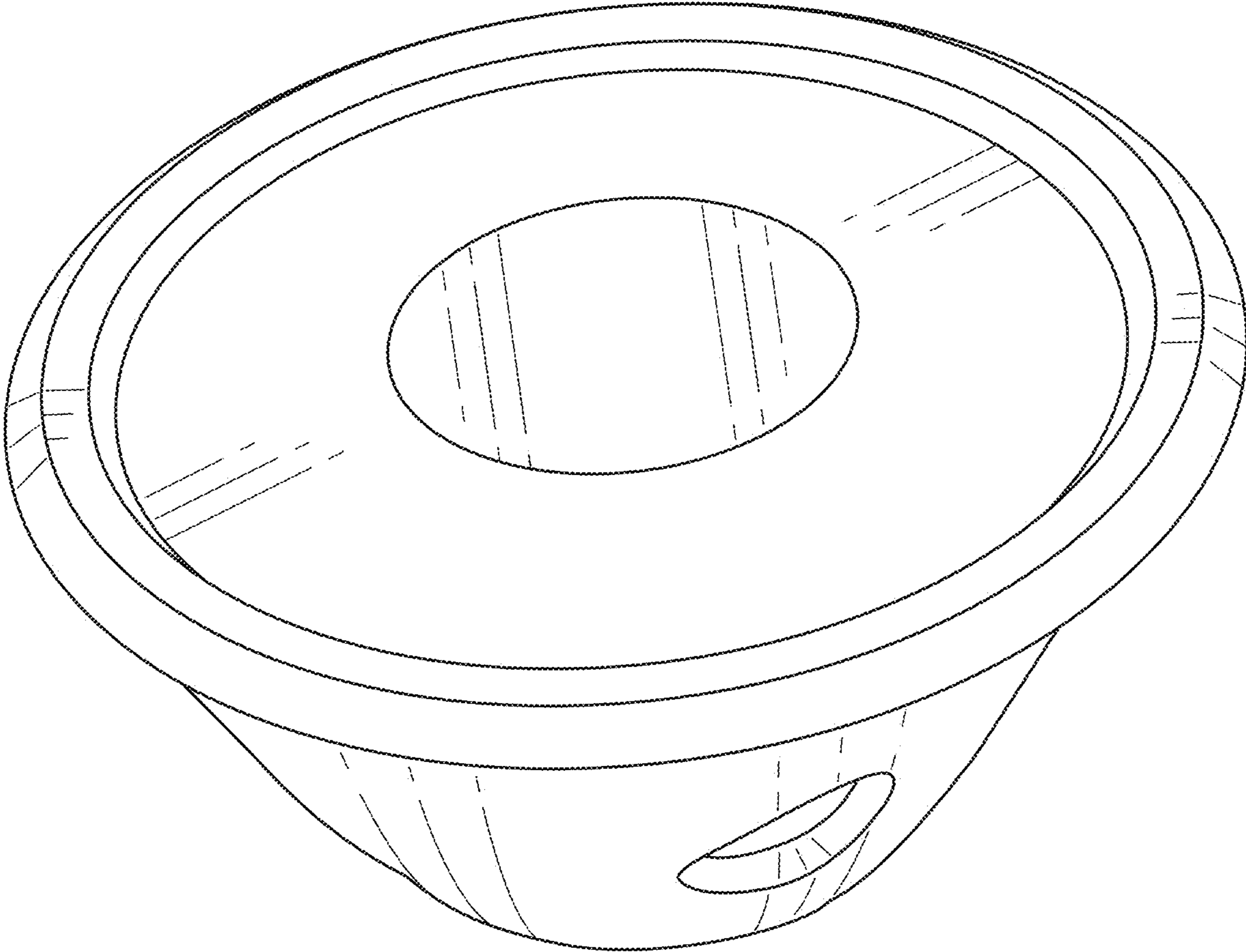


FIG.8

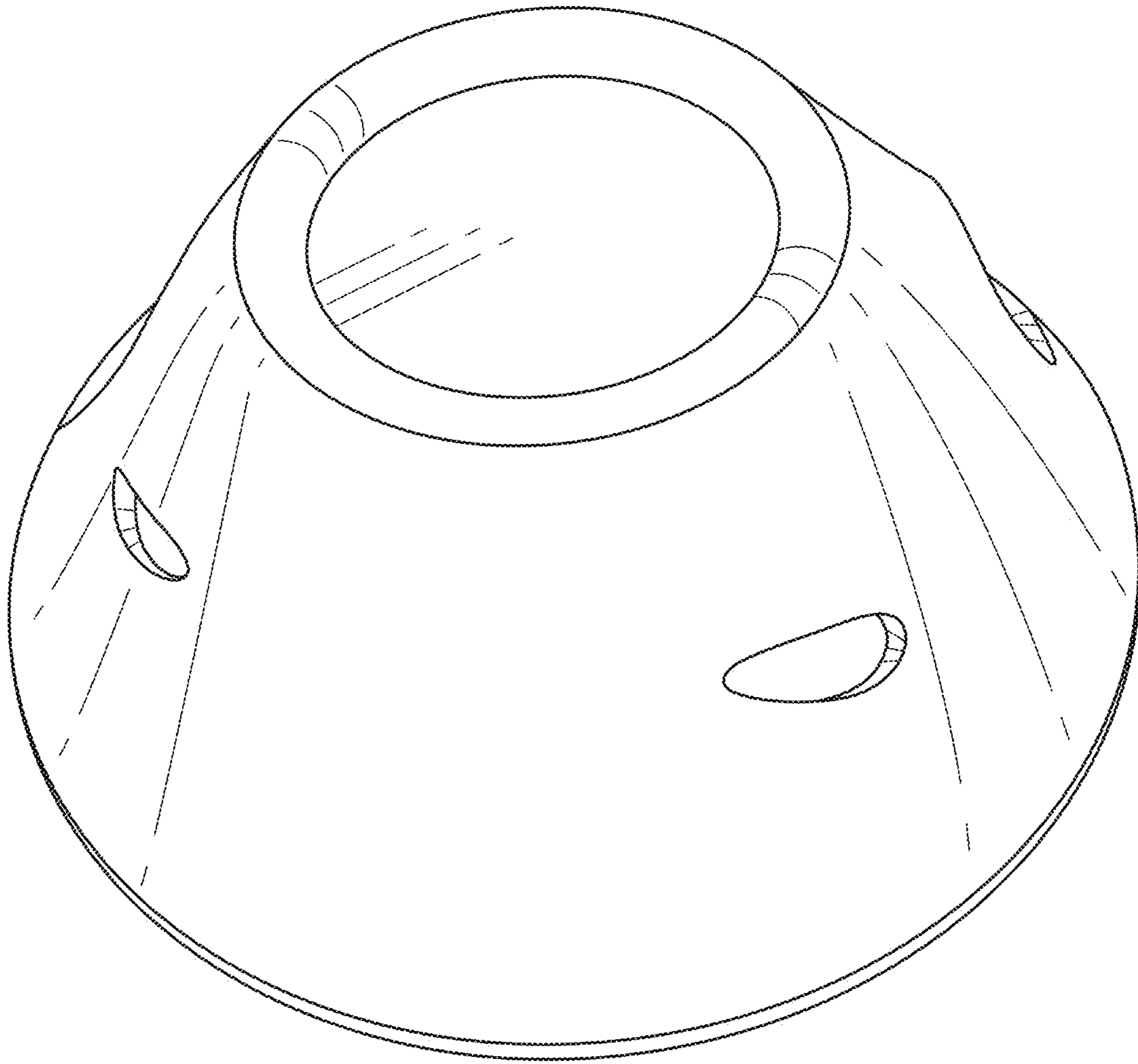


FIG.9