



US00D943204S

(12) **United States Design Patent** (10) **Patent No.:** **US D943,204 S**
Chandra et al. (45) **Date of Patent:** **** Feb. 8, 2022**

(54) **HANDLE FOR BEAUTY TOOL** 5,365,037 A * 11/1994 Chan A45D 4/10
132/227
(71) Applicant: **Helen of Troy Limited**, St. Michael 5,887,600 A * 3/1999 Wilk A46B 7/04
(BB) 132/262
6,920,886 B2 * 7/2005 McCambridge A45D 1/06
132/232
(72) Inventors: **Aakriti Jojo Chandra**, Jersey City, NJ D650,942 S 12/2011 Choi
(US); **Yoon Jung Heo**, Fort Lee, NJ D694,952 S 12/2013 Choi
(US); **Mathieu Zastawny**, Jersey City, D726,961 S * 4/2015 Sayers D28/35
NJ (US); **William Fiebel**, Succasunna, D736,464 S 8/2015 Fernandes da Costa
NJ (US) D748,331 S * 1/2016 Prats D28/35
D783,204 S 4/2017 Climer
D901,899 S * 11/2020 Zhanye D4/102
(73) Assignee: **Helen of Troy Limited**, St. Michael
(BB) (Continued)

(**) Term: **15 Years**

(21) Appl. No.: **29/736,966**

(22) Filed: **Jun. 4, 2020**

(51) **LOC (13) Cl.** **28-03**

(52) **U.S. Cl.**
USPC **D28/35**

(58) **Field of Classification Search**
USPC D28/35, 10, 37, 38; D8/300, 303, 307,
D8/310, 315, 321
CPC A45D 2001/004; A45D 2001/008; A45D
1/00; A45D 1/02; A45D 1/045; A45D
1/06; A45D 1/10; A45D 1/14; A45D
1/16; A45D 1/28; A45D 2/00; A45D
2/02; A45D 2/001; A45D 2/04; A45D
2/06; A45D 2/08; A45D 2/10; A45D
2/38; A45D 2/40
See application file for complete search history.

(56) **References Cited**

U.S. PATENT DOCUMENTS

D264,258 S 5/1982 Zago
D280,031 S 8/1985 Doyle
D281,823 S * 12/1985 Sherman D28/35
D300,065 S * 2/1989 Zaborowski D28/18
4,939,340 A * 7/1990 Brill A45D 1/04
132/229
D318,933 S * 8/1991 Chui D28/35

FOREIGN PATENT DOCUMENTS

EM 001690918-003 4/2010
EM 003528843-0001 12/2016

Primary Examiner — Rebecca Tsehaye

(74) *Attorney, Agent, or Firm* — Rankin, Hill & Clark
LLP

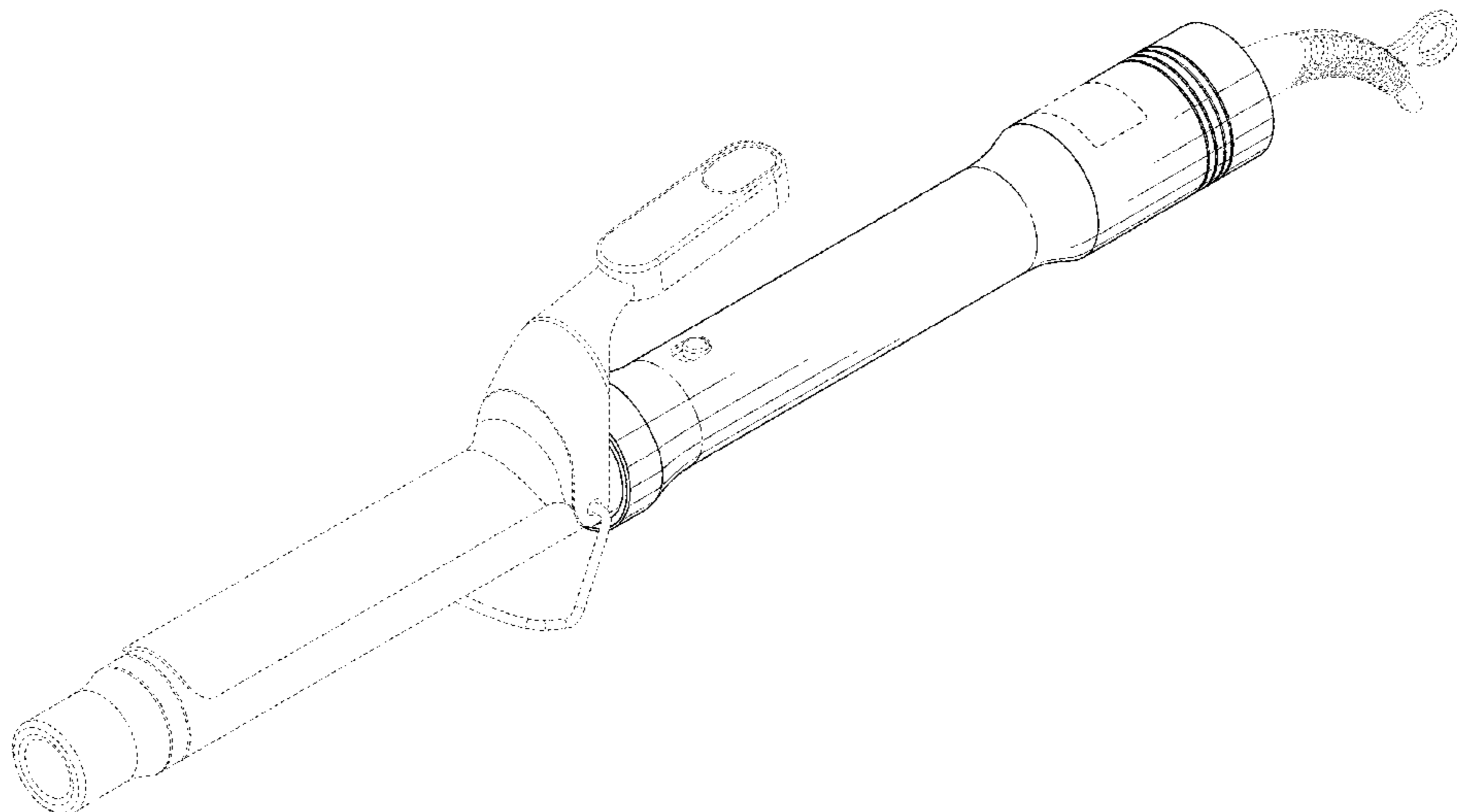
(57) **CLAIM**

The ornamental design for a handle for beauty tool, as shown and described.

DESCRIPTION

FIG. 1 is a top, right side perspective view of a new, original and ornamental design for a handle for beauty tool; FIG. 2 is a front elevation of FIG. 1; FIG. 3 is a rear elevation view of FIG. 1; FIG. 4 is a left side elevation view of FIG. 1; FIG. 5 is a right side elevation view of FIG. 1; FIG. 6 is a top plan view of FIG. 1; FIG. 7 is a bottom plan view of FIG. 1; and, FIG. 8 is a bottom, right side perspective view of FIG. 1. The broken lines in the drawings depict portions of the handle for beauty tool that form no part of the claimed design.

1 Claim, 5 Drawing Sheets



(56)

References Cited

U.S. PATENT DOCUMENTS

D912,896 S *	3/2021	Zhao	D28/35
D912,987 S *	3/2021	Chandra	D4/100
D913,589 S *	3/2021	Thalmann	D28/35
D917,096 S *	4/2021	Huang	D28/35

* cited by examiner

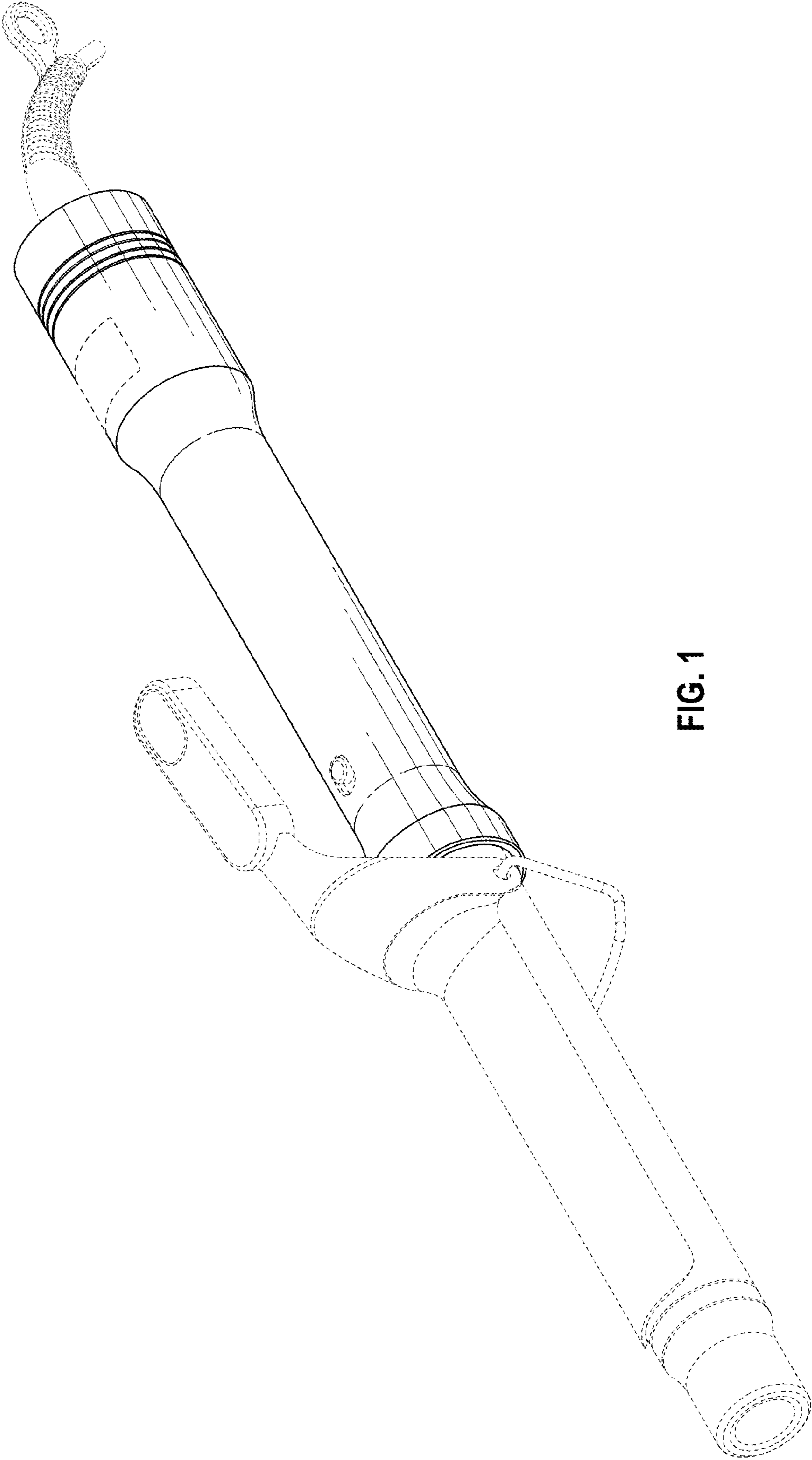


FIG. 1

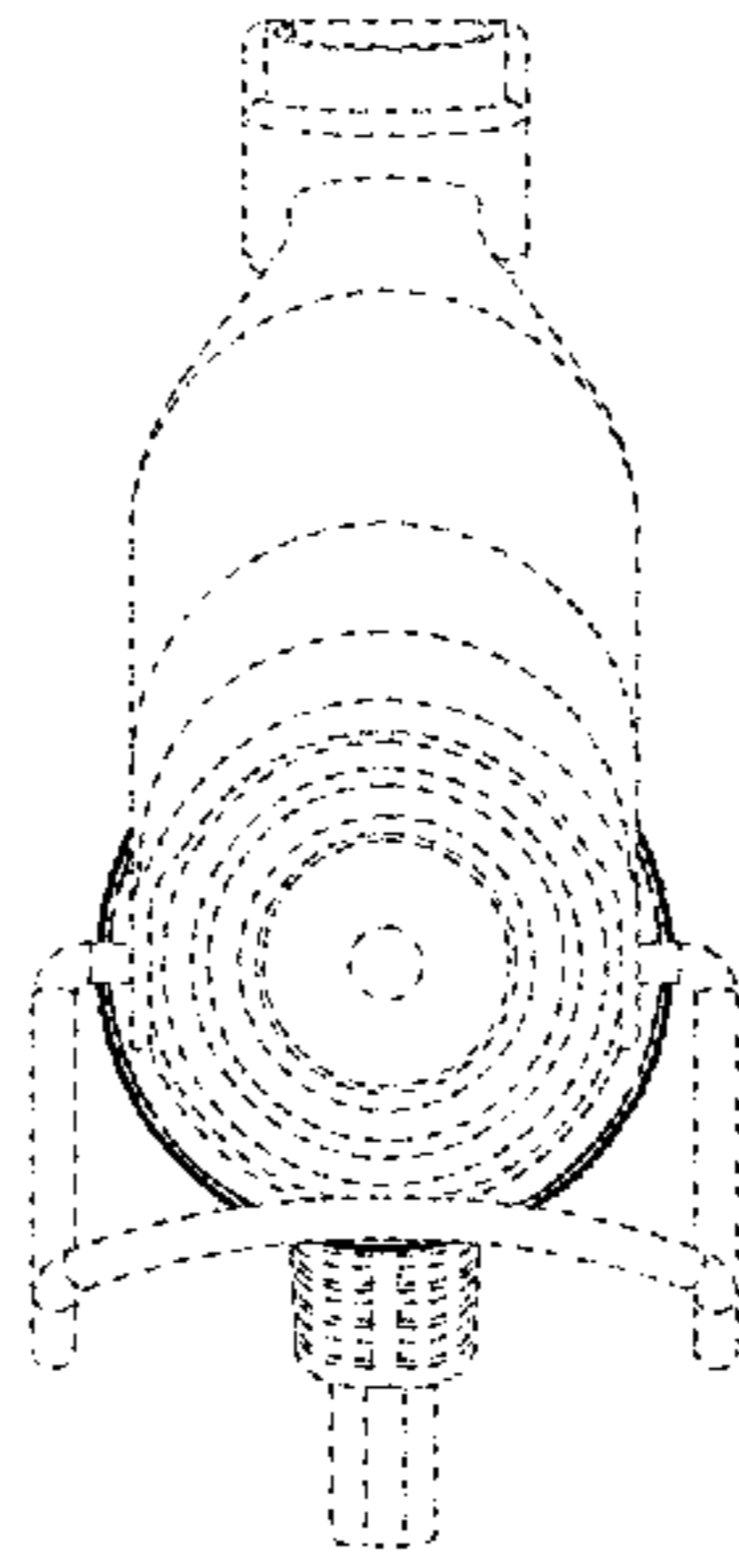


FIG. 2

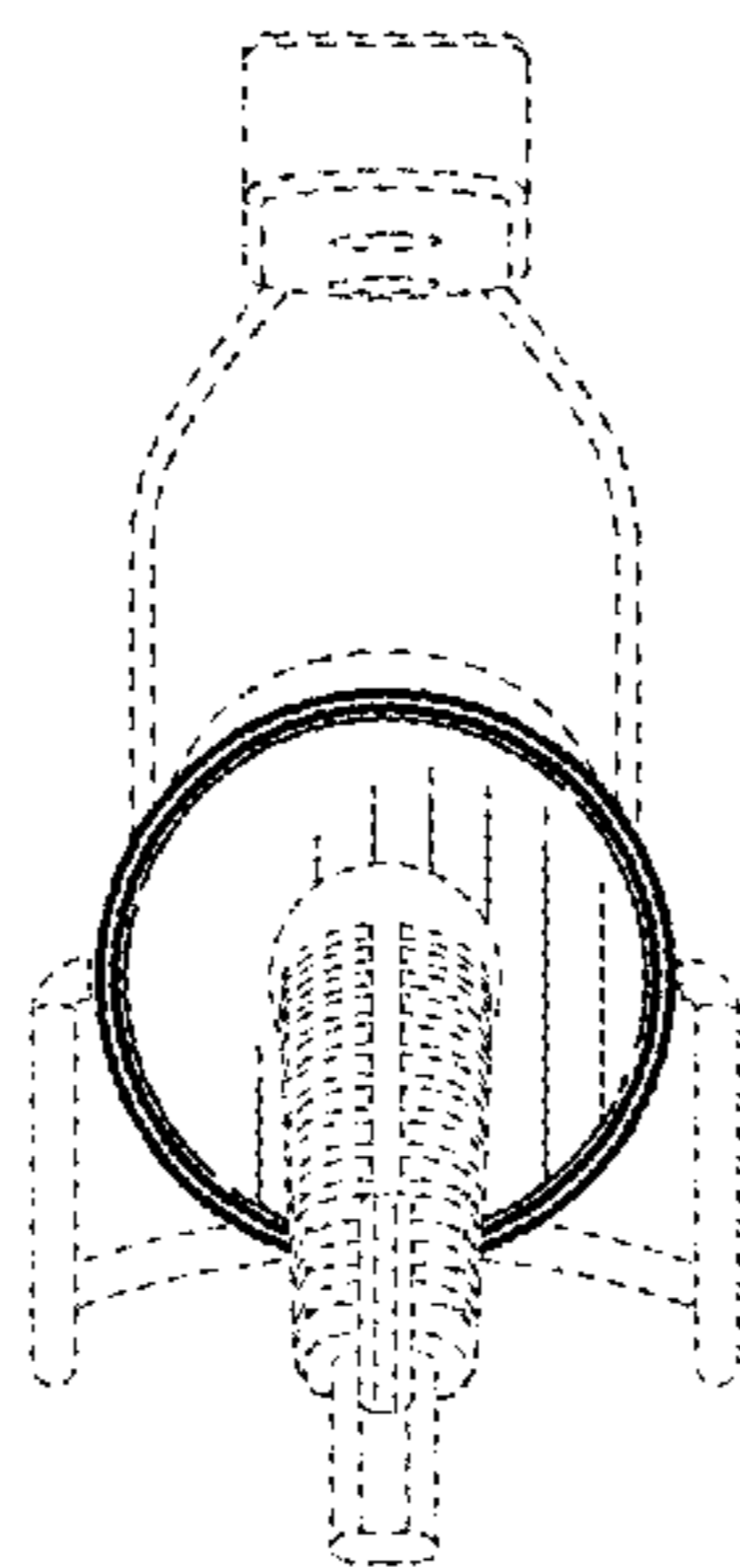


FIG. 3

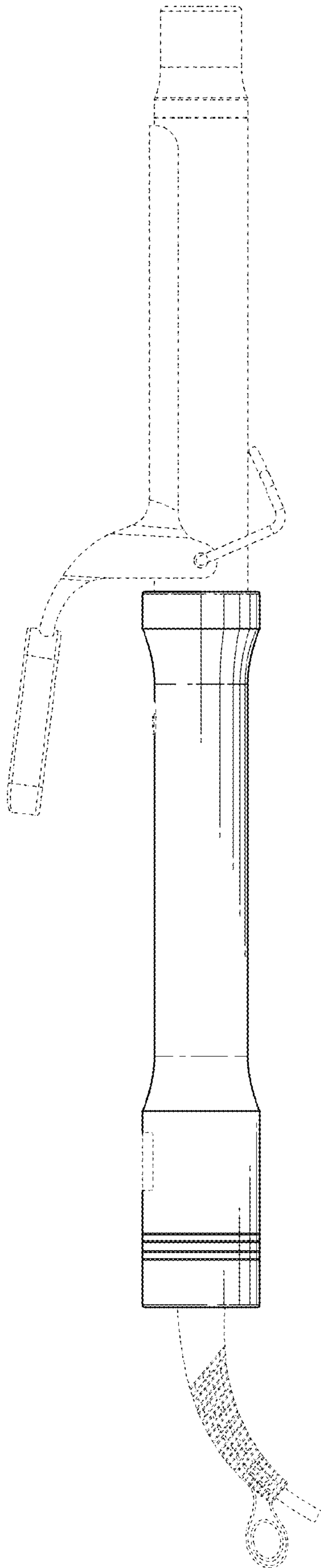


FIG. 4

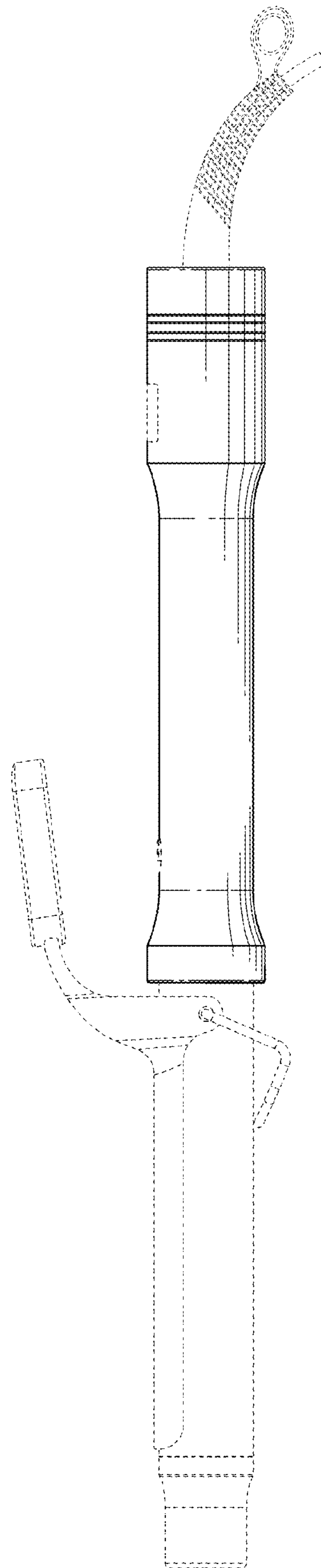


FIG. 5

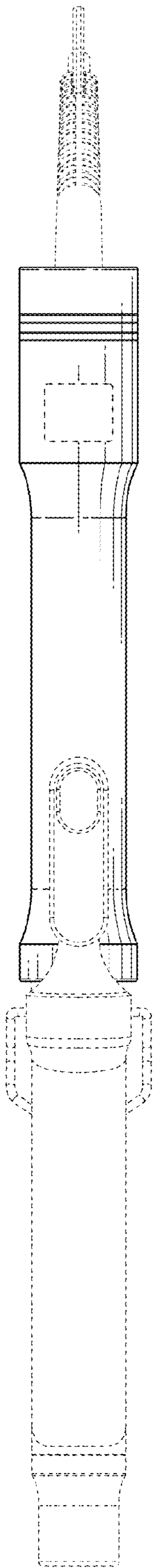


FIG. 6

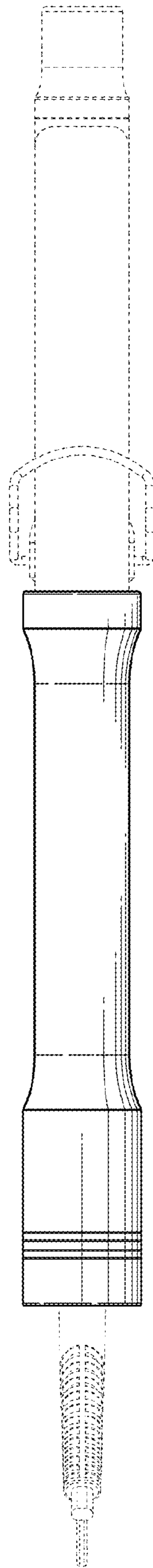


FIG. 7

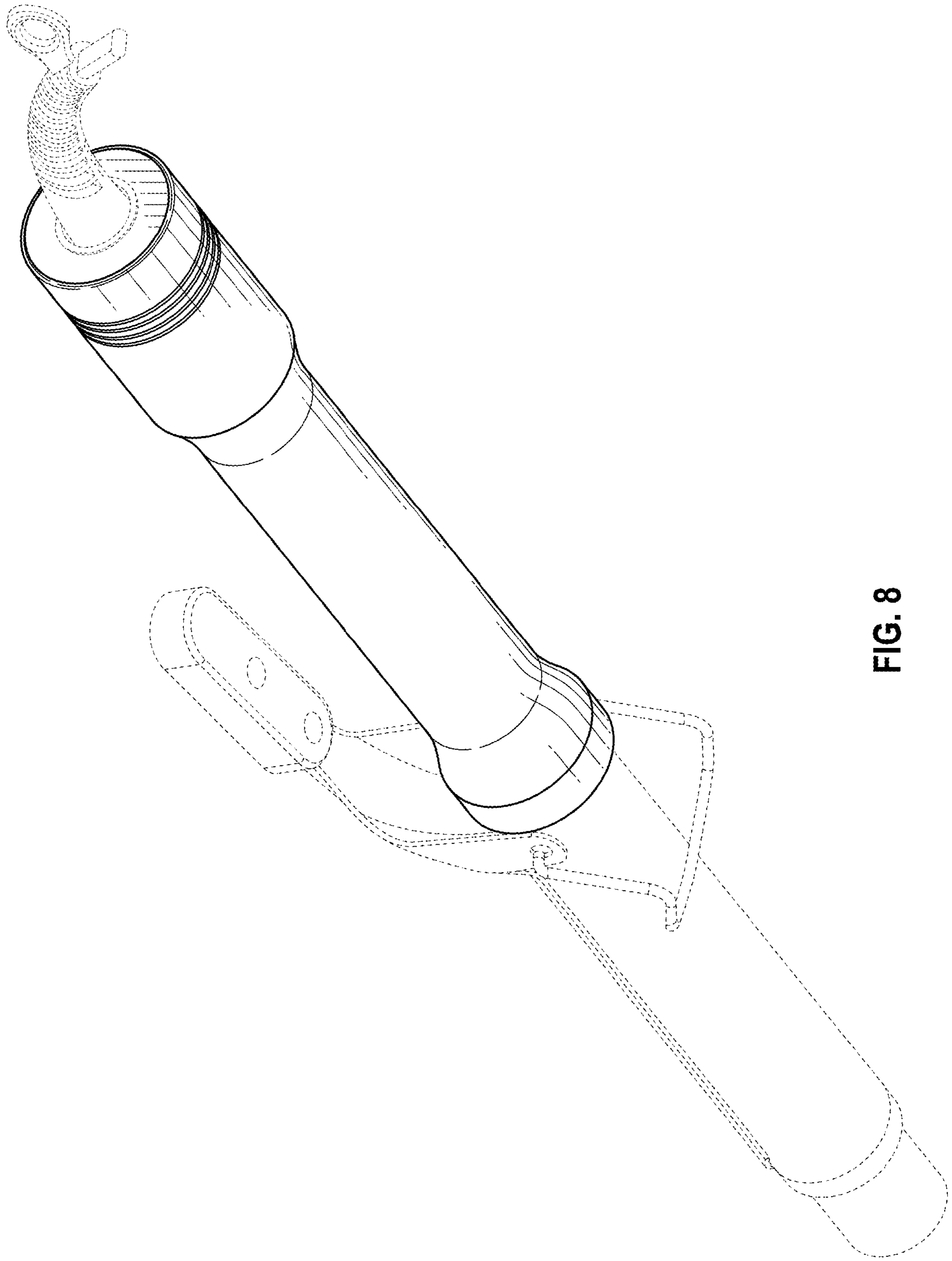


FIG. 8