



US00D943203S

(12) **United States Design Patent** (10) **Patent No.:** **US D943,203 S**  
**Chandra et al.** (45) **Date of Patent:** **\*\* Feb. 8, 2022**

(54) **BEAUTY TOOL**

(71) Applicant: **Helen of Troy Limited**, St. Michael (BB)

(72) Inventors: **Aakriti Jojo Chandra**, Jersey City, NJ (US); **Yoon Jung Heo**, Fort Lee, NJ (US); **Mathieu Zastawny**, Jersey City, NJ (US); **William Fiebel**, Succasunna, NJ (US)

6,920,886 B2 \* 7/2005 McCambridge ..... A45D 1/06  
 132/232

D629,563 S \* 12/2010 Mau ..... D28/35

D650,942 S 12/2011 Choi

D694,952 S 12/2013 Choi

D698,487 S \* 1/2014 Byun ..... D28/35

D726,961 S \* 4/2015 Sayers ..... D28/35

D736,464 S 8/2015 Fernandes da Costa

D748,331 S \* 1/2016 Prats ..... D28/35

D783,204 S 4/2017 Climer

(Continued)

(73) Assignee: **Helen of Troy Limited**, St. Michael (BB)

FOREIGN PATENT DOCUMENTS

EM 001690918-003 4/2010

EM 003528843-0001 12/2016

(\*\*) Term: **15 Years**

OTHER PUBLICATIONS

(21) Appl. No.: **29/736,146**

Curling Iron By: Abody found on Amazon Jun. 1, 2021 <https://www.amazon.com/Abody-Tourmaline-Anti-scalding-Insulated-Resistant/product-reviews/B07PPBV4HN/ref=> Oct. 14, 2019.\*

(22) Filed: **May 28, 2020**

(51) **LOC (13) Cl.** ..... **28-03**

(52) **U.S. Cl.**  
 USPC ..... **D28/35**

*Primary Examiner* — Rebecca Tsehaye

(58) **Field of Classification Search**  
 USPC ..... D28/58, 57, 59, 10, 11, 44, 49, 48, 35,  
 D28/37, 38; D24/146, 147

CPC ..... A45D 29/14; A45D 29/05; A45D 29/00;  
 A45D 2200/1054; A45D 2200/00; A61H  
 35/0005; A61H 35/006; A61H 35/00;  
 A61B 2017/32; A61B 2017/004; A61B  
 17/54

(74) *Attorney, Agent, or Firm* — Rankin, Hill & Clark LLP

See application file for complete search history.

(57) **CLAIM**

The ornamental design for a beauty tool, as shown and described.

(56) **References Cited**

U.S. PATENT DOCUMENTS

D264,258 S 5/1982 Zago

D280,031 S 8/1985 Doyle

D281,823 S \* 12/1985 Sherman ..... D28/35

4,939,340 A \* 7/1990 Brill ..... A45D 1/04  
 132/229

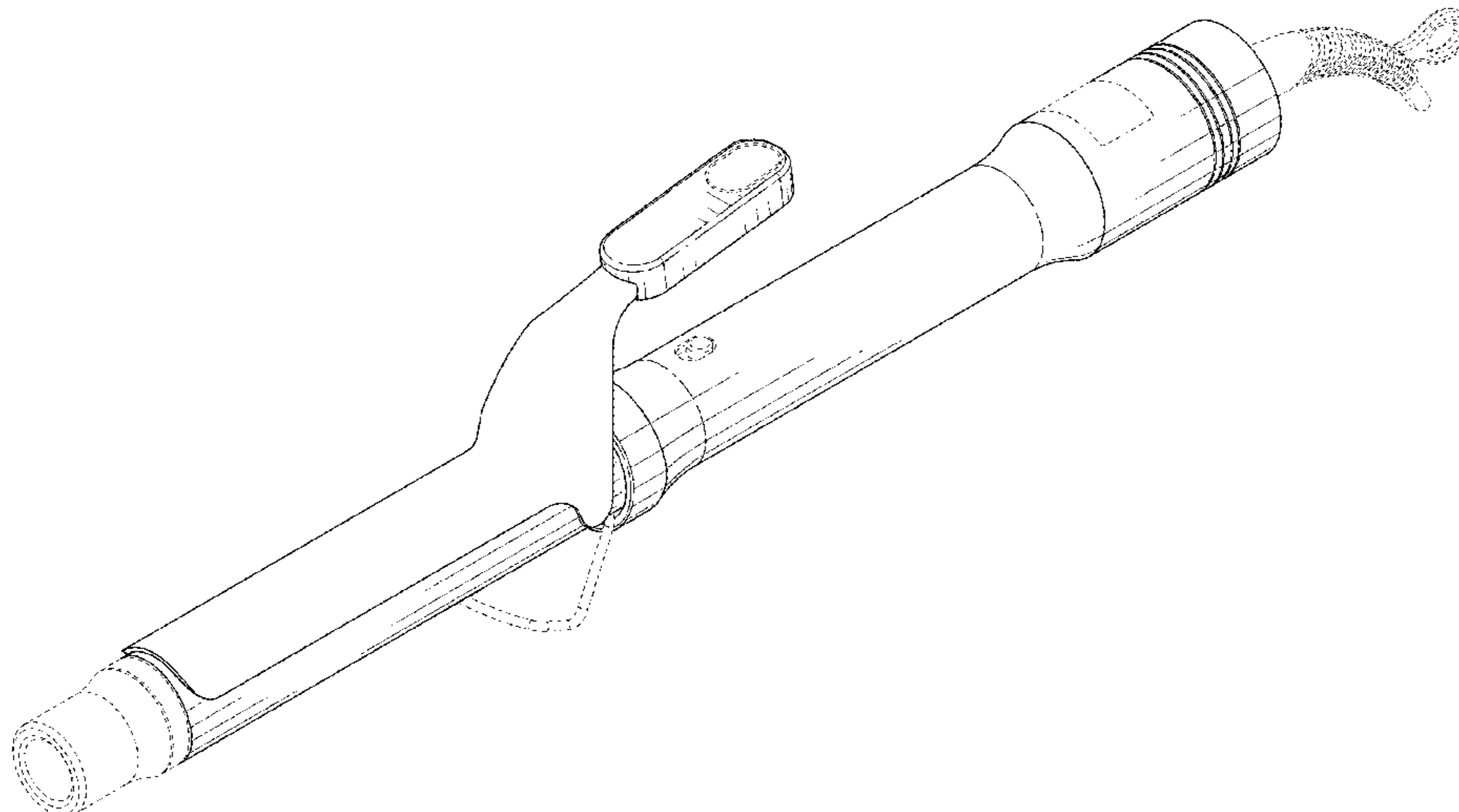
5,400,810 A \* 3/1995 Taylor ..... A45D 1/04  
 132/227

5,887,600 A \* 3/1999 Wilk ..... A46B 7/04  
 132/262

**DESCRIPTION**

FIG. 1 is a top, right side perspective view of a new, original and ornamental design for a beauty tool;  
 FIG. 2 is a front elevation of FIG. 1;  
 FIG. 3 is a rear elevation view of FIG. 1;  
 FIG. 4 is a left side elevation view of FIG. 1;  
 FIG. 5 is a right side elevation view of FIG. 1;  
 FIG. 6 is a top plan view of FIG. 1;  
 FIG. 7 is a bottom plan view of FIG. 1; and,  
 FIG. 8 is a bottom, right side perspective view of FIG. 1.  
 The broken lines in the drawings depict portions of the beauty tool that form no part of the claimed design.

**1 Claim, 5 Drawing Sheets**



(56)

**References Cited**

U.S. PATENT DOCUMENTS

D913,589 S	*	3/2021	Thalmann .....	D28/35
D915,670 S	*	4/2021	Huang .....	D28/35
D921,290 S	*	6/2021	Yang .....	D28/35

\* cited by examiner

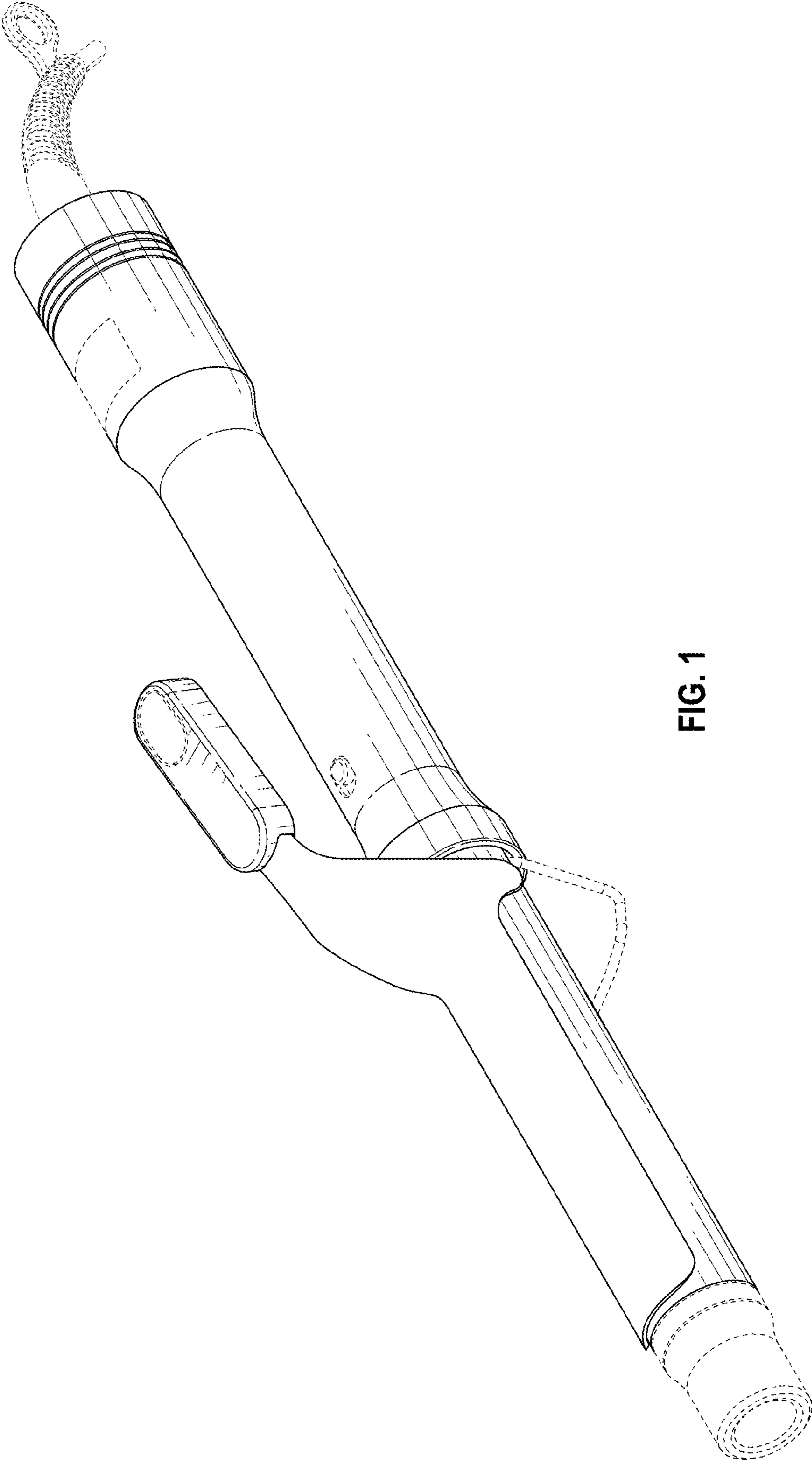


FIG. 1

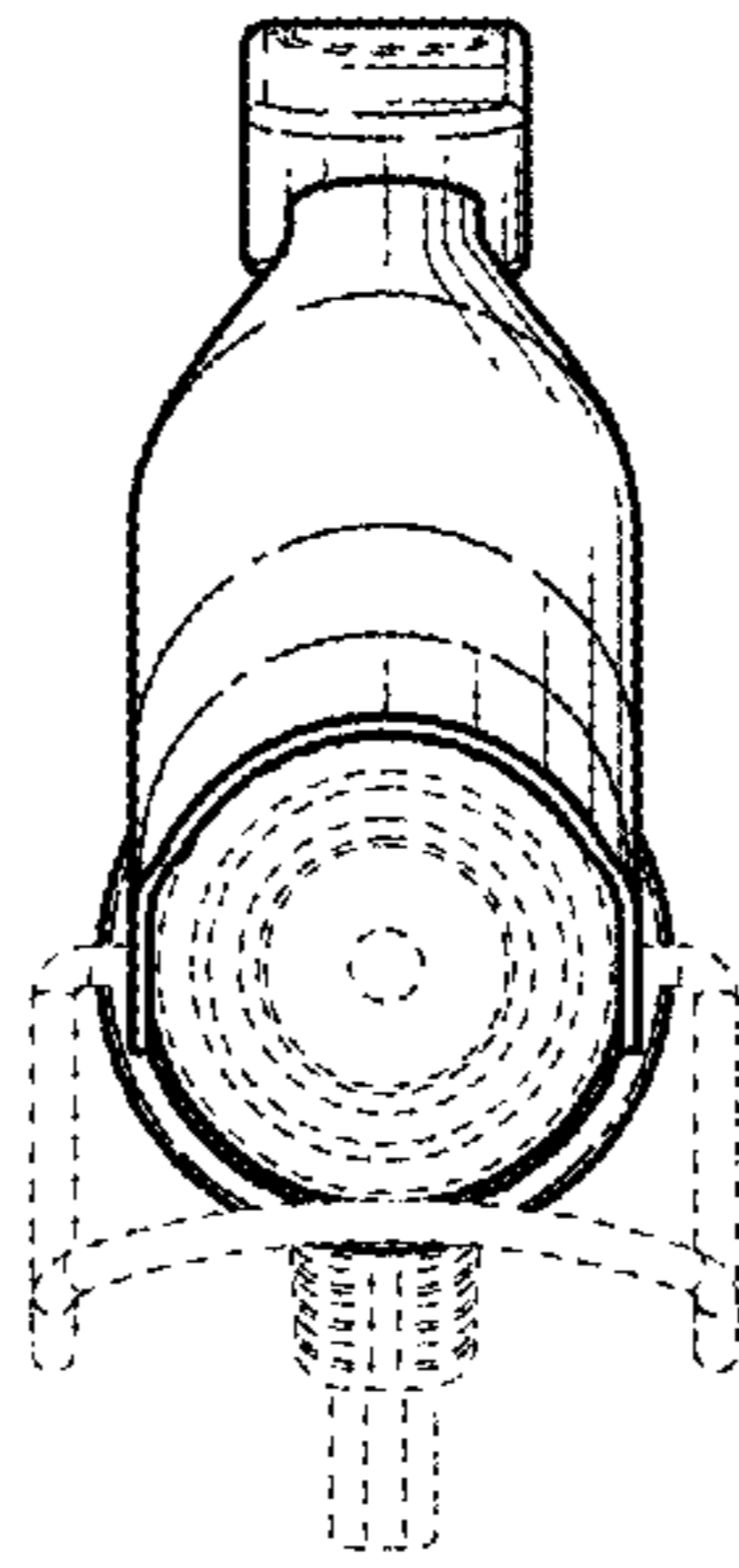


FIG. 2

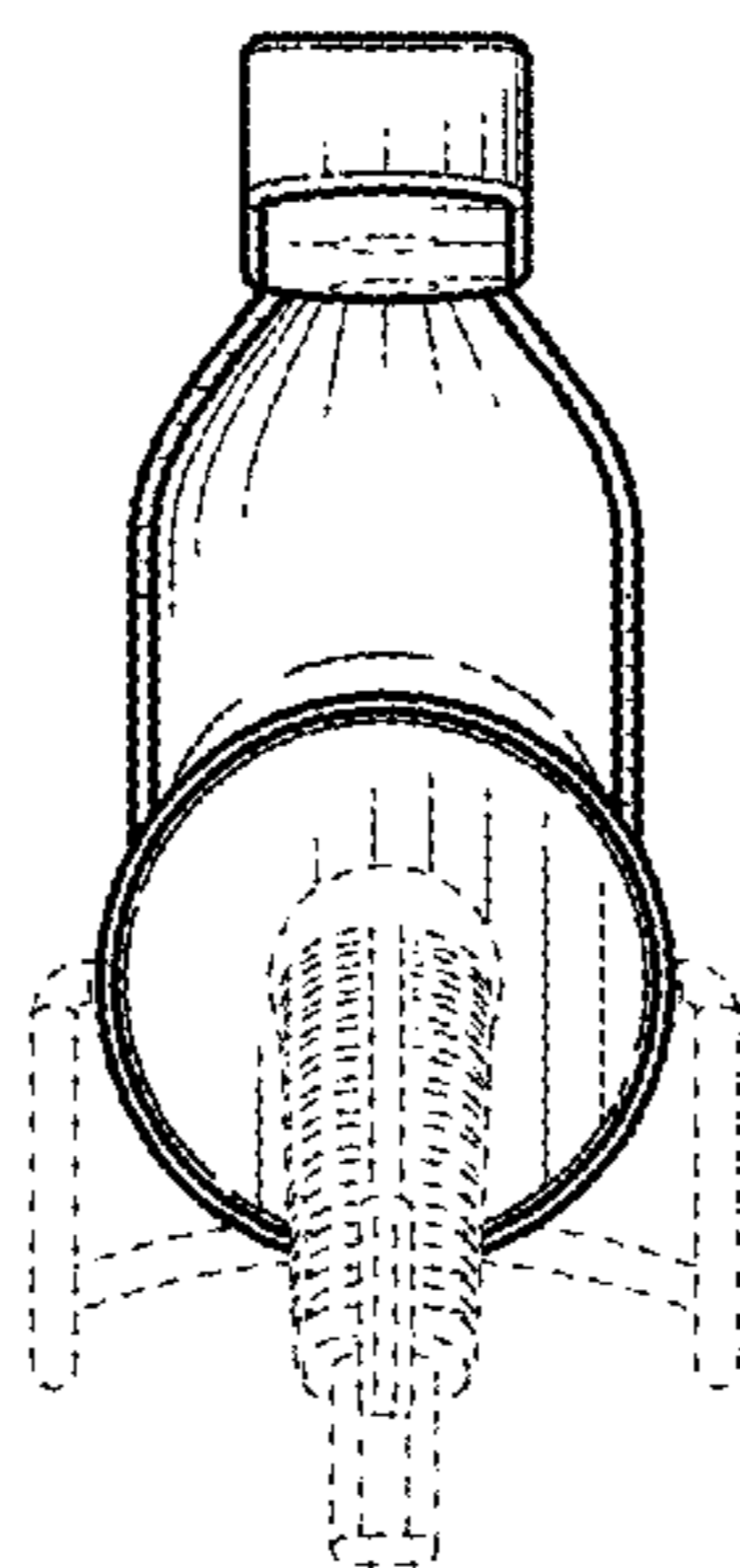


FIG. 3

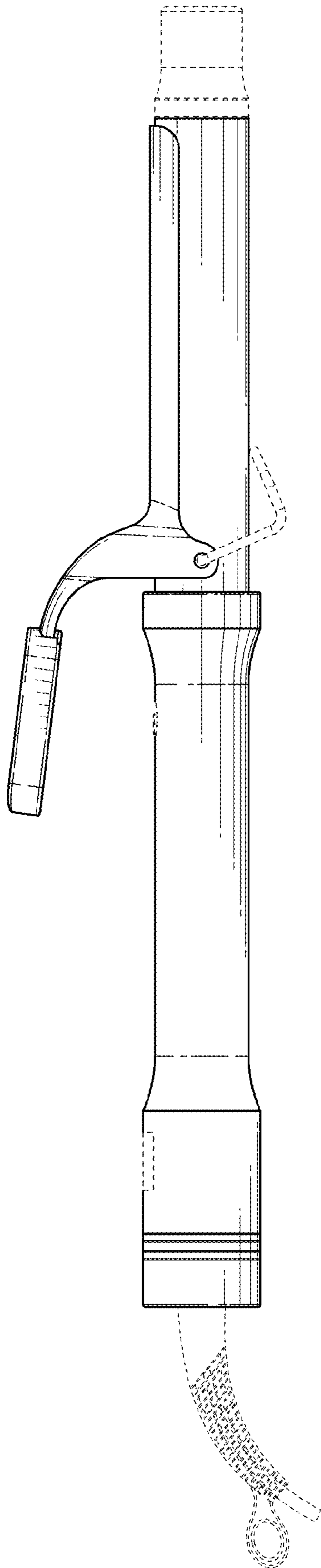


FIG. 4

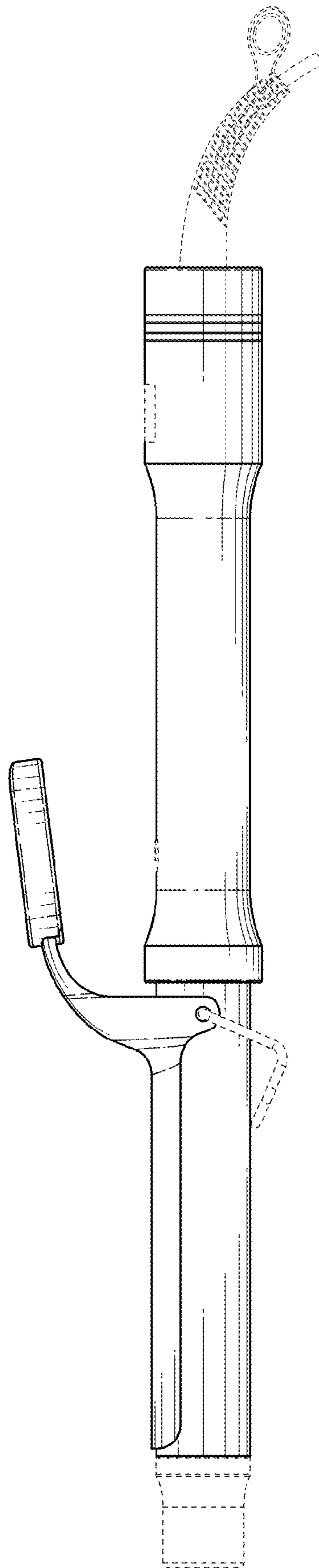


FIG. 5

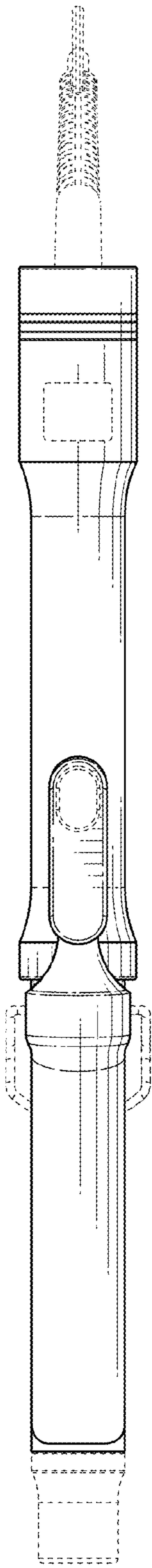


FIG. 6

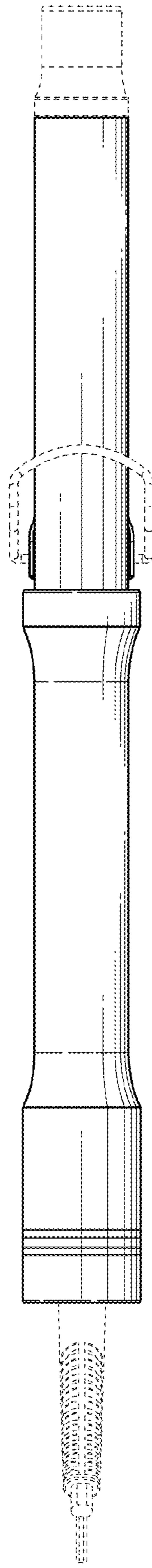


FIG. 7



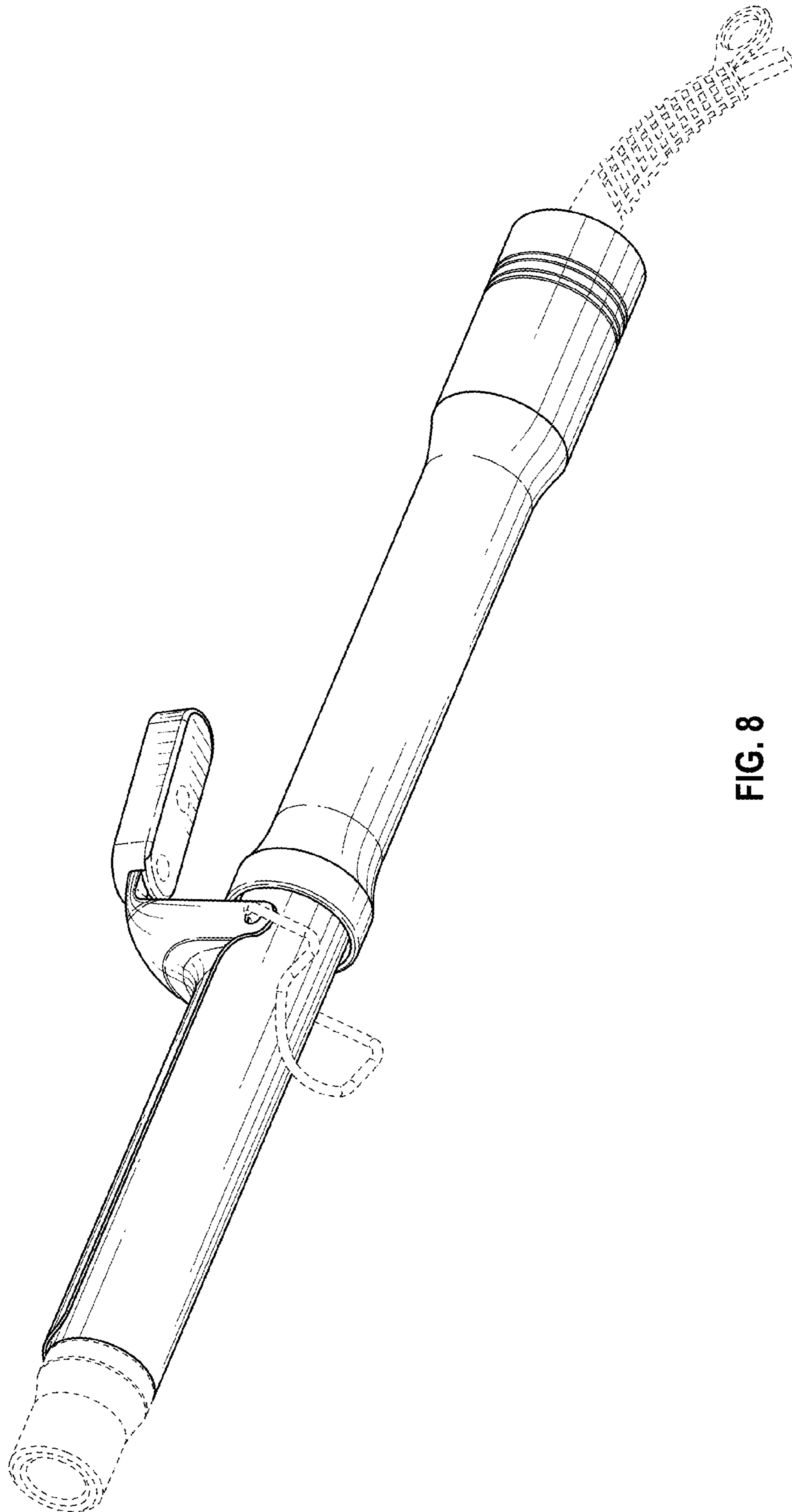


FIG. 8