



US00D943202S

(12) **United States Design Patent** (10) **Patent No.:** **US D943,202 S**
Moon et al. (45) **Date of Patent:** **** Feb. 8, 2022**

(54) **HAIR DRYER**
(71) Applicant: **Helen of Troy Limited**, St. Michael (BB)
(72) Inventors: **Jane Yoojung Moon**, Tustin, CA (US); **Dave Janowick**, Newport Beach, CA (US); **Stephen Gwin**, Los Angeles, CA (US)

D758,657 S * 6/2016 Hary D28/13
D775,764 S * 1/2017 Prat-Pfister D28/13
D810,356 S * 2/2018 Janowick D28/16
D815,353 S 4/2018 Barbar
D821,647 S * 6/2018 Parodi D28/13
D858,874 S * 9/2019 Parodi D28/13
D865,284 S * 10/2019 Janowick D28/13
D899,683 S * 10/2020 Brady D28/13
D901,764 S * 11/2020 Huang D28/13

(Continued)

(73) Assignee: **Helen of Troy Limited**, St. Michael (BB)

FOREIGN PATENT DOCUMENTS

(**) Term: **15 Years**

EM 000298591-0005 5/2005
EM 001647595-0001 1/2010

(21) Appl. No.: **29/738,070**

OTHER PUBLICATIONS

(22) Filed: **Jun. 15, 2020**

Hair Dryer By: InStyler found on Bedbathandbeyond May 17, 2021
<https://www.bedbathandbeyond.com/store/product/instyler-blu-turbo-ionic-dryer/1046861535?categoryId=13749> (2019).*

(51) **LOC (13) Cl.** **28-03**

(52) **U.S. Cl.**
USPC **D28/13**

(58) **Field of Classification Search**
USPC D28/13, 10, 12, 15, 17, 18, 24, 25, 99;
D8/29.1

CPC A45D 20/122; A45D 20/12; A45D 20/08;
A45D 20/10; A45D 20/04; A45D 20/00;
F24H 3/0423; F24H 9/2064

See application file for complete search history.

Primary Examiner — Rebecca Tsehaye
(74) *Attorney, Agent, or Firm* — Rankin, Hill & Clark LLP

(57) **CLAIM**

The ornamental design for a hair dryer, as shown and described.

(56) **References Cited**

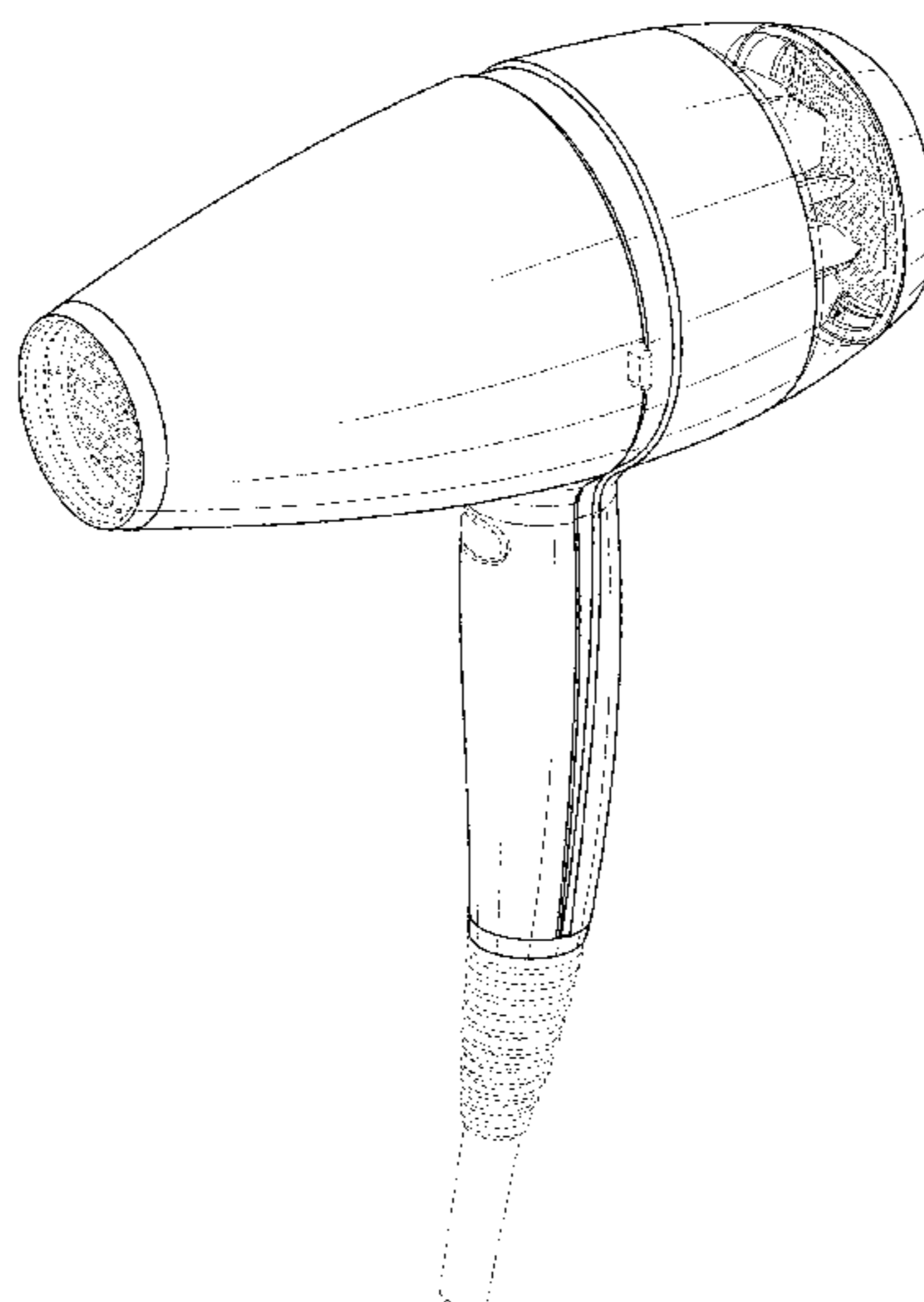
DESCRIPTION

U.S. PATENT DOCUMENTS

D254,689 S 4/1980 Neumark
D473,341 S 4/2003 Bokelman-Dumas
D494,710 S * 8/2004 Parodi D28/13
D496,754 S * 9/2004 Parodi D28/13
D518,919 S 4/2006 Parodi
D527,145 S 8/2006 Zimmermann
D544,147 S 6/2007 Baudouin
D600,406 S * 9/2009 Leung D28/13
D641,521 S * 7/2011 Parodi D28/13
D677,834 S 3/2013 Sayers et al.
D678,607 S * 3/2013 Parodi D28/13
D715,485 S * 10/2014 Parodi A45D 20/12
D28/13

FIG. 1 is a top, right side perspective view of a new, original and ornamental design for a hair dryer;
FIG. 2 is a front elevation of FIG. 1;
FIG. 3 is a rear elevation view of FIG. 1;
FIG. 4 is a left side elevation view of FIG. 1;
FIG. 5 is a right side elevation view of FIG. 1;
FIG. 6 is a top plan view of FIG. 1; and,
FIG. 7 is a bottom plan view of FIG. 1.
The broken lines in the drawings depict portions of the hair dryer that form no part of the claimed design.

1 Claim, 7 Drawing Sheets



(56)

References Cited

U.S. PATENT DOCUMENTS

D909,675 S * 2/2021 Huang D28/13
D911,603 S * 2/2021 Wang D28/13

* cited by examiner

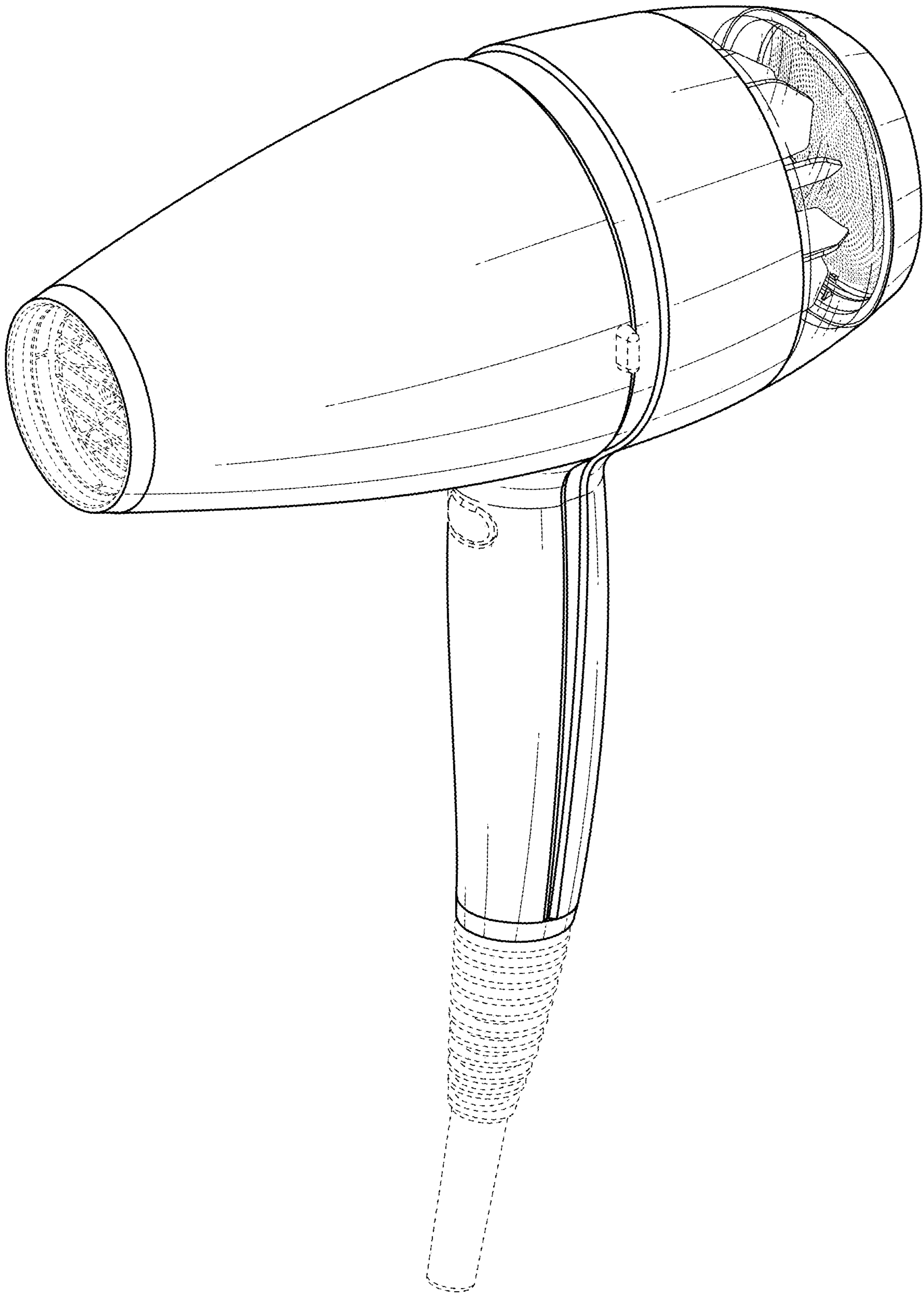


FIG. 1

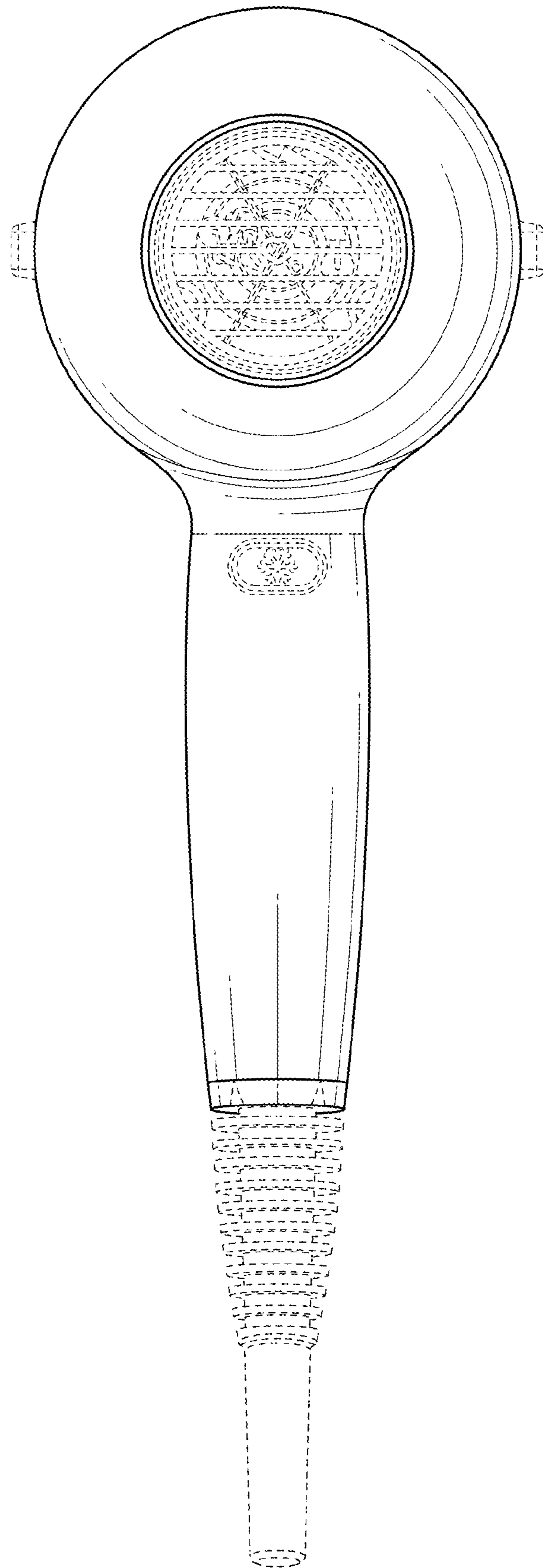


FIG. 2

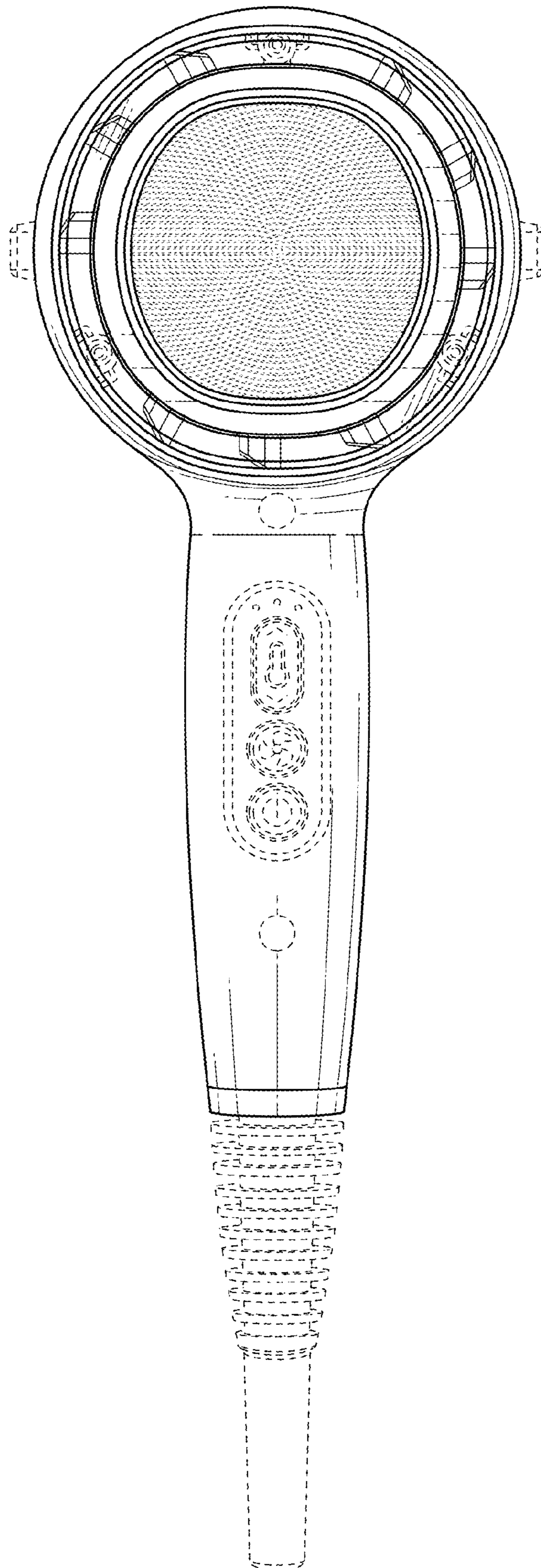


FIG. 3

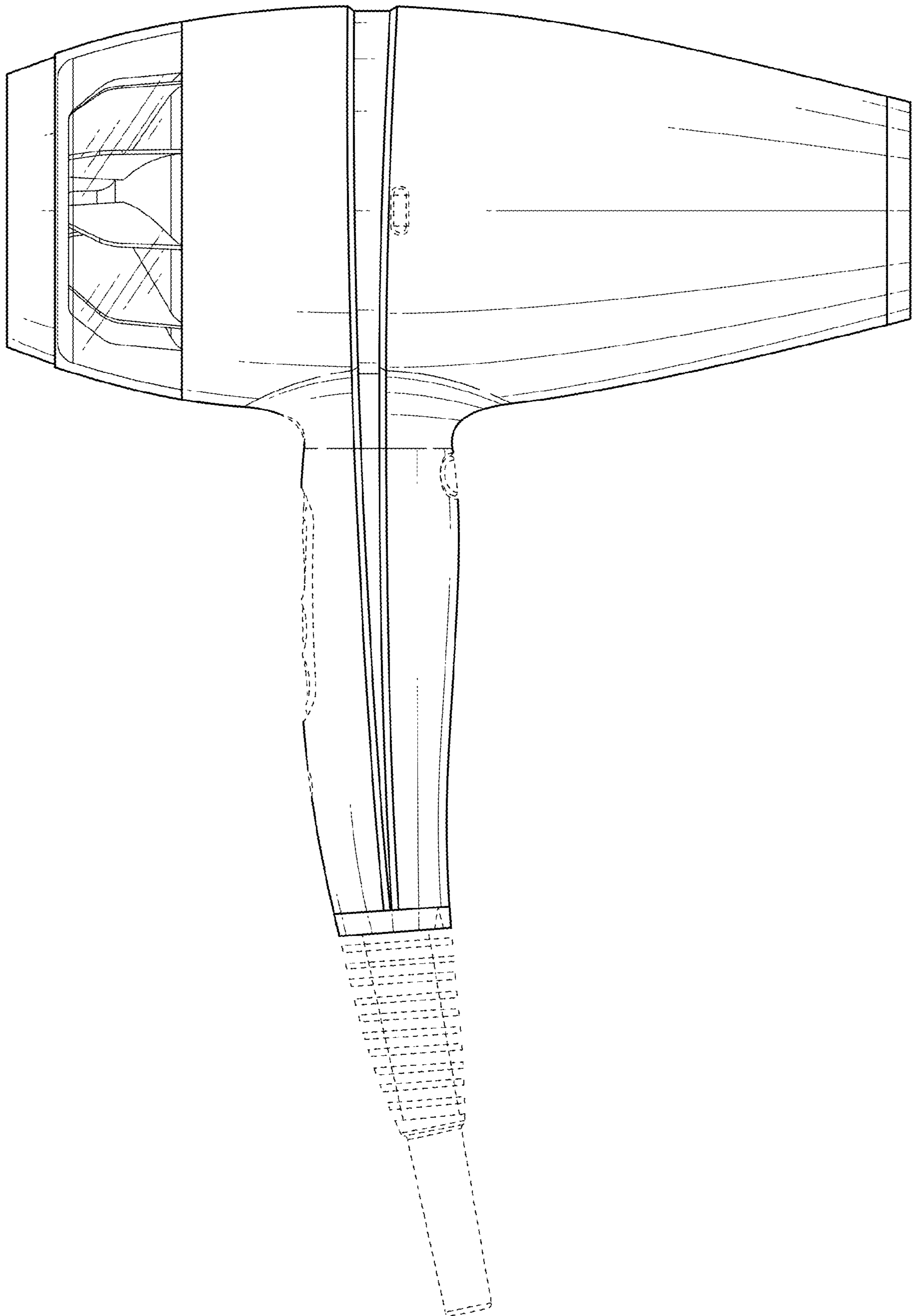


FIG. 4

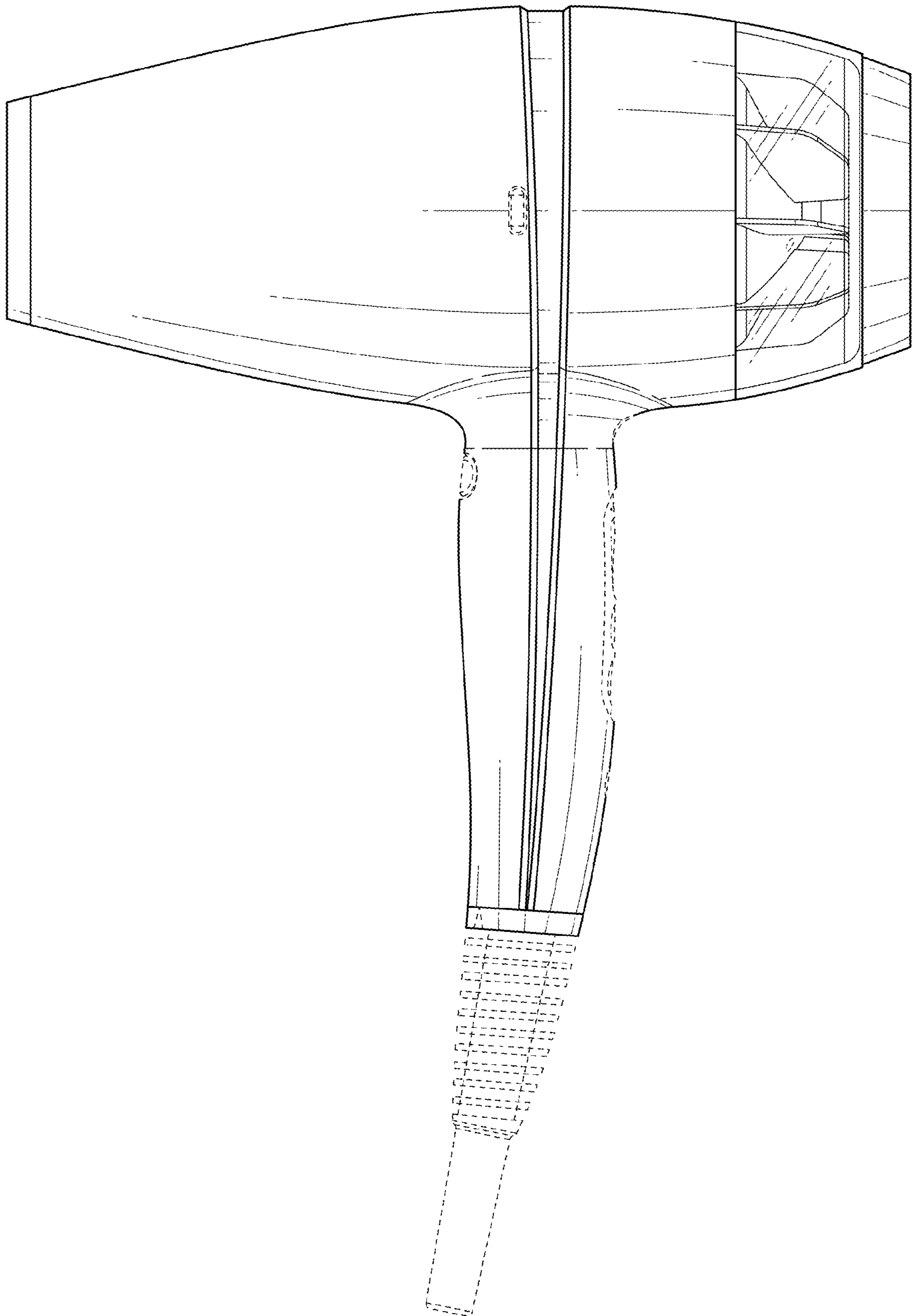


FIG. 5

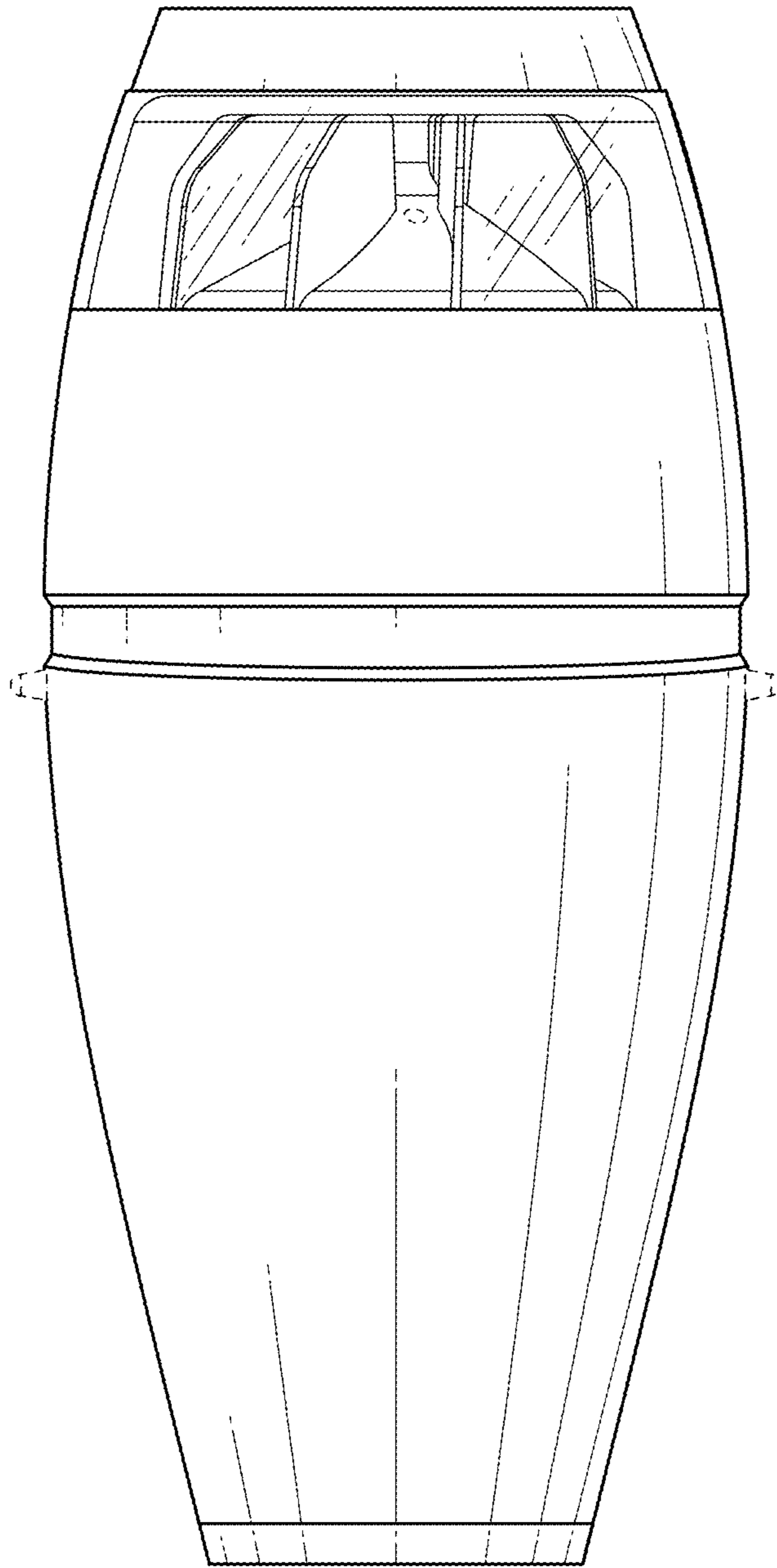


FIG. 6

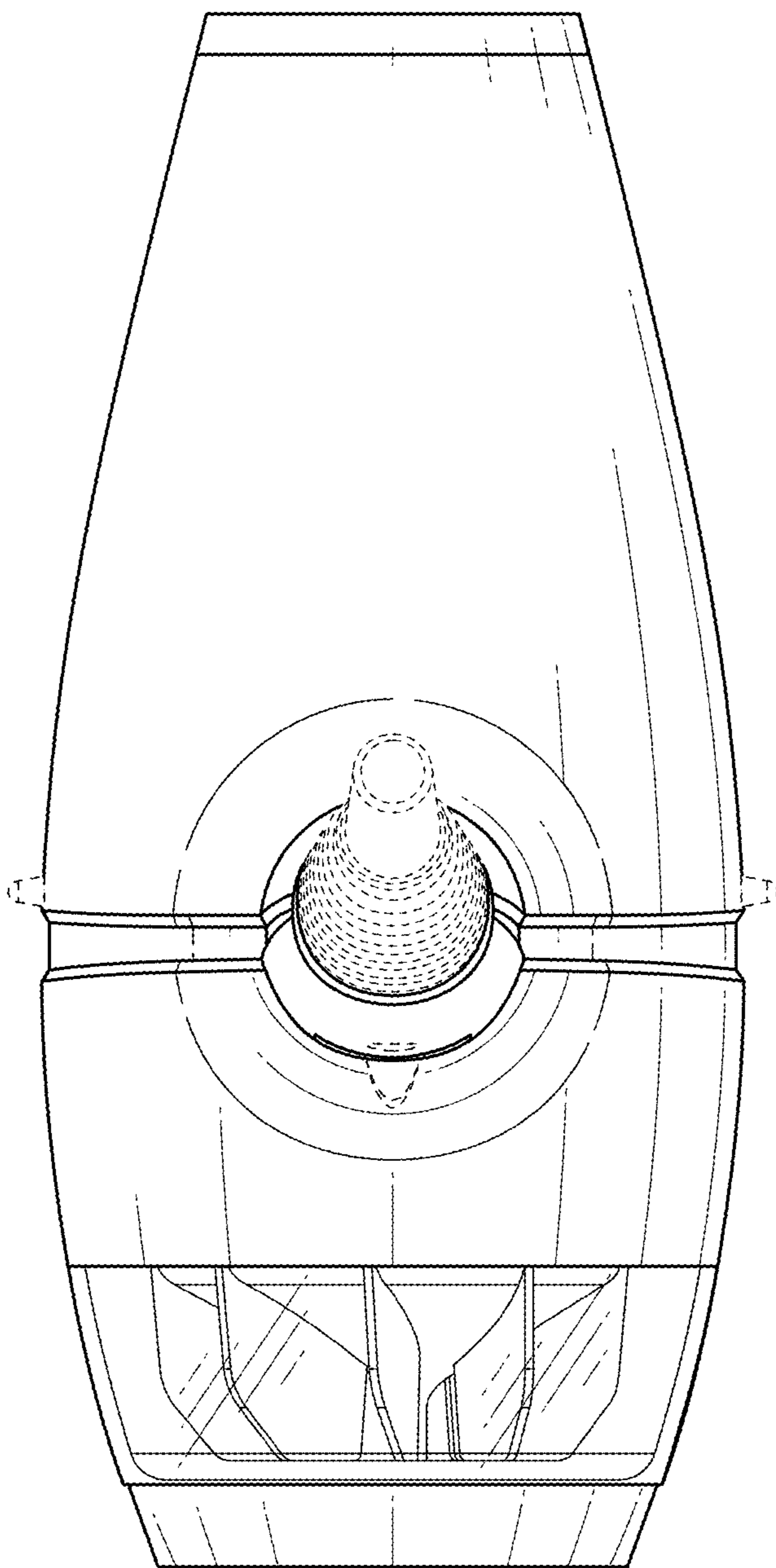


FIG. 7