



US00D943201S

(12) **United States Design Patent** (10) **Patent No.:** **US D943,201 S**
Liu (45) **Date of Patent:** **** Feb. 8, 2022**

(54) **HAIR DRYER**

D911,603 S * 2/2021 Wang D28/13
D914,972 S * 3/2021 Huang D28/13
D914,973 S * 3/2021 Huang D28/13

(71) Applicant: **Huifeng Liu**, Wuhan (CN)

(72) Inventor: **Huifeng Liu**, Wuhan (CN)

(**) Term: **15 Years**

(21) Appl. No.: **29/737,196**

(22) Filed: **Jun. 5, 2020**

(30) **Foreign Application Priority Data**

Jan. 10, 2020 (CN) 202030015004.3

(51) **LOC (13) Cl.** **28-03**

(52) **U.S. Cl.**
USPC **D28/13**

(58) **Field of Classification Search**
USPC D28/13, 10, 12, 15, 17, 18, 24, 25, 99;
D8/29.1
CPC A45D 20/122; A45D 20/12; A45D 20/08;
A45D 20/10; A45D 20/04; A45D 20/00;
F24H 3/0423; F24H 9/2064
See application file for complete search history.

(56) **References Cited**

U.S. PATENT DOCUMENTS

D426,022 S * 5/2000 Micinilio D28/13
D429,028 S * 8/2000 Muller D28/13
D469,574 S * 1/2003 Lai D28/13
D527,145 S * 8/2006 Zimmermann D28/13
D600,406 S * 9/2009 Leung D28/13
D627,098 S * 11/2010 Kim D28/13
D775,764 S * 1/2017 Prat-Pfister D28/13
10,485,320 B2 * 11/2019 Hsu A45D 20/12
D893,097 S * 8/2020 Huang D28/13
D894,484 S * 8/2020 Huang D28/13
D899,683 S * 10/2020 Brady D28/13
D899,684 S * 10/2020 Chen D28/13
D901,768 S * 11/2020 Ceva D28/13
D909,675 S * 2/2021 Huang D28/13

OTHER PUBLICATIONS

Hair Dryer By: Remington found on Amazon May 17, 2021
https://www.amazon.com/dp/B00MMRFUG8?ots=1&slotNum=0&imprToken=c6bcba0-a4ac-d2f2-be2&ascsubtag=Aug.28,2017.*

* cited by examiner

Primary Examiner — Rebecca Tsehaye
(74) *Attorney, Agent, or Firm* — ScienBiziP, P.C.

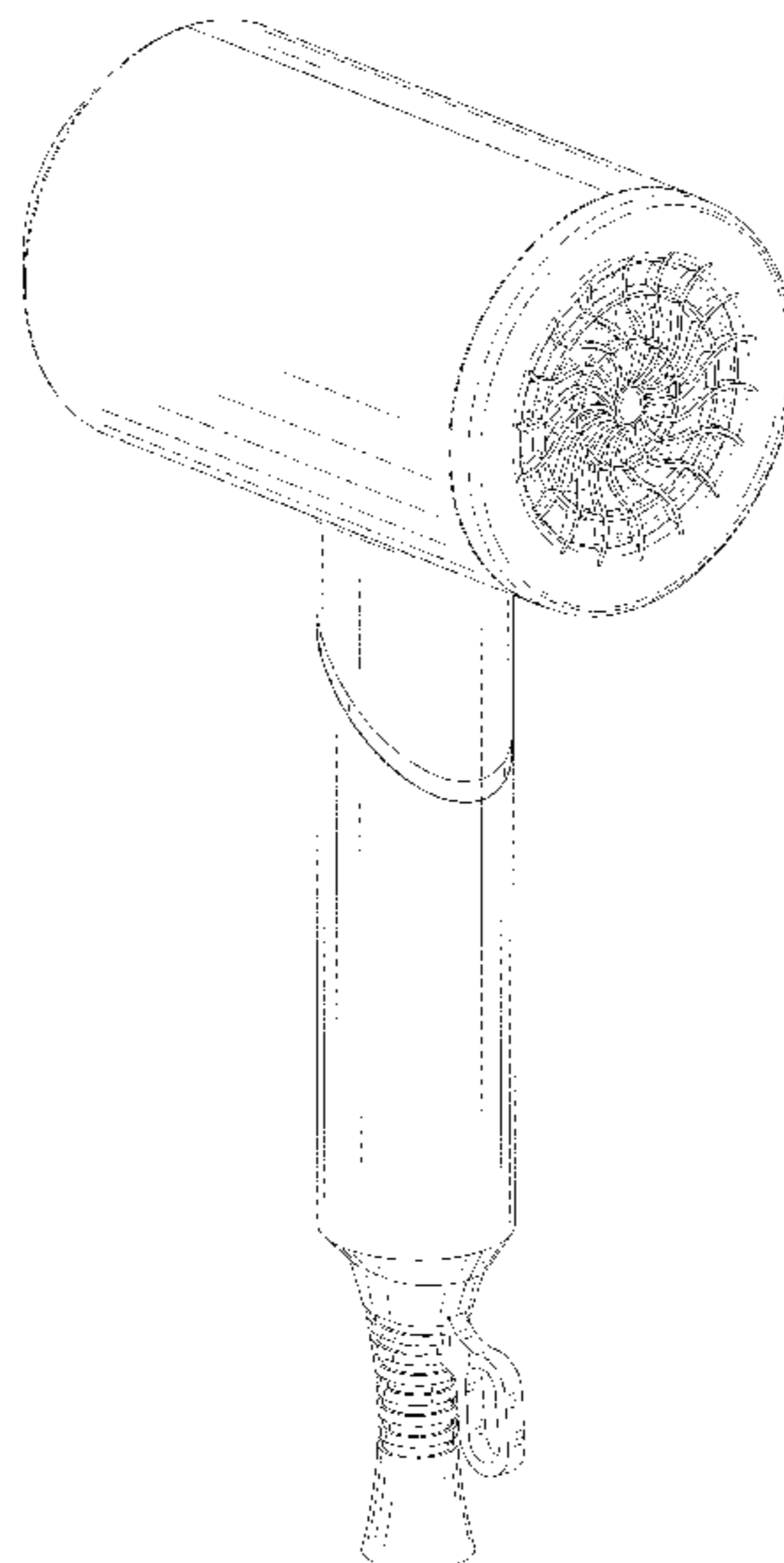
(57) **CLAIM**

The ornamental design for a hair dryer, as shown and described.

DESCRIPTION

FIG. 1 is a front and right perspective view of a hair dryer, showing my design;
FIG. 2 is a front and left perspective view thereof;
FIG. 3 is a front elevation view thereof;
FIG. 4 is a rear elevation view thereof;
FIG. 5 is a left side elevation view thereof;
FIG. 6 is a right side elevation view thereof;
FIG. 7 is a top plan view thereof;
FIG. 8 is a bottom plan view thereof;
FIG. 9 is a front perspective view of the hair dryer in a folded configuration;
FIG. 10 is a rear perspective view of the hair dryer in a folded configuration; and,
FIG. 11 is an enlarged view of an area labeled 11 in FIG. 2. The broken lines consisting of evenly spaced dash lines in the drawing depict portions of the hair dryer that form no part of the claimed design; The broken lines consisting of short and long dash lines encircling the enlarged detail views are for annotative purposes that form no part of the claimed design.

1 Claim, 11 Drawing Sheets



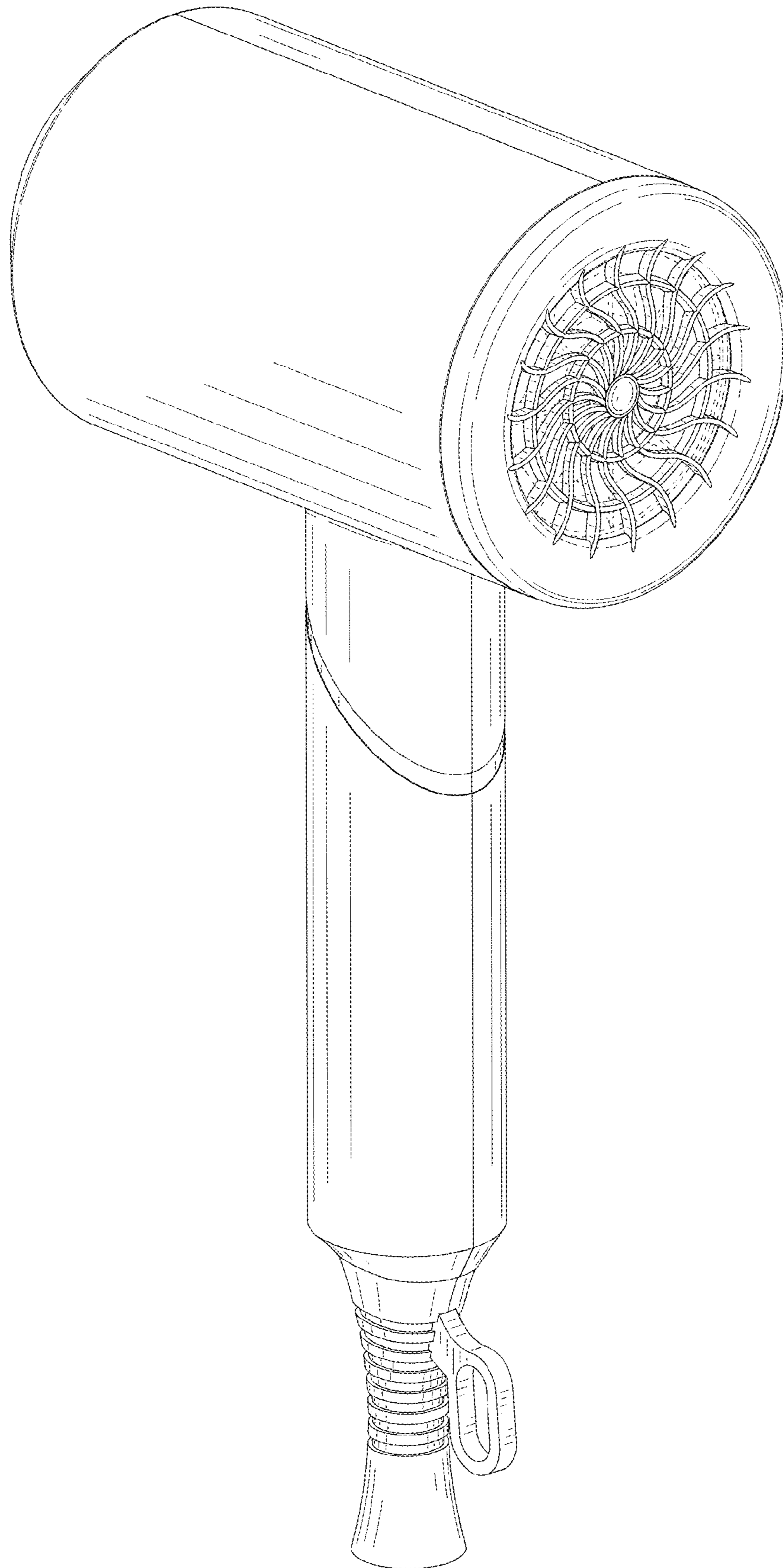
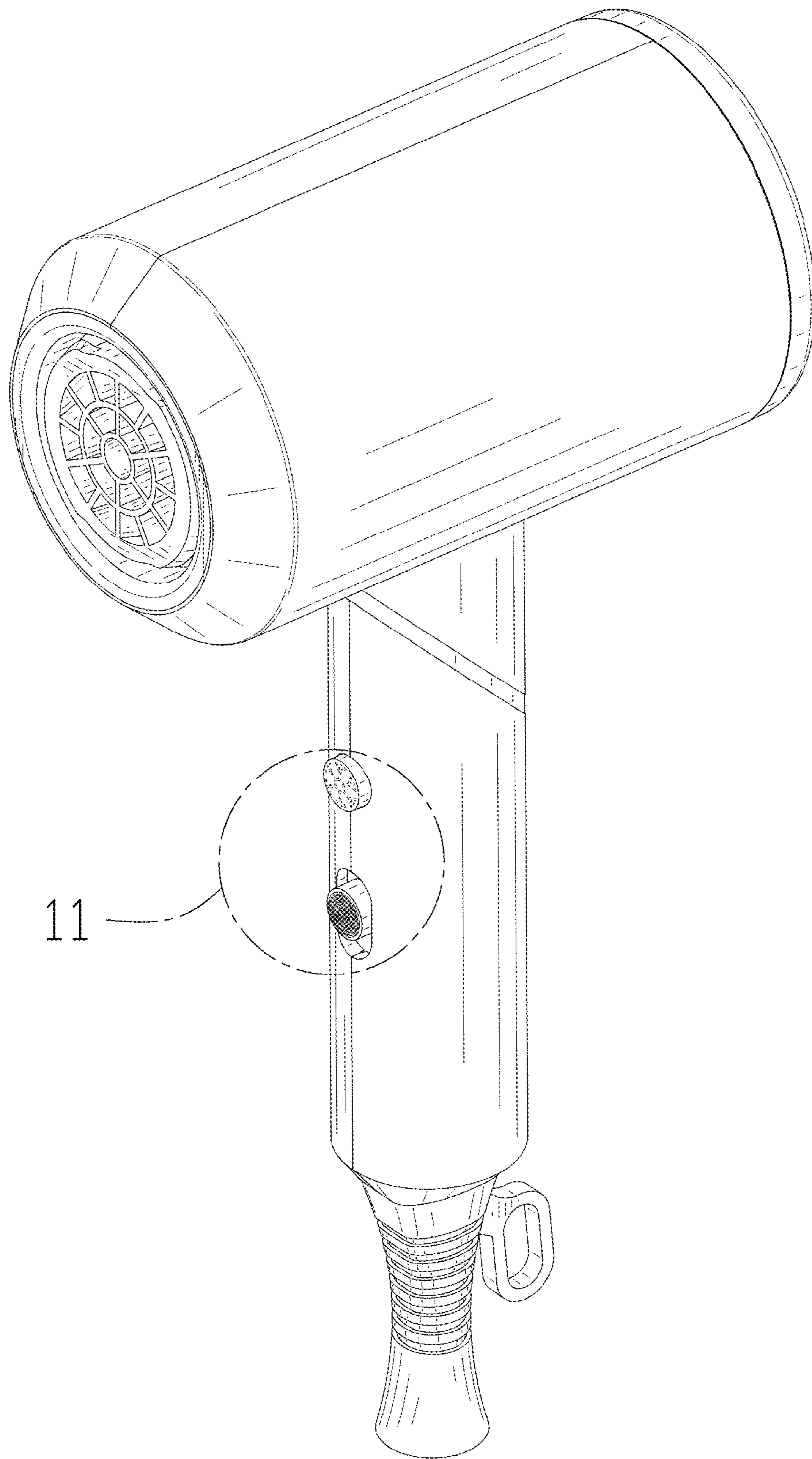


FIG. 1



11

FIG. 2

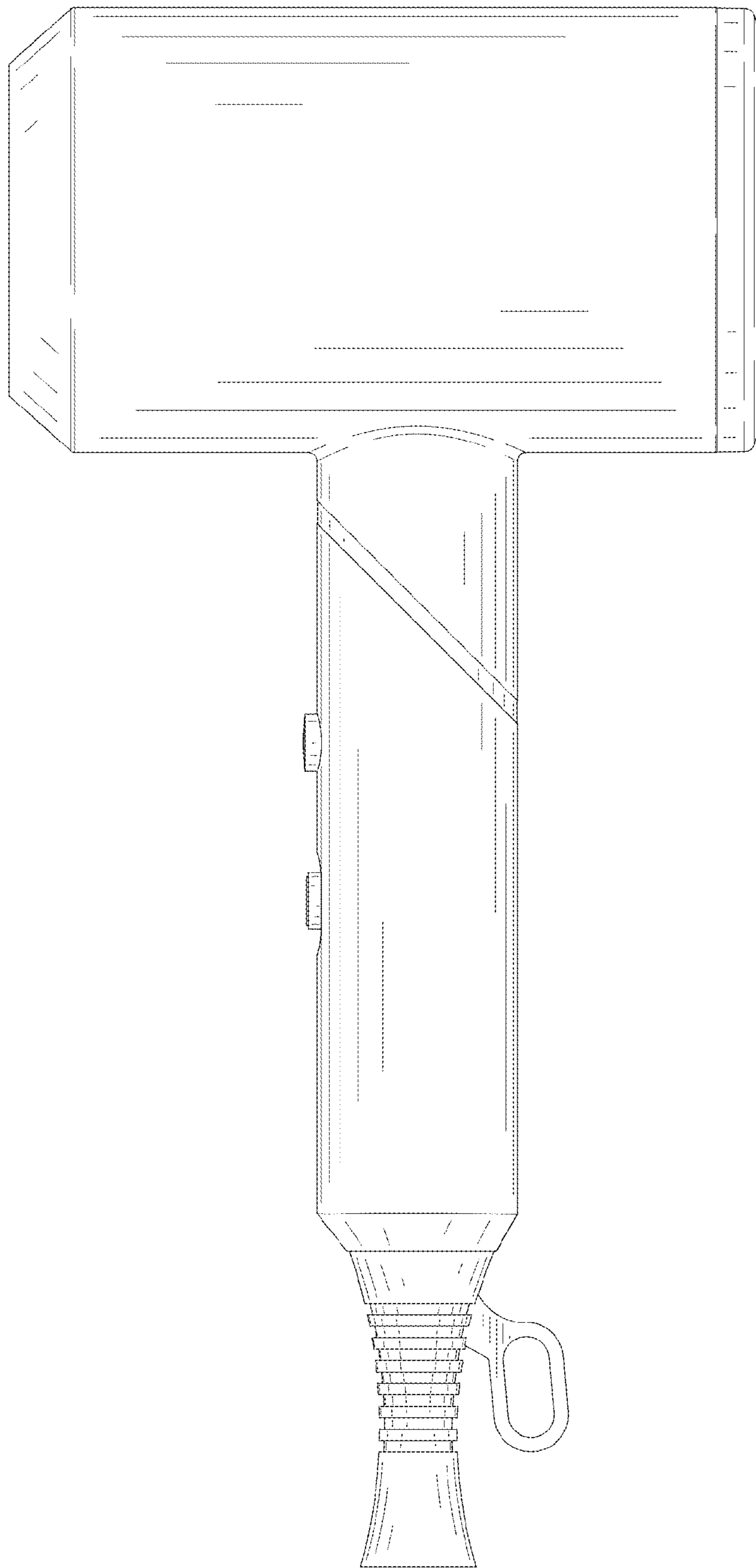


FIG. 3

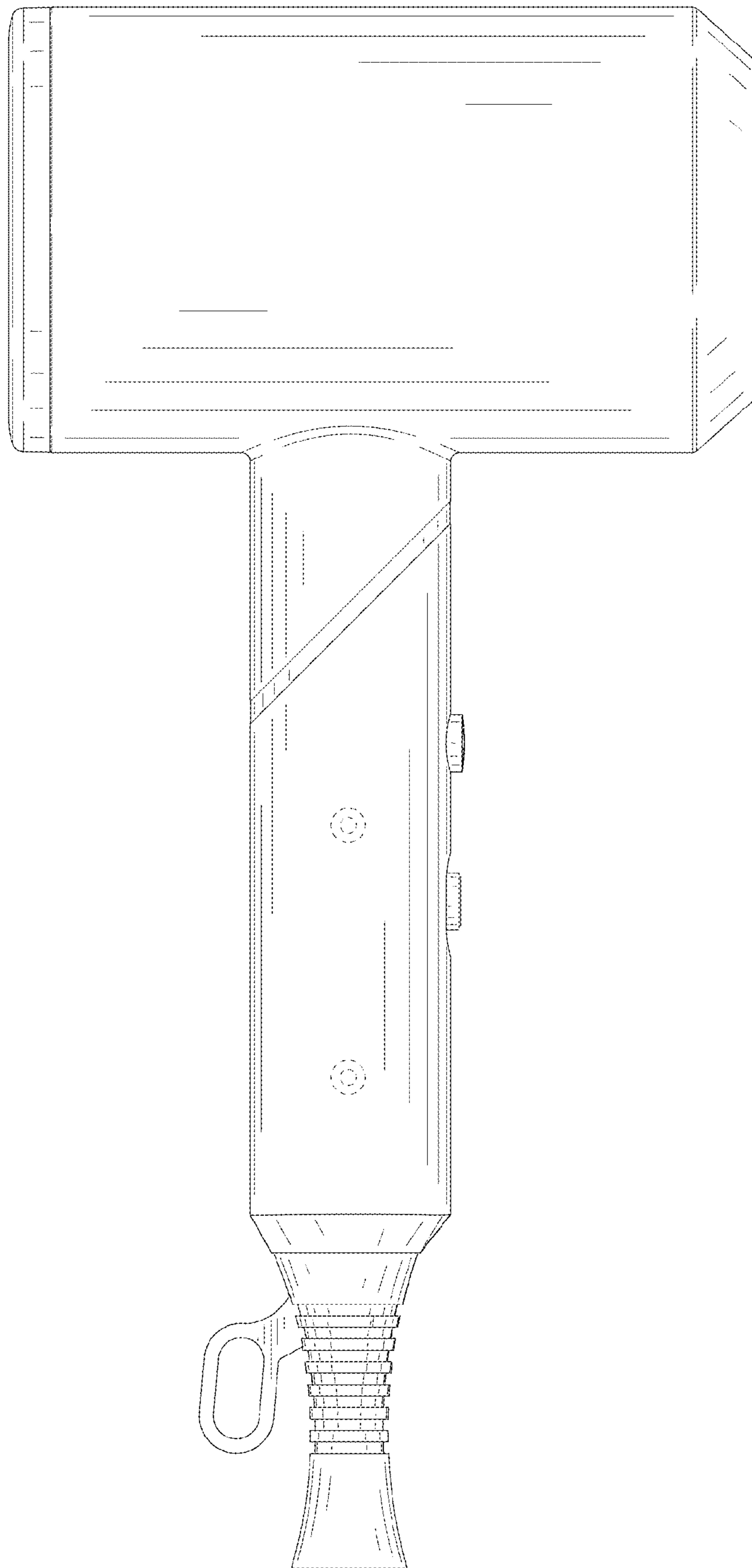


FIG. 4

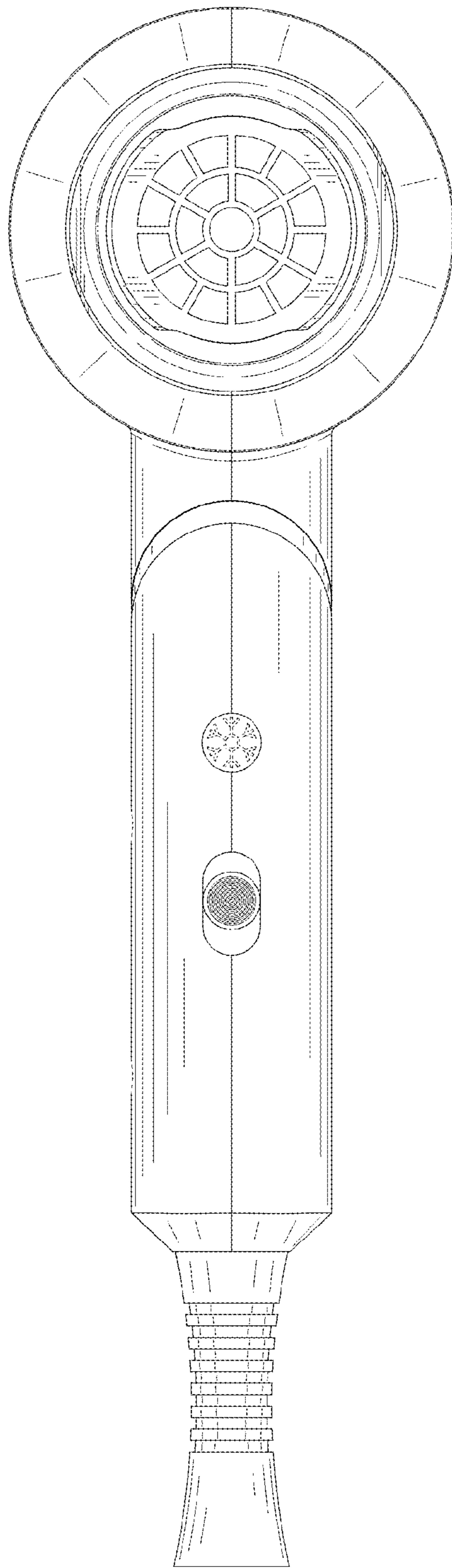


FIG. 5

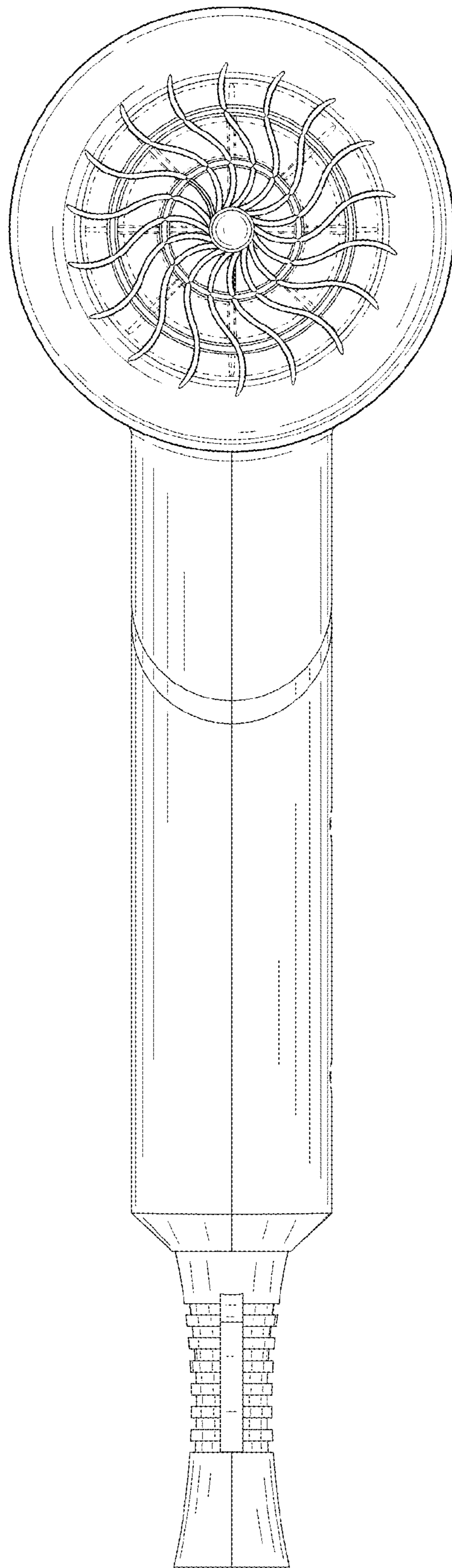


FIG. 6

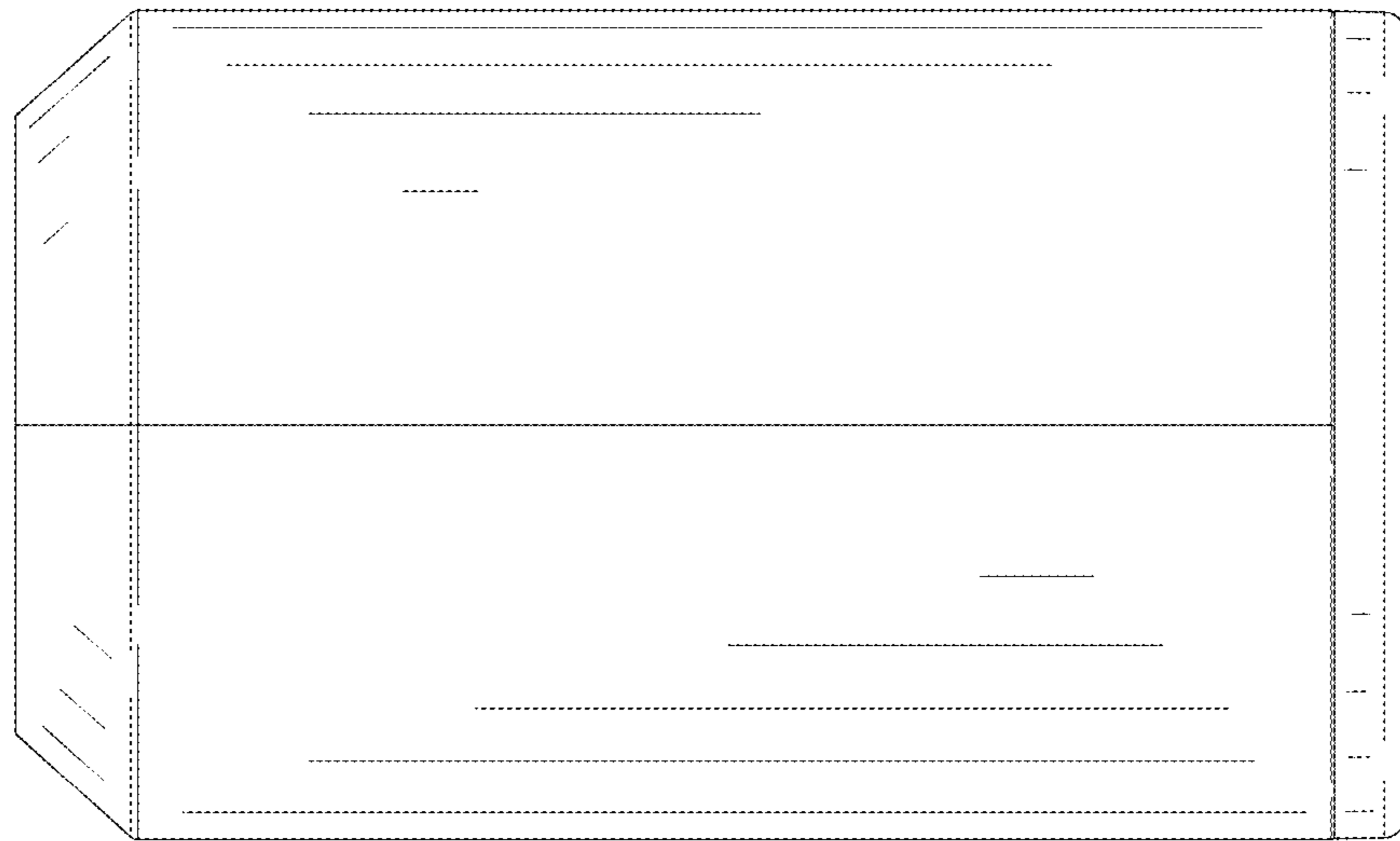


FIG. 7

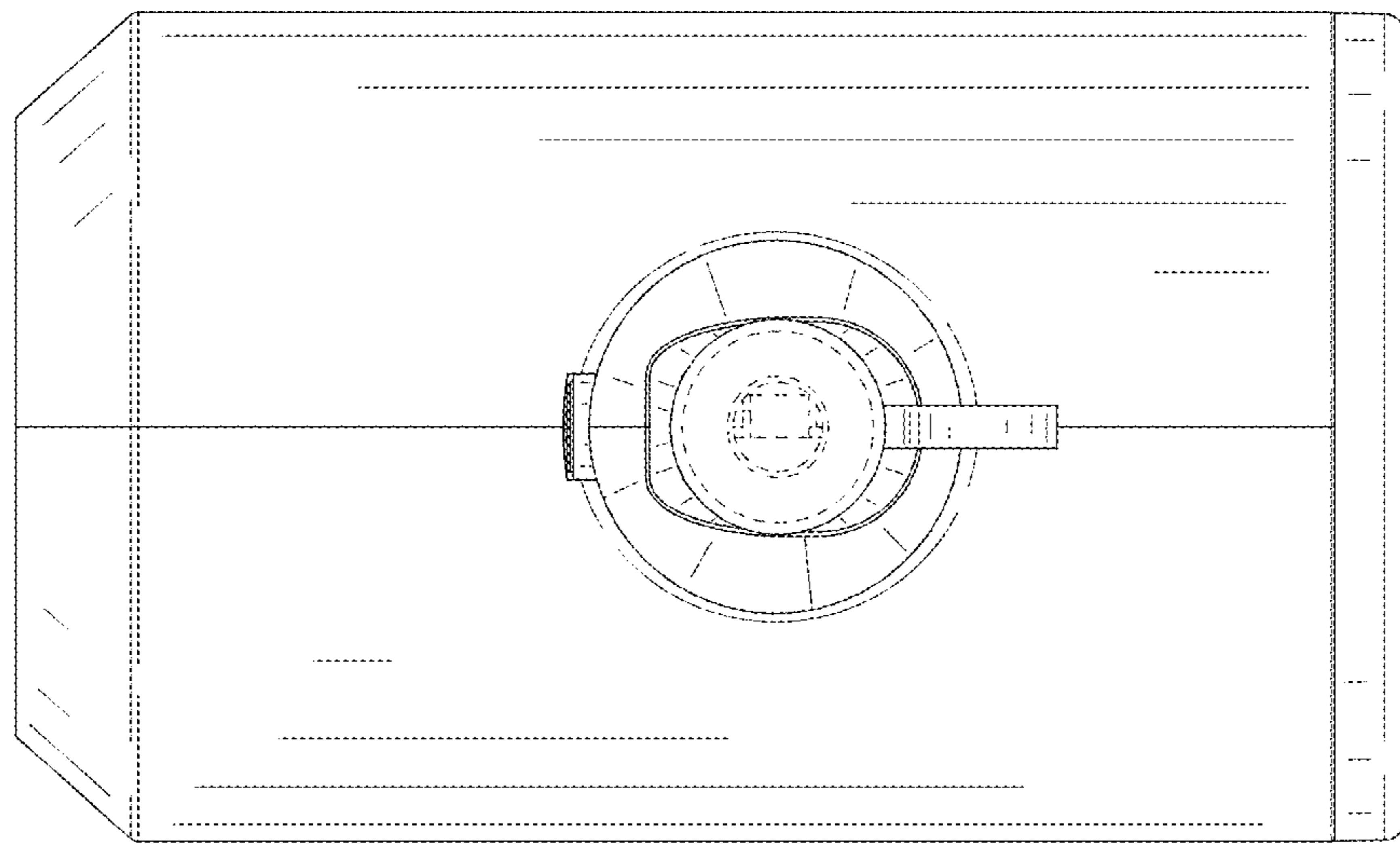


FIG. 8

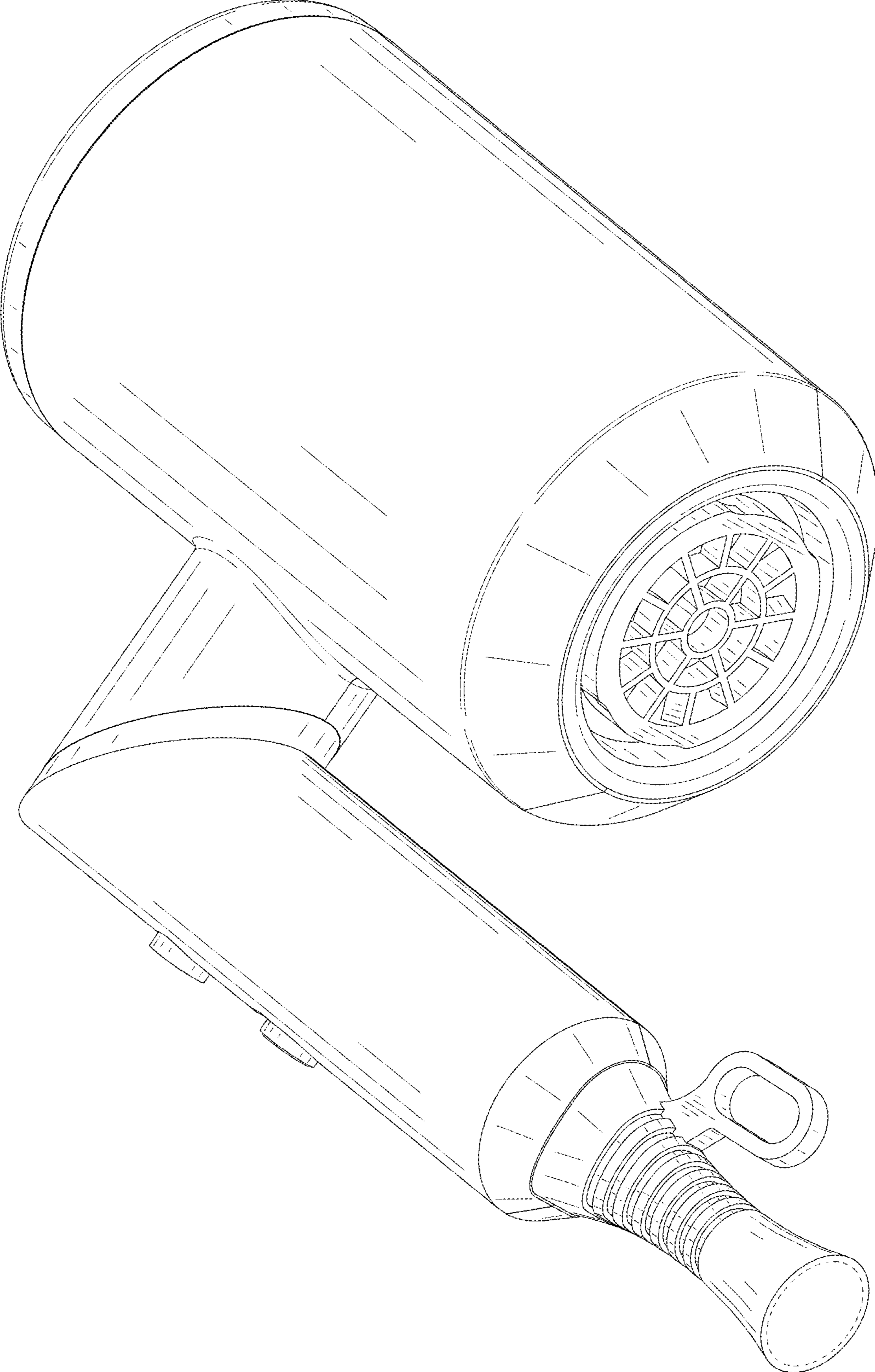


FIG. 9

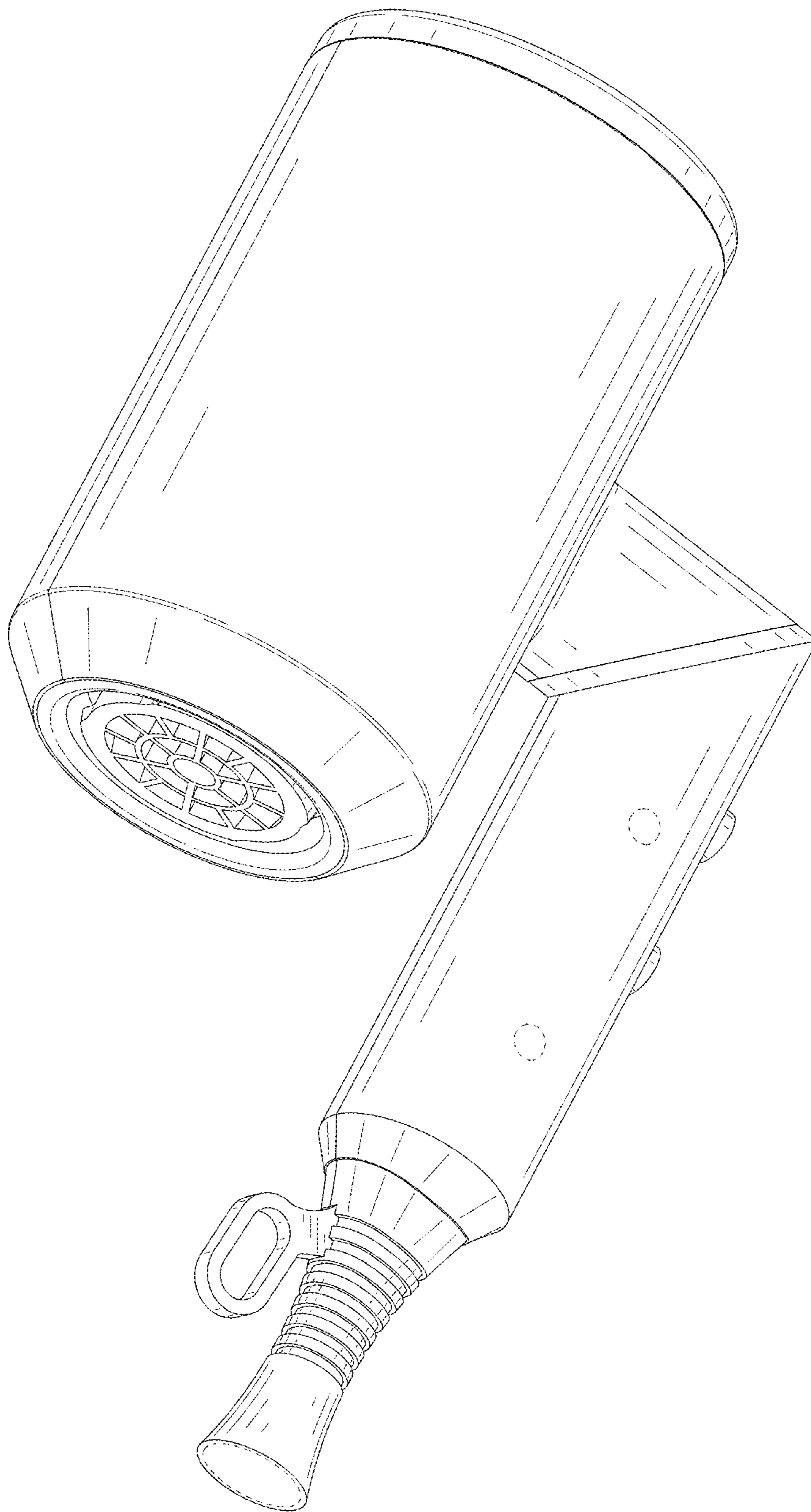


FIG. 10

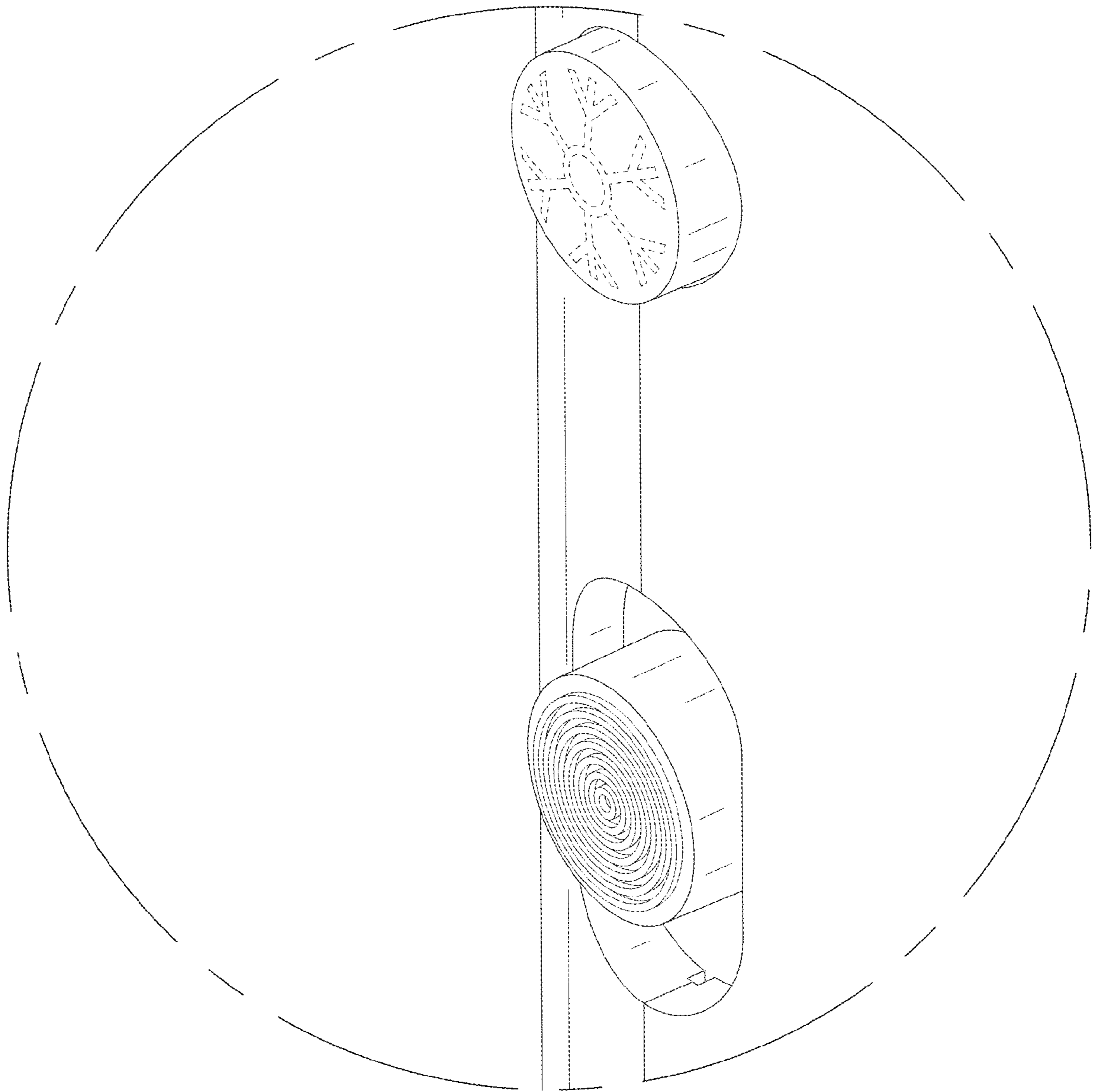


FIG. 11